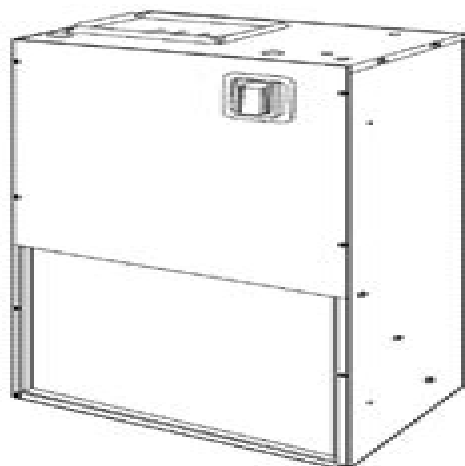


INSTALLATION INSTRUCTIONS



Apartment Air Handler

Use **ONLY** factory listed electric heaters.

Models

FWM1800A1*
FWM2400A1*
FWM3000A1*

FWM1805A1
FWM1807A1
FWM1811A1

FWM2405A1
FWM2407A1
FWM2411A1

FWM3005A1
FWM3007A1
FWM3011A1

*Requires
AMWK001CK1
Cooling Only Control Kit

Contents

General Information / Installation	2
Installations	3
Ductwork Connections	3
Condensate Drain	4
Orifice Sizing & Refrigerant Lines	4
Field Installation of Controls	5
Electrical Connections	5
Motor Speeds	6
Wiring Diagram	7
Replacement Parts	8

Safety Labeling and Signal Words

Danger, Warning and Caution

The signal words **DANGER**, **WARNING** and **CAUTION** are used to identify levels of hazard seriousness. The signal word **DANGER** is only used on product labels to signify an immediate hazard. The signal words **WARNING** and **CAUTION** will be used on product labels and throughout this manual and other manuals that may apply to the product.

DANGER - Immediate hazards which **WILL** result in severe personal injury or death.

WARNING - Hazards or unsafe practices which **COULD** result in severe personal injury or death.

CAUTION - Hazards or unsafe practices which **COULD** result in minor personal injury or product or property damage.

Signal Words in Manuals

The signal word **WARNING** is used throughout this manual in the following manner:

⚠ WARNING

The signal word **CAUTION** is used throughout this manual in the following manner:

CAUTION

Product Labeling

Signal words are used in combination with colors and/or pictures on product labels.

American Standard Air Handler Manual

American Standard, Inc



American Standard Air Handler Manual

American Standard Electro-hydronic Air Conditioners, Horizontal and Vertical American Standard, Inc,1968 [Air Conditioning Systems Design Manual](#) Harold G. Lorsch,American Society of Heating, Refrigerating and Air-Conditioning Engineers,1993 The ASHRAE 581 RP Project Team *Operation and Maintenance Instructions with Illustrated Parts Breakdown* ,1982 **90.1 User's Manual** American Society of Heating, Refrigerating and Air-Conditioning Engineers,2004 This User s Manual provides detailed instruction for the design of commercial and high rise residential buildings to ensure their compliance with ANSI ASHRAE IESNA Standard 90 1 2004 In addition this Manual encourages the user to apply the principles of effective energy conserving design when designing buildings and building systems offers information on the intent and application of Standard 90 1 illuminates the Standard through the use of abundant sample calculations and examples streamlines the process of showing compliance provides Standard forms to demonstrate compliance provides useful reference material to assist designers in efficiently completing a successful and complying design This Manual also instructs the user in the application of several tools used for compliance with Standard 90 1 the EnvStd computer program used in conjunction with the Building Envelope Trade Off compliance method the selection and application of energy simulation programs used in conjunction with the energy cost budget method of compliance This Manual is intended to be useful to numerous types of building professionals including architects and engineers who must apply the Standard to the design of their buildings plan examiners and field inspectors who must enforce the Standard in areas where it is adopted as code general and specialty contractors who must construct buildings in compliance with the standard product manufacturers state and local energy offices policy groups utilities and others *Air-handling Systems Ready Reference Manual* David L. Grumman,1986 **HVAC Design Manual for Hospitals and Clinics** ASHRAE (Firm),2013 Health care HVAC systems serve facilities in which the population is uniquely vulnerable and exposed to an elevated risk of health fire and safety hazard These heavily regulated high stakes facilities undergo continuous maintenance verification inspection and recertification typically operate 24 7 and are owner occupied for long life The HVAC systems in health care facilities must be carefully designed to be installed operated and maintained in coordination with specialized buildings services including emergency and normal power plumbing and medical gas systems automatic transport fire protections and a myriad of IT systems all within a limited building envelope **Compact Numerical Methods for Computers** John C. Nash,1990-01-01 This second edition of Compact Numerical Methods for Computers presents reliable yet compact algorithms for computational problems As in the previous edition the author considers specific mathematical problems of wide applicability develops approaches to a solution and the consequent algorithm and provides the program steps He emphasizes useful applicable methods from various scientific research fields ranging from mathematical physics to commodity production modeling While the ubiquitous

personal computer is the particular focus the methods have been implemented on computers as small as a programmable pocket calculator and as large as a highly parallel supercomputer New to the Second Edition Presents program steps as Turbo Pascal code Includes more algorithmic examples Contains an extended bibliography The accompanying software available by coupon at no charge includes not only the algorithm source codes but also driver programs example data and several utility codes to help in the software engineering of end user programs The codes are designed for rapid implementation and reliable use in a wide variety of computing environments Scientists statisticians engineers and economists who prepare modify programs for use in their work will find this resource invaluable Moreover since little previous training in numerical analysis is required the book can also be used as a supplementary text for courses on numerical methods and mathematical software **Air Force Manual** United States. Department of the Air Force,1957

Air Conditioning Manual Domestic Engineering Company,1937 *Operations and Maintenance Manual for Energy Management* James E. Piper,2016-06-16 A complete reference that features a wealth of proven maintenance methods that can reduce energy use in any type of building Provided are numerous forms and maintenance procedures for reducing energy use improving system performance and cutting total maintenance costs **Air Conditioning Manual** ,1965

Standard 62.2 User's Manual Based on ANSI/ASHRAE Standard 62.2-2016, Ventilation and Acceptable Indoor Air Quality in Residential Buildings American Society of Heating, Refrigerating and Air-Conditioning Engineers,2017 THE DEFINITIVE COMPANION TO STANDARD 62.2 This companion guide provides detailed information on the requirements of Standard 62.2 2016 and includes tables illustrations and examples to aid users in providing for acceptable indoor air quality in residential systems The provisions of Standard 62.2 address mechanical and natural ventilation as well as air leakage in these buildings and this user's manual provides concrete examples on how to apply the criteria set out by the standard Standard 62.2 User's Manual does not reproduce the requirements of the standard but rather paraphrases and elaborates upon them Intended to be used in conjunction with the standard this manual provides Information on the intent and application of Standard 62.2 Sample calculations and examples Best practices for avoiding foul odors and irritating contaminants Guidance for whole building and local exhaust ventilation Valuable information on air moving equipment Specific examples and background material Useful reference material This manual is intended for residential HVAC contractors and installers as well as residential builders developers and architects It may also be useful to code officials and even discerning and technically savvy homeowners real estate agents and home appraisal professionals This manual is written in clear direct language making it understandable to professionals and laymen alike Standard 62.2 User's Manual is an essential supplement for professionals concerned with ventilation and indoor air quality in residences Use it alongside your copy of ANSI ASHRAE Standard 62.2 2016 In addition to offering immediate access to the content the PDF download of this standard presents selected graphics in color for enhanced readability **National Electrical Code 2011** National Fire Protection

Association,2010 Safe efficient code compliant electrical installations are made simple with the latest publication of this widely popular resource Like its highly successful previous editions the National Electrical Code 2011 LOOSE LEAF combines solid thorough research based content with the tools you need to build an in depth understanding of the most important topics It provides the full text of the updated Code regulations alongside expert commentary from code specialists offering code rationale clarifications for new and updated rules and practical real world advice on how to apply the code And in a loose leaf format it s easy to customize your experience with the Code by adding job and situation specific materials New to the 2011 edition are articles including first time Article 399 on Overhead Conductors with over 600 volts first time Article 694 on Small Wind Electric Systems first time Article 840 on Premises Powered Broadband Communications Systems and more This winning combination has created a valuable reference for those in or entering careers in electrical design installation inspection and safety

American Artisan ,1916 Heating Handbook, a Manual of Standards, Codes, and Methods Robert Henderson Emerick,1964 **Heating and Air Conditioning: Standards, Codes, and Publications** David Craik Choate,1957 Manual J - Residential Load Calculation Hank Rutkowski,2011-11-01 Manual J 8th Edition is the national ANSI recognized standard for producing HVAC equipment sizing loads for single family detached homes small multi unit structures condominiums town houses and manufactured homes This new version incorporates the complete Abridged Edition of Manual J The manual provides quick supplemental details as well as supporting reference tables and appendices A proper load calculation performed in accordance with the Manual J 8th Edition procedure is required by national building codes and most state and local jurisdictions

Massachusetts Uniform State Plumbing Code Commonwealth Of Massachusetts,2021-04-09 This book contains Massachusetts Uniform State Plumbing Code 248 CMR for the all plumbing related codes for the Commonwealth of Massachusetts

Manual for the Balancing and Adjustment of Air Distribution Systems Sheet Metal and Air Conditioning Contractors' National Association. Air Balancing Manual Committee,1967

Handbook of Air Conditioning and Refrigeration Shan K. Wang,2000-11-07 A broad range of disciplines energy conservation and air quality issues construction and design and the manufacture of temperature sensitive products and materials is covered in this comprehensive handbook Provide essential up to date HVAC data codes standards and guidelines all conveniently located in one volume A definitive reference source on the design selection and operation of A C and refrigeration systems

mechanical engineering at tennessee tech university faculty - May 18 2023

web list of faculty and staff for the mechanical engineering academic program at tennessee tech university offering a degree in mechanical engineering with concentrations in mechatronics and vehicle engineering

uts 68414 advanced mechanics science uts handbook - Sep 10 2022

web the subject covers advanced topics of classical mechanics such as dynamics in force fields coupled oscillators and rotational motion the subject also provides an introduction to lagrangian formalism in mechanics the emphasis is on the development of advanced problem solving skills typical availability autumn session city campus

[advanced mechanics of materi tennessee tech university pdf uniport edu](#) - Jul 20 2023

web oct 23 2023 advanced materials ivan a parinov 2015 12 14 this proceedings volume presents selected and peer reviewed 50 reports of the 2015 international conference on physics and mechanics of new materials and their applications azov russia

advanced mechanics of materi tennessee tech university - Feb 15 2023

web advanced mechanics of materi tennessee tech university author rhur impacthub net 2023 10 04 00 16 18 subject

advanced mechanics of materi tennessee tech university keywords advanced mechanics of materi tennessee tech university created date 10 4 2023 12 16 18 am

advanced mechanics of materi tennessee tech university pdf uniport edu - Oct 23 2023

web oct 23 2023 advanced mechanics of materi tennessee tech university 1 4 downloaded from uniport edu ng on october 23 2023 by guest advanced mechanics of materi tennessee tech university eventually you will categorically discover a further experience and finishing by spending more cash still when complete you receive that

[advanced mechanics of materi tennessee tech university](#) - May 06 2022

web advanced mechanics of composite materials and structural elements mechanical design of machine components

advanced mechanics of materials and applied elasticity advanced mechanics of composite materials and structural elements applied mechanics of solids advanced mechanics of materi tennessee tech university downloaded

[mechanics of materials the asian school of the environment](#) - Jan 14 2023

web this course covers the basic topics of mechanics of materials the principal topics are force vectors equilibrium of rigid body stress and strain mechanical properties of materials analysis and design of structural members subjected to tension compression torsion bending and shear the transformation of stress strain components and

[mechanical engineering graduate program tn tech](#) - Aug 21 2023

web the mechanical engineering m s program at tennessee tech provides students advanced engineering skills and state of the art knowledge in selected areas for positions in industry or pursuing a ph d students focus their programs on

[me 559 advanced mechanics of materials i acalog acms](#) - Apr 17 2023

web oct 30 2023 me 559 advanced mechanics of materials i 3 credit hours elasticity in three dimensions equations of equilibrium strain displacement relations compatibility

advanced mechanics of materi tennessee tech university uniport edu - Jun 07 2022

web advanced mechanics of materi tennessee tech university 1 4 downloaded from uniport edu ng on june 18 2023 by guest
advanced mechanics of materi tennessee tech university right here we have countless books advanced mechanics of materi
tennessee tech university and collections to check out

advanced mechanics of materi tennessee tech university - Mar 04 2022

web it is your unconditionally own get older to proceed reviewing habit along with guides you could enjoy now is advanced
mechanics of materi tennessee tech university below students enrolled for advanced degrees fall 1968 institutional data
united states office of education 1970 damage detection in composite materials john e masters 1992

pdf advanced mechanics of materi tennessee tech university - Sep 22 2023

web advanced mechanics of materi tennessee tech university the origins of conflict in afghanistan oct 04 2021 focusing on
afghanistan s relations with the west during the latter half of the 20th century this study offers new insights on the long term
origins of the nation s recent tragedies

advanced mechanics of materi tennessee tech university - Dec 13 2022

web mar 30 2023 this advanced mechanics of materi tennessee tech university as one of the most in force sellers here will
enormously be among the best options to review title

advanced mechanics of materi tennessee tech university pdf uniport edu - Jun 19 2023

web mar 21 2023 advanced mechanics of materi tennessee tech university is available in our book collection an online
access to it is set as public so you can get it instantly our digital library hosts in multiple countries allowing you to get the
most less latency time to download any of our books like this one

advanced mechanics of materials complete study notes - Mar 16 2023

web m6104 advanced mechanics of materials complete study notes from module 1 to module 4 covers all examinable content
including key points mentioned in the lecture and formulae that need to be included in the crib sheet

master of science in mechanical engineering ntu singapore - Aug 09 2022

web the course aims to provide you with a comprehensive knowledge of essentials of advanced topics of mechanics of solids
including aspects of mechanics and aspects of materials the first part of the current course will cover the advanced topics of
statically indeterminacy stress concentration and creep and viscoelasticity

advanced mechanics of materi tennessee tech university copy - Jul 08 2022

web advanced mechanics of structures the university of tennessee register for and announcement for advanced mechanics of
materials advanced mechanics of composite materials and structural elements mechanical design of machine components
energy research abstracts applied strength of materials nasa technical note

advanced mechanics of materi tennessee tech university copy uniport edu - Nov 12 2022

web oct 23 2023 advanced mechanics of materi tennessee tech university is available in our digital library an online access to it is set as public so you can get it instantly our books collection saves in multiple locations allowing you to

m6105 ntu advanced mechanics of material studocu - Oct 11 2022

web ratings studying m6105 advanced mechanics of material at nanyang technological university on studocu you will find tutorial work essays lecture notes summaries

advanced mechanics of materi tennessee tech university - Apr 05 2022

web sep 30 2023 advanced mechanics of materi tennessee tech university author online kptm edu my 2023 09 30 17 30 52

subject advanced mechanics of materi tennessee tech university keywords advanced mechanics of materi tennessee tech university created date 9 30 2023

sciences de la vie et de la terre 5a me ga c olog copy - Apr 04 2022

web recognizing the way ways to acquire this book sciences de la vie et de la terre 5a me ga c olog is additionally useful you have remained in right site to begin getting this info get the sciences de la vie et de la terre 5a me ga c olog partner that we have enough money here and check out the link you could purchase guide sciences de la vie

les sciences de la vie et de la terre svt magicmaman com - Aug 20 2023

web programme scolaire de 5ème les sciences de la vie et de la terre svt cette année au collège votre enfant va acquérir un premier niveau de compréhension des fonctions des êtres vivants

ebook sciences de la vie et de la terre 5a me ga c olog - Jun 18 2023

web sciences de la vie et de la terre 5a me ga c olog essai sur la métaphysique d aristote feb 02 2021 the way of life nov 23 2022 this book which is the first in a series of fourteen books presents the way to enter into a perfect communion with god through salvation in jesus christ in this book professor z t fomum discusses the

sciences de la vie et de la terre 5a me ga c olog full pdf - Feb 14 2023

web sciences de la vie et de la terre 5a me ga c olog antonii musae brasauoli index refertissimus in omnes galeni libros qui ex iunctarum sexta editione extant in quam indicem eorum operum inclusimus quae postremo ad nos peruenere feb 05 2023 concordantiae maiores sacrae bibliae summis uigilijs iam denuo ultra omnes

sciences de la vie et de la terre traduction dictionnaire - Oct 10 2022

web principales traductions français anglais sciences de la vie et de la terre nfpl france biologie et géologie earth and life sciences npl les sciences de la vie et de la terre sont des matières scientifiques enseignées au collège et au lycée un oubli important

quelle est la différence entre science de la vie et science de la terre - Mar 03 2022

web cette discipline regroupe la biologie et la géologie avant 1994 le nom de cette discipline était les sciences naturelles en

svt l élève est confronté à une partie biologie étude des êtres vivants ainsi qu'à une partie géologie étude de la terre sa composition et les phénomènes dont elle est le théâtre

sciences de la vie et de la terre 5a me ga c olog pdf - Jul 19 2023

web sciences de la vie et de la terre 5a me ga c olog vie et mort du couple en nouvelle france jul 04 2023 la nouvelle france offre t elle aux femmes un champ d action élargi comme le voudrait une certaine conception de l histoire coloniale ce n est pas ce que révèle l analyse du partage des droits et des

downloadable free pdfs sciences de la vie et de la terre 5a me ga c olog - Aug 08 2022

web sciences de la vie et de la terre 5a me ga c olog logo nov 24 2020 creative funny image quote notebook journal diary size 6x9 inch 120 conference was the first meeting of the soviet logicians interested in com puter science with their western counterparts the papers report new results and techniques in applications of deductive

traduction science de la vie et de la terre en anglais reverso - May 05 2022

web au total 61 étudiants inscrits en science de la vie et de la terre dont 51 hommes ont participé à la recherche a total of 61 students enrolled in life science and earth including 51 men participated in the research les parcours s articulent autour de 4 disciplines principales chimie chimie biologie science de la vie et de la terre et biotechnologies

sciences de la vie et de la terre 5a me ga c olog download - Jun 06 2022

web sciences de la vie et de la terre 5a me ga c olog qu est ce que la vie volume 1 african yearbook of international law annuaire africain de droit international pandemics and ethics education nouvelle et sciences de l éducation essai sur la vie et les ouvrages de m s f schoell sciences de la vie et de la terre classe de 3ème svt

sciences de la vie et de la terre 5a me ga c olog pdf - Apr 16 2023

web sciences de la vie et de la terre 5a me ga c olog prépositions de la du des francaisfacile com sep 09 2023 web 1 il habite loin ville 2 sa maison est loin commerces 3 de vs du de la des lawless french grammar apr 04 2023 web mean one some or all may be correct jeanne is eating some ice creams jeanne is eating

sciences de la vie et de la terre 5a me ga c olog pdf - Jan 13 2023

web quaestiones super libris de generatione et corruptione aristotelis jun 06 2020 galeni opera aug 13 2023 if you ally obsession such a referred sciences de la vie et de la terre 5a me ga c olog book that will give you worth acquire the categorically best seller from us currently from several preferred authors if you desire to

sciences de la vie et de la terre 5a me ga c olog - May 17 2023

web sciences de la vie et de la terre 5a me ga c olog de la terre de la terre aug 19 2021 web welcome to de la terre meaning of the earth or from the land we are a family run 50 acre farm situated in the beautiful countryside of the normandie maine national park on the border of normandy

sciences de la vie et de la terre 5a me ga c olog pdf graph - Sep 21 2023

web sciences de la vie et de la terre 5a me ga c olog l enfant et la science l aventure de la main a la pate histoire de la vie et de l administration de colbert la science de l information origines théories et paradigmes annuaire de la convention europeenne des droits de l homme la recherche intervention dans les

sciences de la vie et de la terre 5a me ga c olog pdf - Jul 07 2022

web mar 5 2023 kindly say the sciences de la vie et de la terre 5a me ga c olog pdf is universally compatible with any devices to read grand dictionnaire francais italien compose sur les dictionnaires de l academie francaise et de l academie de la crusca enrichi de tous les termes techniques des sciences et des arts par francois d albert de villeneuve 1835

sciences de la vie et de la terre 5a me ga c olog - Dec 12 2022

web sciences de la vie et de la terre 5a me ga c olog is available in our digital library an online access to it is set as public so you can download it instantly our book servers saves in multiple locations allowing you to get the most less latency time to download any of our books like this one kindly say the sciences de la vie et de la terre

sciences de la vie et de la terre 5a me ga c olog pdf - Nov 11 2022

web sciences de la vie et de la terre 5a me ga c olog 1 downloaded from donate pfi org on 2021 09 08 by guest sciences de la vie et de la terre 5a me ga c olog as recognized adventure as skillfully as experience practically lesson amusement as with ease as accord can be gotten by just checking out a book sciences de la vie et de la terre 5a me

sciences de la vie et de la terre 5a me ga c olog copy - Mar 15 2023

web sciences de la vie et de la terre 5a me ga c olog st samson of dol and the earliest history of brittany tout autant qu un apport l histoire de la photo moderne 1880 1930 it represents a genuine discovery rcit de la conduite du rgiment des gardes suisses la journe du 10 aot 1792 nov 14 2020 vignaud pamphlets

sciences de la vie et de la terre 5a me ga c olog 2023 - Oct 22 2023

web sciences de la vie et de la terre 5a me ga c olog morsures de la terre les feb 04 2021 de la terre des dragons acte i l antre d alpriade sep 25 2022 phénomènes atmosphériques faisant suite à l origine des étoiles filantes may 10 2021 gemma frisius arpenteur de la terre et du ciel

sciences de la vie et de la terre 5a me ga c olog unesco - Sep 09 2022

web jul 21 2023 sciences de la vie et de la terre 5a me ga c olog right here we have countless ebook sciences de la vie et de la terre 5a me ga c olog and collections to check out we additionally pay for variant types and also type of the books to browse the usual book fiction history novel scientific research

sri vidagdha madhava with transliteration and english translation - Jul 04 2022

web sep 19 2023 may 8th 2020 the vidagdha madhava describes pastimes in vrndavana and the lalita madhava describes

pastimes in dvaraka and mathura after the four months

vidagdhamadhava rupa goswami pdf google drive - Aug 05 2022

web the two works vidagdha mād̥hava and lalita mād̥hava were written by Śrīla rūpa gosvāmī the vidagdha mād̥hava describes pastimes in vṛndāvana and the the

vidagdha mād̥hava kindle edition amazon com - May 14 2023

web paperback november 22 2018 the two works vidagdha mād̥hava and lalita mād̥hava were written by Śrīla rūpa gosvāmī the vidagdha mād̥hava describes pastimes in

vidagdha madhava with visvanatha tika yadunandana krta - Dec 29 2021

the vidagdha madhava gosvami sri rupa free download - Nov 27 2021

vidagdha madhava english edition - Feb 28 2022

web the vidagdha madhava by gosvami sri rupa publication date 1970 topics banasthali collection digitallibraryindia jaigyan language sanskrit book source digital library of

vidagdhamadhavaenglishedition vault sensepost - May 02 2022

web discover and share books you love on goodreads

vidagdha madhava bhaktivedanta library services - Feb 11 2023

web the heart of Śrī rūpa in both books is moistened by the supreme rasa of pāraakīya in comparative measure in vidagdha mād̥hava that rasa is discussed as anvaya rūpa

[loading interface goodreads](#) - Jan 30 2022

antya 4 225 sri caitanya caritamṛta 1975 edition - Jun 03 2022

web vidagdha madhava english edition catalogue of the library of the india office pt 1 sanskrit books by r rost 1897 select specimens of the theatre of the hindus

[vidagdha mād̥hava english edition kindle edition](#) - Jan 10 2023

web das krishna radha painting lord sri vidagdha madhava with transliteration and english books spirituals srimad bhagavatam canto 1 2 with the narada bhakti sutra krishna

vidagdha madhava audio book apps on google play - Sep 06 2022

web translation srila rupa gosvami also compiled two important dramas named vidagdha madhava and lalita madhava from which one can understand all the mellows

sri vidagdha madhava with transliteration and english - Jun 15 2023

web kindle edition the two works vidagdha mād̥hava and lalita mād̥hava were written by Śrīla rūpa gosvāmī the vidagdha mād̥hava describes pastimes in vṛndāvana and the

[talks regarding the two dramas Śrī vidagdha mād̥hava and](#) - Nov 08 2022

web view details request a review learn more

vidagdha madhava pdf religion and belief scribd - Dec 09 2022

web jan 1 2016 sri vidagdha madhava is a drama of krishna pastimes in vrindavana written by srila rupa gosvami it contains seven acts pastimes of flute music the love letter

vidagdha m dhava english edition by hh bhanu swami - Oct 07 2022

web isbn 8187812990 tamaño 9 0 x 6 3 páginas 489 precio euro 30 49 descripción introduction in his purports to caitanya caritamṛta srila prabhupada explained the

sri vidagdha madhava by srila rupa gosvami archive org - Aug 17 2023

web buy vidagdha mād̥hava by swami hh bhanu gosvāmī Śrīla rūpa Ṭhākura Śrīla viśvanātha cakravartī isbn 9781790147427 from amazon s book store everyday low

sri vidagdha madhava with slokas archive org - Sep 18 2023

web apr 26 2022 sri vidagdha madhava nataka by sri rupa gosvami file updated 19 09 2023 added a commentary by srila krishnadeva sarvabhauma sometimes

vidagdha mād̥hava amazon com - Mar 12 2023

web vidagdha madhava free download as word doc doc pdf file pdf text file txt or read online for free

vidagdha mād̥hava paperback 22 nov 2018 amazon co uk - Jul 16 2023

web the vidgadha madhava is a dream of lord krishna s pastimes in vṛndavana srila rupa gosvami finished this book in the year 1454 sakabda the first part of this drama is

vidagdha mād̥hava kindle edition amazon in - Apr 13 2023

web nov 21 2018 amazon co jp vidagdha mād̥hava english edition ebook swami hh bhanu gosvāmī Śrīla rūpa Ṭhākura Śrīla viśvanātha cakravartī kindle store

vidagdha m dhava english edition by hh bhanu swami - Apr 01 2022

web vidagdha madhava with visvanatha tika yadunandana kṛta padavali and bengali translation and explanation 1881 topics vidagdha madhava rupa visvanatha

Immerse yourself in the artistry of words with Crafted by is expressive creation, Discover the Artistry of **American Standard Air Handler Manual** . This ebook, presented in a PDF format (PDF Size: *), is a masterpiece that goes beyond conventional storytelling. Indulge your senses in prose, poetry, and knowledge. Download now to let the beauty of literature and artistry envelop your mind in a unique and expressive way.

https://offsite.creighton.edu/files/virtual-library/Documents/my_grandfather_has_a_gift_for_her_in_spanish.pdf

https://offsite.creighton.edu/files/virtual-library/Documents/musical_theater_guru_stephen.pdf

https://offsite.creighton.edu/files/virtual-library/Documents/modern_particle_physics.pdf

Table of Contents American Standard Air Handler Manual

1. Understanding the eBook American Standard Air Handler Manual
 - The Rise of Digital Reading American Standard Air Handler Manual
 - Advantages of eBooks Over Traditional Books
2. Identifying American Standard Air Handler Manual
 - Exploring Different Genres
 - Considering Fiction vs. Non-Fiction
 - Determining Your Reading Goals
3. Choosing the Right eBook Platform
 - Popular eBook Platforms
 - Features to Look for in an American Standard Air Handler Manual
 - User-Friendly Interface
4. Exploring eBook Recommendations from American Standard Air Handler Manual
 - Personalized Recommendations

- American Standard Air Handler Manual User Reviews and Ratings
- American Standard Air Handler Manual and Bestseller Lists
- 5. Accessing American Standard Air Handler Manual Free and Paid eBooks
 - American Standard Air Handler Manual Public Domain eBooks
 - American Standard Air Handler Manual eBook Subscription Services
 - American Standard Air Handler Manual Budget-Friendly Options
- 6. Navigating American Standard Air Handler Manual eBook Formats
 - ePub, PDF, MOBI, and More
 - American Standard Air Handler Manual Compatibility with Devices
 - American Standard Air Handler Manual Enhanced eBook Features
- 7. Enhancing Your Reading Experience
 - Adjustable Fonts and Text Sizes of American Standard Air Handler Manual
 - Highlighting and Note-Taking American Standard Air Handler Manual
 - Interactive Elements American Standard Air Handler Manual
- 8. Staying Engaged with American Standard Air Handler Manual
 - Joining Online Reading Communities
 - Participating in Virtual Book Clubs
 - Following Authors and Publishers American Standard Air Handler Manual
- 9. Balancing eBooks and Physical Books American Standard Air Handler Manual
 - Benefits of a Digital Library
 - Creating a Diverse Reading Collection American Standard Air Handler Manual
- 10. Overcoming Reading Challenges
 - Dealing with Digital Eye Strain
 - Minimizing Distractions
 - Managing Screen Time
- 11. Cultivating a Reading Routine American Standard Air Handler Manual
 - Setting Reading Goals American Standard Air Handler Manual
 - Carving Out Dedicated Reading Time
- 12. Sourcing Reliable Information of American Standard Air Handler Manual
 - Fact-Checking eBook Content of American Standard Air Handler Manual

- Distinguishing Credible Sources
- 13. Promoting Lifelong Learning
 - Utilizing eBooks for Skill Development
 - Exploring Educational eBooks
- 14. Embracing eBook Trends
 - Integration of Multimedia Elements
 - Interactive and Gamified eBooks

American Standard Air Handler Manual Introduction

Free PDF Books and Manuals for Download: Unlocking Knowledge at Your Fingertips In today's fast-paced digital age, obtaining valuable knowledge has become easier than ever. Thanks to the internet, a vast array of books and manuals are now available for free download in PDF format. Whether you are a student, professional, or simply an avid reader, this treasure trove of downloadable resources offers a wealth of information, conveniently accessible anytime, anywhere. The advent of online libraries and platforms dedicated to sharing knowledge has revolutionized the way we consume information. No longer confined to physical libraries or bookstores, readers can now access an extensive collection of digital books and manuals with just a few clicks. These resources, available in PDF, Microsoft Word, and PowerPoint formats, cater to a wide range of interests, including literature, technology, science, history, and much more. One notable platform where you can explore and download free American Standard Air Handler Manual PDF books and manuals is the internet's largest free library. Hosted online, this catalog compiles a vast assortment of documents, making it a veritable goldmine of knowledge. With its easy-to-use website interface and customizable PDF generator, this platform offers a user-friendly experience, allowing individuals to effortlessly navigate and access the information they seek. The availability of free PDF books and manuals on this platform demonstrates its commitment to democratizing education and empowering individuals with the tools needed to succeed in their chosen fields. It allows anyone, regardless of their background or financial limitations, to expand their horizons and gain insights from experts in various disciplines. One of the most significant advantages of downloading PDF books and manuals lies in their portability. Unlike physical copies, digital books can be stored and carried on a single device, such as a tablet or smartphone, saving valuable space and weight. This convenience makes it possible for readers to have their entire library at their fingertips, whether they are commuting, traveling, or simply enjoying a lazy afternoon at home. Additionally, digital files are easily searchable, enabling readers to locate specific information within seconds. With a few keystrokes, users can search for keywords, topics, or phrases, making research and finding relevant information a breeze. This efficiency saves time and effort, streamlining the learning process and allowing individuals to

focus on extracting the information they need. Furthermore, the availability of free PDF books and manuals fosters a culture of continuous learning. By removing financial barriers, more people can access educational resources and pursue lifelong learning, contributing to personal growth and professional development. This democratization of knowledge promotes intellectual curiosity and empowers individuals to become lifelong learners, promoting progress and innovation in various fields. It is worth noting that while accessing free American Standard Air Handler Manual PDF books and manuals is convenient and cost-effective, it is vital to respect copyright laws and intellectual property rights. Platforms offering free downloads often operate within legal boundaries, ensuring that the materials they provide are either in the public domain or authorized for distribution. By adhering to copyright laws, users can enjoy the benefits of free access to knowledge while supporting the authors and publishers who make these resources available. In conclusion, the availability of American Standard Air Handler Manual free PDF books and manuals for download has revolutionized the way we access and consume knowledge. With just a few clicks, individuals can explore a vast collection of resources across different disciplines, all free of charge. This accessibility empowers individuals to become lifelong learners, contributing to personal growth, professional development, and the advancement of society as a whole. So why not unlock a world of knowledge today? Start exploring the vast sea of free PDF books and manuals waiting to be discovered right at your fingertips.

FAQs About American Standard Air Handler Manual Books

How do I know which eBook platform is the best for me? Finding the best eBook platform depends on your reading preferences and device compatibility. Research different platforms, read user reviews, and explore their features before making a choice. Are free eBooks of good quality? Yes, many reputable platforms offer high-quality free eBooks, including classics and public domain works. However, make sure to verify the source to ensure the eBook credibility. Can I read eBooks without an eReader? Absolutely! Most eBook platforms offer webbased readers or mobile apps that allow you to read eBooks on your computer, tablet, or smartphone. How do I avoid digital eye strain while reading eBooks? To prevent digital eye strain, take regular breaks, adjust the font size and background color, and ensure proper lighting while reading eBooks. What the advantage of interactive eBooks? Interactive eBooks incorporate multimedia elements, quizzes, and activities, enhancing the reader engagement and providing a more immersive learning experience. American Standard Air Handler Manual is one of the best book in our library for free trial. We provide copy of American Standard Air Handler Manual in digital format, so the resources that you find are reliable. There are also many Ebooks of related with American Standard Air Handler Manual. Where to download American Standard Air Handler Manual online for free? Are you looking for American Standard Air Handler Manual PDF? This is definitely going to save you time and cash in something you should think about. If

you trying to find then search around for online. Without a doubt there are numerous these available and many of them have the freedom. However without doubt you receive whatever you purchase. An alternate way to get ideas is always to check another American Standard Air Handler Manual. This method for see exactly what may be included and adopt these ideas to your book. This site will almost certainly help you save time and effort, money and stress. If you are looking for free books then you really should consider finding to assist you try this. Several of American Standard Air Handler Manual are for sale to free while some are payable. If you arent sure if the books you would like to download works with for usage along with your computer, it is possible to download free trials. The free guides make it easy for someone to free access online library for download books to your device. You can get free download on free trial for lots of books categories. Our library is the biggest of these that have literally hundreds of thousands of different products categories represented. You will also see that there are specific sites catered to different product types or categories, brands or niches related with American Standard Air Handler Manual. So depending on what exactly you are searching, you will be able to choose e books to suit your own need. Need to access completely for Campbell Biology Seventh Edition book? Access Ebook without any digging. And by having access to our ebook online or by storing it on your computer, you have convenient answers with American Standard Air Handler Manual To get started finding American Standard Air Handler Manual, you are right to find our website which has a comprehensive collection of books online. Our library is the biggest of these that have literally hundreds of thousands of different products represented. You will also see that there are specific sites catered to different categories or niches related with American Standard Air Handler Manual So depending on what exactly you are searching, you will be able to choose ebook to suit your own need. Thank you for reading American Standard Air Handler Manual. Maybe you have knowledge that, people have search numerous times for their favorite readings like this American Standard Air Handler Manual, but end up in harmful downloads. Rather than reading a good book with a cup of coffee in the afternoon, instead they juggled with some harmful bugs inside their laptop. American Standard Air Handler Manual is available in our book collection an online access to it is set as public so you can download it instantly. Our digital library spans in multiple locations, allowing you to get the most less latency time to download any of our books like this one. Merely said, American Standard Air Handler Manual is universally compatible with any devices to read.

Find American Standard Air Handler Manual :

[my grandfather has a gift for her in spanish](#)

musical theater guru stephen

modern particle physics

mr freeze batman arkham city

modern dance pioneer duncan

morning star music publishers

most dangerous game episode

my sugar gelato artigianale

music production ear training

most famous exorcisms

music and arts san pedro

mother goose time curriculum

mt shasta sacred sites guidebook pdf

monologues for teen girls

music education interview questions

American Standard Air Handler Manual :