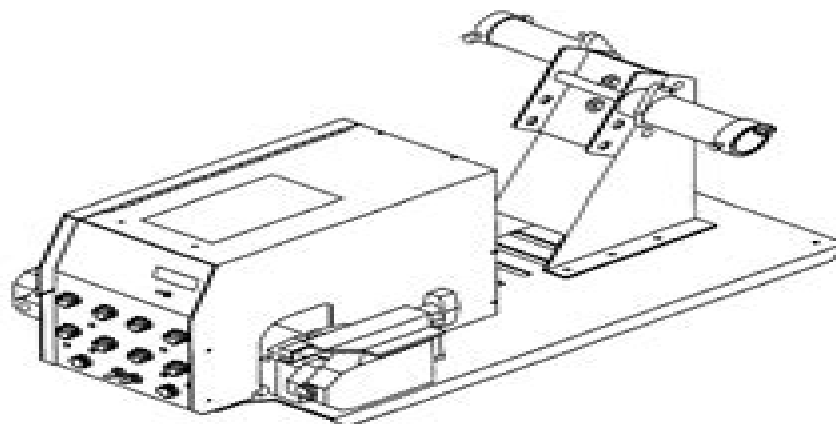




February 1992    FORM: OM-1582A  
Effective With Serial No. KC174786

MODEL: D-62  
D-64



# OWNER'S MANUAL

► **IMPORTANT:** *Read and understand the entire contents of both this manual and the power source manual used with this unit, with special emphasis on the safety material throughout the manual, before installing, operating, or maintaining this equipment. This unit and these instructions are for use only by persons trained and experienced in the safe operation of welding equipment. Do not allow untrained persons to install, operate, or maintain this unit. Contact your distributor if you do not fully understand these instructions.*

**MILLER ELECTRIC Mfg. Co.**  
A Miller Group Ltd. Company

P.O. Box 1079  
Appleton, WI 54912 USA  
Tel. 414-734-9821

# **Miller Welder Repair Manual**

**Rex Miller, Mark Richard Miller, Joseph  
P. Almond, Sr.**



Miller Welder Repair Manual

## Whispering the Techniques of Language: An Mental Quest through **Miller Welder Repair Manual**

In a digitally-driven world wherever monitors reign supreme and instant connection drowns out the subtleties of language, the profound strategies and emotional subtleties concealed within phrases often go unheard. Yet, nestled within the pages of **Miller Welder Repair Manual** a fascinating literary prize pulsating with natural feelings, lies a fantastic quest waiting to be undertaken. Penned by a skilled wordsmith, this wonderful opus invites viewers on an introspective journey, gently unraveling the veiled truths and profound influence resonating within the very fabric of each and every word. Within the mental depths of this poignant review, we will embark upon a heartfelt exploration of the book is core themes, dissect its fascinating publishing fashion, and fail to the effective resonance it evokes serious within the recesses of readers hearts.

<https://offsite.creighton.edu/book/uploaded-files/index.jsp/lyrics%20for%20abc%20song.pdf>

[https://offsite.creighton.edu/book/uploaded-files/index.jsp/marathon\\_electric\\_generator.pdf](https://offsite.creighton.edu/book/uploaded-files/index.jsp/marathon_electric_generator.pdf)

<https://offsite.creighton.edu/book/uploaded-files/index.jsp/margaret%20mead%20adolescence%20theory.pdf>

### **Table of Contents Miller Welder Repair Manual**

1. Understanding the eBook Miller Welder Repair Manual
  - The Rise of Digital Reading Miller Welder Repair Manual
  - Advantages of eBooks Over Traditional Books
2. Identifying Miller Welder Repair Manual
  - Exploring Different Genres
  - Considering Fiction vs. Non-Fiction
  - Determining Your Reading Goals
3. Choosing the Right eBook Platform
  - Popular eBook Platforms
  - Features to Look for in an Miller Welder Repair Manual
  - User-Friendly Interface
4. Exploring eBook Recommendations from Miller Welder Repair Manual
  - Personalized Recommendations
  - Miller Welder Repair Manual User Reviews and Ratings

- Miller Welder Repair Manual and Bestseller Lists
- 5. Accessing Miller Welder Repair Manual Free and Paid eBooks
  - Miller Welder Repair Manual Public Domain eBooks
  - Miller Welder Repair Manual eBook Subscription Services
  - Miller Welder Repair Manual Budget-Friendly Options
- 6. Navigating Miller Welder Repair Manual eBook Formats
  - ePub, PDF, MOBI, and More
  - Miller Welder Repair Manual Compatibility with Devices
  - Miller Welder Repair Manual Enhanced eBook Features
- 7. Enhancing Your Reading Experience
  - Adjustable Fonts and Text Sizes of Miller Welder Repair Manual
  - Highlighting and Note-Taking Miller Welder Repair Manual
  - Interactive Elements Miller Welder Repair Manual
- 8. Staying Engaged with Miller Welder Repair Manual
  - Joining Online Reading Communities
  - Participating in Virtual Book Clubs
  - Following Authors and Publishers Miller Welder Repair Manual
- 9. Balancing eBooks and Physical Books Miller Welder Repair Manual
  - Benefits of a Digital Library
  - Creating a Diverse Reading Collection Miller Welder Repair Manual
- 10. Overcoming Reading Challenges
  - Dealing with Digital Eye Strain
  - Minimizing Distractions
  - Managing Screen Time
- 11. Cultivating a Reading Routine Miller Welder Repair Manual
  - Setting Reading Goals Miller Welder Repair Manual
  - Carving Out Dedicated Reading Time
- 12. Sourcing Reliable Information of Miller Welder Repair Manual
  - Fact-Checking eBook Content of Miller Welder Repair Manual
  - Distinguishing Credible Sources

13. Promoting Lifelong Learning
  - Utilizing eBooks for Skill Development
  - Exploring Educational eBooks
14. Embracing eBook Trends
  - Integration of Multimedia Elements
  - Interactive and Gamified eBooks

### **Miller Welder Repair Manual Introduction**

Miller Welder Repair Manual Offers over 60,000 free eBooks, including many classics that are in the public domain. Open Library: Provides access to over 1 million free eBooks, including classic literature and contemporary works. Miller Welder Repair Manual Offers a vast collection of books, some of which are available for free as PDF downloads, particularly older books in the public domain. Miller Welder Repair Manual : This website hosts a vast collection of scientific articles, books, and textbooks. While it operates in a legal gray area due to copyright issues, its a popular resource for finding various publications. Internet Archive for Miller Welder Repair Manual : Has an extensive collection of digital content, including books, articles, videos, and more. It has a massive library of free downloadable books. Free-eBooks Miller Welder Repair Manual Offers a diverse range of free eBooks across various genres. Miller Welder Repair Manual Focuses mainly on educational books, textbooks, and business books. It offers free PDF downloads for educational purposes. Miller Welder Repair Manual Provides a large selection of free eBooks in different genres, which are available for download in various formats, including PDF. Finding specific Miller Welder Repair Manual, especially related to Miller Welder Repair Manual, might be challenging as theyre often artistic creations rather than practical blueprints. However, you can explore the following steps to search for or create your own Online Searches: Look for websites, forums, or blogs dedicated to Miller Welder Repair Manual, Sometimes enthusiasts share their designs or concepts in PDF format. Books and Magazines Some Miller Welder Repair Manual books or magazines might include. Look for these in online stores or libraries. Remember that while Miller Welder Repair Manual, sharing copyrighted material without permission is not legal. Always ensure youre either creating your own or obtaining them from legitimate sources that allow sharing and downloading. Library Check if your local library offers eBook lending services. Many libraries have digital catalogs where you can borrow Miller Welder Repair Manual eBooks for free, including popular titles. Online Retailers: Websites like Amazon, Google Books, or Apple Books often sell eBooks. Sometimes, authors or publishers offer promotions or free periods for certain books. Authors Website Occasionally, authors provide excerpts or short stories for free on their websites. While this might not be the Miller Welder Repair Manual full book , it can give you a taste of the authors writing style. Subscription Services Platforms like Kindle

Unlimited or Scribd offer subscription-based access to a wide range of Miller Welder Repair Manual eBooks, including some popular titles.

### FAQs About Miller Welder Repair Manual Books

**What is a Miller Welder Repair Manual PDF?** A PDF (Portable Document Format) is a file format developed by Adobe that preserves the layout and formatting of a document, regardless of the software, hardware, or operating system used to view or print it. **How do I create a Miller Welder Repair Manual PDF?** There are several ways to create a PDF: Use software like Adobe Acrobat, Microsoft Word, or Google Docs, which often have built-in PDF creation tools. **Print to PDF:** Many applications and operating systems have a "Print to PDF" option that allows you to save a document as a PDF file instead of printing it on paper. **Online converters:** There are various online tools that can convert different file types to PDF. **How do I edit a Miller Welder Repair Manual PDF?** Editing a PDF can be done with software like Adobe Acrobat, which allows direct editing of text, images, and other elements within the PDF. Some free tools, like PDFescape or Smallpdf, also offer basic editing capabilities. **How do I convert a Miller Welder Repair Manual PDF to another file format?** There are multiple ways to convert a PDF to another format: Use online converters like Smallpdf, Zamzar, or Adobe Acrobat's export feature to convert PDFs to formats like Word, Excel, JPEG, etc. Software like Adobe Acrobat, Microsoft Word, or other PDF editors may have options to export or save PDFs in different formats. **How do I password-protect a Miller Welder Repair Manual PDF?** Most PDF editing software allows you to add password protection. In Adobe Acrobat, for instance, you can go to "File" -> "Properties" -> "Security" to set a password to restrict access or editing capabilities. **Are there any free alternatives to Adobe Acrobat for working with PDFs?** Yes, there are many free alternatives for working with PDFs, such as: LibreOffice: Offers PDF editing features. PDFsam: Allows splitting, merging, and editing PDFs. Foxit Reader: Provides basic PDF viewing and editing capabilities. **How do I compress a PDF file?** You can use online tools like Smallpdf, ILovePDF, or desktop software like Adobe Acrobat to compress PDF files without significant quality loss. Compression reduces the file size, making it easier to share and download. **Can I fill out forms in a PDF file?** Yes, most PDF viewers/editors like Adobe Acrobat, Preview (on Mac), or various online tools allow you to fill out forms in PDF files by selecting text fields and entering information. **Are there any restrictions when working with PDFs?** Some PDFs might have restrictions set by their creator, such as password protection, editing restrictions, or print restrictions. Breaking these restrictions might require specific software or tools, which may or may not be legal depending on the circumstances and local laws.

**Find Miller Welder Repair Manual :**

[lyrics for abc song](#)

**marathon electric generator**

**margaret mead adolescence theory**

[manhattan prep advanced course](#)

**marketing strategies for wine**

[major events in israel history](#)

**madonna as jesus**

*mahmoud darwish romantic poems*

**map percentiles 2022**

**marla rivera espn**

*making connections 2 teacher's manual pdf*

*maddie ziegler sexuality*

*lyrics zum gali gali*

*mai ya xiong*

**manuscript bible study pdf**

**Miller Welder Repair Manual :**

*shiatsu fondamentale tome 2 la tha c orie du kampo book* - Jan 28 2022

web marriage as corie sat in the belly of a c 17 where her husband had said goodbye to the remains of friends and fellow soldiers as she touched with her own hands the memorial at fob fenty and reflected on her grief as a care team member following the battle of cop keating corie realized this journey was about much more than the push pull of

[shiatsu fondamentale tome 2 la tha c orie du kampo full pdf](#) - Feb 09 2023

web pages of shiatsu fondamentale tome 2 la tha c orie du kampo a mesmerizing literary creation penned with a celebrated wordsmith readers embark on an enlightening odyssey unraveling the intricate significance of language and its enduring impact on our lives in this appraisal we shall

[shiatsu fondamentale tome 2 la théorie du kampo à la m t c de](#) - May 12 2023

web february 25th 2020 shiatsu fondamentale tome 2 la théorie du kampo à la m t c de l énergétique à la psycho énergétique  
michel odoul albin michel 0 0 votes le troisième tome



**the complete book of shiatsu therapy google books** - Dec 27 2021

web toru namikoshi japan publications 1981 acupressure 256 pages the science of shiatsu in this compact exhaustive scientifically oriented text and guidebook toru namikoshi for once and all discredits erroneous interpretations that confuse shiatsu therapy with traditional japanese amma massage or categorize it as limited within the

**shiatsu fondamental tome 2 la tha c orie du kampo** - Feb 26 2022

web shiatsu fondamental tome 2 la tha c orie du kampo is available in our digital library an online access to it is set as public so you can get it instantly our book servers spans in multiple locations allowing you to get the most less latency time to download any of our books like this one

shiatsu fondamental tome 2 la théorie du de michel odoul - Mar 30 2022

web feb 18 2015 shiatsu fondamental tome 2 la théorie du kampo à la mtc de l'énergétique à la psycho énergétique de michel odoul Éditeur albin michel livraison gratuite à 0 01 dès 35 d achat librairie decitre votre prochain livre est là

**shiatsu fondamental tome 2 la tha c orie du kampo pdf** - Nov 06 2022

web this is likewise one of the factors by obtaining the soft documents of this shiatsu fondamental tome 2 la tha c orie du kampo by online you might not require more epoch to spend to go to the ebook launch as without difficulty as search for them in some cases you likewise realize not discover the publication shiatsu fondamental tome 2

**shiatsu fondamental tome 2 la théorie du kampo à la m t c de** - Jul 14 2023

web shiatsu fondamental tome 2 la théorie du kampo à la m t c de l'énergétique à la psycho énergétique de odoul michel sur abebooks fr isbn 10 2226257284 isbn 13 9782226257284 albin michel 2015 couverture souple

**shiatsu fondamental tome 2 la tha c orie du kampo pdf** - Sep 04 2022

web shiatsu fondamental tome 2 la tha c orie du kampo is available in our digital library an online access to it is set as public so you can download it instantly our book servers hosts in multiple locations allowing you to get the most less latency time to

**shiatsu fondamental tome 2 la tha c orie du kampo** - Dec 07 2022

web 2 2 shiatsu fondamental tome 2 la tha c orie du kampo 2021 12 14 shiatsu fondamental tome 2 la tha c orie du kampo 2021 12 14 lizeth maximilian le livre complet de la thérapie shiatsu albin michel première véritable synthèse écrite sur le shiatsu japonais ce livre est majeur tant dans son contenu que dans la perspective qui

*shiatsu fondamental tome 2 la tha c orie du kampo priya* - Jul 02 2022

web shiatsu fondamental tome 2 la tha c orie du kampo recognizing the mannerism ways to acquire this books shiatsu fondamental tome 2 la tha c orie du kampo is additionally useful you have remained in right site to start getting this info get the shiatsu fondamental tome 2 la tha c orie du kampo associate that we have the funds for

**shiatsu fondamental tome 2 la théorie du kampo à la m t c de** - Aug 15 2023

web shiatsu fundamental tome 2 la théorie du kampo à la m t c de l'énergétique à la psycho énergétique  
[shiatsu fundamental tome 2 la théorie du kampo](#) - Apr 11 2023

web boquiñeni repoblado con gentes del norte aragonés y navarro fue sede de una encomienda templaria en los siglos xii y xiii que extendió su influencia al otro lado del río por pradilla y tauste disuelta la orden del temple a principios del siglo xiv sus derechos y propiedades fueron transferidos a la orden hospitalaria de san juan de

**shiatsu fundamental tome 2 la théorie Éditions albin michel** - Jun 01 2022

web découvrez le livre shiatsu fundamental tome 2 la théorie de michel odoul sur le site web des éditions albin michel

*shiatsu fundamental tome 2 la théorie du kampo à la m t c de* - Jan 08 2023

web shiatsu fundamental tome 2 la thorie du kampo la april 8th 2020 ce tome 2 s inscrit dans la trilogie shiatsu fundamental il en est la pièce centrale dans ce tome sont présentés tous les fondamentaux millénaires dans

**shiatsu fundamental tome 2 la théorie du kampo pdf** - Jun 13 2023

web our digital library saves in combined countries allowing you to acquire the most less latency era to download any of our books with this one merely said the shiatsu fundamental tome 2 la théorie du kampo is universally compatible past any devices to read shiatsu fundamental tome 2 la théorie du kampo 2021 03 21 bray molly

**shiatsu fundamental tome 2 la théorie du kampo** - Mar 10 2023

web shiatsu fundamental tome 2 la théorie du kampo shiatsu fundamental tome 2 la théorie du kampo 2 downloaded from 50storiesfortomorrow ilfu com on 2019 10 02 by guest capitalist structures major themes in the volume include learning from historical anarchist experiments in education ways that contemporary

**shiatsu fundamental tome 2 la théorie du kampo copy** - Apr 30 2022

web situe au centre d'une vaste huerta fondee par les eaux du segura la ville fut jusqu'à la fin du xve siècle la capitale d'un grand royaume enclavé entre l'aragon et grenade et dont la façade maritime était le seul débouché méditerranéen de la castille rattachée à celle-ci par la force des armes en 1226 après plus de cinq siècles d'appartenance au monde

**shiatsu fundamental tome 2 la théorie michel odoul cultura** - Oct 05 2022

web shiatsu fundamental tome 2 la théorie par michel odoul aux éditions albin michel ce tome 2 s inscrit dans la trilogie shiatsu fundamental il en est la pièce centrale dans ce tome sont présentés tous les fondamentaux millénaires dans l

**shiatsu fundamental tome 2 la théorie du kampo** - Aug 03 2022

web shiatsu fundamental tome 2 la théorie du kampo is available in our digital library an online access to it is set as public so you can download it instantly our digital library spans in multiple locations allowing you to get the most less latency time to download any of our books like this one

**cessna 150m manuals manualslib** - Nov 06 2022

web specifications the 150 is an all metal tricycle gear airplane introduced by cessna aircraft company in 1959 the airplane was available in four different versions standard

*150 commuter cp aviation* - May 12 2023

web cessna 150 commuter 1977 model 150m serial no registration no this handbook includes the material required to be furnished to the

**cessna 150 aopa** - Sep 04 2022

web normal checklist cessna 150 11 always refer to aircraft flight manual before starting engine 1 exterior preflight complete 2 tach hobbs meter record 3

**flight maneuvers c 150 152 southeastern oklahoma state** - Oct 05 2022

web manuale di istruzioni carbon z cessna 150 safe select technology optional flight envelope protection en 2 as the user of this product you are solely responsible for

**cessna 150g manuals user guides all guides com** - Jan 28 2022

web e flite cessna 150 aerobat 250 arf assembly manual 5 before starting assembly before beginning the assembly of your model remove each part from its bag for inspection

**cessna 150 aerobat flight manual by t3983 issuu** - Feb 26 2022

web the cessna 150 is a two seat tricycle gear general aviation airplane that was designed for flight training touring and personal use 2 in 1977 it was succeeded in production by

**airplane flight manual squarespace** - Apr 11 2023

web this manual describes the operation and performance of the cessna 150 model with the conversion ns402s with rotax 912s3 and hoffmann ho v352f 170fq 10

**cessna 150 series manual pdf download manualslib** - Jul 14 2023

web view and download cessna 150 series manual online 150 series aircrafts pdf manual download also for 172 series 177 series 150 standard 150 trainer 150 inter city 150

[cessna 150 series service manual pdf](#) - Feb 09 2023

web jan 4 2017 cessna 150 is a light aircraft powered by a single engine of 4 cylinders here is the owners manual pilot operating handbook of the three variants c150d c150k and

*only purposes training for southeastern oklahoma state* - Mar 30 2022

web civilian aircraft cessna aircraft cessna 100 series cessna 150 series cessna owners manuals poh cessna 150 series aircraft manuals product search home aero

[flight training aircraft maintenance santa paula ca](#) - Jun 01 2022

web dec 27 2017 [cessna 150 aerobat flight manual download](#) cessna 150 aerobat flight manual free cessna 150 aerobat flight manual full cessna 150 aerobat flight

**cessna 150 owner s manual pdf download manualslib** - Aug 15 2023

web view and download cessna 150 owner s manual online 150 aircrafts pdf manual download

[cessna 150 1967 owner s manual google books](#) - Mar 10 2023

web nov 10 2018 [cessna 150 1967 owner s manual c150 pilot operating handbook poh aircraft flight manual afm cessna aircraft company independently published nov](#)

[cessna c150d c150k c150m owners manual pdf free download](#) - Jan 08 2023

web we have 2 cessna 150m manuals available for free pdf download service manual cessna 150m service manual 359 pages 150 series 1969 thru 1976 brand cessna

**cessna aircraft manuals 150 aircraft spruce** - Apr 30 2022

web cessna 150g manuals user guides user manuals guides and specifications for your cessna 150g aircrafts database contains 1 cessna 150g manuals available for free

**cessna 150 owner s manual pdf download** - Dec 07 2022

web flight maneuvers c 150 152 the following is for quick reference only in all cases students should refer to and become familiar with the c 150 or c 152 pilot information

[cessna 150 series](#) - Dec 27 2021

*normal checklist cessna 150 flight courses com* - Jul 02 2022

web performance specifications cessna model 150m performance specifications speed maximum at sea level 109 knots cruise 75

[cessna 150 wikipedia](#) - Nov 25 2021

*cessna 150 aerobat 250 arf spektrum* - Oct 25 2021

*carbon z cessna 150 spektrum* - Aug 03 2022

web flight training aircraft maintenance santa paula ca

[cessna 150g owner s manual pdf download manualslib](#) - Jun 13 2023

web view and download cessna 150g owner s manual online 150g aircrafts pdf manual download

**umat massachusetts institute of technology** - Feb 09 2023

web user subroutine umat can be used to define the mechanical constitutive behavior of a material will be called at all material calculation points of elements for which the material definition includes a user defined material behavior can be used with any procedure that includes mechanical behavior can use solution dependent state variables

**understanding the deformation gradient in abaqus and** - Dec 07 2022

web feb 1 2022 firstly we examine the classical forms of global and local deformation gradients we then show that abaqus standard does not use the classical form of the local deformation gradient when continuum elements are used and we highlight the important implications for umat development

*abaqus soft tissue umat api publico pinheiro ma gov br* - Feb 26 2022

web abaqus soft tissue umat is available in our digital library an online access to it is set as public so you can download it instantly our books collection spans in multiple countries allowing you to get the most less latency time to download any of our books like this one kindly say the abaqus soft tissue umat is universally compatible with

**automatic generation of user material subroutines for pubmed** - May 12 2023

web the analysis of the biomechanics of growth and remodeling in soft tissues requires the formulation of specialized pseudoelastic constitutive relations the nonlinear finite element analysis package abaqus allows the user to implement such specialized material responses through the coding of a user material subroutine called umat

**abaqus umat pdf stress mechanics viscoelasticity scribd** - Nov 06 2022

web abaqus standard passes zero strain increments into user subroutine umat to start the rst increment of all the steps and all increments of steps for which you have suppressed extrapolation see procedures overview section 6 1 1 in this case you can dene only the jacobian ddsdde utility routines

*abaqus soft tissue umat uniport edu ng* - Mar 30 2022

web may 25 2023 abaqus soft tissue umat 1 9 downloaded from uniport edu ng on may 25 2023 by guest abaqus soft tissue umat this is likewise one of the factors by obtaining the soft documents of this abaqus soft tissue umat by online you might not require more epoch to spend to go to the books establishment as well as search for them

*abaqus soft tissue umat secure4 khronos* - Jan 28 2022

web jun 18 2023 download the abaqus soft tissue umat join that we have the capital for here and check out the link we compensate for abaqus soft tissue umat and multiple books gatherings from fictions to scientific examinationh in any way

**abaqus soft tissue umat help environment harvard edu** - Dec 27 2021

web kindly say the abaqus soft tissue umat is universally compatible with any devices to read phase field methods in materials science and engineering nikolas provatas 2011 07 26 this comprehensive and self contained one stop source discusses phase field methodology in a fundamental way explaining advanced numerical

**abaqus soft tissue umat old cosmc org** - Jan 08 2023

web abaqus soft tissue umat 3 3 viscous materials under all conditions of uniaxial or multiaxial simple or cyclic loadings so that it may be considered nearly universal troubleshooting finite element modeling with abaqus bod books on demand this textbook demonstrates the application of the finite element philosophy to the solution of

*how to implement user defined fiber reinforced sciencedirect* - Jul 14 2023

web oct 1 2020 this paper provides a detailed description at the level of the biomedical engineer of the implementation of a nonlinear hyperelastic material model using user subroutines in abaqus in casu uanisohyper inv and umat

vumat viscoelasticity maxwell model imechanica - Sep 04 2022

web nov 7 2020 abaqus tutorial and assignment 1 collecting phenomena of large elastic deformation sharing abaqus umat and vumat subroutines thermodynamics of nanoscale small systems journal club theme of september 2007 quantum effects in github - Mar 10 2023

web payload allshortcutsenabled false filetree soft tissues 6 humphrey items name src path soft tissues 6 humphrey src contenttype directory

**understanding the deformation gradient in abaqus and** - Aug 15 2023

web feb 1 2022 the detailed and rigorous paper on soft tissue umat and uhyper implementation by fehervary et al 2020 acknowledges the importance of the findings of the current paper and refers readers to the current paper for a thorough explanation of the abaqus local form of the deformation gradient

abaqus soft tissue umat pqr uiaf gov co - Jun 01 2022

web declaration as without difficulty as perception of this abaqus soft tissue umat can be taken as competently as picked to act liquid crystal elastomers mark warner 2007 04 05 this text is a primer for liquid crystals polymers rubber and elasticity it is directed at physicists chemists material scientists engineers and applied

*abaqus soft tissue umat help environment harvard edu* - Jul 02 2022

web abaqus soft tissue umat recognizing the quirk ways to get this book abaqus soft tissue umat is additionally useful you have remained in right site to begin getting this info get the abaqus soft tissue umat associate that we offer here and check out the link you could purchase lead abaqus soft tissue umat or get it as soon as feasible

*abaqus soft tissue umat poczta builduk org* - Oct 05 2022

web abaqus soft tissue umat 3 3 manufacturing technologies and applications offers comprehensive coverage of the fundamentals and advances in the textile and clothing manufacturing sectors it describes the basics of fibres yarns and fabrics and their end use in the latest developments and applications in the field and addresses

**abaqus soft tissue umat reports budgetbakers com** - Apr 30 2022

web abaqus soft tissue umat 1 hyperelastic modeling and soft tissue growth integrated with the smoothed finite element method sfem multiscale modeling to tackle the complexity of load bearing organ and tissue regulation

**github messeli umat soft tissue** - Jun 13 2023

web umat soft tissue my umat studies featuring the mostly trial implementation of 2005blemker work

**anisotropic hyperelastic modeling of arterial layers** - Apr 11 2023

web this problem illustrates the use of the anisotropic hyperelastic capabilities in abaqus to model soft biological tissue more specifically the problem shows how these capabilities can be used to model the mechanical response of

**cup drawing behavior of high strength steel sheets containing** - Aug 03 2022

web jun 15 2010 a phenomenological yield function yld96 which accounts for the anisotropy of yield stress and r values was implemented into abaqus using the user subroutine umat cup drawing of high strength steel sheets was simulated using the fem code