

ENGINE

1. WATER PUMP BELT INSPECTION

- 1) Inspect the belt for cracks, cuts, deformation, wear and cleanliness. Check the belt for tension. The belt is in proper tension when it deflects 6 to 9 mm (0.24 - 0.35 in.) under thumb pressure (about 10 kg or 22 lb.).

Belt tension specification	6 - 9 mm (0.24 - 0.35 in.) as deflection
----------------------------	--

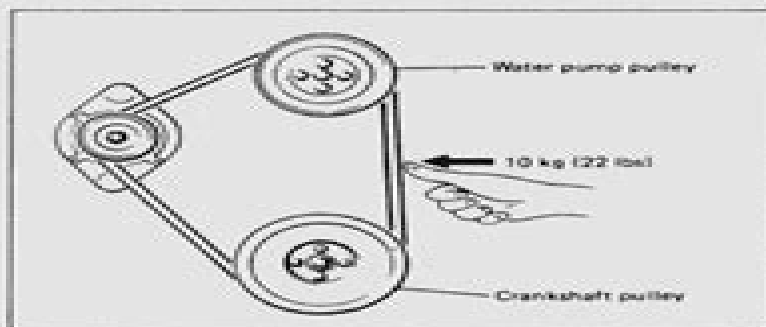


Fig. 08-1

- 2) If the belt is too tight or too loose, adjust it to the proper tension by displacing the alternator position.

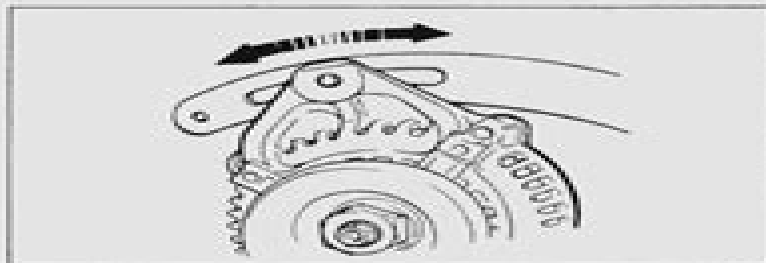


Fig. 08-2

- 3) Tighten the alternator adjusting bolt and pivot bolts.
- 4) If it is necessary to replace the belt, refer to p.6 of SECTION 6B for the procedure.

WARNING:

All adjustments noted above are to be performed with ENGINE NOT RUNNING.

2. VALVE LASH INSPECTION

- 1) Inspect intake and exhaust valve lash and adjust as necessary.

Valve lash (gap A) specification	When cold (Coolant temperature is 15 - 25°C or 59 - 77°F)		When hot (Coolant temperature is 60 - 65°C or 140 - 154°F)		
	Intake	0.13 - 0.17 mm (0.0051 - 0.0067 in.)	0.23 - 0.27 mm (0.009 - 0.011 in.)	Exhaust	0.16 - 0.20 mm (0.0063 - 0.0079 in.)

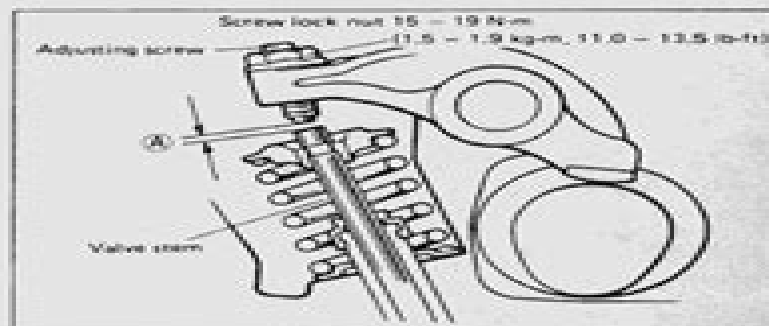


Fig. 08-3

- 2) Refer to p.21 of SECTION 6A for valve lash inspection and adjustment procedures.

Khyber Owners Manual

Frederick Rufenacht Walters



Khyber Owners Manual

Khyber Calling! Rajput (pseud.),1812 **Mental Nurses Training Manual** David 'Khyber' Close,2023-05-03 Back at the end of the 1970s three hundred copies of Neglect Violence Mental Nurse s Training Manual were released by Wombat Printing NL to friends and the nurse s underground Forty plus years later it is now released to the public with little danger of litigation regarding libel or defamation The back cover blurb for MENTAL NURSES TRAINING MANUAL then had it that An ex psychiatric nurse recalls his experiences after reporting a bashing and drinking on duty to his superiors He exposes a cover up by the hospital authorities and the State government bureaucracy then known as the Mental Health Authority His report details murder and suicide cases and hints at widespread cruelty and indifference His memories and impressions of the people he met working at a Melbourne mental hospital adds colour to a subject which bears thinking about The author s futile exploits as a candidate in the 1973 Victorian state election makes amusing and or alarming reading while his analysis of shortcomings in psychiatric practice might stimulate a new deal for the bewildered victims of our dog eat dog civilization A must for all the up and coming maniacs Gough Whitelamb in the Daylesford Gazette Lifts the lid off the sanity business Clyde Pucker in the Yea Times Reading this book didn t relieve my obsessive compulsive neurosis or my ethical dilemmas but it gave me the pleasant feeling that I am not alone in this world with my belief in the prefectability of mankind through the exercise of hope fertilized by integrity Malcolm Howard in the West Wyalong Whinger Whistle blowing anti psychiatry still resonates today Phil Saddams in the Rupert Warduck Stable *American Racing Manual* ,1961 **Airline Manual** United States. Civil Aeronautics Board,1948 **The Student's Manual of Modern History** William Cooke Taylor,1866 **The Home Guard Training Pocket Manual** Lee Johnson,2019-02-19 Excerpts from the many unofficial manuals avidly bought by members of the British Home Guard desperate to prepare for invasion during World War II How would you clear a stoppage on a Bren Gun while in action What is the most effective way to clear a wood of enemy forces How best could you counter a landing by enemy airborne forces in your area What measure can you take to help ensure accurate rifle fire at night What qualities should you look for when selecting a patrol commander Just a few of the practical questions posed and answered in the selection of publications included in The Home Guard Training Pocket Manual Numerous manuals and training pamphlets were privately published during World War II to supplement the slim official Home Guard manual produced by the War Office Covering everything from patrolling night fighting drill and small arms proficiency to the legal powers of the Home Guard these manuals were welcomed by the men of local Home Guard units keen to do everything possible to prepare for possible invasion when they would be the first line of defense This pocket manual collates a selection of material from these fascinating publications often written by serving soldiers and reprinted multiple times due to demand Handbook of Terrorist and Insurgent Groups Scott N. Romaniuk,Animesh Roul,Pamela Fabe,János Besenyó,2024-10-24

Handbook of Terrorist and Insurgent Groups A Global Survey of Threats Tactics and Characteristics examines the most current and significant terrorist and insurgent groups around the world The purpose is to create a descriptive mosaic of what is a pointedly global security challenge The volume brings together conceptual approaches to terrorism insurgency and cyberterrorism with substantive and empirical analyses of individual groups organisations and networks By doing so not only does the coverage highlight the past present and future orientations of the most prominent groups but it also examines and illustrates their key characteristics and how they operate including key leaders and ideologues Highlighting specific individual groups the chapters collectively present a robust and comprehensive outlook on the current geography of terrorism and insurgency groups operating in the world today This comprehensive volume brings the collective expertise and knowledge of more than 50 academics intelligence and security officials and professionals together all of whom are considered subject experts in their respective areas of research and practice The volume is based on both desk based and fieldwork conducted by experts in these areas incorporating analyses of secondary literature but also the use of primary data including first hand interviews on the various groups regions of operation their tactics and how their ideologies motivate their actions

American Civilian Counter-terrorist Manual Alan Allen, 2008-03-18 Spring 2010 This historical novel finds President Reagan at odds with his daughter Vice President White House Staff and Cabinet as Ronnie and Nancy try to do the best acting of their lives to leave the White House alive unabridged edition Our most loved and hated President after Kennedy and before Obama Ronnie struggles to defeat the Evil Empire and not lose his mind to Alzheimer s dementia Can he still trust Bill Casey and George Bush George Shultz Selwa Roosevelt and Mike Deaver Can Ronnie find out who s pulling his strings A fervent anti Communist and Nazi hater praised by his wife Nancy and ultra conservatives groomed by Bechtel Corporation since 1950 and sold StarWars by Dick Cheney and Paul Nitze during the most scandal ridden presidency in American history daughter Patti college students and flower children despised Reagan for supporting the Vietnam War and Contra death squads and felt the Reagan Bush Administration was run by Nazis As it turns out it was This historical novel documents the foreign policy national security and monetary policies of the Reagan Bush Administration were run by Nazis thru the life of character Reinhard Gehlen Hitler s chief of Foreign Armies East intelligence whom Dulles hired to run and train CIA as Freikorps Nazi death squad torturers terrorists and assassins who then trained the Contras that Gehlen was later handled by Bill Casey Ronnie s campaign manager then George Bush Ronnie s vice president to fight exaggerate and invent the Cold War in order to capture the Russian Baku oil fields Based on autobiographies of the Reagan family Cabinet and White House Staff the 650 page book includes a 250 page epilog of documentation and a 50 pg researchers index footnotes and an extensive appendix including charts from Staff Report Committee on Banking Currency Housing House of Representatives 94th Congress 2d session Aug 1976 Federal Reserve Directors a Study of Corporate Banking Influence The charts trace from 1913 to present the family dynasties of the private owners and interlocking directorate of the Federal

Reserve Bank and other G 8 central banks the World Order and New World Order whom Bill Casey George Shultz the Bushes bin Ladens Thyssens Rockefellers Rothschilds Browns Harrimans and Reinhard Gehlen worked for and against whose family ancestors the American Revolution was fought and whose family decedents today continue to dominate the financial political economic and bailout and foreclosure landscape with financial terrorism Additionally the historical novel follows the family dynasties of the private owners of the interlocking directorate of the Fed G8 including Bank of England and Bundesbank and other central banks involved in the American Revolution of 1776 the American Civil War the depressions in the late 1800s and early 1900s the founding of the privately owned Federal Reserve Bank in 1913 WWI the financing of the Bolshevik party from New York and thru Ruskombank which supplied U S technology and weapons and military vehicles to communist Russia who supplied them to the Viet Cong to kill Americans Appendices also document the previously hypothesized money issuing class that prints and owns our money that rules the upper class middle class working class and unemployed classes The appendix also includes documentation of the Clinton era involvement with HUD corruption when Bill was Governor and Hillary was a HUD attorney HUD sold billions of dollars of foreclosed properties in East L A at ten cents on the dollar to the Fed founded Dillion Read bank Ronnie was advised about the marriage of the oil and illegal drug industries and the case by the European Union and Central and South American countries against Reynolds Tobacco for laundering heroin and cocaine profits with Camel Cigarettes **The Home Guard Training Manual** John Langdon-Davies,1941

Eighteen Years in the Khyber, 1879-1898 Sir Robert Warburton,1900 Sir Robert Warburton 1842 99 was a British army officer who served for 18 years as the political officer or warden of the Khyber Pass the most important of the mountain passes connecting Afghanistan and present day Pakistan He was born in Afghanistan the son of a British officer and his wife a noble Afghan woman who was the niece of Amir Dost Mohammad Khan Warburton was educated in England commissioned an officer and served at posts in British India and in Abyssinia present day Ethiopia before being appointed in 1879 to his post in the Khyber Home to the fiercely independent Pushtun Afridi people who resisted external control the pass frequently had been blocked by the Afridis or by fighting among the hill tribes Warburton is credited with keeping the frontier peaceful and the pass open mainly though diplomacy rather than force He drew upon his Afghan background and his fluent Persian and Pushto to gradually win the trust of tribesmen whose traditions made them deeply suspicious of outsiders In August 1897 one month after Warburton s retirement unrest broke out among the Afridis who seized the pass and held it for several months Warburton was called back into service and participated in the Tirah expedition of 1897 98 in which Anglo Indian forces reopened the pass Warburton was especially proud of the role played in the expedition by the Khyber Rifles a paramilitary force recruited from Afridi tribesmen that he had raised and commanded *Eighteen Years in the Khyber 1879 1898* is Warburton s account of his education and career It touches upon virtually every individual and event that played a role in relations between Afghanistan and British India during the last quarter of the 19th century Long in poor health

Warburton returned to England and died before the book was completed Posthumously published it is illustrated with a number of striking photographs and includes a detailed fold out map of the Khyber **The American Catalogue**, 1901 American national trade bibliography **Mission Invisible** Ross Perigoe, Mahmoud Eid, 2014-03-01 For many Canadians the attacks of 9 11 produced feelings of insecurity vulnerability and suspicion of Arabs How did these negative attitudes come about Many point to the complicity of the news media in reproducing racist images of Muslim minorities Mission Invisible chronicles varying racialized constructions of Muslim communities in the news during the most significant stage of reportage the initial weeks when the events issues and primary actors of 9 11 were all first framed by journalists By unravelling the discourse and rhetoric of news coverage in Canada at the dawn of the 9 11 era this book not only uncovers racist representations of Muslim communities but also reveals the discursive processes that rendered this racism invisible

Access to Power Ijlal Naqvi, 2022 Pakistan's power sector's woes are less mystery than tragedy but to conclude simply that a weak state produces poor governance outcomes misses the manner in which these arrangements are important to reproducing existing relations of domination and are resistant to change The question this book addresses therefore isn't just about why Pakistan doesn't produce enough power [IFLA Public Library Service Guidelines](#) Christie Koontz, Barbara Gubbin, 2010-07-30 The public library is the prime community access point designed to respond to a multitude of ever changing information needs These guidelines are framed to provide assistance to library and information professionals in most situations They assist to better develop effective services relevant collections and accessible formats within the context and requirements of the local community In this exciting and complex information world it is important for professionals in search of knowledge information and creative experience to succeed This is the 2nd edition of The Public Library Service IFLA UNESCO Guidelines for Development [Approach to Battle](#) Alan Jeffreys, 2017-01-24 The Indian Army was the largest volunteer army during the Second World War Indian Army divisions fought in the Middle East North Africa and Italy and went to make up the overwhelming majority of the troops in South East Asia Over two million personnel served in the Indian Army and India provided the base for supplies for the Middle Eastern and South East Asian theatres This monograph is a modern historical interpretation of the Indian Army as a holistic organisation during the Second World War It will look at training in India charting how the Indian Army developed a more comprehensive training structure than any other Commonwealth country This was achieved through both the dissemination of doctrine and the professionalism of a small coterie of Indian Army officers who brought about a military culture within the Indian Army starting in the 1930s that came to fruition during the Second World War which informed the formal learning process Finally it will show that the Indian Army was reorganised after experiences of the First World War During the interwar period the army developed training and belief for both fighting on the North West Frontier and as an aid to civil power With the outbreak of the Second World War in addition to these roles the army had to expand and adapt to fighting modern professional armies in the difficult terrains of

desert jungle and mountain warfare A clear development of doctrine and training can be seen with many pamphlets being produced by GHQ India that were in turn used to formulate training within formations and then used in divisional brigade and unit training instructions thus a clear line of process can be seen not only from GHQ India down to brigade and battalion level but also upwards from battalion and brigade level based on experience in battle that was absorbed into new training instructions Together with the added impetus for education in the army by 1945 the Indian Army had become a modern professional and national army *Sanatoria for Consumptives in Various Parts of the World (France, Germany, Norway, Russia, Switzerland, the United States and the British Possessions)* Frederick Rufenacht Walters,1899 Markets and Prices Pakistan. Cooperation and Marketing Dept,1956 *Contemporary Afghanistan* Shyam Bhatia,2003 Attempts To List Some Bewildering Recent Changes In Afghanistan Affecting Both People And Place Has A Brief Compendium Of Names And Places In Contemporary Afghanistan Details Of All Cabinet Members And Views Of Afghan Delegates Who Altered The Loya Jirga In Kabul In 2002 Contains Relevent U N Documents **All Hands** ,1955 The Unitarian Register ,1928

pons substantiv tabellen ungarisch klett hu - Mar 30 2022

web pons substantiv tabellen ungarisch termékünk most 2 989 ft ért vásároljon kényelmesen és biztonságosan webáruházunkból akár percek alatt weboldalunk cookie kat használ hogy a lehető legjobb felhasználói élményt nyújtsa pons önálló nyelvtanulás termékjelleg nyelvtan súly 255 g termék címkék

pons substantiv tabellen ungarisch substantivformen und - Jul 14 2023

web pons substantiv tabellen ungarisch substantivformen und deklinationen by rita hegedüs orientation sutd edu sg keywords klett bücher aus diesem verlag isbn beginnen mit 978 3 produktkatalog 2011 polnisch bücher grammatik ungarisch deutsch übersetzer pons substantivtabellen ungarisch pons pons substantivtabellen ungarisch pons

pons substantiv tabellen ungarisch substantivform - Apr 30 2022

web pons substantiv tabellen ungarisch substantivform stackdockeridp fixspec com author lacey august subject der vokalismus des vulgärlatein created date 9 7 2023 11 03 27 pm

pons substantiv tabellen ungarisch substantivform - Jan 08 2023

web pons substantiv tabellen ungarisch substantivform 3 3 of use in contemporary polish the grammar is a comprehensive work and an invaluable resource for students and anyone interested in linguistics and the way modern polish works features include coverage of all parts of speech full cross referencing well selected and illuminating

free pons substantiv tabellen ungarisch substantivform - Dec 07 2022

web apr 13 2023 fachs deutsch als fremdsprache pons substantiv tabellen ungarisch mar 17 2023 74 mustersubstantivtabellen mit sämtlichen deklinationsformen der ungarischen sprache für ungarischlerner aller

sprachniveaus sprachtheorie und sprachliches handeln dec 22 2020 sprache und sprachwissenschaft nov 13 2022

pons substantiv tabellen ungarisch substantivformen und - Nov 06 2022

web jun 8 2023 pons substantiv tabellen ungarisch substantivformen und deklinationen rita hegedüs isbn 9783125605046
kostenloser versand für alle bücher mit versand und verkauf duch pons substantiv tabellen polnisch übersichtlich und
umfassend die wichtigsten substantivformen nachschlagen

pons substantiv tabellen ungarisch substantivformen und - Jun 01 2022

web jun 20 2023 pons substantiv tabellen ungarisch substantivformen und deklinationen rita hegedüs isbn 9783125605046
kostenloser versand für alle bücher mit versand und verkauf duch substantivformen und deklinationen format 15 x 20 8 cm
ca 80 seiten buch isbn 978 3 12 560504 6 das produkt befindet sich nicht mehr im sortiment pons

amazon com pons verbtabelle ungarisch 9783125611665 - Jan 28 2022

web alles was drinstehen soll steht drinnen hilft beim lernen der verbabwandlungen sehr gut ich verwende es immer wieder
um nachzuschlagen wenn ich unsicher bin ungarisch ist sowieso schon schwer zu lernen aber mit der verbtabelle wenigstens
ein

pons verbtabelle ungarisch verben übersichtlich und - Jul 02 2022

web pons verbtabelle ungarisch verben übersichtlich und umfassend alle formen und konjugationen Übersichtliche kompakt
leicht verständliche erklärungen hegedüs rita isbn 9783125611665 kostenloser versand für

pons substantiv tabellen ungarisch substantivformen und - Aug 15 2023

web pons substantiv tabellen ungarisch substantivformen und deklinationen isbn 9783125605046 kostenloser versand für
alle bücher mit versand und verkauf duch amazon

pons substantiv tabellen ungarisch substantivformen und - Oct 05 2022

web jun 13 2023 pons substantiv tabellen ungarisch substantivformen und deklinationen by rita hegedüs pons substantiv
tabellen polnisch substantivformen und deklinationen 2006 978 3 12 560502 2 vyacheslav andriy chuk pons substantiv tabellen
russisch übersichtlich und umfassend 978 3 12 560504 6 rita hegedüs pons substantiv

pons substantiv tabellen ungarisch substantivform pdf 2023 - Apr 11 2023

web however set within the lyrical pages of pons substantiv tabellen ungarisch substantivform pdf a charming work of
literary splendor that pulses with natural feelings lies an remarkable journey waiting to be embarked upon written by way of
a virtuoso wordsmith this enchanting opus manuals visitors on a mental odyssey delicately revealing

pons substantiv tabellen ungarisch substantivformen und - Aug 03 2022

web september 24th 2019 pons substantiv tabellen ungarisch substantivformen und deklinationen rita hegedüs isbn
9783125605046 kostenloser versand für alle bücher mit versand und verkauf duch

pons substantiv tabellen ungarisch substantivform 2022 - Sep 04 2022

web pons substantiv tabellen ungarisch substantivform 3 3 this new situation dealing in particular with multilingual and electronic lexicography in an increasingly digital multilingual and multicultural society this is the main objective of this volume which is structured in two central aspects in the first of them the concept of multilingual

pons substantiv tabellen ungarisch substantivformen und - May 12 2023

web pons substantiv tabellen ungarisch substantivformen und deklinationen by rita hegedüs keywords substantiv by tabellen und hegedüs pons deklinationen substantivformen ungarisch rita

pons substantiv tabellen ungarisch oxford corner könyves - Feb 26 2022

web pons substantiv tabellen ungarisch isbn 9783125605046 könyvesboltunk idegennyelvi könyvek szótárak szépirodalom kiskereskedelmi forgalmazásával foglalkoz

pons substantiv tabellen ungarisch substantivform - Feb 09 2023

web pons substantiv tabellen ungarisch substantivform 1 pons substantiv tabellen ungarisch substantivform this is likewise one of the factors by obtaining the soft documents of this pons substantiv tabellen ungarisch substantivform by online you might not require more get older to spend to go to the book introduction as skillfully as

pons substantiv tabellen ungarisch substantivformen und - Mar 10 2023

web pons substantiv tabellen ungarisch substantivformen und deklinationen by rita hegedüs survey thecube gr keywords produktkatalog 2011 pons substantivtabellen ungarisch pons polnisch bücher grammatik ungarisch deutsch übersetzer pons substantivtabellen ungarisch pons pons substantiv tabellen ungarisch

pons substantiv tabellen ungarisch substantivformen und - Jun 13 2023

web polnisch bücher grammatik ungarisch deutsch übersetzer pons substantivtabellen ungarisch pons klett bücher aus diesem verlag isbn beginnen mit 978 3 pons substantiv tabellen ungarisch substantivformen und pons substantiv tabellen ungarisch Übersichtlich und umfassend produktkatalog 2011 december 28th 2019 bewährten

pons wiktory the free dictionary - Dec 27 2021

web jul 18 2023 to build a bridge over a river pontem facere in flumine to build a bridge over a river inicere pontem there is a bridge over the river pons est in flumine to break down a bridge pontem dissolvere rescindere interscindere b g 2 9 4 ambiguous to build a bridge over a river flumen ponte iungere pons in harry thurston peck editor 1898

principles and practice of surgery 6th edition - Mar 31 2022

web principles and practice of geriatric surgery ronnie ann rosenthal 2013 06 29 principles and practice of geriatric surgery presents the fundamentals of surgical care for the fastest growing segment of the us population providing a vital integration of operative strategies with the physiological changes of aging among the topics covered

[principles and practice of surgery worldcat org](#) - Nov 07 2022

web summary principles and practice of surgery is the surgical companion textbook to the international medical bestseller davidson s principles and practice of medicine

[principles and practice of surgery with student consult online](#) - Jan 09 2023

web may 28 2012 principles and practice of surgery is the surgical companion textbook to the international medical bestseller davidson s principles and practice of medicine

principles and practice of surgery e book 6th edition - Sep 17 2023

web new to this edition the contents have been restructured into three sections principles of perioperative care gastrointestinal surgery and surgical specialties two new chapters have rationalised and amalgamated information on the metabolic response to injury and ethics and pre operative considerations to avoid repetition

[principles and practice of surgery 8th edition](#) - Aug 04 2022

web nov 5 2022 this comprehensive textbook is the surgical companion to the international bestseller davidson s principles and practice of medicine it provides an overview of core surgical topics encountered in an integrated medical curriculum and later in

principles and practice of surgery 6th edition libribook - Sep 05 2022

web oct 6 2017 principles and practice of surgery 6th edition pdf principles and practice of surgery is the surgical companion textbook to the international medical bestseller davidson s principles and practice of medicine

[principles and practice of surgery 6th edition](#) - May 13 2023

web principles and practice of surgery 6th edition principles and practice of surgery is the surgical companion textbook to the international medical bestseller davidson s principles and practice of medicine it is a comprehensive textbook for both the surgical student and trainee guiding the reader through key core surgical topics that are

essential surgery 6th edition elsevier - Jul 03 2022

web dec 17 2019 the principles of operative surgery and pre peri and postoperative care are explained together with outlines of common operations enabling students and trainee surgeons to properly understand procedures and to

principles and practice of surgery 6th edition pdf free download - Jun 02 2022

web nov 22 2019 features principles and practice of surgery 6th edition pdf is the surgical companion textbook to the international medical bestseller davidson s principles and practice of medicine it is a comprehensive textbook for both the surgical student and trainee guiding the reader through key core surgical topics which are encountered

principles and practice of surgery 6th edition with student - Aug 16 2023

web principles and practice of surgery 6th edition with student consult online access a three section textbook of surgical

principles and regional clinical surgery superbly presented with line drawings high quality radiographic images and colour photographs presented in similar form to its

principles and practice of surgery 8th edition elsevier - Oct 06 2022

web feb 26 2022 this comprehensive textbook is the surgical companion to the international bestseller davidson s principles and practice of medicine it provides an overview of core surgical topics encountered in an integrated medical curriculum and later in

principles and practice of surgery 6th edition pdf - Feb 27 2022

web revised updated and enhanced from cover to cover the sixth edition of greenfield s surgery scientific principles and practice remains the gold standard text in the field of surgery it reflects surgery s rapid changes new technologies and innovative techniques integrating new scientific knowledge with evolving changes in surgical care

principles and practice of surgery e book 6th ed ebooks com - Apr 12 2023

web principles and practice of surgery is the surgical companion textbook to the international medical bestseller davidson s principles and practice of medicine it is a comprehensive textbook for both the surgical student and trainee guiding the reader through key core surgical topics which are encountered throughout an integrated medical

principles and practice of surgery 6th edition amazon com - Oct 18 2023

web jun 14 2012 principles and practice of surgery 6th edition is a concise yet comprehensive source of general surgery aimed at the medical student who is seeking more than just the generic knowledge required as well as the junior surgical trainee who wants to consolidate their knowledge base

principles practice of surgery adapted international edition 6th - Feb 10 2023

web amazon in buy principles practice of surgery adapted international edition 6th edition book online at best prices in india on amazon in read principles practice of surgery adapted international edition 6th edition book reviews author details and more at amazon in free delivery on qualified orders

principles and practice of surgery 7th edition elsevier - Mar 11 2023

web jun 3 2017 principles and practice of surgery is the surgical companion textbook to the international medical bestseller davidson s principles and practice of medicine it is a comprehensive textbook for both the surgical student and trainee guiding the reader through key core surgical topics which are encountered throughout an integrated

principles and practice of surgery 6th edition pdf esource svb - May 01 2022

web 6 6 principles and practice of surgery 6th edition 2023 06 01 and supportive data needed to achieve optimal patient outcomes offers thorough coverage of facelift procedures rhinoplasty otoplasty and more along with clinical pearls from masters in the field features hundreds of high quality images including anatomical line art case

[principles and practice of surgery 6th edition](#) - Dec 08 2022

web principles and practice of surgery 6th edition principles and practice of surgery is the surgical companion textbook to the international medical bestseller

principles and practice of surgery e book google books - Jul 15 2023

web principles and practice of surgery e book with student consult online access google books principles and practice of surgery is the surgical companion textbook to the international medical

principles and practice of surgery 8th edition us elsevier health - Jun 14 2023

web description this comprehensive textbook is the surgical companion to the international bestseller davidson s principles and practice of medicine it provides an overview of core surgical topics encountered in an integrated medical curriculum and later in

mackintosh architecture biography university of glasgow - Oct 27 2022

web 2 perilla kinchin tea and taste the glasgow tea rooms 1875 1975 bicester white cockade publishing 2nd edn 1996 perilla kinchin taking tea with mackintosh san francisco pomegranate 1998 perilla kinchin miss cranston patron of charles rennie mackintosh edinburgh nms publishing 1999

miss cranston patron of charles rennie mackintosh alibris - Dec 29 2022

web first published in 1999 miss cranston patron of charles rennie mackintosh is reissued here to mark the 150th anniversary of mackintosh s birth and the legacy of his creative genius this new edition is in a larger format the text has been updated and there are now 60 colour pictures miss kate cranston opened four glasgow tearooms at the

[charles rennie mackintosh and the rooms that inspired europe](#) - Sep 06 2023

web jun 7 2018 but for all his faults there was one wealthy patron who returned to mackintosh time and again miss catherine cranston the empress of glasgow s tea rooms

[miss cranston patron of charles rennie mackintosh scots](#) - Jul 24 2022

web aug 17 1999 miss cranston patron of charles rennie mackintosh scots lives kinchin perilla on amazon com free shipping on qualifying offers miss cranston patron of charles rennie mackintosh scots lives

the tea rooms that brought mackintosh back to life bbc news - Apr 01 2023

web aug 5 2018 in europe mackintosh and his wife artist margaret macdonald were lauded by the avant garde secessionist movement but in his home city there were few patrons as keen as miss cranston to allow

[miss cranston patron of charles rennie mackintosh paperback](#) - Apr 20 2022

web buy miss cranston patron of charles rennie mackintosh by kinchin perilla online on amazon ae at best prices fast and free shipping free returns cash on delivery available on eligible purchase

catherine cranston wikipedia - Oct 07 2023

web catherine cranston 27 may 1849 18 april 1934 widely known as kate cranston or miss cranston was a leading figure in the development of tea rooms she is nowadays chiefly remembered as a major patron of charles rennie mackintosh and margaret macdonald in glasgow scotland

details for miss cranston patron of charles rennie mackintosh - Nov 27 2022

web miss cranston patron of charles rennie mackintosh perilla kinchin by kinchin perilla 1951 contributor s edinburgh national museums of scotland edinburgh national museums of scotland 1999 language g series scots lives publication details edinburgh national museums of scotland 1999

charles rennie mackintosh wikipedia - Feb 28 2023

web the charles rennie mackintosh society encourages greater awareness of the work of mackintosh as an architect artist and designer the rediscovery of mackintosh as a significant figure in design has been attributed to the designation of glasgow as european city of culture in 1990 38 and exhibition of his work which accompanied the year long

[rachel cranston ncis database fandom](#) - Nov 15 2021

web rachel cranston formerly rachel todd is a doctor a psychologist and also the older sister of deceased secret service agent turned ncis special agent caitlin todd take your favorite fandoms with you and never miss a

cranston woman starred in prince music video mourns icon - Jan 18 2022

web lee knew prince before moving to cranston in the late 1990s she was an actress and stunt woman in los angeles she was also in the music video for prince s song insatiable when she watched

charles rennie mackintosh design museum - Jan 30 2023

web feb 16 2016 the most generous and constant patron of mackintosh miss cranston employed him in the design of all her tea rooms and entrusted him with more and more responsibility at the time glasgow tea rooms were unique as places where people of different classes could meet friends relax and enjoy non alcoholic refreshments in a

miss cranston patron of charles rennie mackintosh scots lives - May 02 2023

web may 6 1999 miss cranston patron of charles rennie mackintosh 12 46 4 only 1 left in stock more on the way miss cranston the creator of glasgow s tearooms embodies the qualities which produced glasgow s great achievements with her capacity for hard work her commitment to quality and her adventurous interest in the new

miss cranston patron of charles rennie mackintosh pdf - May 22 2022

web miss cranston patron of charles rennie mackintosh charles rennie mackintosh jan 10 2023 this volume concentrates on the work of charles rennie mackintosh influential scottish architect artist and designer who painted flowers and plants prolifically throughout his career it traces the

[mackintosh architecture the catalogue browse display](#) - Mar 20 2022

web 3 perilla kinchin miss cranston patron of charles rennie mackintosh edinburgh nms publishing 1999 p 83 83 4 thomas howarth charles rennie mackintosh and the modern movement london routledge kegan paul 2nd edn 1977 p 131

[charles rennie mackintosh the metropolitan museum of art](#) - Jun 03 2023

web miss cranston one of mackintosh s most important clients was the proprietress of a group of highly successful tearooms in glasgow many of which she had mackintosh design with its uncompromising shape and brilliant abstract panel of glass the washstand shows the architect designer at the height of his creative powers

mackintosh architecture the catalogue browse display - Sep 25 2022

web 2 perilla kinchin miss cranston patron of charles rennie mackintosh edinburgh nms publishing 1999 p 22 perilla kinchin tea and taste the glasgow tea rooms 1875 1975 wendlebury oxon white cockade 1991 pp 36 9

miss cranston patron of charles rennie mackintosh uniport edu - Dec 17 2021

web apr 11 2023 miss cranston patron of charles rennie mackintosh 2 11 downloaded from uniport edu ng on april 11 2023 by guest on the vienna secession and crowning works of architecture such as the glasgow school of art the informed text and beautiful images of key artworks give depth and fuller understanding to create a beautifully rich and enjoyable

miss cranston patron of charles rennie mackintosh paperback - Aug 05 2023

web first published in 1999 miss cranston patron of charles rennie mackintosh is reissued here to mark the 150th anniversary of mackintosh s birth and the legacy of his creative genius this new edition is in a larger format the text has been updated and there are now 60 colour pictures

miss cranston patron of charles rennie mackintosh goodreads - Jul 04 2023

web jan 1 1999 miss cranston patron of charles rennie mackintosh perilla kinchin 5 00 1 rating0 reviews miss kate cranston opened four glasgow tearooms at the end of the 19th century beginning of the 20th including the famous willow tea rooms

charles rennie mackintosh for miss cranston s tearooms lyon - Jun 22 2022

web in 1898 early in the career of renowned scottish architect charles rennie mackintosh 1868 1928 entrepreneur catherine cranston known simply as miss cranston commissioned him to furnish her new rooms at her tearooms on argyle street glasgow

miss cranston patron of charles rennie mackintosh 2023 - Feb 16 2022

web miss cranston patron of charles rennie mackintosh tea and taste proceedings of the society of antiquaries of scotland jugendstil women and the making of modern design annual report of the columbia institution for the deaf to the secretary of the interior charles rennie mackintosh national art collections fund review

[miss cranston patron of charles rennie mackintosh](#) - Aug 25 2022

web miss cranston patron of charles rennie mackintosh by perilla kinchin paperback 96 pages see other available editions
description art patron and businesswoman miss cranston used her extraordinary taste and individuality to improve the
quality of life this biography presents miss cranston s life and vision

Enjoying the Track of Expression: An Mental Symphony within **Khyber Owners Manual**

In some sort of eaten by screens and the ceaseless chatter of instantaneous transmission, the melodic beauty and emotional symphony produced by the prepared term often fade into the background, eclipsed by the persistent noise and distractions that permeate our lives. However, situated within the pages of **Khyber Owners Manual** a stunning literary value filled with organic feelings, lies an immersive symphony waiting to be embraced. Constructed by a wonderful composer of language, this charming masterpiece conducts visitors on an emotional trip, well unraveling the concealed melodies and profound affect resonating within each carefully constructed phrase. Within the depths of the touching review, we will investigate the book is central harmonies, analyze its enthralling publishing model, and surrender ourselves to the profound resonance that echoes in the depths of readers souls.

https://offsite.creighton.edu/files/virtual-library/Documents/my_little_pony_season_10_2022.pdf

https://offsite.creighton.edu/files/virtual-library/Documents/my_friend_dahmer_drawings.pdf

https://offsite.creighton.edu/files/virtual-library/Documents/most_dangerous_game_pdf.pdf

Table of Contents Khyber Owners Manual

1. Understanding the eBook Khyber Owners Manual
 - The Rise of Digital Reading Khyber Owners Manual
 - Advantages of eBooks Over Traditional Books
2. Identifying Khyber Owners Manual
 - Exploring Different Genres
 - Considering Fiction vs. Non-Fiction
 - Determining Your Reading Goals

3. Choosing the Right eBook Platform
 - Popular eBook Platforms
 - Features to Look for in an Khyber Owners Manual
 - User-Friendly Interface
4. Exploring eBook Recommendations from Khyber Owners Manual
 - Personalized Recommendations
 - Khyber Owners Manual User Reviews and Ratings
 - Khyber Owners Manual and Bestseller Lists
5. Accessing Khyber Owners Manual Free and Paid eBooks
 - Khyber Owners Manual Public Domain eBooks
 - Khyber Owners Manual eBook Subscription Services
 - Khyber Owners Manual Budget-Friendly Options
6. Navigating Khyber Owners Manual eBook Formats
 - ePub, PDF, MOBI, and More
 - Khyber Owners Manual Compatibility with Devices
 - Khyber Owners Manual Enhanced eBook Features
7. Enhancing Your Reading Experience
 - Adjustable Fonts and Text Sizes of Khyber Owners Manual
 - Highlighting and Note-Taking Khyber Owners Manual
 - Interactive Elements Khyber Owners Manual
8. Staying Engaged with Khyber Owners Manual
 - Joining Online Reading Communities
 - Participating in Virtual Book Clubs
 - Following Authors and Publishers Khyber Owners Manual
9. Balancing eBooks and Physical Books Khyber Owners Manual
 - Benefits of a Digital Library
 - Creating a Diverse Reading Collection Khyber Owners Manual
10. Overcoming Reading Challenges
 - Dealing with Digital Eye Strain
 - Minimizing Distractions

- Managing Screen Time
- 11. Cultivating a Reading Routine Khyber Owners Manual
 - Setting Reading Goals Khyber Owners Manual
 - Carving Out Dedicated Reading Time
- 12. Sourcing Reliable Information of Khyber Owners Manual
 - Fact-Checking eBook Content of Khyber Owners Manual
 - Distinguishing Credible Sources
- 13. Promoting Lifelong Learning
 - Utilizing eBooks for Skill Development
 - Exploring Educational eBooks
- 14. Embracing eBook Trends
 - Integration of Multimedia Elements
 - Interactive and Gamified eBooks

Khyber Owners Manual Introduction

In the digital age, access to information has become easier than ever before. The ability to download Khyber Owners Manual has revolutionized the way we consume written content. Whether you are a student looking for course material, an avid reader searching for your next favorite book, or a professional seeking research papers, the option to download Khyber Owners Manual has opened up a world of possibilities. Downloading Khyber Owners Manual provides numerous advantages over physical copies of books and documents. Firstly, it is incredibly convenient. Gone are the days of carrying around heavy textbooks or bulky folders filled with papers. With the click of a button, you can gain immediate access to valuable resources on any device. This convenience allows for efficient studying, researching, and reading on the go. Moreover, the cost-effective nature of downloading Khyber Owners Manual has democratized knowledge. Traditional books and academic journals can be expensive, making it difficult for individuals with limited financial resources to access information. By offering free PDF downloads, publishers and authors are enabling a wider audience to benefit from their work. This inclusivity promotes equal opportunities for learning and personal growth. There are numerous websites and platforms where individuals can download Khyber Owners Manual. These websites range from academic databases offering research papers and journals to online libraries with an expansive collection of books from various genres. Many authors and publishers also upload their work to specific websites, granting readers access to their content without any charge. These platforms not only provide access to existing literature but also serve as an excellent platform for undiscovered authors to

share their work with the world. However, it is essential to be cautious while downloading Khyber Owners Manual. Some websites may offer pirated or illegally obtained copies of copyrighted material. Engaging in such activities not only violates copyright laws but also undermines the efforts of authors, publishers, and researchers. To ensure ethical downloading, it is advisable to utilize reputable websites that prioritize the legal distribution of content. When downloading Khyber Owners Manual, users should also consider the potential security risks associated with online platforms. Malicious actors may exploit vulnerabilities in unprotected websites to distribute malware or steal personal information. To protect themselves, individuals should ensure their devices have reliable antivirus software installed and validate the legitimacy of the websites they are downloading from. In conclusion, the ability to download Khyber Owners Manual has transformed the way we access information. With the convenience, cost-effectiveness, and accessibility it offers, free PDF downloads have become a popular choice for students, researchers, and book lovers worldwide. However, it is crucial to engage in ethical downloading practices and prioritize personal security when utilizing online platforms. By doing so, individuals can make the most of the vast array of free PDF resources available and embark on a journey of continuous learning and intellectual growth.

FAQs About Khyber Owners Manual Books

How do I know which eBook platform is the best for me? Finding the best eBook platform depends on your reading preferences and device compatibility. Research different platforms, read user reviews, and explore their features before making a choice. Are free eBooks of good quality? Yes, many reputable platforms offer high-quality free eBooks, including classics and public domain works. However, make sure to verify the source to ensure the eBook credibility. Can I read eBooks without an eReader? Absolutely! Most eBook platforms offer webbased readers or mobile apps that allow you to read eBooks on your computer, tablet, or smartphone. How do I avoid digital eye strain while reading eBooks? To prevent digital eye strain, take regular breaks, adjust the font size and background color, and ensure proper lighting while reading eBooks. What the advantage of interactive eBooks? Interactive eBooks incorporate multimedia elements, quizzes, and activities, enhancing the reader engagement and providing a more immersive learning experience. Khyber Owners Manual is one of the best book in our library for free trial. We provide copy of Khyber Owners Manual in digital format, so the resources that you find are reliable. There are also many Ebooks of related with Khyber Owners Manual. Where to download Khyber Owners Manual online for free? Are you looking for Khyber Owners Manual PDF? This is definitely going to save you time and cash in something you should think about. If you trying to find then search around for online. Without a doubt there are numerous these available and many of them have the freedom. However without doubt you receive whatever you purchase. An alternate way to get ideas is always to check another Khyber Owners Manual. This method for see exactly what may be included and

adopt these ideas to your book. This site will almost certainly help you save time and effort, money and stress. If you are looking for free books then you really should consider finding to assist you try this. Several of Khyber Owners Manual are for sale to free while some are payable. If you arent sure if the books you would like to download works with for usage along with your computer, it is possible to download free trials. The free guides make it easy for someone to free access online library for download books to your device. You can get free download on free trial for lots of books categories. Our library is the biggest of these that have literally hundreds of thousands of different products categories represented. You will also see that there are specific sites catered to different product types or categories, brands or niches related with Khyber Owners Manual. So depending on what exactly you are searching, you will be able to choose e books to suit your own need. Need to access completely for Campbell Biology Seventh Edition book? Access Ebook without any digging. And by having access to our ebook online or by storing it on your computer, you have convenient answers with Khyber Owners Manual To get started finding Khyber Owners Manual, you are right to find our website which has a comprehensive collection of books online. Our library is the biggest of these that have literally hundreds of thousands of different products represented. You will also see that there are specific sites catered to different categories or niches related with Khyber Owners Manual So depending on what exactly you are searching, you will be able to choose ebook to suit your own need. Thank you for reading Khyber Owners Manual. Maybe you have knowledge that, people have search numerous times for their favorite readings like this Khyber Owners Manual, but end up in harmful downloads. Rather than reading a good book with a cup of coffee in the afternoon, instead they juggled with some harmful bugs inside their laptop. Khyber Owners Manual is available in our book collection an online access to it is set as public so you can download it instantly. Our digital library spans in multiple locations, allowing you to get the most less latency time to download any of our books like this one. Merely said, Khyber Owners Manual is universally compatible with any devices to read.

Find Khyber Owners Manual :

my little pony season 10 2022

[my friend dahmer drawings](#)

most dangerous game pdf

muchos vs muchas

[my secret life webcomic](#)

modern day johnny cash

[my big life journal](#)

music artist marketing plan example

myth god of asgard

monologues for 10 year olds

mole/mass problems worksheet answers

my favorite is monsters

my second chance mate harmony and trevor

monarch butterfly mk ultra

myworld social studies

Khyber Owners Manual :