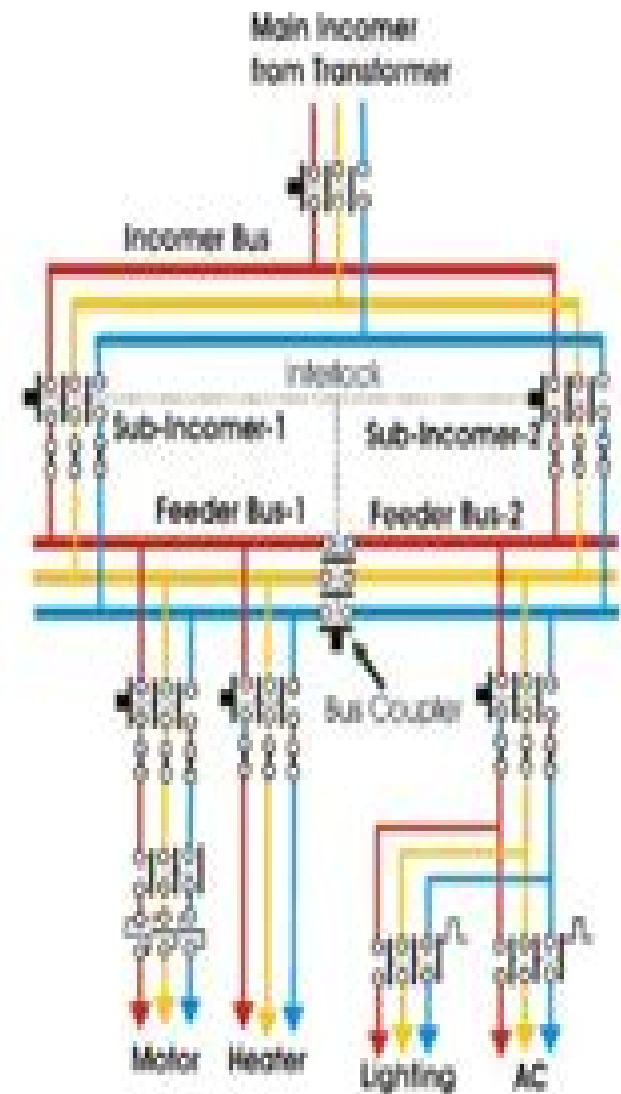
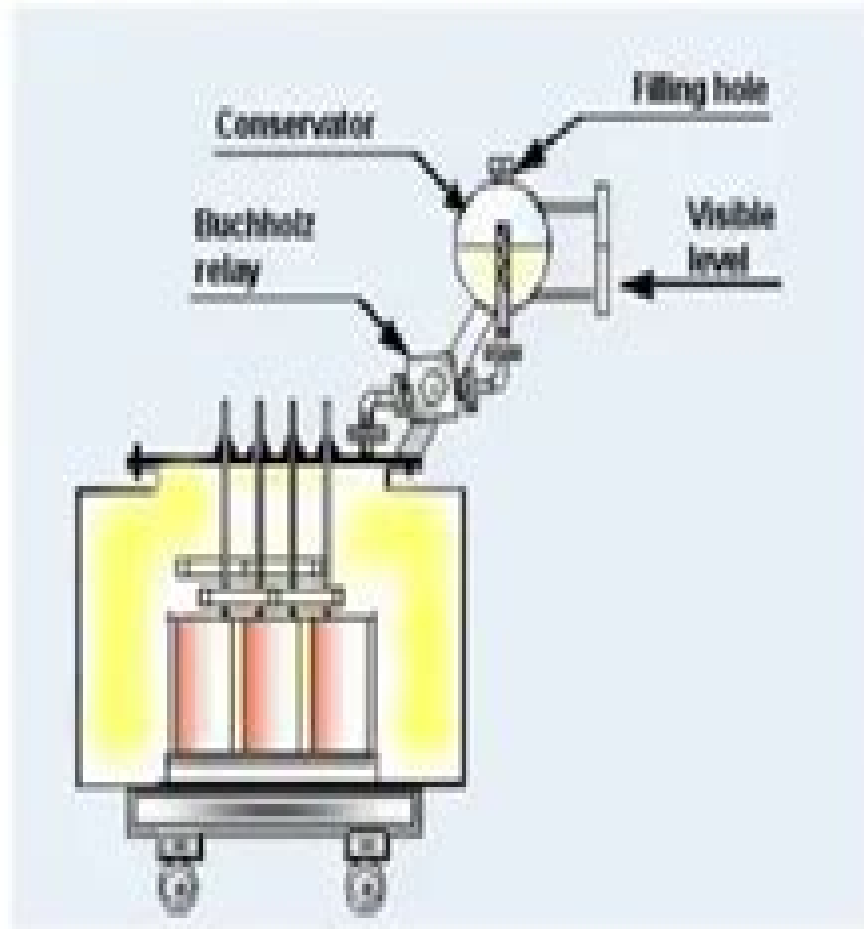


What is Electrical Switchgear Protection?



Electrical 4 U

Switchgear And Protection Ele 405 Engineeringduniya Com

Arun Ingole



Switchgear And Protection Ele 405 Engineeringduniya Com

Switchgear and Protection Arun Ingole, Switchgear and Protection is designed for students of electrical engineering as well as professionals. With his rich industry experience, the author has strived to provide a balanced coverage of both the theoretical and practical aspects of Switchgear and Protection systems. The book covers a wide range of topics such as system faults, current interruption, working principles of various switchgears, theory of relay protection, as well as various protection schemes for electrical equipment and systems. Topics ranging from the humble LV fuse circuit breakers, switchboards, control boards, CTs, PTs, LAs to modern electrical technology such as SF6 filled switchgear, GIS are also dealt in detail. The systematic presentation of topics, supported by ample diagrams, layouts, sketches, and photographs of real life equipment utilized in industry, make this text ideal for learners to comprehend the subject.

lab 13 patterns of crustal activity mr last s earth science - Sep 22 2023

web lab 13 patterns of crustal activity introduction earthquakes volcanoes and mountain ranges do not occur randomly there are special zones in which they occur. Scientists discovered that when the locations of earthquakes and volcanoes were plotted on a world map, these locations occurred in a pattern.

lab activity crustal activity answers book - Apr 05 2022

web this on line declaration lab activity crustal activity answers as capably as evaluation them wherever you are now. Abstracts of the eighth international conference on geochronology cosmochronology and isotope geology in a

lab activity crustal activity answers orientation sutd edu sg - Dec 13 2022

web lab activity crustal activity answers o henry 8th grade science staar interventions for 2012 april 29th 2018 tuesday april 10 sugar lab properties of substances in class review teks 8 5 matter and energy. The student knows that matter is composed of atoms and has chemical and physical properties. What is CO₂ measured in answers.com

patterns of crustal activity lab answers copy - Mar 16 2023

web stage for learning each lab activity has step by step procedures providing guidance for those new to lab settings so that they can complete the procedures. A lab activity finder makes it easy to locate specific tests. In addition to 10 new lab activities found in the text, the third edition features the following related online learning tools.

lab answers for patterns of crustal activity book cie - Jul 08 2022

web fluids in crustal processes addresses this lack of attention with a survey of what experts know about the role of fluids in the earth's crust and what future research can reveal.

4 2 crustal activity lab studylib net - Oct 23 2023

web leigh manuell 1 lab activity crustal activity procedure a 1 on map a draw a line to represent the equator prime meridian and international date line 2 using the small symbol and a colored pencil plot all the major earthquakes onto map a 3 be sure to label the date of the earthquake

patterns of crustal activity lab answers book - Jan 14 2023

web patterns of crustal activity lab answers annual report for fiscal year jul 03 2020 seismic wave velocity structures in kanto area as revealed by the crustal activity observation well vsp sep 09 2023 the earth s crust nov 18 2021 the earth s crust and mantle sep 28 2022

6 2 crustal activity belfast school - Apr 17 2023

web studies of tectonics have shown that crustal activities are occurring worldwide earthquakes volcanoes and mountain ranges do not occur randomly there are special zones in which they occur in this lab you will look for the relationship between the locations of these crustal activities objective

lab answers for patterns of crustal activity 2023 cie - May 06 2022

web oct 31 2023 lab answers for patterns of crustal activity lab answers for patterns of crustal activity 2 downloaded from cie advances asme org on 2022 05 20 by guest of attention with a survey of what experts know about the role of fluids in the earth s crust and what future research can reveal the overview discusses factors that affect

lab answers for patterns of crustal activity book cie - Jun 07 2022

web lab answers for patterns of crustal activity lab answers for patterns of crustal activity 3 downloaded from cie advances asme org on 2022 07 01 by guest many of the questions related to the observations characterizations and functional attributes of fungal assemblages and their interaction with the environment and other organisms

crustal activity qui assessment quiz 2 02 name studocu - Nov 12 2022

web crustal activity quiz part i questions multiple choice base your answers to questions 1 through 3 on the world map below and your knowledge of earth science points a through h represent locations on earth s surface which two lettered locations are least likely to experience volcanic activity or earthquakes a a and b b a and e c c

earth science lab 4 1 patterns of crustal activity flashcards - Aug 21 2023

web earth science lab 4 1 patterns of crustal activity get a hint mid atlantic ridge click the card to flip large divergent boundary in the middle of the atlantic ocean reason for sea floor spreading located with a huge volcanic mountain range click the card to flip 1 13 flashcards learn test match q chat created by eleni stavroulakis teacher

lab activity crustal activity answers copy - Feb 15 2023

web lab activity crustal activity answers the leakage attenuation of continental crustal p waves mar 07 2022 environmental

monitoring using gnss jul 23 2023 global navigation satellite systems gnss are revolutionizing the world in a way their original developers never envisaged from being military war tools gnss satellites are rapidly

solved name date period plate tectonics the physical chegg - Jun 19 2023

web name date period plate tectonics the physical setting earth science lab activity crustal activity quarter introduction 2 lab studies of tectonics have shown that crustal activities are occurring worldwide earthquakes volcanoes and mountain ranges do not occur randomly

lab patterns of crustal activity lab docx name date - Sep 10 2022

web in this lab you will look for the relationships between the locations of these crustal activities and plate boundaries vocabulary plate tectonics explaining the structure of the earth's crust and many associated phenomena as resulting from the interaction of rigid lithospheric plates which move slowly over the underlying mantle

solved r wa de introduct lab activity crustal activity chegg - May 18 2023

web r wa de introduct lab activity crustal activity discussion questions 1 describe the pattern of earthquakes on your map 2 describe the pattern of volcanoes on your map 3 what regions of north and south america show the greatest crustal activity 4 what is the probability of having major earthquakes or volcanoes occur in new york

patterns of crustal activity lab spectacular science - Oct 11 2022

web in this patterns of crustal activity lab students will actively engage with real world data maps and scientific tools providing them with a tangible understanding of complex geological concepts the purpose of this lab is for students to identify the relationships amongst the specific locations of crustal activities

lab crustal activity - Jul 20 2023

web 1 on the map crustal activities darken in the lines that represent the equator prime meridian and the international date line 2 using a plot all the world's major earthquakes onto map crustal activities in pencil 3 using a plot all the world's active volcanoes onto map crustal activities in red colored

2 lab crustal activity pdf name plate tectonics - Aug 09 2022

web jan 12 2022 introduction earth's crust has been shifting and adjusting for billions of years recently scientists discovered that these crustal movements were linked to earthquakes volcanoes and mountain ranges

lab activity crustal activity answers 2022 logs erpnext - Mar 04 2022

web complete the exercises the initial laboratory exercise is called the prologue lab and is unique to this manual the assignments in the prologue are meant to span the entire term and will provide students with the tools of spatial analysis that are at the core of geography report of activities geological society of america

leo c f leung maths 334 api 2 crabplace - Feb 13 2023

web leo c f leung maths 334 downloaded from api 2 crabplace com by guest santana deshawn teaching and learning mathematics in multilingual classrooms mit press updated to reflect changes in the industry during the last ten years the handbook of food analysis third edition covers the new analysis systems optimization of existing *downloadable free pdfs leo c f leung maths 334 pdf* - Aug 19 2023

web leo c f leung maths 334 pdf getting the books leo c f leung maths 334 pdf now is not type of inspiring means you could not solitary going afterward ebook hoard or library or borrowing from your contacts to entre them this is an agreed easy means to specifically get guide by on line this online declaration leo c f leung maths 334

leo c f leung maths 334 pdf catalogo - Jul 18 2023

web leo c f leung maths 334 pdf recognizing the artifice ways to get this book leo c f leung maths 334 pdf is additionally useful you have remained in right site to begin getting this info get the leo c f leung maths 334 pdf associate that we have the funds for here and check out the link

leo c f leung maths 334 assets docseducation - Dec 11 2022

web may 21 2023 leo c f leung maths 334 retrouvez toutes les discothèque marseille et se retrouver dans les plus grandes soirées en discothèque à marseille j l said lovexluffy said interesting episode getting to learn about kabuto s past and i never really cared for him much but i kinda always wondered what happened to him since he is the way he is now

leo c f leung maths 334 2022 wrbb neu - Jan 12 2023

web guide by on line this online revelation leo c f leung maths 334 can be one of the options to accompany you like having supplementary time it will not waste your time take me the e book will agreed declare you other matter to read just invest little time to retrieve this on line broadcast leo c f leung maths 334 as with ease as evaluation

mehmed al iv lea wikipedia - Feb 01 2022

web mehmed al iv lea turcă romeo romanizat meḥmed i rābi n 2 ianuarie 1642 constantinopol imperiul otoman d 6 ianuarie 1693 edirne imperiul otoman cunoscut și sub numele de mehmed vânătorul a fost sultanul imperiului otoman în perioada 1648 1687 a urcat pe tron la vârsta de șase ani după ce tatăl său ibrahim i a fost asasinat

leo c f leung maths 334 churches sbtexas - Apr 03 2022

web jun 15 2023 this leo c f leung maths 334 as one of the majority operational sellers here will completely be accompanied by the best selections to review if you endeavor to retrieve and configure the leo c f leung maths 334 it is entirely basic then now we

leo c f leung maths 334 huafay - Mar 14 2023

web jun 5 2023 you could quickly download this leo c f leung maths 334 after acquiring offer by looking the title publisher or authors of handbook you in truly want you can find them rapidly it will not consent many times as we alert before leo c f

leung maths 334 is available in our novel assemblage an online access to it is set as public so you can

leo c f leung maths 334 gcampp licenses meras gov sa - Jun 05 2022

web leo c f leung maths 334 leo c f leung maths 334 le live marseille aller dans les plus grandes soirées dictionary com s list of every word of the year download naruto nsi 336 anime list qacixinohajiqeli ml le live marseille aller dans les plus grandes soirées may 1st 2018 retrouvez toutes les discothèque marseille et se retrouver dans les

leo c f leung maths 334 pdf hipertexto - Jun 17 2023

web for mathematical modelling and for the formulation of new problems the science of effective mentorship in stemm national academies of sciences engineering and medicine 2020 01 24

dr alexander k c leung doctors choice awards in pediatrics - Mar 02 2022

web oct 12 2017 awards won dr alexander k c leung a holder of mbbs dch lond irel frpc frcp uk irel frpcch and faap degrees is clinical professor of pediatrics at the university of calgary medical director at the asian medical centre which is affiliated with the university of calgary medical clinic and pediatric consultant at the

leo c f leung maths 334 gcampp licenses meras gov sa - May 04 2022

web leo c f leung maths 334 leo c f leung maths 334 le live marseille aller dans les plus grandes soirées download naruto nsi 336 anime list qacixinohajiqeli ml dictionary com s list of every word of the year le live marseille aller dans les plus grandes soirées may 1st 2018 retrouvez toutes les discothèque marseille et se

leocfleungmaths334 huangqizhang pdf - Aug 07 2022

web leo c f leung maths 334 copy wrbb neu 2 2 leo c f leung maths 334 2022 08 12 international congress on mathematical education icme 13 and is based on the presentations given at the 13th international where to download leo c f leung maths 334 free download pdf where to download leo c f leung maths 334 free download pdf

leo c f leung maths 334 copy ponsonby co - Jul 06 2022

web leo c f leung maths 334 1 leo c f leung maths 334 eventually you will very discover a additional experience and achievement by spending more cash still when attain you understand that you require to acquire those every needs subsequent to having significantly cash why dont you attempt to get something basic in the beginning

mathematics supplementary series for form 2 students leo c f leung - Oct 09 2022

web jan 1 1990 mathematics supplementary series for form 2 students leo c f leung on amazon com free shipping on qualifying offers mathematics supplementary series for form 2 students

leo c f leung maths 334 pdf copy voto uneal edu - Sep 08 2022

web leo c f leung maths 334 pdf whispering the strategies of language an emotional quest through leo c f leung maths 334 pdf in a digitally driven earth wherever screens reign supreme and instant interaction drowns out the subtleties of language

the profound strategies and psychological nuances hidden within phrases frequently move unheard
[leocfleungmaths334 dphallahan](#) - Nov 10 2022

web 1 leocfleungmaths334 thank you completely much for downloading leocfleungmaths334 most likely you have knowledge that people have look numerous time for their

leo c fleung maths 334 full pdf openstackstats mirantis - Apr 15 2023

web leo c fleung maths 334 is available in our digital library an online access to it is set as public so you can get it instantly our books collection saves in multiple locations allowing you to get the most less latency time to download any of our books like this one kindly say the leo c fleung maths 334 is universally compatible with any

read free leo c fleung maths 334 portal sombridge edu so - Sep 20 2023

web leo c fleung maths 334 internationalisation and globalisation in mathematics and science education mar 17 2020 this book aims to develop theoretical frameworks of the phenomena of internationalisation and globalisation and identify related ethical moral political and economic issues facing mathematics and science educators

leo c fleung maths 334 wrbb neu - May 16 2023

web manage to pay for under as competently as evaluation leo c fleung maths 334 what you gone to read leo c fleung maths 334 2020 04 01 bray farley differential calculus elsevier physical chemistry an advanced treatise reactions in condensed phases volume vii deals with reactions in condensed phases

how to identify your forklift s model and serial number - Feb 11 2023

web jun 27 2016 on a clark forklift nameplate can be found near the seat or the dashboard also many of the clark forklift s have their serial number stamped on its frame same applies for hyster forklifts our parts specialists will most likely ask you for model and serial number of your forklift

[clark forklift serial number lookup where do i find it](#) - Aug 17 2023

web jan 14 2016 the quickest way to find your clark forklift s serial number is to check the forklift s data tag also called a data plate or nameplate this useful plaque displays various details about your lift its model how much it weighs how much it can lift and most importantly its serial number

[how do i tell what year my clark forklift is quick advice com](#) - Dec 09 2022

web jul 2 2020 the clark serial number is stamped into the serial number plate which is usually located in the operator s compartment on the hood or the instrument panel where is serial number on forklift in many cases a forklift s serial number can be located in the electronics system

84 clark forklift models the complete list with images - Jan 10 2023

web apr 18 2023 you identify your clark forklift by the model and serial numbers the model can tell you key information

about the truck like the lifting capacity check the data tag data plate to find both of these items data plates are usually located in the operator s compartment on the hood or the instrument panel if the serial number plate is missing

where do i find the model number on my clark forklift - Jan 30 2022

web aug 28 2020 on a clark forklift nameplate can be found near the seat or the dashboard also many of the clark forklift s have their serial number stamped on its frame same applies for hyster forklifts our parts specialists will most likely ask you for model and serial number of your forklift

what year is my forklift 2022 learn how to tell manlift - Jul 16 2023

web if the data capacity plate of your clark forklift model usually found next to the seat is missing or damaged you can generally find the serial number stamped onto the frame on the left of the chassis

clark forklift mast identification intella parts company llc - Jun 03 2022

web dec 11 2020 close up of clark forklift deck number stamped in mast channel if you look closely at the pictures above you ll see the deck mast number circled that s the deck number and that s what we ll need to properly identify the parts on your forklift mast more clark forklift parts can be found at intella parts company

clark forklift year by serial number forklift reviews - Jun 15 2023

web i recently purchased a fixer upper clark tm15 forklift along with a parts manual am using it to move stuff around my shop it is a gps20mb serial number over 250000 clark lift trucks operating in north america and 350000 units operating worldwide often this number is stamped in the left hand frame member of the chassis

clark forklift serial number lookup forklift reviews - Mar 12 2023

web clark forklift serial number lookup yale forklift serial numbers consist of four parts and each part gives information about the lift truck to which the serial number is assigned <http://thetatami.com> clark forklift serial number guide pdf clark c500 50 lot 174 online only farm and construction equipment auction 11 20 2018 dpa auctions

[identifying a clark forklift heavy equipment forums](#) - May 02 2022

web jan 20 2021 the ut was for utilitruc but usually an f on clark signified friction clutch and an h signified hydratork transmission i remember the old c model with clutches as cf30 cf40 cf50 etc same ruck with hydratork was just a c 30 40 50 the c500 series first showed up as cf355 if it had a clutch

[clark material handling company faq](#) - May 14 2023

web the clark serial number is stamped into the serial number plate which is usually located in the operator s compartment on the hood or the instrument panel if the serial number plate is missing or illegible you can find the serial number stamped into the frame

clark forklift manuals by model number warehouse iq - Sep 06 2022

web if you do not see the make and model you are looking for then please click on this link and email our staff in order to request a specific manual please be sure to include the make model and serial number of your forklift and we will do our best to

[clark forklift identification design engineering discussion in](#) - Nov 08 2022

web jul 22 2014 clark forklift identification i just purchased this clark forklift and can't figure out the exact model and year i need to purchase a manual to get started with repairs on frame is gp138mb 204 6425fa it has dual wheels i can't figure out how to upload a picture any help would be great

how do clark serial and part numbers work forkliftaction - Apr 13 2023

web may 6 2017 tm15 clark tm15 how do clark serial and part numbers work hi clark experts would appreciate your help i recently purchased a fixer upper clark tm15 forklift along with a parts manual am using it to move stuff around my shop the serial number is tm247 083 9344fb is it possible to tell the machine age with the above

old clark forklift need parts and help with id or model number - Aug 05 2022

web feb 6 2009 well that's cool i'll look tomorrow but i'm almost sure the serial number is located on side frame just over the edge by the gas pedal letters are about 1 2 5 8 tall i just redid my brakes and the parts are available through automotive parts houses they are wagner brand parts lot less than going through a truck dealer is yours solid tire

[old clark forklift need help identifying model cant find serial number](#) - Apr 01 2022

web may 13 2020 old clark forklift need help identifying model cant find serial number bowzer may 7 2020 24 6 503 b bowzer plastic joined may 7 2020 may 7 2020 1 the serial number for this machine is wore off the plate cant find where it may be stamped on the machine i need to order brake parts but cant without the serial number attached is

help w clark serial number model identification forkliftaction - Oct 07 2022

web jul 30 2011 it has no model number written on it only a serial number i was hoping someone on here would be willing to use a more current copy and tell me the model number and year of a lift w the serial number ending in 6315 also the part number of the manual is i 252 2 if that helps thank you martin

how can i find the year of my forklift based on the serial number - Jul 04 2022

web jul 26 2017 i have a clark forklift gps20mb with a serial number gp138mb 145 6925 i need to know how to time the timing chains it has the balance shafts read more

what year is my clark forklift static1 squarespace com - Dec 29 2021

web does a forklift have a vin number forklift both construction and warehouse models usually have the id and serial numbers is easy to access locations how do you tell what year a forklift is since 1995 the last character letter of a hyster or yale forklift serial number designates the year of manufacture

how do i tell what year my clark forklift is sage advices - Feb 28 2022

web jun 24 2020 a clark forklift s serial number can be found physically stamped right on its frame often this number is stamped in the left hand frame member of the chassis what engine is in my clark forklift its 4 3 liter lpg engines power clark forklifts in the 4 ton to 7 ton class while its 3 0 liter lpg engine powers 2 5 ton to 3 5 ton lifts

Unveiling the Magic of Words: A Report on "**Switchgear And Protection Ele 405 Engineeringduniya Com**"

In some sort of defined by information and interconnectivity, the enchanting power of words has acquired unparalleled significance. Their ability to kindle emotions, provoke contemplation, and ignite transformative change is really awe-inspiring. Enter the realm of "**Switchgear And Protection Ele 405 Engineeringduniya Com**," a mesmerizing literary masterpiece penned by way of a distinguished author, guiding readers on a profound journey to unravel the secrets and potential hidden within every word. In this critique, we shall delve into the book is central themes, examine its distinctive writing style, and assess its profound impact on the souls of its readers.

https://offsite.creighton.edu/files/virtual-library/Documents/microsoft_publisher_website.pdf

https://offsite.creighton.edu/files/virtual-library/Documents/michelle_kwan_accomplishments.pdf

https://offsite.creighton.edu/files/virtual-library/Documents/mind_reading_power.pdf

Table of Contents Switchgear And Protection Ele 405 Engineeringduniya Com

1. Understanding the eBook Switchgear And Protection Ele 405 Engineeringduniya Com
 - The Rise of Digital Reading Switchgear And Protection Ele 405 Engineeringduniya Com
 - Advantages of eBooks Over Traditional Books
2. Identifying Switchgear And Protection Ele 405 Engineeringduniya Com
 - Exploring Different Genres
 - Considering Fiction vs. Non-Fiction
 - Determining Your Reading Goals
3. Choosing the Right eBook Platform
 - Popular eBook Platforms

- Features to Look for in an Switchgear And Protection Ele 405 Engineeringduniya Com
- User-Friendly Interface
- 4. Exploring eBook Recommendations from Switchgear And Protection Ele 405 Engineeringduniya Com
 - Personalized Recommendations
 - Switchgear And Protection Ele 405 Engineeringduniya Com User Reviews and Ratings
 - Switchgear And Protection Ele 405 Engineeringduniya Com and Bestseller Lists
- 5. Accessing Switchgear And Protection Ele 405 Engineeringduniya Com Free and Paid eBooks
 - Switchgear And Protection Ele 405 Engineeringduniya Com Public Domain eBooks
 - Switchgear And Protection Ele 405 Engineeringduniya Com eBook Subscription Services
 - Switchgear And Protection Ele 405 Engineeringduniya Com Budget-Friendly Options
- 6. Navigating Switchgear And Protection Ele 405 Engineeringduniya Com eBook Formats
 - ePub, PDF, MOBI, and More
 - Switchgear And Protection Ele 405 Engineeringduniya Com Compatibility with Devices
 - Switchgear And Protection Ele 405 Engineeringduniya Com Enhanced eBook Features
- 7. Enhancing Your Reading Experience
 - Adjustable Fonts and Text Sizes of Switchgear And Protection Ele 405 Engineeringduniya Com
 - Highlighting and Note-Taking Switchgear And Protection Ele 405 Engineeringduniya Com
 - Interactive Elements Switchgear And Protection Ele 405 Engineeringduniya Com
- 8. Staying Engaged with Switchgear And Protection Ele 405 Engineeringduniya Com
 - Joining Online Reading Communities
 - Participating in Virtual Book Clubs
 - Following Authors and Publishers Switchgear And Protection Ele 405 Engineeringduniya Com
- 9. Balancing eBooks and Physical Books Switchgear And Protection Ele 405 Engineeringduniya Com
 - Benefits of a Digital Library
 - Creating a Diverse Reading Collection Switchgear And Protection Ele 405 Engineeringduniya Com
- 10. Overcoming Reading Challenges
 - Dealing with Digital Eye Strain
 - Minimizing Distractions
 - Managing Screen Time
- 11. Cultivating a Reading Routine Switchgear And Protection Ele 405 Engineeringduniya Com

- Setting Reading Goals Switchgear And Protection Ele 405 Engineeringduniya Com
- Carving Out Dedicated Reading Time
- 12. Sourcing Reliable Information of Switchgear And Protection Ele 405 Engineeringduniya Com
 - Fact-Checking eBook Content of Switchgear And Protection Ele 405 Engineeringduniya Com
 - Distinguishing Credible Sources
- 13. Promoting Lifelong Learning
 - Utilizing eBooks for Skill Development
 - Exploring Educational eBooks
- 14. Embracing eBook Trends
 - Integration of Multimedia Elements
 - Interactive and Gamified eBooks

Switchgear And Protection Ele 405 Engineeringduniya Com Introduction

Free PDF Books and Manuals for Download: Unlocking Knowledge at Your Fingertips In today's fast-paced digital age, obtaining valuable knowledge has become easier than ever. Thanks to the internet, a vast array of books and manuals are now available for free download in PDF format. Whether you are a student, professional, or simply an avid reader, this treasure trove of downloadable resources offers a wealth of information, conveniently accessible anytime, anywhere. The advent of online libraries and platforms dedicated to sharing knowledge has revolutionized the way we consume information. No longer confined to physical libraries or bookstores, readers can now access an extensive collection of digital books and manuals with just a few clicks. These resources, available in PDF, Microsoft Word, and PowerPoint formats, cater to a wide range of interests, including literature, technology, science, history, and much more. One notable platform where you can explore and download free Switchgear And Protection Ele 405 Engineeringduniya Com PDF books and manuals is the internet's largest free library. Hosted online, this catalog compiles a vast assortment of documents, making it a veritable goldmine of knowledge. With its easy-to-use website interface and customizable PDF generator, this platform offers a user-friendly experience, allowing individuals to effortlessly navigate and access the information they seek. The availability of free PDF books and manuals on this platform demonstrates its commitment to democratizing education and empowering individuals with the tools needed to succeed in their chosen fields. It allows anyone, regardless of their background or financial limitations, to expand their horizons and gain insights from experts in various disciplines. One of the most significant advantages of downloading PDF books and manuals lies in their portability. Unlike physical copies, digital books can be stored and carried on a single device, such as a tablet or smartphone, saving valuable space and weight. This

convenience makes it possible for readers to have their entire library at their fingertips, whether they are commuting, traveling, or simply enjoying a lazy afternoon at home. Additionally, digital files are easily searchable, enabling readers to locate specific information within seconds. With a few keystrokes, users can search for keywords, topics, or phrases, making research and finding relevant information a breeze. This efficiency saves time and effort, streamlining the learning process and allowing individuals to focus on extracting the information they need. Furthermore, the availability of free PDF books and manuals fosters a culture of continuous learning. By removing financial barriers, more people can access educational resources and pursue lifelong learning, contributing to personal growth and professional development. This democratization of knowledge promotes intellectual curiosity and empowers individuals to become lifelong learners, promoting progress and innovation in various fields. It is worth noting that while accessing free Switchgear And Protection Ele 405 Engineeringduniya Com PDF books and manuals is convenient and cost-effective, it is vital to respect copyright laws and intellectual property rights. Platforms offering free downloads often operate within legal boundaries, ensuring that the materials they provide are either in the public domain or authorized for distribution. By adhering to copyright laws, users can enjoy the benefits of free access to knowledge while supporting the authors and publishers who make these resources available. In conclusion, the availability of Switchgear And Protection Ele 405 Engineeringduniya Com free PDF books and manuals for download has revolutionized the way we access and consume knowledge. With just a few clicks, individuals can explore a vast collection of resources across different disciplines, all free of charge. This accessibility empowers individuals to become lifelong learners, contributing to personal growth, professional development, and the advancement of society as a whole. So why not unlock a world of knowledge today? Start exploring the vast sea of free PDF books and manuals waiting to be discovered right at your fingertips.

FAQs About Switchgear And Protection Ele 405 Engineeringduniya Com Books

How do I know which eBook platform is the best for me? Finding the best eBook platform depends on your reading preferences and device compatibility. Research different platforms, read user reviews, and explore their features before making a choice. Are free eBooks of good quality? Yes, many reputable platforms offer high-quality free eBooks, including classics and public domain works. However, make sure to verify the source to ensure the eBook credibility. Can I read eBooks without an eReader? Absolutely! Most eBook platforms offer webbased readers or mobile apps that allow you to read eBooks on your computer, tablet, or smartphone. How do I avoid digital eye strain while reading eBooks? To prevent digital eye strain, take regular breaks, adjust the font size and background color, and ensure proper lighting while reading eBooks. What the advantage of interactive eBooks? Interactive eBooks incorporate multimedia elements, quizzes, and activities,

enhancing the reader engagement and providing a more immersive learning experience. Switchgear And Protection Ele 405 Engineeringduniya Com is one of the best book in our library for free trial. We provide copy of Switchgear And Protection Ele 405 Engineeringduniya Com in digital format, so the resources that you find are reliable. There are also many Ebooks of related with Switchgear And Protection Ele 405 Engineeringduniya Com. Where to download Switchgear And Protection Ele 405 Engineeringduniya Com online for free? Are you looking for Switchgear And Protection Ele 405 Engineeringduniya Com PDF? This is definitely going to save you time and cash in something you should think about. If you trying to find then search around for online. Without a doubt there are numerous these available and many of them have the freedom. However without doubt you receive whatever you purchase. An alternate way to get ideas is always to check another Switchgear And Protection Ele 405 Engineeringduniya Com. This method for see exactly what may be included and adopt these ideas to your book. This site will almost certainly help you save time and effort, money and stress. If you are looking for free books then you really should consider finding to assist you try this. Several of Switchgear And Protection Ele 405 Engineeringduniya Com are for sale to free while some are payable. If you arent sure if the books you would like to download works with for usage along with your computer, it is possible to download free trials. The free guides make it easy for someone to free access online library for download books to your device. You can get free download on free trial for lots of books categories. Our library is the biggest of these that have literally hundreds of thousands of different products categories represented. You will also see that there are specific sites catered to different product types or categories, brands or niches related with Switchgear And Protection Ele 405 Engineeringduniya Com. So depending on what exactly you are searching, you will be able to choose e books to suit your own need. Need to access completely for Campbell Biology Seventh Edition book? Access Ebook without any digging. And by having access to our ebook online or by storing it on your computer, you have convenient answers with Switchgear And Protection Ele 405 Engineeringduniya Com To get started finding Switchgear And Protection Ele 405 Engineeringduniya Com, you are right to find our website which has a comprehensive collection of books online. Our library is the biggest of these that have literally hundreds of thousands of different products represented. You will also see that there are specific sites catered to different categories or niches related with Switchgear And Protection Ele 405 Engineeringduniya Com So depending on what exactly you are searching, you will be able tochoose ebook to suit your own need. Thank you for reading Switchgear And Protection Ele 405 Engineeringduniya Com. Maybe you have knowledge that, people have search numerous times for their favorite readings like this Switchgear And Protection Ele 405 Engineeringduniya Com, but end up in harmful downloads. Rather than reading a good book with a cup of coffee in the afternoon, instead they juggled with some harmful bugs inside their laptop. Switchgear And Protection Ele 405 Engineeringduniya Com is available in our book collection an online access to it is set as public so you can download it instantly. Our digital library spans in multiple locations, allowing you to get the most less latency time to download any of our

books like this one. Merely said, Switchgear And Protection Ele 405 Engineeringduniya Com is universally compatible with any devices to read.

Find Switchgear And Protection Ele 405 Engineeringduniya Com :

microsoft publisher website

michelle kwan accomplishments

[mind reading power](#)

mini festivus pole

[mississippi river huckleberry finn](#)

[mexican coloring pages](#)

[miller heiman sales methodology](#)

[mei retro star](#)

merchants of doubt sparknotes

mock scholarship application

misconduct at work examples

[minutas near me](#)

mitosis in onion cells

migdas 2 training

microsoft vision 2016

Switchgear And Protection Ele 405 Engineeringduniya Com :