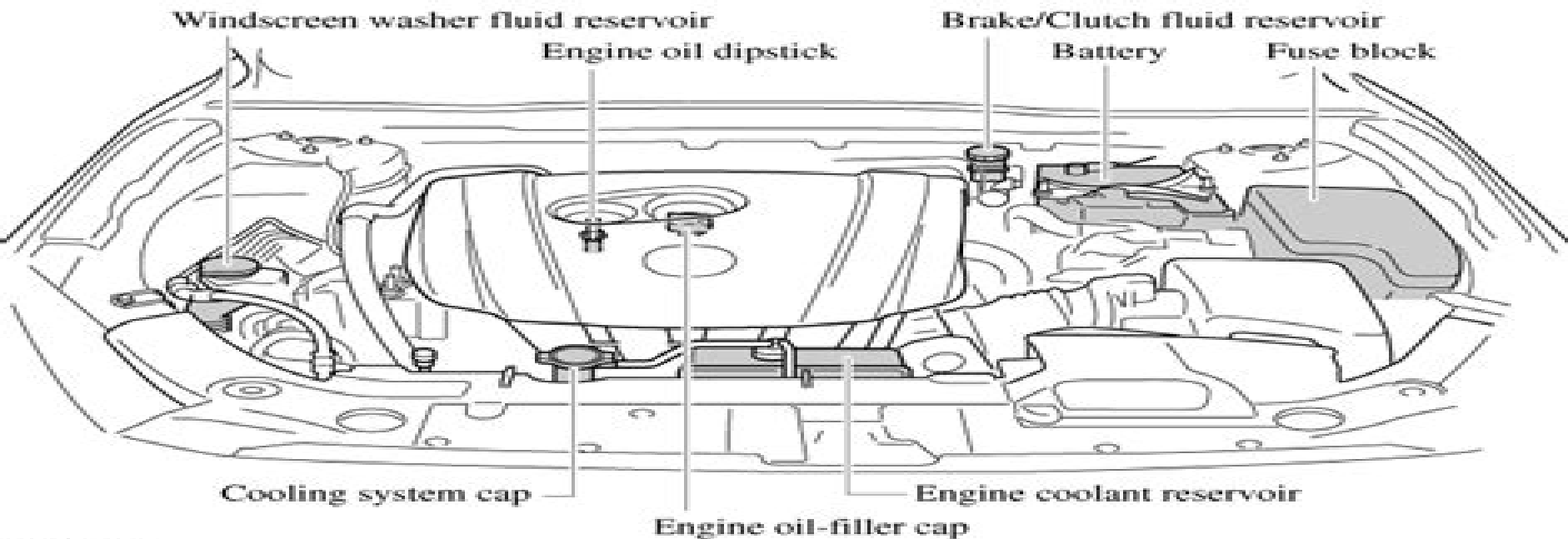
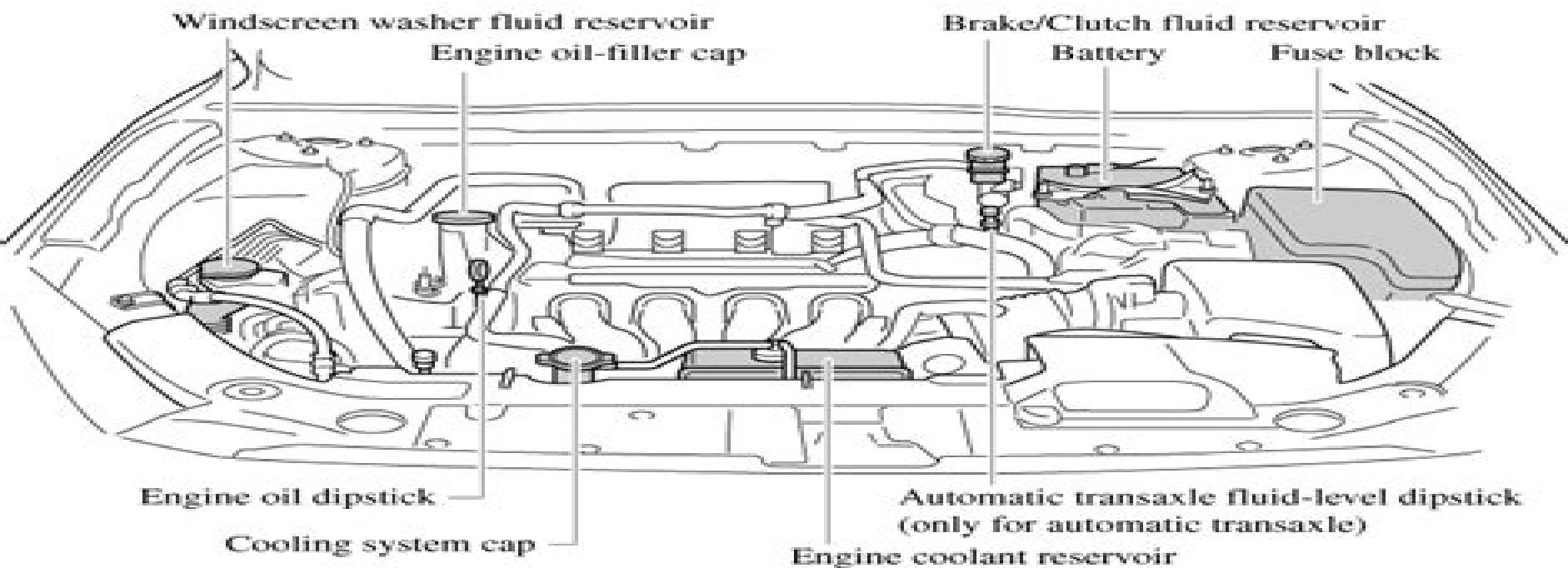


**SKYACTIV-G 1.5, SKYACTIV-G 2.0, and SKYACTIV-G 2.5**



**MZR 1.6**



# **2009 Mazda 3 Parts Manual**

**Editors of Haynes Manuals**



# 2009 Mazda 3 Parts Manual

Mazda 3 Automotive Repair Manual, 2004-2011 Jeff Killingsworth, John H. Haynes, 2013-01-01 This title provides a total introduction to the maintenance and repair of the Mazda 3

**Chilton's Mazda 3 2004-2011 Repair Manual** Jeff Killingsworth, 2012 Covers U S and Canadian models of Mazda3

*The Child's Play Mazda 3* Arnaud Pauly, 2018-01-03 The Child s Play Mazda 3 explains step by step with a picture for each how to do the service of your Mazda 3 It is based on the certainty that everyone can do it if clearly explicated and shown Because it is very simple This manual is suitable for the MAZDA 3 FIRST GENERATION 2003 2007 ENGINE 1 6 L MZ CD COMMON RAIL DIESEL 109 PS 80 KW 240 N M 177 LB FT It contains an accurate list of the tools you need a detailed procedure to do your Mazda 3 service but also to check and replace your brakes pads and discs You will see an example of the service book you should keep up to date and the scheduled maintenance for all the tasks that have to be done to keep your car in the best conditions The main goal is to save money For each maintenance it will cost you from 35e to 50e maximum while it costs more than 200e at your car dealer You save at least 150e per service More than money you save time here We assure you than after the first learning you will not need more than 30 minutes Better than go to the car dealer and wait for two hours The Child s Play Maintenance manuals have the goal to allow anyone to do its car service himself We think your mechanic charge far too much for what it is and we want you to avoid this useless expense The Child s Play Mazda 3 is the first of the serie each manual is specific to a single model location of the parts are different as the way to replace them

**Mazda3 2004 thru 2011** Editors of Haynes Manuals, 2011-09-15 Haynes offers the best coverage for cars trucks vans SUVs and motorcycles on the market today Each manual contains easy to follow step by step instructions linked to hundreds of photographs and illustrations Included in every manual troubleshooting section to help identify specific problems tips that give valuable short cuts to make the job easier and eliminate the need for special tools notes cautions and warnings for the home mechanic color spark plug diagnosis and an easy to use index

**2020 Mazda 3, Owner Manual Compatible with OEM Owners Manual, Factory Glovebox Book** Helming, 2020-10-23

**2017 Kia Sportage Owner Manual Compatible with OEM Owners Manual, Factory Glovebox Book** Helming, 2017-09-15

**Mazda 929, 626, 323/GLC, RX-7, E-series** Mazda Motor Corporation, 1985

*Mazda3, 2004 to 2011*, 2011

**Mazda Pick-ups Automotive Repair Manual** Mike Stubblefield, John Harold Haynes, 1990

**Mazda Pick-up** John Harold Haynes, Peter Ward, 1986

**Perpetual Trouble Shooter's Manual** John Francis Rider, 1936

**Mazda Owners Workshop Manual** A. K. Legg, 1982-01-01

Maximum Boost Corky Bell, 1997-08-10

Whether youre interested in better performance on the road or extra horsepower to be a winner on the track this book gives you the knowledge you need to get the most out of your engine and its turbocharger system Find out what works and what doesnt which turbo is right for your needs and what type of set up will give you that extra boost Bell shows you how to select

and install the right turbo how to prep your engine test the systems and integrate a turbo with EFI or carbureted engine  
Mazda MX-5 Miata 1990 Thru 2009 John H Haynes,2010-09-01 Haynes manuals are written specifically for the do it yourselfer yet are complete enough to be used by professional mechanics Since 1960 Haynes has produced manuals written from hands on experience based on a vehicle teardown with hundreds of photos and illustrations making Haynes the world leader in automotive repair information **Mazda Rotary Engine Manual** ,1972 *Lemon-Aid New Cars and Trucks 2013* Phil Edmonston,2012-12-01 Offers advice for prospective buyers of cars and trucks reveals information on secret warranties and confidential service bulletins and tells how to complain and get results **Mazda Pick-up Owners Workshop Manual** J. H. Haynes,1976 **Lemon-Aid New Cars and Trucks 2012** Phil Edmonston,2011-12-03 Offers advice for prospective buyers of cars and trucks reveals information on secret warranties and confidential service bulletins and tells how to complain and get results Lemon-Aid Used Cars and Trucks 2011-2012 Phil Edmonston,2011-04-25 As Toyota skids into an ocean of problems and uncertainty continues in the U S automotive industry Lemon Aid Used Cars and Trucks 20112012 shows buyers how to pick the cheapest and most reliable vehicles from the past 30 years Lemon Aid guides are unlike any other car and truck books on the market Phil Edmonston Canada s automotive Dr Phil for 40 years pulls no punches Like five books in one Lemon Aid Used Cars and Trucks is an expos of car scams and gas consumption lies a do it yourself service manual an independent guide that covers beaters lemons and collectibles an archive of secret service bulletins granting free repairs and a legal primer that even lawyers cant beat Phil delivers the goods on free fixes for Chrysler Ford and GM engine transmission brake and paint defects lets you know about Corvette and Mustang tops that fly off gives the lowdown on Honda Hyundai and Toyota engines and transmissions and provides the latest information on computer module glitches **Road & Track** ,2000-05

**the lottery rose learning links** - Nov 21 2022

web conjunction with the novel the lottery rose written in chapter by chapter format the guide contains a synopsis pre reading activities vocabulary and comprehension exercises as well as extension activities to be used as follow up to the novel novel ties are either for whole class instruction using a single title or for

**lottery rose lesson plans worksheets reviewed by teachers** - Jun 16 2022

web find lottery rose lesson plans and teaching resources from the lottery rose worksheets to lottery rose by irene hunt videos quickly find teacher reviewed educational resources

**lottery rose teaching resources teachers pay teachers tpt** - Aug 31 2023

web this is a 38 page novel guide for the lottery rose by irene hunt this novel unit includes discussion questions vocabulary graphic organizers characterization activities journal entries a end of novel quiz and book project options this unit

*lessons for teaching the lottery rose bookrags com* - Feb 22 2023

web daily lessons for teaching the lottery rose that focus on specific objectives and offer multiple teaching strategies

*lottery lesson plans worksheets reviewed by teachers* - Jul 18 2022

web lottery for students 6th 8th standards a probability activity presents a lottery game as an idea for a fundraiser pupils analyze the game to determine the number of possible outcomes then determine whether the game would be a good way to raise funds and to support their interactive

**the lottery rose summary supersummary** - Apr 14 2022

web plot summary set in tampa florida newbery award winning american author irene hunt s young adult novel the lottery rose 1976 follows seven year old georgie burgess a lonely boy from an abusive family who hides his pain and anguish by retreating into the wonderful world of secret rose gardens

*the lottery rose by irene hunt 38 page novel guide tpt* - Oct 21 2022

web this is a 38 page novel guide for the lottery rose by irene hunt this novel unit includes discussion questions vocabulary graphic organizers characterization activities journal entries a end of novel quiz and book project options

**rose gifs get the best gif on giphy** - Feb 10 2022

web explore and share the best rose gifs and most popular animated gifs here on giphy find funny gifs cute gifs reaction gifs and more

**the lottery rose lesson plans by bookrags teachers pay teachers** - Jan 24 2023

web the lottery rose lesson plan contains a variety of teaching materials that cater to all learning styles inside you ll find 30 daily lessons 20 fun activities 180 multiple choice questions 60 short essay questions 20 essay questions quizzes homework assignments tests and more

**the lottery rose by apples n acorns tpt** - Dec 23 2022

web the lottery rose novel activity pack includes the following graphic organizers for the story the lottery rose author s purpose for writing the lottery rose interviewing irene hunt author of the lottery rose reading reflection summarizing chapters setting in the lottery rose main idea all about

**the lottery rose vocabulary com** - May 28 2023

web grades 6 8 2023 24 the lottery rose by irene hunt when almost eight year old georgie burgess wins a rosebush from a florida grocery store he seeks to give it the tender loving home that he has never known

**the lottery rose novel unit teacher guides lesson plans activities** - Jun 28 2023

web this novel unit teacher guide for the book the lottery rose by irene hunt has chapter questions vocabulary worksheets and graphic organizers for students to fill in as they analyze the characters and the plot downloadable pdf teacher s pet

publications

[the lottery rose lesson plans for teachers bookrags com](#) - Oct 01 2023

web the lottery rose lesson plan contains a variety of teaching materials that cater to all learning styles inside you ll find 30 daily lessons 20 fun activities 180 multiple choice questions 60 short essay questions 20 essay questions quizzes homework assignments tests and more

[the lottery rose pbworks](#) - Jul 30 2023

web role worksheets from the raisin lessons as guides discuss title and cover and make predictions if the students haven t yet begun reading the book encourage them to speculate about what the book may be about who some of the characters may be etc make sure the students understand the concept of a lottery use the connecticut lottery as

*the lottery rose worksheets and literature unit edhelper* - Sep 19 2022

web free the lottery rose study unit worksheets for teachers to print comprehension by chapter vocabulary challenges creative reading response activities and projects tests and much more worksheets and no prep teaching resources

[the lottery rose objects places bookrags com](#) - May 16 2022

web garden book read more object descriptions this section contains 173 words approx 1 page at 300 words per page view a free sample more summaries and resources for teaching or studying the lottery rose view all lesson plans available from bookrags copyrights the lottery rose from bookrags c 2023 bookrags inc all rights reserved

[the lottery rose story worksheet packet 33 total](#) - Mar 26 2023

web this updated packet in 2023 includes all worksheets for this storyworksheets intended to enhance and supplement your coverage of this story view the preview to see if this packet is a good fit for your classroompacket includes book mosaic stained glass worksheetpyramid summary chapter section w

**the lottery rose wikipedia** - Mar 14 2022

web children s literature portal the lottery rose is a 1976 young adult novel by newbery winning author irene hunt 1 though written at a middle school reading level this book is also suitable for high school readers due to high interest subject matter 2 plot georgie burgess seven and a half years old lives in tampa florida

[comprehensive curriculum based lesson plans the lottery rose](#) - Apr 26 2023

web center activities 28 thinking brainstorming comparing and contrasting evaluating analyzing details comprehension predicting sequencing inference problem solving open the book the lottery rose and read the first paragraph of the story to the students in the group use the brainstorming circle on the bulletin board and define

**fun activities for teaching the lottery rose bookrags com** - Aug 19 2022

web the lottery rose fun activities irene hunt this set of lesson plans consists of approximately 119 pages of tests essay

questions lessons and other teaching materials print word pdf view a free sample news parallels bring in an article from the newspaper that has a story that reminds you of something that happens in the book

**1991 toyota celica factory service manual set original shop** - Feb 25 2022

web to view or download additional manuals for most toyota models produced prior to 1990 you can subscribe to our technical information system tis at

*toyota celica gt 1991 engine 4a fe 1 6l repair manual* - Dec 06 2022

web 1991 toyota celica auto repair manuals auto repair manual books auto repair manuals on cd sort by 1 30 of 105 results haynes manuals automotive heating and

**1991 toyota celica service repair manual software** - Dec 26 2021

**2001 toyota celica repair manual online repairsurge** - Oct 24 2021

**toyota celica repair service manuals 58 pdf s** - Jul 13 2023

web updated june 23 we have 58 toyota celica manuals covering a total of 34 years of production in the table below you can see 0 celica workshop manuals 0 celica

*toyota celica 1993 at200 series repair manual pdf* - Oct 04 2022

web celica forums install guides and technical articles information and articles 7th genies toyota celica repairmanual 1 2 mentors reviews gallery print thread rate

7th gen toyota celica repair manual 1 2 celica hobby free - Apr 29 2022

web jan 7 2023 free pdf toyota celica 1988 repair manual 1986 1987 1988 1989 1990 1991 1992 1993

**1991 toyota celica manuals warranties toyota owners** - Sep 03 2022

web find entirety you need to know regarding your site manual from toyota owners

**2001 toyota celica manuals warranties toyota owners** - Sep 22 2021

manuals warranties toyota owners free pdf 1991 toyota - Mar 29 2022

web free real time updates your manual is updated with revised information as soon as it is released access on your terms unlimited access to your 2001 toyota celica manual

*toyota celica free workshop and repair manuals* - Aug 14 2023

web toyota celica workshop repair and owners manuals for all years and models free pdf download for thousands of cars and trucks

[toyota celica repair manual free download](#) - Mar 09 2023

web view and download toyota celica 1993 at200 series repair manual online for chassis body celica 1993 at200 series automobile pdf manual download also

**free pdf toyota celica 1993 repair manual 1986 1987 1988** - Jan 07 2023

web jan 31 2014 1991 toyota celica repair manual online online 1991 toyota celica repair manual by using our easy to operate internet based car repair manual you are

**chilton s toyota toyota celica 1986 93 repair** - Jun 12 2023

web toyota workshop repair owners manuals 100 free free pdf 1991 toyota celica repair manual pdf 2022 ftp bonide home brand toyota toyota service and

**free pdf toyota celica 1988 repair manual 1986 1987 1988** - Nov 24 2021

[toyota celica service repair manual wiring](#) - May 11 2023

web jan 19 2023 want to find a repair manual search here to find a manual to fix your car

*1994 toyota celica service repair manual free pdf* - Jan 27 2022

**toyota workshop repair owners manuals 100 free free** - Apr 10 2023

web we ll get you the repair information you need every time or we ll refund your purchase in full this manual is specific to a 1991 toyota celica repairsurge is compatible with any

**1991 toyota celica repair manual online by precious pim issuu** - Aug 02 2022

web 1991 toyota celica factory repair manuals covering the following celica st celica gt celica gts celica all trac coupe convertible hatchback 1 6l i4 4a fe 2 2l

**1991 toyota celica repair manuals carid com** - Jul 01 2022

web 1994 toyota celica workshop service manual workshop manual maintenance electrical wiring diagram celica body repair manual celica contents 1 8l four cyl vin a

**toyota service repair manuals free download pdf** - Feb 08 2023

web no need to hunt down a separate toyota repair manual or toyota service manual from warranties on toyota replacement parts to details on features toyota owners

[1991 toyota celica repair manual online repairsurge](#) - Nov 05 2022

web how to find your toyota workshop or owners manual we have 2081 free pdf s spread across 124 toyota vehicles to narrow down your search please use the dropdown box



[toyota workshop repair owners manuals 100 free](#) - May 31 2022

web do it yourself and use this 1991 toyota celica repair manual software to guide the way it gives you the manual for your celica and it s very easy to use it is compatible with any

**la bible de la mecanique moto la ra c paration et download** - Aug 02 2022

web la bible de la mecanique moto la ra c paration et 3 3 the translator s art mason has harnessed the precision and power of the poet s rapidly changing voice from the delicate

*la bible de la mecanique moto la ra c paration et pdf* - Nov 24 2021

web apr 6 2023 sur les traces du mystérieux sabre de vlad l empaleur et de la première bible de gutenber g supposée renfermer un message secret auquel le destin de

**la bible de la mecanique moto la ra c paration et pdf irène** - Jul 01 2022

web we allow la bible de la mecanique moto la ra c paration et pdf and numerous books collections from fictions to scientific research in any way in the middle of them is this la

**la bible de la mecanique moto la ra c paration et pdf** - Apr 29 2022

web feb 20 2023 la bible de la mecanique moto la ra c paration et 1 1 downloaded from uniport edu ng on february 20 2023 by guest la bible de la mecanique moto la ra

*la bible de la mecanique moto la réparation et l* - Dec 06 2022

web découvrez des commentaires utiles de client et des classements de commentaires pour la bible de la mecanique moto la réparation et l entretien du 2 roues enfin

**la bible de la mecanique moto la ra c paration et pdf free** - Mar 29 2022

web la bible de la mecanique moto la ra c paration et pdf introduction la bible de la mecanique moto la ra c paration et pdf free

**la bible de la mecanique moto la ra c paration et** - Jan 27 2022

web jan 17 2023 la bible de la mecanique moto la ra c paration et 1 1 downloaded from kelliemay com on january 17 2023 by guest la bible de la mecanique moto la

[la bible de la mecanique moto la réparation et l](#) - May 11 2023

web l un d eux orient le document intituler la bible de la mecanique moto la réparation et l entretien du 2 roues enfin accessibles aux débutants french edition

**la bible de la mecanique moto la ra c paration et pdf gcc** - Sep 03 2022

web as this la bible de la mecanique moto la ra c paration et pdf it ends taking place swine one of the favored books la bible de la mecanique moto la ra c paration et

*la bible de la mécanique moto la réparation et uniport edu* - Oct 24 2021

web jun 26 2023 la bible de la mécanique moto la réparation et 1 5 downloaded from uniport edu ng on june 26 2023 by guest la bible de la mécanique moto la réparation

la bible de la mécanique moto la réparation et maurice - Jan 07 2023

web recognizing the pretentiousness ways to acquire this ebook la bible de la mécanique moto la réparation et is additionally useful you have remained in right site to begin

**télécharger pdf la bible de la mécanique moto la** - Aug 14 2023

web nov 8 2017 la bible de la mécanique moto la réparation et l entretien du 2 roues enfin accessibles aux débutants de nicolas suhr télécharger aaah le bonheur

*la bible de la mécanique moto la réparation et l* - Jun 12 2023

web la bible de la mécanique moto la réparation et l entretien du 2 roues enfin accessibles aux débutants french edition suhr nicolas amazon com tr kitap kitap

*la bible de la mécanique moto la réparation et l entretien du* - Apr 10 2023

web la bible de la mécanique moto la réparation et l entretien du 2 roues enfin accessibles aux débutants by nicolas suhr april 21st 2020 re la bullet dans la mini

**la bible de la mécanique moto la réparation et copy** - Feb 25 2022

web jan 7 2023 la bible de la mécanique moto la réparation et 2 5 downloaded from kelliemay com on january 7 2023 by guest motologie action auto moto 1995

la bible de la mécanique moto la réparation et uniport edu - Dec 26 2021

web jun 1 2023 la bible de la mécanique moto la réparation et 1 5 downloaded from uniport edu ng on june 1 2023 by guest la bible de la mécanique moto la réparation

la bible de la mécanique moto la réparation et pdf - Mar 09 2023

web people have look numerous times for their chosen novels like this la bible de la mécanique moto la réparation et but end up in harmful downloads rather than

*la bible de la mécanique moto la réparation et 198 58 106* - Sep 22 2021

web dec 26 2022 revelation la bible de la mécanique moto la réparation et can be one of the options to accompany you in the manner of having extra time it will not waste your

**la bible de la mécanique moto la réparation et annie** - Oct 04 2022

web we provide la bible de la mécanique moto la réparation et and numerous ebook collections from fictions to scientific research in any way in the midst of them is this la

*la bible de la mecanique moto la ra c paration et 2023* - Nov 05 2022

web la bible de la mecanique moto la ra c paration et energy research abstracts jun 18 2020 rac e ing to the right aug 13 2022 rac e ing to the right is a great read and

*la bible de la mecanique moto la ra c paration et download* - May 31 2022

web mar 6 2023 funds for la bible de la mecanique moto la ra c paration et and numerous books collections from fictions to scientific research in any way in the course

**amazon fr la bible de la mecanique moto la réparation** - Jul 13 2023

web la bible de la mecanique moto la réparation et l entretien du 2 roues enfin accessibles aux débutants broché 8 novembre 2017 de nicolas suhr auteur 3 6 162

*la bible de la mecanique moto la ra c paration et pdf* - Feb 08 2023

web jun 25 2023 la bible de la mecanique moto la ra c paration et 2 5 downloaded from uniport edu ng on june 25 2023 by guest folie le meurtre et le cannibalisme au même

This is likewise one of the factors by obtaining the soft documents of this **2009 Mazda 3 Parts Manual** by online. You might not require more grow old to spend to go to the books establishment as skillfully as search for them. In some cases, you likewise attain not discover the proclamation 2009 Mazda 3 Parts Manual that you are looking for. It will utterly squander the time.

However below, subsequent to you visit this web page, it will be fittingly totally simple to get as skillfully as download guide 2009 Mazda 3 Parts Manual

It will not give a positive response many mature as we notify before. You can attain it even though appear in something else at home and even in your workplace. consequently easy! So, are you question? Just exercise just what we come up with the money for below as with ease as evaluation **2009 Mazda 3 Parts Manual** what you considering to read!

[https://offsite.creighton.edu/files/virtual-library/Documents/frd\\_vs\\_brd.pdf](https://offsite.creighton.edu/files/virtual-library/Documents/frd_vs_brd.pdf)

[https://offsite.creighton.edu/files/virtual-library/Documents/french\\_trappers\\_in\\_north\\_america.pdf](https://offsite.creighton.edu/files/virtual-library/Documents/french_trappers_in_north_america.pdf)

[https://offsite.creighton.edu/files/virtual-library/Documents/fuel\\_tank\\_stick\\_and\\_puck.pdf](https://offsite.creighton.edu/files/virtual-library/Documents/fuel_tank_stick_and_puck.pdf)

## **Table of Contents 2009 Mazda 3 Parts Manual**

1. Understanding the eBook 2009 Mazda 3 Parts Manual
  - The Rise of Digital Reading 2009 Mazda 3 Parts Manual
  - Advantages of eBooks Over Traditional Books
2. Identifying 2009 Mazda 3 Parts Manual
  - Exploring Different Genres
  - Considering Fiction vs. Non-Fiction

- Determining Your Reading Goals
- 3. Choosing the Right eBook Platform
  - Popular eBook Platforms
  - Features to Look for in an 2009 Mazda 3 Parts Manual
  - User-Friendly Interface
- 4. Exploring eBook Recommendations from 2009 Mazda 3 Parts Manual
  - Personalized Recommendations
  - 2009 Mazda 3 Parts Manual User Reviews and Ratings
  - 2009 Mazda 3 Parts Manual and Bestseller Lists
- 5. Accessing 2009 Mazda 3 Parts Manual Free and Paid eBooks
  - 2009 Mazda 3 Parts Manual Public Domain eBooks
  - 2009 Mazda 3 Parts Manual eBook Subscription Services
  - 2009 Mazda 3 Parts Manual Budget-Friendly Options
- 6. Navigating 2009 Mazda 3 Parts Manual eBook Formats
  - ePub, PDF, MOBI, and More
  - 2009 Mazda 3 Parts Manual Compatibility with Devices
  - 2009 Mazda 3 Parts Manual Enhanced eBook Features
- 7. Enhancing Your Reading Experience
  - Adjustable Fonts and Text Sizes of 2009 Mazda 3 Parts Manual
  - Highlighting and Note-Taking 2009 Mazda 3 Parts Manual
  - Interactive Elements 2009 Mazda 3 Parts Manual
- 8. Staying Engaged with 2009 Mazda 3 Parts Manual
  - Joining Online Reading Communities
  - Participating in Virtual Book Clubs
  - Following Authors and Publishers 2009 Mazda 3 Parts Manual
- 9. Balancing eBooks and Physical Books 2009 Mazda 3 Parts Manual
  - Benefits of a Digital Library
  - Creating a Diverse Reading Collection 2009 Mazda 3 Parts Manual
- 10. Overcoming Reading Challenges
  - Dealing with Digital Eye Strain

- Minimizing Distractions
- Managing Screen Time
- 11. Cultivating a Reading Routine 2009 Mazda 3 Parts Manual
  - Setting Reading Goals 2009 Mazda 3 Parts Manual
  - Carving Out Dedicated Reading Time
- 12. Sourcing Reliable Information of 2009 Mazda 3 Parts Manual
  - Fact-Checking eBook Content of 2009 Mazda 3 Parts Manual
  - Distinguishing Credible Sources
- 13. Promoting Lifelong Learning
  - Utilizing eBooks for Skill Development
  - Exploring Educational eBooks
- 14. Embracing eBook Trends
  - Integration of Multimedia Elements
  - Interactive and Gamified eBooks

## **2009 Mazda 3 Parts Manual Introduction**

Free PDF Books and Manuals for Download: Unlocking Knowledge at Your Fingertips In todays fast-paced digital age, obtaining valuable knowledge has become easier than ever. Thanks to the internet, a vast array of books and manuals are now available for free download in PDF format. Whether you are a student, professional, or simply an avid reader, this treasure trove of downloadable resources offers a wealth of information, conveniently accessible anytime, anywhere. The advent of online libraries and platforms dedicated to sharing knowledge has revolutionized the way we consume information. No longer confined to physical libraries or bookstores, readers can now access an extensive collection of digital books and manuals with just a few clicks. These resources, available in PDF, Microsoft Word, and PowerPoint formats, cater to a wide range of interests, including literature, technology, science, history, and much more. One notable platform where you can explore and download free 2009 Mazda 3 Parts Manual PDF books and manuals is the internet's largest free library. Hosted online, this catalog compiles a vast assortment of documents, making it a veritable goldmine of knowledge. With its easy-to-use website interface and customizable PDF generator, this platform offers a user-friendly experience, allowing individuals to effortlessly navigate and access the information they seek. The availability of free PDF books and manuals on this platform demonstrates its commitment to democratizing education and empowering individuals with the tools needed to succeed in their chosen fields. It allows anyone, regardless of their background or financial limitations, to expand their horizons and

gain insights from experts in various disciplines. One of the most significant advantages of downloading PDF books and manuals lies in their portability. Unlike physical copies, digital books can be stored and carried on a single device, such as a tablet or smartphone, saving valuable space and weight. This convenience makes it possible for readers to have their entire library at their fingertips, whether they are commuting, traveling, or simply enjoying a lazy afternoon at home. Additionally, digital files are easily searchable, enabling readers to locate specific information within seconds. With a few keystrokes, users can search for keywords, topics, or phrases, making research and finding relevant information a breeze. This efficiency saves time and effort, streamlining the learning process and allowing individuals to focus on extracting the information they need. Furthermore, the availability of free PDF books and manuals fosters a culture of continuous learning. By removing financial barriers, more people can access educational resources and pursue lifelong learning, contributing to personal growth and professional development. This democratization of knowledge promotes intellectual curiosity and empowers individuals to become lifelong learners, promoting progress and innovation in various fields. It is worth noting that while accessing free 2009 Mazda 3 Parts Manual PDF books and manuals is convenient and cost-effective, it is vital to respect copyright laws and intellectual property rights. Platforms offering free downloads often operate within legal boundaries, ensuring that the materials they provide are either in the public domain or authorized for distribution. By adhering to copyright laws, users can enjoy the benefits of free access to knowledge while supporting the authors and publishers who make these resources available. In conclusion, the availability of 2009 Mazda 3 Parts Manual free PDF books and manuals for download has revolutionized the way we access and consume knowledge. With just a few clicks, individuals can explore a vast collection of resources across different disciplines, all free of charge. This accessibility empowers individuals to become lifelong learners, contributing to personal growth, professional development, and the advancement of society as a whole. So why not unlock a world of knowledge today? Start exploring the vast sea of free PDF books and manuals waiting to be discovered right at your fingertips.

### **FAQs About 2009 Mazda 3 Parts Manual Books**

How do I know which eBook platform is the best for me? Finding the best eBook platform depends on your reading preferences and device compatibility. Research different platforms, read user reviews, and explore their features before making a choice. Are free eBooks of good quality? Yes, many reputable platforms offer high-quality free eBooks, including classics and public domain works. However, make sure to verify the source to ensure the eBook credibility. Can I read eBooks without an eReader? Absolutely! Most eBook platforms offer web-based readers or mobile apps that allow you to read eBooks on your computer, tablet, or smartphone. How do I avoid digital eye strain while reading eBooks? To prevent digital

eye strain, take regular breaks, adjust the font size and background color, and ensure proper lighting while reading eBooks. What the advantage of interactive eBooks? Interactive eBooks incorporate multimedia elements, quizzes, and activities, enhancing the reader engagement and providing a more immersive learning experience. 2009 Mazda 3 Parts Manual is one of the best book in our library for free trial. We provide copy of 2009 Mazda 3 Parts Manual in digital format, so the resources that you find are reliable. There are also many Ebooks of related with 2009 Mazda 3 Parts Manual. Where to download 2009 Mazda 3 Parts Manual online for free? Are you looking for 2009 Mazda 3 Parts Manual PDF? This is definitely going to save you time and cash in something you should think about.

### **Find 2009 Mazda 3 Parts Manual :**

#### **frd vs brd**

*french trappers in north america*

*fuel tank stick and puck*

*frozen food processing*

*free comptia network+ practice test*

*fun hitting drills for youth baseball*

**fourth wing list of characters**

freight broker sales training

**free quilting pantographs for beginners**

free phone call log template

**friendship bracelets for beginners**

frat initiation rituals

*free handyman contract template*

*free alto sax lessons*

**free fall concept builder answer key**

### **2009 Mazda 3 Parts Manual :**