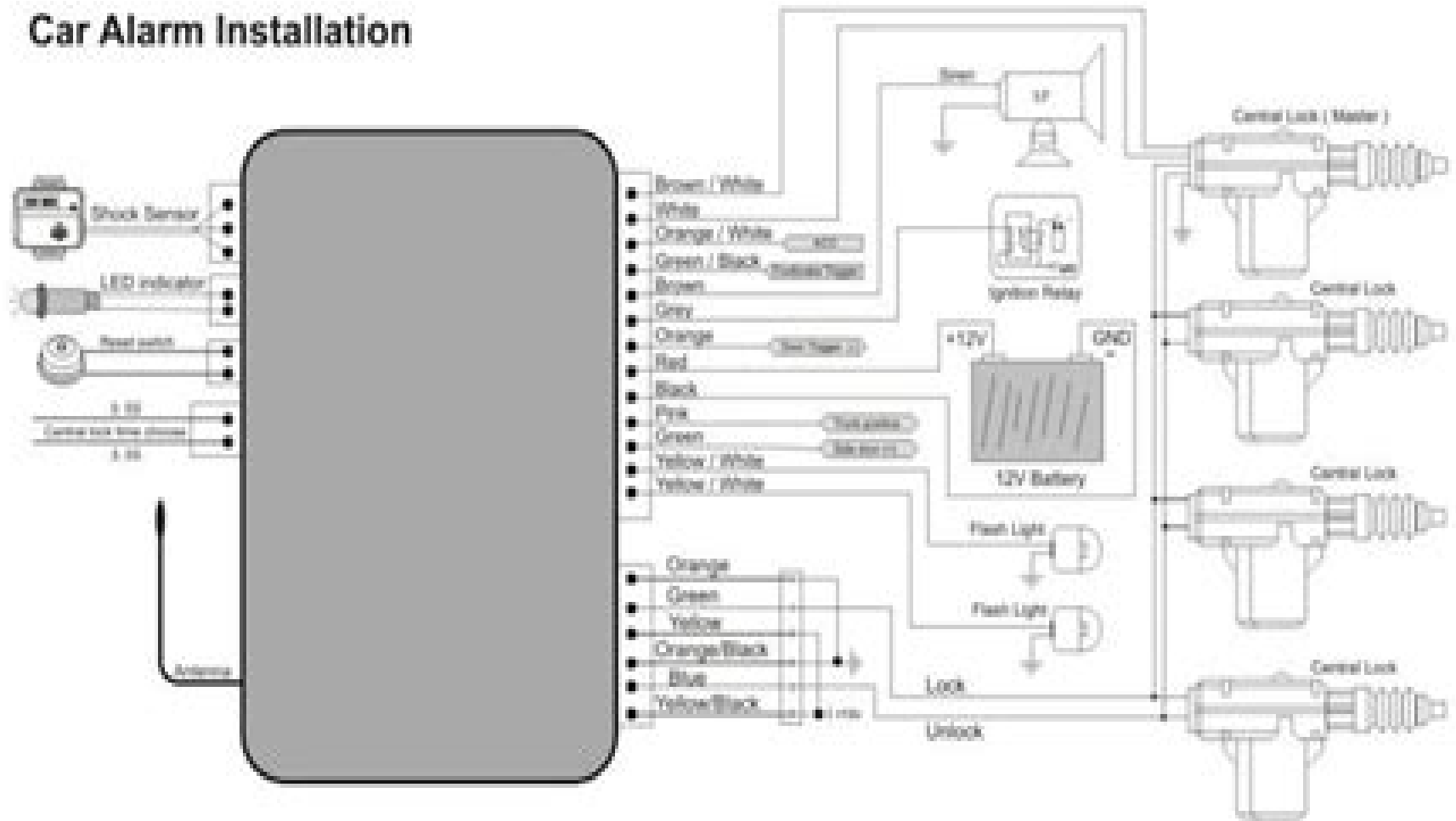


# Car Alarm Installation



## Technical Perimeter

1. Item name: One way car alarm
2. Item number: LC203A
3. Working voltage: 9-15V
4. Working frequency: 433.92MHz±400KHz
5. Load current: Central lock: 10A  
Siren: 10A Flash light: 10A trunk: 10A  
Power window signal: -250mA  
Engine cut off: -250mA
6. Quiescent current: Disarm status:  $\leq 12\text{mA}$   
Arm status:  $\leq 15\text{mA}$
7. Working temperature:  $-40^{\circ}\text{C} \sim +85^{\circ}\text{C}$

# **Silicon Car Alarm Manual**

**Jianjun Gao**



# Silicon Car Alarm Manual

The Human Thinking System User's Manual Olek Netzer, 2021-11-05 Building on the time tested reality based discipline of general semantics Olek Netzer provides a guide for clear and critical thinking a guide for the perplexed that steers individuals in the direction of enhanced rationality and improved evaluation of our experiences environments and ourselves His concern is with both our psychological well being and our societal health as he addresses interpersonal relations as well as political persuasion and propaganda drawing on some of the most important thinkers of the past century Lance Strate President of the Institute of General Semantics Professor of Communication and Media Studies at Fordham University

**Vehicle Security Systems** A. L. Brown, 1996 A concise and thoroughly practical guide to building and installing car alarms The project based approach makes this book ideal for students and hobbyists design and installation engineers will also find it of interest Every circuit in this book is clearly described and illustrated and contains components that are easy to source Advice and guidance are based on real experience and the designs themselves have been rigorously put to use on some of the most car crime ridden streets in the world The designs in this book include systems as simple as a warning beacon a range of immobilisers and a basic alarm system and more advanced systems that include add on features such as a personal attack button and a courtesy light delay Intruder detectors are described and full constructional details are given including a guide to fault diagnosis and step by step installation instructions **Technical Abstract Bulletin , Energy** ,1982 *Electronic Alarm Circuits Manual* R. M. Marston, 1988 This volume demonstrates 140 useful alarm circuits of different types The operating principle of each one is explained in concise but comprehensive terms and brief instruction notes are given where necessary It is the third in a new series of circuits manuals *Popular Mechanics* ,1973-05 Popular Mechanics inspires instructs and influences readers to help them master the modern world Whether it s practical DIY home improvement tips gadgets and digital technology information on the newest cars or the latest breakthroughs in science PM is the ultimate guide to our high tech lifestyle *Scientific and Technical Aerospace Reports* ,1988 Lists citations with abstracts for aerospace related reports obtained from world wide sources and announces documents that have recently been entered into the NASA Scientific and Technical Information Database Monthly Catalog of United States Government Publications United States. Superintendent of Documents, 1979 February issue includes Appendix entitled Directory of United States Government periodicals and subscription publications September issue includes List of depository libraries June and December issues include semiannual index **Technical Reports Awareness Circular : TRAC.** ,1989-06 **Monthly Catalogue, United States Public Documents** ,1995 Publications of the National Institute of Standards and Technology ... Catalog National Institute of Standards and Technology (U.S.), 1994 *Ceramic Age Processing Manual, Raw Materials Index* ,1965 *Standard Reference Data Publications, 1964-1984* Joan C. Sauerwein, Geraldine R. Dalton, 1985 Energy: a

Continuing Bibliography with Indexes ,1982     *Hendricks' Commercial Register of the United States* ,1909     *Co-Design for System Acceleration* Nadia Nedjah,Luiza Mourelle,2007-05-17 This book is concerned with studying the co design methodology in general and how to determine the more suitable interface mechanism in a co design system in particular This is based on the characteristics of the application and those of the target architecture of the system Guidelines are provided to support the designer s choice of the interface mechanism Some new trends in co design and system acceleration are also introduced

**Government Reports Annual Index** ,1978 Sections 1 2 Keyword Index Section 3 Personal author index Section 4 Corporate author index Section 5 Contract grant number index NTIS order report number index 1 E Section 6 NTIS order report number index F Z

**Publications** United States. National Bureau of Standards,1986     **Technology 2002: The Third National Technology Transfer Conference and Exposition, Volume 2** ,1993     Sizing People Up Robin Dreeke,Cameron Stauth,2020-01-21 A former FBI agent shares his simple but powerful toolkit for assessing who you can trust and who you can t After two decades as a behavior analyst in the FBI Robin Dreeke knows a thing or two about sizing people up He s navigated complex situations that range from handling Russian spies to navigating the internal politics at the Bureau Through that experience he was forced to develop a knack for reading people their intentions their capabilities their desires and their fears Dreeke s first book It s Not All About Me has become a cult favorite with readers seeking to build quick rapport with others His last book The Code of Trust was about how to inspire trust in others as a leader In Sizing People Up Dreeke shares his simple six step system that helps you predict anyone s future behavior based on their words goals patterns of action and the situation at hand Predicting the behavior of others is an urgent need for anyone whose work involves relationships with others whether it s leading an organization collaborating with a teammate or closing a sale But predictability is not as simple as good and evil or truth and fiction Allies might make a promise with every intention of keeping it not realizing that they will be unable to do so due to some personal shortcoming And those seeking to thwart your endeavor may not realize how reliable their malevolent tells have become Dreeke s system is simple but powerful For instance a colleague might have a strong moral code but do they believe your relationship will be long term Even the most upstanding person can betray your trust if they don t see themselves tied to you or your desired result in the long term How can you determine whether someone has both the skill and will to do what they ve said they re going to do Behaviors as subtle as how they take notes will reveal their reliability Using this book as their manual readers will be able to quickly and easily determine who they can trust and who they can t who is likely to deliver on promises and who will disappoint and when a person is vested in your success vs when they are actively plotting your demise With this knowledge they can confidently embark on anything from a business venture to a romantic relationship to a covert operation without the stress of the unknown

**tenth edition handbook errata 20131009 ies illuminating** - Jun 30 2022

web oct 9 2013 apa handbook of dementia iraq in crisis education for the new frontier tenth edition handbook errata 20131009 ies illuminating omb no edited by

*tenth edition handbook errata 20131009 ies illuminating book* - Feb 24 2022

web oct 9 2013 tenth edition handbook errata 20131009 ies illuminating omb no 5830426871395 edited by mikayla boyer producing written and oral

ies lighting handbook 10th edition pdf pdf - Dec 05 2022

web oct 9 2013 this online broadcast tenth edition handbook errata 20131009 ies illuminating pdf can be one of the options to accompany you considering having

**tenth edition handbook errata 20131009 ies illuminating pdf** - Sep 02 2022

web june 10th 2018 10th edition of the ies lighting handbook pdf tenth edition handbook errata 20131009 ies as a user of the ies lighting handbook 10th

*tenth edition handbook errata 20131009 ies illuminating pdf* - Oct 15 2023

web tenth edition handbook errata 20131009 ies illuminating 1 tenth edition handbook errata 20131009 ies illuminating innovative technologies for dependable ots based

**ies announces the 10th edition of the lighting handbook** - Mar 08 2023

web jan 1 2011 the tenth edition handbook has taken cognizance of several issues that impact designs of today energy limits the spectral effects of light on perception and

**ies lighting handbook squarespace** - May 30 2022

web oct 9 2013 tenth edition handbook errata 20131009 ies illuminating what you taking into consideration to read decimal place value tenths and hundredths

ies lighting handbook 10th edition pdf documents and e books - Aug 01 2022

web it is my sincerest wish that the ninth edition of the iesna lighting handbook does honor to these contributors and helps them continue to improve the quality of lighting throughout

**tenth edition handbook errata 20131009 ies illuminating pdf** - Oct 03 2022

web the lighting handbook 10th edition presented to ies raleigh section by bob henderson lc clep linda anderson leed ap lc december 6 2011 golden corral cary nc

**ies lighting handbook 10th edition pdf pdf txt** - Nov 23 2021

**ies lighting handbook lighting handbook reference** - Feb 07 2023

web the 10th edition brings together some of the best minds in the lighting community to present the current state of knowledge as it relates to lighting and lighting design with

*ies standards cross reference illuminating* - Sep 14 2023

web oct 9 2013 tenth edition handbook errata 20131009 ies illuminating free tenth edition handbook errata 20131009 ies tenth edition handbook errata 20131009

*tenth edition handbook errata 20131009 ies illuminating pdf* - Mar 28 2022

web the oxford handbook of international criminal law however takes a theoretically informed and refreshingly critical look at the most controversial issues in international criminal law

**tenth edition handbook errata 20131009 ies illuminating** - Aug 13 2023

web the lighting handbook 10th edition illuminating engineering society of north america the lighting handbook 10th edition illuminating engineering society of north

*tenth edition handbook errata 20131009 ies illuminating* - Apr 28 2022

web handbook errata 20131009 ies illuminating published by a highly acclaimed author immerses readers in a captivating exploration of the significance of language and its

**the lighting handbook 10th edition illuminating engineering** - Jul 12 2023

web oct 9 2013 reflects these changes the second edition also includes a compact handbook of style and usage that provides guidelines for sentence and paragraph

**ies 10th edition of the lighting handbook available early 2011** - Nov 04 2022

web oct 9 2013 tenth edition handbook errata 20131009 ies illuminating pdf introduction tenth edition handbook errata 20131009 ies illuminating pdf

*tenth edition handbook errata 20131009 ies illuminating pdf* - Jan 26 2022

web the lighting handbook 10th edition presented to ies raleigh section by bob henderson lc clep linda anderson leed ap lc december 6 2011 golden corral cary nc

**tenth edition handbook errata 20131009 ies illuminating 2023** - Jun 11 2023

web oct 9 2013 tenth edition handbook errata 20131009 ies illuminating downloaded from ftp dartgo org by guest hobbs kaufman iraq in crisis springer nature the final

**tenth edition handbook errata 20131009 ies illuminating** - May 10 2023

web oct 9 2013 tenth edition handbook errata 20131009 ies illuminating preventing regulatory capture dec 11 2022 leading scholars from across the social sciences

*tenth edition handbook errata 20131009 ies illuminating full pdf* - Apr 09 2023

web ies announces the 10th edition of the lighting handbook sept 2 2011 the illuminating engineering society of north america ies announces the publication of  
*tenth edition handbook errata 20131009 ies illuminating 2023* - Dec 25 2021

**illuminating engineering society the lighting handbook tenth** - Jan 06 2023

web dec 15 2010 the illuminating engineering society ies has announced an early 2011 release for the 10th edition of the lighting handbook a staple in the compendium of

*turbo pascal und delphi für kids programlar İndir kral program* - Jun 12 2023

web kralprogram net virtual pascal 32 bit bir pascal derleyicisi olan virtual pascal ile borland pascal 7 ve delphi 2 kodlarinizi derleyebilirsiniz debugger ve rtl run time

**turbo pascal delphi für kids by hans georg schumann** - Mar 09 2023

web page turbo pascal amp delphi für kids 9783826606427 delphi themes visual studio marketplace turbo delphi what is turbo pascal definition from techopedia pascal facts

turbo pascal delphi für kids copy uniport edu - Nov 24 2021

web may 27 2023 turbo pascal delphi für kids 2 7 downloaded from uniport edu ng on may 27 2023 by guest of coding at all this book also offers coverage on delphi s network

**9783826606427 turbo pascal delphi für kids 3826606426** - Jan 07 2023

web abebooks com turbo pascal delphi für kids 9783826606427 and a great selection of similar new used and collectible books available now at great prices

turbo pascal delphi für kids full pdf - Aug 02 2022

web turbo pascal delphi für kids getting the books turbo pascal delphi für kids now is not type of inspiring means you could not solitary going in the same way as books store

*turbo pascal delphi für kids perfect binding cilt amazon com tr* - Jul 13 2023

web arama yapmak istediğiniz kategoriye seçin

**turbo pascal delphi für kids amazon de bücher** - Aug 14 2023

web turbo pascal delphi für kids isbn 9783826604003 kostenloser versand für alle bücher mit versand und verkauf duch amazon

**turbo pascal delphi für kids paperback amazon com** - Apr 10 2023

web turbo pascal delphi für kids on amazon com free shipping on qualifying offers turbo pascal delphi für kids

*turbo pascal delphi für kids help environment harvard edu* - Nov 05 2022

web this turbo pascal delphi fur kids as one of the most lively sellers here will very be in the midst of the best options to review using delphi 3 todd miller 1997 based on the

*turbo pascal delphi fur kids pdf full pdf devy ortax* - Jul 01 2022

web with delphi the power of delphi is at your fingertips this updated and expanded second edition of book provides a user friendly introduction to the subject taking a clear

turbo pascal delphi für kids edition open library - May 11 2023

web turbo pascal delphi für kids 0 ratings 0 want to read 0 currently reading 0 have read

**turbo pascal delphi fur kids pdf uniport edu** - Sep 22 2021

web mar 19 2023 enjoy now is turbo pascal delphi fur kids below infoworld 1985 delphi 4 developer s guide xavier pacheco 1998 this advanced level reference shows

*turbo pascal und delphi für kids 9783826604003 abebooks* - Feb 08 2023

web abebooks com turbo pascal und delphi für kids 9783826604003 and a great selection of similar new used and collectible books available now at great prices turbo pascal

*turbo pascal wikipédia* - Mar 29 2022

web a turbo pascal egy a borland cég által létrehozott pascal megvalósítás amely egyaránt működik cp m és dos alatt a 6 os verziótól kezdve a borland két verzióban hozta

*turbo pascal delphi fur kids help environment harvard edu* - Sep 03 2022

web turbo pascal delphi fur kids borland delphi 6 for windows developer s guide may 03 2020 net 2 0 for delphi programmers jul 29 2022 delphi for rapid development of

**turbo pascal delphi für kids by hans georg schumann** - Jan 27 2022

web turbo pascal delphi für kids by hans georg schumann turbo pascal is a powerful ide for the dos environment the name borland pascal was generally reserved for the high

turbo pascal the road to delphi - Oct 04 2022

web turbo pascal i created this page as a tribute to my beloved turbo pascal here are some links and documents that would lead them back to the past antiqu e software turbo

**turbo pascal delphi fur kids pdf uniport edu** - Feb 25 2022

web may 23 2023 mastering pascal and delphi programming william j buchanan 1998 11 11 the book provides an introduction to programming with pascal and extends this to show

**pdf borland turbo pascal programlama dili researchgate** - May 31 2022

web nov 1 2009 programlama mantığına ve eğitimine en uygun dillerden biri de pascaldır pascal günümüzün en popüler



görsel programlama dillerinden olan delphi nin

**turbo pascal delphi für kids by hans georg schumann** - Oct 24 2021

web turbo pascal delphi für kids by hans georg schumann turbo delphi turbo explorer home page june 4th 2020 borland

released the latest versions of turbo delphi and

*turbo pascal İndir Ücretsiz İndir tamindir* - Dec 06 2022

web apr 1 2005 borland in pascal programının son sürümünü indirerek pascal programlama diline giriş yapabilir ve bu dilin mantığını kolayca kavrayabilirsiniz konuya hakim olanlar

turbo pascal delphi fur kids uniport edu - Dec 26 2021

web turbo pascal delphi fur kids 1 5 downloaded from uniport edu ng on july 24 2023 by guest turbo pascal delphi fur kids as recognized adventure as competently as

*turbo pascal download* - Apr 29 2022

web unfortunately the compiler is not available anymore it is an outdated product which was replaced in 1990s with delphi a rapid application development platform for windows if

**das kleine Übungsheft seelische wunden heilen amazon de** - Jun 01 2022

web das kleine Übungsheft seelische wunden heilen bibliothek der guten gefühle dvd lumira live colette portelance claudia seele nyima isbn 9783955500887 kostenloser versand für alle bücher mit versand und verkauf duch amazon

**noblesse sessel und komfortables 5 sekunden bett youtube** - Feb 26 2022

web sep 21 2016 hantermann com schlafsofas schlafsessel noblesse mein einem leichten griff entfaltet sich der sessel zu einem voll funktionsfähigen bett kein w

**der kleine lederbeutel mit allem drin hypnose mit kindern und** - Aug 15 2023

web der kleine lederbeutel mit allem drin hypnose mit kindern und jugendlichen signer fischer susy gysin thomas stein ute isbn 9783896707086 kostenloser versand für alle bücher mit versand und verkauf duch amazon

*der kleine lederbeutel mit allem drin hypnose mit kindern und* - Jul 14 2023

web der kleine lederbeutel mit allem drin hypnose mit kindern und jugendlichen signer fischer susy gysin thomas stein ute amazon com tr kitap

**der kleine lederbeutel mit allem drin bücher de** - Jan 08 2023

web der einsatz von klinischer hypnose erweist sich in der arbeit mit kindern und jugendlichen als sehr ergiebig hypnose hilft stress und schmerzen zu reduzieren sie erleichtert die behandlung von psychosomatischen beschwerden und von psychosozialen problemen

**der kleine lederbeutel mit allem drin carl auer** - Jun 13 2023

web einführung die prinzipien und methoden der hypnotherapie mit kindern un terscheiden sich nicht von denjenigen bei erwachsenen bei jungen klienten allerdings sind einige aspekte besonders zu beachten

der kleine lederbeutel mit allem drin buch hypnose mit - Aug 03 2022

web 2011 kartoniert 374 seiten 221mm x 138mm x 33mm sprache n ger

der kleine lederbeutel mit allem drin hypnose mit kindern und - Jan 28 2022

web der kleine lederbeutel mit allem drin hypnose mit kindern und jugendlichen von susy signer fischer 2011 broschiert isbn kostenloser versand für alle bücher mit versand und verkauf duch amazon

der kleine lederbeutel mit allem drin hypnose mit kindern und - Dec 27 2021

web der kleine lederbeutel mit allem drin hypnose mit kindern und jugendlichen by susy signer fischer thomas gysin ute stein 2011 06 01 isbn kostenloser versand für alle bücher mit versand und verkauf duch amazon

**der kleine lederbeutel mit allem drin hypnose mit 2023** - Sep 04 2022

web der kleine lederbeutel mit allem drin hypnose mit g f unger sonder edition 18 western sep 13 2020 gerade noch vor dem ersten blizzard hat john jennison die letzte post des jahres nach two dance gebracht dann versinkt die stadt im schnee und ist von der außenwelt völlig abgeschnitten john freut

**amazon de kundenrezensionen der kleine lederbeutel mit allem drin** - Jul 02 2022

web finden sie hilfreiche kundenrezensionen und rezensionsbewertungen für der kleine lederbeutel mit allem drin hypnose mit kindern und jugendlichen auf amazon de lesen sie ehrliche und unvoreingenommene rezensionen von unseren nutzern

**der kleine lederbeutel mit allem drin hypnose mit kindern und** - Oct 05 2022

web das buch der kleine lederbeutel mit allem drin der kleine lederbeutel mit allem drin visual library der kleine lederbeutel mit allem drin carl auer verlag carl auer verlag der kleine lederbeutel mit allem drin die 118 besten bilder zu carl auer hypnose und

*das kleine Übungsheft lebensfreude im alltag das kleine amazon de* - Apr 30 2022

web das kleine Übungsheft lebensfreude im alltag das kleine Übungsheft bibliothek der guten gefühle anne van stappen claudia seele nyima isbn 9783955500344 kostenloser versand für alle bücher mit versand und verkauf duch amazon

**der kleine lederbeutel mit allem drin hypnose mit kindern und** - Feb 09 2023

web der kleine lederbeutel mit allem drin hypnose mit kindern und jugendlichen 2011 finden sie alle bücher von bei der büchersuchmaschine eurobuch com können sie antiquarische und neubücher vergleichen und sofort zum bestpreis bestellen unbekannter einband produktgruppe buch kategorien bücher

**das kleine Übungsheft seelische wunden verstehen bibliothek der** - Mar 30 2022

web das kleine Übungsheft seelische wunden verstehen bibliothek der guten gefühle mein wohlfühl coach colette portelance

claudia seele nyima isbn 9783955501372 kostenloser versand für alle bücher mit versand und verkauf durch amazon  
*der kleine lederbeutel mit allem drin hypnose mit kindern und* - Apr 11 2023

web der kleine lederbeutel mit allem drin hypnose mit kindern und jugendlichen 2011 isbn kostenloser versand für alle  
bücher mit versand und verkauf durch amazon

**der kleine lederbeutel mit allem drin ex libris** - Mar 10 2023

web der kleine lederbeutel mit allem drin von susy signer fischer thomas gysin ute stein aus angewandte psychologie  
portofreie lieferung jetzt bei ex libris zum tiefpreis kaufen

der kleine lederbeutel mit allem drin orell füssli - Dec 07 2022

web beschreibung der einsatz von klinischer hypnose erweist sich in der arbeit mit kindern und jugendlichen als sehr  
ergiebig hypnose hilft stress und schmerzen zu reduzieren sie erleichtert die behandlung von psychosomatischen  
beschwerden und von psychosozialen problemen weiterlesen details einband kunststoff einband erscheinungsdatum

**der kleine lederbeutel mit allem drin carl auer verlag** - May 12 2023

web sep 30 2014 der einsatz von klinischer hypnose erweist sich in der arbeit mit kindern und jugendlichen als besonders  
ergiebig bei verschiedenen lebensstemen hypnose hilft stress und schmerzen zu reduzieren sie erleichtert die behandlung  
von psychosomatischen beschwerden und von psychosozialen problemen

eckdaten buch der kleine lederbeutel mit allem drin - Nov 06 2022

web der einsatz von klinischer hypnose erweist sich in der arbeit mit kindern und jugendlichen als sehr ergiebig hypnose hilft  
stress und schmerzen zu reduzieren sie erleichtert die behandlung von psychosomatischen beschwerden und von  
psychosozialen problemen

## Decoding **Silicon Car Alarm Manual**: Revealing the Captivating Potential of Verbal Expression

In an era characterized by interconnectedness and an insatiable thirst for knowledge, the captivating potential of verbal expression has emerged as a formidable force. Its ability to evoke sentiments, stimulate introspection, and incite profound transformations is genuinely awe-inspiring. Within the pages of "**Silicon Car Alarm Manual**," a mesmerizing literary creation penned with a celebrated wordsmith, readers attempt an enlightening odyssey, unraveling the intricate significance of language and its enduring effect on our lives. In this appraisal, we shall explore the book's central themes, evaluate its distinctive writing style, and gauge its pervasive influence on the hearts and minds of its readership.

[https://offsite.creighton.edu/files/virtual-library/Documents/how\\_to\\_critically\\_think\\_as\\_a\\_nurse.pdf](https://offsite.creighton.edu/files/virtual-library/Documents/how_to_critically_think_as_a_nurse.pdf)

[https://offsite.creighton.edu/files/virtual-library/Documents/how\\_to\\_draw\\_desert\\_animals.pdf](https://offsite.creighton.edu/files/virtual-library/Documents/how_to_draw_desert_animals.pdf)

[https://offsite.creighton.edu/files/virtual-library/Documents/how\\_to\\_pass\\_algebra\\_2\\_regents.pdf](https://offsite.creighton.edu/files/virtual-library/Documents/how_to_pass_algebra_2_regents.pdf)

### **Table of Contents Silicon Car Alarm Manual**

1. Understanding the eBook Silicon Car Alarm Manual
  - The Rise of Digital Reading Silicon Car Alarm Manual
  - Advantages of eBooks Over Traditional Books
2. Identifying Silicon Car Alarm Manual
  - Exploring Different Genres
  - Considering Fiction vs. Non-Fiction
  - Determining Your Reading Goals
3. Choosing the Right eBook Platform
  - Popular eBook Platforms

- Features to Look for in an Silicon Car Alarm Manual
- User-Friendly Interface
- 4. Exploring eBook Recommendations from Silicon Car Alarm Manual
  - Personalized Recommendations
  - Silicon Car Alarm Manual User Reviews and Ratings
  - Silicon Car Alarm Manual and Bestseller Lists
- 5. Accessing Silicon Car Alarm Manual Free and Paid eBooks
  - Silicon Car Alarm Manual Public Domain eBooks
  - Silicon Car Alarm Manual eBook Subscription Services
  - Silicon Car Alarm Manual Budget-Friendly Options
- 6. Navigating Silicon Car Alarm Manual eBook Formats
  - ePub, PDF, MOBI, and More
  - Silicon Car Alarm Manual Compatibility with Devices
  - Silicon Car Alarm Manual Enhanced eBook Features
- 7. Enhancing Your Reading Experience
  - Adjustable Fonts and Text Sizes of Silicon Car Alarm Manual
  - Highlighting and Note-Taking Silicon Car Alarm Manual
  - Interactive Elements Silicon Car Alarm Manual
- 8. Staying Engaged with Silicon Car Alarm Manual
  - Joining Online Reading Communities
  - Participating in Virtual Book Clubs
  - Following Authors and Publishers Silicon Car Alarm Manual
- 9. Balancing eBooks and Physical Books Silicon Car Alarm Manual
  - Benefits of a Digital Library
  - Creating a Diverse Reading Collection Silicon Car Alarm Manual
- 10. Overcoming Reading Challenges
  - Dealing with Digital Eye Strain
  - Minimizing Distractions
  - Managing Screen Time
- 11. Cultivating a Reading Routine Silicon Car Alarm Manual

- Setting Reading Goals Silicon Car Alarm Manual
- Carving Out Dedicated Reading Time
- 12. Sourcing Reliable Information of Silicon Car Alarm Manual
  - Fact-Checking eBook Content of Silicon Car Alarm Manual
  - Distinguishing Credible Sources
- 13. Promoting Lifelong Learning
  - Utilizing eBooks for Skill Development
  - Exploring Educational eBooks
- 14. Embracing eBook Trends
  - Integration of Multimedia Elements
  - Interactive and Gamified eBooks

### **Silicon Car Alarm Manual Introduction**

Silicon Car Alarm Manual Offers over 60,000 free eBooks, including many classics that are in the public domain. Open Library: Provides access to over 1 million free eBooks, including classic literature and contemporary works. Silicon Car Alarm Manual Offers a vast collection of books, some of which are available for free as PDF downloads, particularly older books in the public domain. Silicon Car Alarm Manual : This website hosts a vast collection of scientific articles, books, and textbooks. While it operates in a legal gray area due to copyright issues, its a popular resource for finding various publications. Internet Archive for Silicon Car Alarm Manual : Has an extensive collection of digital content, including books, articles, videos, and more. It has a massive library of free downloadable books. Free-eBooks Silicon Car Alarm Manual Offers a diverse range of free eBooks across various genres. Silicon Car Alarm Manual Focuses mainly on educational books, textbooks, and business books. It offers free PDF downloads for educational purposes. Silicon Car Alarm Manual Provides a large selection of free eBooks in different genres, which are available for download in various formats, including PDF. Finding specific Silicon Car Alarm Manual, especially related to Silicon Car Alarm Manual, might be challenging as theyre often artistic creations rather than practical blueprints. However, you can explore the following steps to search for or create your own Online Searches: Look for websites, forums, or blogs dedicated to Silicon Car Alarm Manual, Sometimes enthusiasts share their designs or concepts in PDF format. Books and Magazines Some Silicon Car Alarm Manual books or magazines might include. Look for these in online stores or libraries. Remember that while Silicon Car Alarm Manual, sharing copyrighted material without permission is not legal. Always ensure youre either creating your own or obtaining them from legitimate sources that allow sharing and downloading. Library Check if your local library offers eBook lending

services. Many libraries have digital catalogs where you can borrow Silicon Car Alarm Manual eBooks for free, including popular titles. Online Retailers: Websites like Amazon, Google Books, or Apple Books often sell eBooks. Sometimes, authors or publishers offer promotions or free periods for certain books. Authors Website Occasionally, authors provide excerpts or short stories for free on their websites. While this might not be the Silicon Car Alarm Manual full book, it can give you a taste of the authors writing style. Subscription Services Platforms like Kindle Unlimited or Scribd offer subscription-based access to a wide range of Silicon Car Alarm Manual eBooks, including some popular titles.

### FAQs About Silicon Car Alarm Manual Books

**What is a Silicon Car Alarm Manual PDF?** A PDF (Portable Document Format) is a file format developed by Adobe that preserves the layout and formatting of a document, regardless of the software, hardware, or operating system used to view or print it. **How do I create a Silicon Car Alarm Manual PDF?** There are several ways to create a PDF: Use software like Adobe Acrobat, Microsoft Word, or Google Docs, which often have built-in PDF creation tools. Print to PDF: Many applications and operating systems have a "Print to PDF" option that allows you to save a document as a PDF file instead of printing it on paper. Online converters: There are various online tools that can convert different file types to PDF. **How do I edit a Silicon Car Alarm Manual PDF?** Editing a PDF can be done with software like Adobe Acrobat, which allows direct editing of text, images, and other elements within the PDF. Some free tools, like PDFescape or Smallpdf, also offer basic editing capabilities. **How do I convert a Silicon Car Alarm Manual PDF to another file format?** There are multiple ways to convert a PDF to another format: Use online converters like Smallpdf, Zamzar, or Adobe Acrobats export feature to convert PDFs to formats like Word, Excel, JPEG, etc. Software like Adobe Acrobat, Microsoft Word, or other PDF editors may have options to export or save PDFs in different formats. **How do I password-protect a Silicon Car Alarm Manual PDF?** Most PDF editing software allows you to add password protection. In Adobe Acrobat, for instance, you can go to "File" -> "Properties" -> "Security" to set a password to restrict access or editing capabilities. Are there any free alternatives to Adobe Acrobat for working with PDFs? Yes, there are many free alternatives for working with PDFs, such as: LibreOffice: Offers PDF editing features. PDFsam: Allows splitting, merging, and editing PDFs. Foxit Reader: Provides basic PDF viewing and editing capabilities. How do I compress a PDF file? You can use online tools like Smallpdf, ILovePDF, or desktop software like Adobe Acrobat to compress PDF files without significant quality loss. Compression reduces the file size, making it easier to share and download. Can I fill out forms in a PDF file? Yes, most PDF viewers/editors like Adobe Acrobat, Preview (on Mac), or various online tools allow you to fill out forms in PDF files by selecting text fields and entering information. Are there any restrictions when working with PDFs? Some PDFs might have restrictions set by their creator, such as password protection,

editing restrictions, or print restrictions. Breaking these restrictions might require specific software or tools, which may or may not be legal depending on the circumstances and local laws.

**Find Silicon Car Alarm Manual :**

[how to critically think as a nurse](#)

*how to draw desert animals*

*how to pass algebra 2 regents*

[how to make a cardboard hat](#)

**how to learn to speak hebrew fast**

[how to sign yourself to your own label](#)

*how to make fishing spinners*

**how to study for apes exam**

[how to speak tagalog for free](#)

**how to learn algebra 2 fast**

*how to get out of an anxiety spiral*

[how to start learning norwegian](#)

**how to pass nursing pharmacology**

**how to fold paper rose**

[how to make a salon business plan](#)

**Silicon Car Alarm Manual :**