

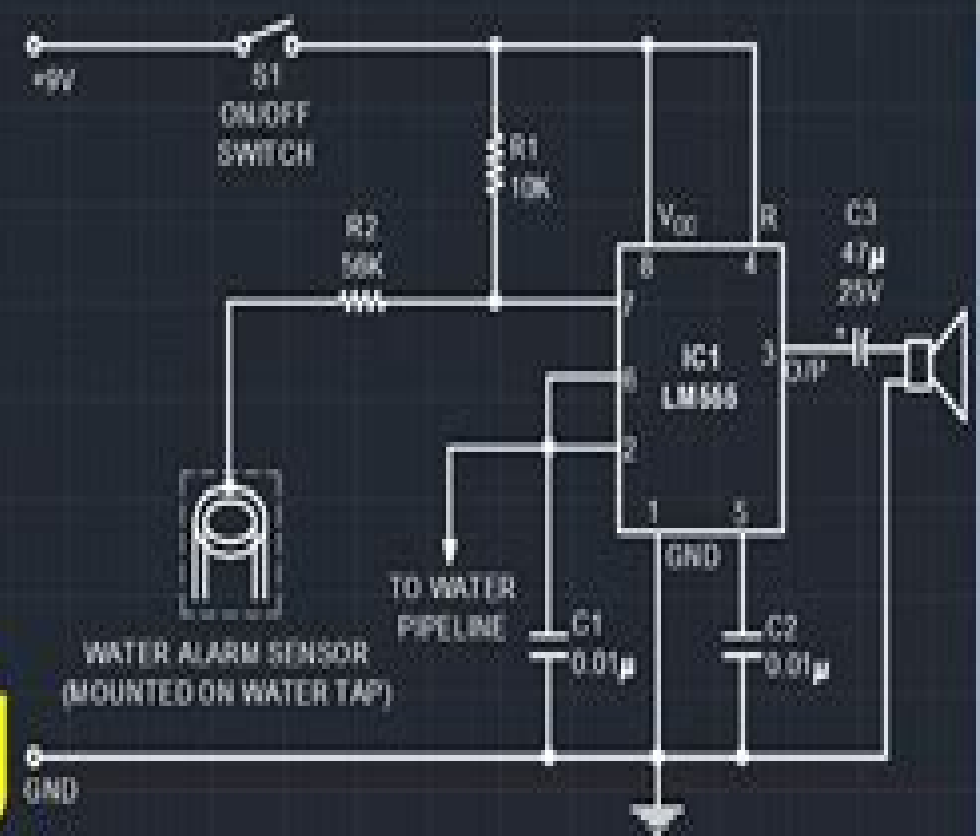


AutoCAD

Tutorial for

Electronics

Engineering



Manual Electronic Autocad

Prof. Sham Tickoo



Manual Electronic Autocad

AutoCad for Electronics Thomas Tumilty, 1995-12 Using AutoCAD at an introductory level this tutorial demonstrates the basic building blocks of mechanical and electrical drafting for electronics applications Throughout the text students develop the manufacturing drawings for a single project using AutoCAD to design the printed circuit boards layout schematic diagrams and produce assembly drawings [AutoCAD Electrical 2021: A Tutorial Approach, 2nd Edition](#) Prof. Sham Tickoo, 2020-10-20 The AutoCAD Electrical 2021 A Tutorial Approach is a tutorial based book that introduces the readers to AutoCAD Electrical 2021 software designed specifically for creating professional electrical control drawings The book has a wide range of tutorials covering the tools and features of AutoCAD Electrical such as schematic drawings panel drawings parametric and nonparametric PLC modules ladder diagrams Circuit Builder point to point wiring diagrams report generation creation of symbols and so on These tutorials will enable the users to create innovative electrical control drawings with ease Moreover the tutorials used ensure that the users can relate the information provided in this book with the practical industry designs The chapters in this book are arranged in a pedagogical sequence that makes it very effective in learning the features and capabilities of the software Salient Features Consists of 13 chapters that are organized in a pedagogical sequence Brief coverage of AutoCAD Electrical 2021 concepts and techniques Tutorial approach to explain the concepts of AutoCAD Electrical 2021 Step by step instructions to guide the users through the learning process More than 38 tutorials and one student project Additional information throughout the book in the form of notes and tips Self Evaluation Tests and Review Questions at the end of each chapter to help the users assess their knowledge Table of Contents Chapter 1 Introduction to AutoCAD Electrical 2021 Chapter 2 Working with Projects and Drawings Enhanced Chapter 3 Working with Wires Chapter 4 Creating Ladders Enhanced Chapter 5 Schematic Components Enhanced Chapter 6 Schematic Editing Chapter 7 Connectors Point To Point Wiring Diagrams and Circuits Chapter 8 Panel Layouts Enhanced Chapter 9 Schematic and Panel Reports Chapter 10 PLC Modules Chapter 11 Terminals Enhanced Chapter 12 Settings Configuration Templates and Plotting Chapter 13 Creating Symbols Student Project Index About the Authors CAD/CIM Technologies Prof Sham Tickoo of Purdue University Northwest and the team of dedicated contributing authors at CAD/CIM Technologies are committed to bring you the best Textbooks eBooks and free teaching and learning resources on CAD CAM CAE Computer Programming and Applications GIS Civil Animation and Visual Effects and related technologies We strive to be the first and the best That is our promise and our goal Our team of authors consists of highly qualified and experienced Engineers who have a strong academic and industrial background They understand the needs of the students the faculty and the challenges the students face when they start working in the industry All our books have been structured in a way that facilitates teaching and learning and also exposes students to real world applications The textbooks apart from providing comprehensive study

material are well appreciated for the simplicity of content clarity of style and the in depth coverage of the subject **Digital Drawing for Designers** Douglas R Seidler,2007-01-01 AutoCAD has long been the industry standard for digital drawing but how do you decide which manual to use Neither simplistic nor exhaustive Digital Drawing for Designers teaches by relating to what architects and interior designers understand best the visual world Beginning with the building blocks of drawing lines circles and arcs students progress to the graphic standards that will allow them to create drawings and communicate their design ideas Advanced features such as dimensions block and linking drawings XREFs are also covered Instructions are conveyed using the language and concepts of manual drawing that all designers know enabling them to translate them to the digital environment New learners will appreciate the step by step lessons and experienced design professionals can easily access material to refresh their knowledge Clear concise and above all visual this is the AutoCAD guide written with the real world of designing in mind AutoCAD Electrical 2018 for Electrical Control Designers, 9th Edition Prof. Sham Tickoo,2017-08-14 The AutoCAD Electrical 2018 for Electrical Control Designers book has been written to assist the engineering students and the practicing designers who are new to AutoCAD Electrical Using this book the readers can learn the application of basic tools required for creating professional electrical control drawings with the help of AutoCAD Electrical Keeping in view the varied requirements of the users this book covers a wide range of tools and features such as schematic drawings Circuit Builder panel drawings parametric and nonparametric PLC modules stand alone PLC I O points ladder diagrams point to point wiring diagrams report generation creation of symbols and so on This will help the readers to create electrical drawings easily and effectively Special emphasis has been laid on the introduction of concepts which have been explained using text and supported with graphical examples The examples and tutorials used in this book ensure that the users can relate the information provided in this book with the practical industry designs Salient Features Consists of 13 chapters and 2 projects that are organized in a pedagogical sequence Comprehensive coverage of AutoCAD Electrical 2018 concepts and techniques Tutorial approach to explain the concepts of AutoCAD Electrical 2018 Detailed explanation of all commands and tools Summarized content on the first page of the topics that are covered in the chapter Hundreds of illustrations for easy understanding of concepts Step by step instructions to guide the users through the learning process Emphasis on Why and How with explanation More than 45 tutorials and projects Additional information throughout the book in the form of notes and tips Self Evaluation Tests and Review Questions at the end of each chapter to help the users assess their knowledge Technical support by contacting techsupport cadcim com Table of Contents Chapter 1 Introduction to AutoCAD Electrical 2018 Chapter 2 Working with Projects and Drawings Chapter 3 Working with Wires Chapter 4 Creating Ladders Chapter 5 Schematic Components Chapter 6 Schematic Editing Chapter 7 Connectors Point to Point Wiring Diagrams and Circuits Chapter 8 Panel Layouts Chapter 9 Schematic and Panel Reports Chapter 10 PLC Modules Chapter 11 Terminals Chapter 12 Settings Configurations Templates and Plotting Chapter 13 Creating Symbols Project 1 Project 2 Index

AutoCAD Electrical 2020: A Tutorial Approach Prof. Sham Tickoo, The AutoCAD Electrical 2020 A Tutorial Approach is a tutorial based book that introduces the readers to AutoCAD Electrical 2020 software designed specifically for creating professional electrical control drawings The book has a wide range of tutorials covering the tools and features of AutoCAD Electrical such as schematic drawings panel drawings parametric and nonparametric PLC modules ladder diagrams Circuit Builder point to point wiring diagrams report generation creation of symbols and so on These tutorials will enable the users to create innovative electrical control drawings with ease Moreover the tutorials used ensure that the users can relate the information provided in this book with the practical industry designs The chapters in this book are arranged in a pedagogical sequence that makes it very effective in learning the features and capabilities of the software Salient Features Consists of 13 chapters that are organized in a pedagogical sequence Brief coverage of AutoCAD Electrical 2020 concepts and techniques Tutorial approach to explain the concepts of AutoCAD Electrical 2020 Step by step instructions to guide the users through the learning process More than 35 tutorials and one student project Additional information throughout the book in the form of notes and tips Self Evaluation Tests and Review Questions at the end of each chapter to help the users assess their knowledge Table of Contents Chapter 1 Introduction to AutoCAD Electrical 2020 Chapter 2 Working with Projects and Drawings Chapter 3 Working with Wires Chapter 4 Creating Ladders Chapter 5 Schematic Components Chapter 6 Schematic Editing Chapter 7 Connectors Point To Point Wiring Diagrams and Circuits Chapter 8 Panel Layouts Chapter 9 Schematic and Panel Reports Chapter 10 PLC Modules Chapter 11 Terminals Chapter 12 Settings Configuration Templates and Plotting Chapter 13 Creating Symbols Student Project Index

AutoCAD Electrical 2022 for Electrical Control Designers, 13th Edition Prof. Sham Tickoo, 2021-06-18 The AutoCAD Electrical 2022 for Electrical Control Designers book has been written to assist the engineering students and the practicing designers who are new to AutoCAD Electrical Using this book the readers can learn the application of basic tools required for creating professional electrical control drawings with the help of AutoCAD Electrical Keeping in view the varied requirements of the users this book covers a wide range of tools and features such as schematic drawings Circuit Builder panel drawings parametric and nonparametric PLC modules stand alone PLC I O points ladder diagrams point to point wiring diagrams report generation creation of symbols and so on This will help the readers to create electrical drawings easily and effectively

Autocad Electronics Tumility, 1996-01-01 AutoCAD 2019 Tutorial First Level 2D Fundamentals Randy Shih, Luke Jumper, 2018-05-31 The primary goal of AutoCAD 2019 Tutorial First Level 2D Fundamentals is to introduce the aspects of Computer Aided Design and Drafting CADD This text is intended to be used as a training guide for students and professionals This text covers AutoCAD 2019 and the lessons proceed in a pedagogical fashion to guide you from constructing basic shapes to making multiview drawings This textbook contains a series of eleven tutorial style lessons designed to introduce beginning CAD users to AutoCAD 2019 It takes a hands on exercise intensive approach to all the important 2D CAD techniques and concepts This text is also helpful to AutoCAD users

upgrading from a previous release of the software The new improvements and key enhancements of the software are incorporated into the lessons The 2D CAD techniques and concepts discussed in this text are also designed to serve as the foundation to the more advanced parametric feature based CAD packages such as Autodesk Inventor The basic premise of this book is that the more designs you create using AutoCAD 2019 the better you learn the software With this in mind each lesson introduces a new set of commands and concepts building on previous lessons This book is intended to help readers establish a good basis for exploring and growing in the exciting field of Computer Aided Engineering Video Training Included with every new copy of AutoCAD 2019 Tutorial First Level 2D Fundamentals is access to extensive video training The video training parallels the exercises found in the text and are designed to be watched first before following the instructions in the book However the videos do more than just provide you with click by click instructions Author Luke Jumper also includes a brief discussion of each tool as well as rich insight into why and how the tools are used Luke isn't just telling you what to do he's showing and explaining to you how to go through the exercises while providing clear descriptions of the entire process It's like having him there guiding you through the book These videos will provide you with a wealth of information and brings the text to life They are also an invaluable resource for people who learn best through a visual experience These videos deliver a comprehensive overview of the 2D tools found in AutoCAD and perfectly complement and reinforce the exercises in the book AutoCAD 2019 Certified User Examination The content of AutoCAD 2019 Tutorial First Level 2D Fundamentals covers the performance tasks that have been identified by Autodesk as being included on the AutoCAD 2019 Certified User Examination Special reference guides show you where the performance tasks are covered in the book If you are teaching an introductory level AutoCAD course and you want to prepare your students for the AutoCAD 2019 Certified User Examination this is the only book that you need If your students are not interested in the AutoCAD 2019 Certified User Examination they will still be studying the most important tools and techniques of AutoCAD as identified by Autodesk [AutoCAD Electrical 2024: A Tutorial Approach, 5th Edition](#) Prof. Sham Tickoo, 2023-12-06 The AutoCAD Electrical 2024 A Tutorial Approach is a tutorial based book that introduces the readers to AutoCAD Electrical 2024 software designed specifically for creating professional electrical control drawings The book has a wide range of tutorials covering the tools and features of AutoCAD Electrical such as schematic drawings panel drawings parametric and nonparametric PLC modules ladder diagrams Circuit Builder point to point wiring diagrams report generation creation of symbols and so on These tutorials will enable the users to create innovative electrical control drawings with ease Moreover the tutorials used ensure that the users can relate the information provided in this book with the practical industry designs The chapters in this book are arranged in a pedagogical sequence that makes it very effective in learning the features and capabilities of the software In this edition a new feature Symbol list report has been added Also the author has covered enhancements in topics such as Wire type synchronization and Markup Assist Salient Features Consists of 13 chapters that are organized in a pedagogical sequence Brief coverage of

AutoCAD Electrical 2024 concepts and techniques Tutorial approach to explain the concepts of AutoCAD Electrical 2024 Step by step instructions to guide the users through the learning process More than 38 tutorials and one student project Additional information throughout the book in the form of notes and tips Self Evaluation Tests and Review Questions at the end of each chapter to help the users assess their knowledge Table of Contents Chapter 1 Introduction to AutoCAD Electrical 2024 Chapter 2 Working with Projects and Drawings Chapter 3 Working with Wires Chapter 4 Creating Ladders Chapter 5 Schematic Components Chapter 6 Schematic Editing Chapter 7 Connectors Point To Point Wiring Diagrams and Circuits Chapter 8 Panel Layouts Chapter 9 Schematic and Panel Reports Chapter 10 PLC Modules Chapter 11 Terminals Chapter 12 Settings Configuration Templates and Plotting Chapter 13 Creating Symbols Student Project Index [AutoCAD Electrical 2023 for Electrical Control Designers, 14th Edition](#) Prof. Sham Tickoo, The AutoCAD Electrical 2023 for Electrical Control Designers book has been written to assist the engineering students and the practicing designers who are new to AutoCAD Electrical Using this book the readers can learn the application of basic tools required for creating professional electrical control drawings with the help of AutoCAD Electrical Keeping in view the varied requirements of the users this book covers a wide range of tools and features such as schematic drawings Circuit Builder panel drawings parametric and nonparametric PLC modules stand alone PLC I O points ladder diagrams point to point wiring diagrams report generation creation of symbols and so on This will help the readers to create electrical drawings easily and effectively In this edition the author has covered two new features Markup Import and Markup Assist Also the author has covered enhancements in topics such as Copying Project and Updating Signal Arrows Salient Features Consists of 13 chapters and 2 projects that are organized in a pedagogical sequence Comprehensive coverage of AutoCAD Electrical 2023 concepts and techniques Tutorial approach to explain the concepts of AutoCAD Electrical 2023 Detailed explanation of all commands and tools Summarized content on the first page of the topics that are covered in the chapter Hundreds of illustrations for easy understanding of concepts Step by step instructions to guide the users through the learning process More than 45 tutorials and projects Additional information throughout the book in the form of notes and tips Self Evaluation Tests and Review Questions at the end of each chapter to help the users assess their knowledge Table of Contents Chapter 1 Introduction to AutoCAD Electrical 2023 Chapter 2 Working with Projects and Drawings Chapter 3 Working with Wires Chapter 4 Creating Ladders Chapter 5 Schematic Components Chapter 6 Schematic Editing Chapter 7 Connectors Point To Point Wiring Diagrams and Circuits Chapter 8 Panel Layouts Chapter 9 Schematic and Panel Reports Chapter 10 PLC Modules Chapter 11 Terminals Chapter 12 Settings Configuration Templates and Plotting Chapter 13 Creating Symbols Project 1 Project 2 For free download Index **Digital Drawing for Designers** Douglas R. Seidler,2020-12-10 AutoCAD continues to dominate the two dimensional drafting marketplace for architects and interior designers Digital Drawing for Designers A Visual Guide to AutoCAD 2021 is designed to help this community by using visual methods to lead to understanding Starting with the building blocks of drawing lines

circles and arcs the book progresses through architectural graphic standards enabling students to create presentation and construction drawings that effectively communicate their design ideas Advanced features such as annotative dimensions annotative blocks express tools and linking drawings XREFs are also covered Instructions are illustrated using language and concepts from manual drafting facilitating a smooth transition to the digital environment for all designers and shows just how your paper idea becomes a digital reality Clear concise and above all visual this AutoCAD guide gives you exactly what you need to become a pro at this program New to this Edition Addition of a drawing chapter toward the beginning to show how it connects to the AutoCAD program and how drawing influences final digital renders Inclusion of a Golden Nugget box feature throughout each chapter explaining the why behind certain practices Updates on Android and iOS platforms including the most up to date information

AutoCAD Electrical 2023: A Tutorial Approach, 4th Edition Prof. Sham Tickoo, 2022-07-08 The AutoCAD Electrical 2023 A Tutorial Approach is a tutorial based book that introduces the readers to AutoCAD Electrical 2023 software designed specifically for creating professional electrical control drawings The book has a wide range of tutorials covering the tools and features of AutoCAD Electrical such as schematic drawings panel drawings parametric and nonparametric PLC modules ladder diagrams Circuit Builder point to point wiring diagrams report generation creation of symbols and so on These tutorials will enable the users to create innovative electrical control drawings with ease Salient Features Consists of 13 chapters that are organized in a pedagogical sequence Brief coverage of AutoCAD Electrical 2023 concepts and techniques Tutorial approach to explain the concepts of AutoCAD Electrical 2023 Step by step instructions to guide the users through the learning process More than 38 tutorials and one student project Additional information throughout the book in the form of notes and tips Self Evaluation Tests and Review Questions at the end of each chapter to help the users assess their knowledge Table of Contents Chapter 1 Introduction to AutoCAD Electrical 2023 Chapter 2 Working with Projects and Drawings Enhanced Chapter 3 Working with Wires Chapter 4 Creating Ladders Chapter 5 Schematic Components Chapter 6 Schematic Editing Enhanced Chapter 7 Connectors Point To Point Wiring Diagrams and Circuits Chapter 8 Panel Layouts Chapter 9 Schematic and Panel Reports Chapter 10 PLC Modules Chapter 11 Terminals Chapter 12 Settings Configuration Templates and Plotting Chapter 13 Creating Symbols Enhanced Student Project Index

Digital Drawing for Designers: A Visual Guide to AutoCAD® 2017 Douglas R. Seidler, 2016-07-28 AutoCAD continues to dominate the two dimensional drafting marketplace for architects and interior designers Digital Drawing for Designers A Visual Guide to AutoCAD 2017 is designed to help this community by visually teaching for step by step understanding Beginning with the building blocks of drawing lines circles and arcs the book progresses through architectural graphic standards enabling students to create presentation and construction drawings that effectively communicate their design ideas Advanced features such as annotative dimensions annotative blocks express tools and linking drawings XREFs are also covered Instructions are illustrated using language and concepts from manual drafting facilitating a smooth

transition to the digital environment for all designers New learners will appreciate the step by step lessons and visual illustrations while experienced design professionals can easily access material to refresh their knowledge Clear concise and above all visual this AutoCAD guide speaks directly to the needs of architects and interior designers **AutoCAD Electrical 2024 Black Book** Gaurav Verma, Matt Weber, 2023-05-10 The AutoCAD Electrical 2024 Black Book the 9th edition of AutoCAD Electrical Black book has been updated as per the enhancements in the AutoCAD Electrical 2024 Following the same strategy as for the previous edition the book follows a step by step methodology It covers almost all the information required by a learner to master the AutoCAD Electrical The book starts with basics of Electrical Designing goes through all the Electrical controls related tools and discusses practical examples of electrical schematic and panel designing Chapter on Reports makes you able to create and edit electrical component reports We have also discussed the interoperability between Autodesk Inventor and AutoCAD Electrical which is need of industry these days Two annexures have been added to explain basic concepts of control panel designing Some of the salient features of this book are In Depth explanation of concepts Every new topic of this book starts with the explanation of the basic concepts In this way the user becomes capable of relating the things with real world Topics Covered Every chapter starts with a list of topics being covered in that chapter In this way the user can easily find the topic of his her interest easily Instruction through illustration The instructions to perform any action are provided by maximum number of illustrations so that the user can perform the actions discussed in the book easily and effectively There are about 900 small and large illustrations that make the learning process effective Tutorial point of view At the end of concept s explanation the tutorial makes the understanding of users firm and long lasting Almost each chapter of the book has tutorials that are real world projects Moreover most of the tools in this book are discussed in the form of tutorials For Faculty If you are a faculty member then you can ask for video tutorials on any of the topic exercise tutorial or concept As faculty you can register on our website to get electronic desk copies of our latest books self assessment and solution of practical Faculty resources are available in the Faculty Member page of our website once you login Note that faculty registration approval is manual and it may take two days for approval before you can access the faculty website Digital Drawing for Designers Douglas R. Seidler, 2014-08-14 Created specifically to help designers master AutoCAD Digital Drawing for Designers 2014 is neither overly simplistic nor excessively technical and teaches by relating to what architects and interior designers understand best the visual world Beginning with the building blocks of drawing lines circles and arcs the book progresses through architectural graphic standards enabling students to create drawings that effectively communicate their design ideas Advanced features such as annotative dimensions annotative blocks express tools and linking drawings XREFs are also covered Instructions are illustrated using language and concepts from manual drafting facilitating a smooth transition to the digital environment for all designers New learners will appreciate the step by step lessons and visual illustrations while experienced design professionals can easily access material to refresh their

knowledge Clear concise and above all visual this AutoCAD guide speaks directly to the needs of architects and interior designers

Mastering AutoCAD 2015 and AutoCAD LT 2015 George Omura, Brian C. Benton, 2014-05-14 The ultimate reference and tutorial for AutoCAD software This Autodesk Official Press book employs concise explanations focused examples step by step instructions and hands on projects to help you master both AutoCAD and AutoCAD LT This detailed guide works well as both a tutorial and stand alone reference and is the perfect resource regardless of your level of expertise Part I introduces the basics of the interface and drafting tools Part II moves into such intermediate skills as effectively using hatches fields and tables Part III details such advanced skills as attributes dynamic blocks drawing curves and solid fills Part IV explores 3D modeling and imaging Part V discusses customization and integration The supporting website includes all the project files necessary for the tutorials as well as video tutorials and other bonus content

AutoCAD Fundamentals Laboratory Manual Gayatri Patel, 2016-02-05 This manual is built with many experiments using various 2D commands of AutoCAD software It also covers Basics of Computers Fundamentals including Computer Hardware Operating System How to Prepare Documents like Resume How to Create Worksheets like Student Record Sheet How to Prepare Presentations How to create documents in Gujarati Basics of Internet How to Design Your Own Web Pages Throughout the book most of the features and concepts are explained along with examples to gain state of the art knowledge

AutoCAD 2025 Tutorial First Level 2D Fundamentals Randy Shih, Designed for users new to CAD Uses step by step tutorials to teach you 2D drawing using AutoCAD Covers the performance tasks found on the AutoCAD 2025 Certified User Examination Includes extensive video instruction The primary goal of AutoCAD 2025 Tutorial First Level 2D Fundamentals is to introduce the aspects of Computer Aided Design and Drafting CADD This text is intended to be used as a training guide for students and professionals This text covers AutoCAD 2025 and the lessons proceed in a pedagogical fashion to guide you from constructing basic shapes to making multiview drawings This textbook contains a series of twelve tutorial style lessons designed to introduce beginning CAD users to AutoCAD 2025 It takes a hands on exercise intensive approach to all the important 2D CAD techniques and concepts This text is also helpful to AutoCAD users upgrading from a previous release of the software The new improvements and key enhancements of the software are incorporated into the lessons The 2D CAD techniques and concepts discussed in this text are also designed to serve as the foundation to the more advanced parametric feature based CAD packages such as Autodesk Inventor The basic premise of this book is that the more designs you create using AutoCAD 2025 the better you learn the software With this in mind each lesson introduces a new set of commands and concepts building on previous lessons This book is intended to help readers establish a good basis for exploring and growing in the exciting field of Computer Aided Engineering Video Training Included with every new copy of AutoCAD 2025 Tutorial First Level 2D Fundamentals is access to extensive video training There are forty six videos with more than five hours of training in total This video training parallels the exercises found in the text and is designed to be watched first before

following the instructions in the book However the videos do more than just provide you with click by click instructions Author Luke Jumper also includes a brief discussion of each tool as well as rich insight into why and how the tools are used Luke isn t just telling you what to do he s showing and explaining to you how to go through the exercises while providing clear descriptions of the entire process It s like having him there guiding you through the book These videos will provide you with a wealth of information and bring the text to life They are also an invaluable resource for people who learn best through a visual experience These videos deliver a comprehensive overview of the 2D tools found in AutoCAD and perfectly complement and reinforce the exercises in the book

AutoCAD Electrical 2019 for Electrical Control Designers, 10th Edition Prof. Sham Tickoo,2019-01-02 The AutoCAD Electrical 2019 for Electrical Control Designers book has been written to assist the engineering students and the practicing designers who are new to AutoCAD Electrical Using this book the readers can learn the application of basic tools required for creating professional electrical control drawings with the help of AutoCAD Electrical Keeping in view the varied requirements of the users this book covers a wide range of tools and features such as schematic drawings Circuit Builder panel drawings parametric and nonparametric PLC modules stand alone PLC I O points ladder diagrams point to point wiring diagrams report generation creation of symbols and so on This will help the readers to create electrical drawings easily and effectively Salient Features Consists of 13 chapters and 2 projects that are organized in a pedagogical sequence Comprehensive coverage of AutoCAD Electrical 2019 concepts and techniques Tutorial approach to explain the concepts of AutoCAD Electrical 2019 Detailed explanation of all commands and tools Step by step instructions to guide the users through the learning process Self Evaluation Tests and Review Questions at the end of each chapter to help the users assess their knowledge Table of Contents Chapter 1 Introduction to AutoCAD Electrical 2019 Chapter 2 Working with Projects and Drawings Chapter 3 Working with Wires Chapter 4 Creating Ladders Chapter 5 Schematic Components Chapter 6 Schematic Editing Chapter 7 Connectors Point To Point Wiring Diagrams and Circuits Chapter 8 Panel Layouts Chapter 9 Schematic and Panel Reports Chapter 10 PLC Modules Chapter 11 Terminals Chapter 12 Settings Configuration Templates and Plotting Chapter 13 Creating Symbols Project 1 Project 2 Index

AutoCAD 2021 Tutorial First Level 2D Fundamentals Randy Shih,2020-07 The primary goal of AutoCAD 2021 Tutorial First Level 2D Fundamentals is to introduce the aspects of Computer Aided Design and Drafting CADD This text is intended to be used as a training guide for students and professionals This text covers AutoCAD 2021 and the lessons proceed in a pedagogical fashion to guide you from constructing basic shapes to making multiview drawings This textbook contains a series of eleven tutorial style lessons designed to introduce beginning CAD users to AutoCAD 2021 It takes a hands on exercise intensive approach to all the important 2D CAD techniques and concepts This text is also helpful to AutoCAD users upgrading from a previous release of the software The new improvements and key enhancements of the software are incorporated into the lessons The 2D CAD techniques and concepts discussed in this text are also designed to serve as the foundation to the more

advanced parametric feature based CAD packages such as Autodesk Inventor The basic premise of this book is that the more designs you create using AutoCAD 2021 the better you learn the software With this in mind each lesson introduces a new set of commands and concepts building on previous lessons This book is intended to help readers establish a good basis for exploring and growing in the exciting field of Computer Aided Engineering Video Training Included with every new copy of AutoCAD 2021 Tutorial First Level 2D Fundamentals is access to extensive video training The video training parallels the exercises found in the text and is designed to be watched first before following the instructions in the book However the videos do more than just provide you with click by click instructions Author Luke Jumper also includes a brief discussion of each tool as well as rich insight into why and how the tools are used Luke isn't just telling you what to do he's showing and explaining to you how to go through the exercises while providing clear descriptions of the entire process It's like having him there guiding you through the book These videos will provide you with a wealth of information and bring the text to life They are also an invaluable resource for people who learn best through a visual experience These videos deliver a comprehensive overview of the 2D tools found in AutoCAD and perfectly complement and reinforce the exercises in the book

xtremepapers com chemistry 5070 01 1 hour ig exams - Feb 11 2023

web chemistry 5070 01 paper 1 multiple choice october november 2004 1 hour additional materials multiple choice answer sheet soft clean eraser soft pencil type b or hb is

cambridge o level chemistry 5070 - Jul 04 2022

web cambridge o level chemistry 5070 past papers examiner reports and specimen papers you can download one or more papers for a previous session please note that these

chemistry xtremepapers - Jun 03 2022

web jun 1 2023 i have compiled links for sites yt videos ppts etc in a single file for various igcse subjects despite the fact that it was primarily made for igcses it can still be

gcse chemistry revision xtremepapers advancing - Aug 17 2023

web moles and empirical formula energy in chemistry air and water sulphur carbonates redox reactions reversible reactions revision resource for students studying their

university of cambridge international - Dec 09 2022

web ib10 06 5070 13 rp ucles 2010 turn over 5988447365 university of cambridge international examinations general certificate of education

past papers o levels chemistry 5070 2022 gce guide - Jul 16 2023

web aug 13 2023 past papers o levels chemistry 5070 2022 gce guide past papers of o levels chemistry 5070 2022

cambridge o levels cambridge igcse

xtremepapers ig exams - Apr 13 2023

web 6 5070 04 m j 07 for examiner s use ucles 2007 3 a a student set up the apparatus shown in the diagram she then carefully removed the glass disc allowing the

cambridge o level chemistry 5070 - May 02 2022

web syllabus overview cambridge o level chemistry helps learners to understand the technological world in which they live and take an informed interest in science and

quick revision notes chemistry xtremepapers - Sep 06 2022

web may 2 2023 we are currently struggling to cover the operational costs of xtremepapers as a result we might have to shut this website down qualifications exams tests o

xtremepapers gce guide - May 14 2023

web chemistry paper 4 alternative to practical university of cambridge international examinations general certificate of education ordinary level

university of cambridge international - Mar 12 2023

web ib07 06 5070 01 2rp ucles 2007 turn over 1410742393 university of cambridge international examinations general certificate of education

university of cambridge international - Jan 10 2023

web chemistry 5070 04 paper 4 alternative to practical may june 2004 1 hour candidates answer on the question paper no additional materials are required read these

xtremepapers - Apr 01 2022

web the history of literature is the historical development of writings in prose or poetry that attempt to provide entertainment enlightenment or instruction to the

university of cambridge international - Jun 15 2023

web ucles 2010 5070 13 o n 10 1 the boiling points of various gases found in the air are shown below c argon 186 carbon dioxide 78 nitrogen 198 oxygen 183 if the air is

past papers o levels chemistry 5070 gce guide - Sep 18 2023

web aug 13 2023 past papers o levels chemistry 5070 gce guide past papers of o levels chemistry 5070 cambridge o levels cambridge igcse cambridge int l as

gcse and a level revision xtremepapers advancing - Aug 05 2022

web revision revision resource for students studying their gcse and a levels featuring high quality revision guides revision

notes and revision questions for a range of subjects

5070 s07 er 1 ig exams - Nov 08 2022

web 5070 chemistry june 2007 1 xtremepapers com question 7 5070 chemistry june 2007 2 chemistry paper 5070 02 theory general comments many candidates

xtremepapers com foreword 1 chemistry - Oct 07 2022

web paper 5070 04 alternative to practical 8 this booklet contains reports written by examiners on the work of candidates in certain papers its contents are primarily for the

chemistry 5070 o level notes compiled xtremepapers - Feb 28 2022

web mar 31 2018 qualifications exams tests o levels gcse igcse so guys i am currently using these notes and well they ve helped a lot hope you get help from them too

enceinte par frotti frotta journal des femmes santé - Apr 30 2023

web réponse 1 3 meilleure réponse petitcoeur26400 875 3 juil 2012 à 20 33 c est possible de tomber enceinte ainsi que si il y a un contact direct des deux sexe donc peau contre peau

doc gynéco frotti frotta c est l amour qui contrôle youtube - Aug 03 2023

web aug 17 2018 doc gyneco célèbre les 20 ans de première consultation rÉÉdition de l album disponible ici smarturl it premiereconsultation suivez doc gyneco su

frotti frotta risque de grossesse questions réponses ciao ch - Jan 28 2023

web feb 25 2020 le truc c est qu elle a peur de tomber enceinte car après l acte elle a touchée pour voir si son sexe était mouillé et en effet elle a senti qu elle était mouillée sûrement due à l excitation je cite en anglais il y a

frotti frotta définition de frotti frotta centre - Mar 18 2022

web frotti frotta subst masc fam et plais a action de frotter de se frotter dans un sens puis dans un autre l affection les jours de gala allait jusqu au baiser de paix ce frotti frotta de joues mal rasées h bazin vipère 1948 p 149 b p ext pop

doc gynéco feat stomy buggy frotti frotta paroles - Feb 14 2022

web stomy buggy frotti frotta c est l amour qui contrôle sur l album solitaire de doc gynéco sortit en 2002

frotti frotta définitions synonymes conjugaison exemples - Mar 30 2023

web définition de frotti frotta votre navigateur ne prend pas en charge audio nom masculin invariable familier frottement dans un sens puis dans un autre contact érotique entre des personnes qui se frottent l une à l autre

frotti frotta produits pour sportifs - Oct 05 2023

web une ligne de produits conçue pour vous permettre d avancer développé en collaboration avec des coureurs de fond expérimentés frotti frotta aide à prévenir et à soulager les problèmes de peaux reliés aux frottements aux ampoules et aux

irritations idéal pour toutes activités physiques ou pour la vie de tous les jours

frotti frotha translation in english french english dictionary - Sep 23 2022

web frotti frotha translation in french english reverso dictionary see also froter frottis frou frou frottement exemples

definition conjugation translation context spell check synonyms conjugation

frotti frotha produits pour sportifs - Sep 04 2023

web a line of products designed to keep you moving forward developed in collaboration with experienced long distance runners frotti frotha helps prevent and relieve skin problems related to chafing blisters and irritation ideal for all physical activities or for everyday life 1

frotti frotha wiktionnaire le dictionnaire libre - Jun 20 2022

web nom commun frotti frotha frɔ ti frɔ ta masculin action de froter dans un sens puis dans un autre

frotti frotha c est l amour qui contrôle genius - Nov 25 2022

web aug 23 2002 frotti frotha c est l amour qui contrôle lyrics ola ou té yé di mwen sa ki ka passé ola ou té yé bb léssé mwen soufflé ola ou té yééé

À propos frotti frotha - Apr 18 2022

web the history of frotti frotha it is a quebec company specializing in foot products that is behind frotti frotha solicited by several clients and friends of long distance runners with chafing problems she took up the challenge of finding

frotti frotha youtube - May 20 2022

web nov 21 2014 provided to youtube by wagramfrotti frotha rené aubrymémoires du futur hopi mesareleased on 2006 04 10lyricist rené aubrycomposer rené aubryauto genera

définition de frotti frotha dictionnaire français - Jun 01 2023

web a action de froter de se froter dans un sens puis dans un autre l affection les jours de gala allait jusqu au baiser de paix ce frotti frotha de joues mal rasées h bazin vipère 1948 p 149 b p ext pop gén en parlant d un couple qui s étirent en dansant c en est un de frotti frotha

frotti frotha sans sous vêtements sos journal des femmes santé - Dec 27 2022

web frotti frotha sans sous vêtements sos alors voila hier je me suis laissé entrainer dans 1 frotti frotha avec mon chéri et le pire c est qu on portait pas nos sous vêtements d ailleurs je ne sais pas comment je me suis retrouvé dans une situation pareil on faisait tres attention mais bon le mal est fait et je flippe a mort vraiment

products frotti frotha - Feb 26 2023

web frotti frotha shampoo home shop showing all 9 results show sidebar compare quick view anti chafing balm grapefruit lavender 50ml 24 90 add to cart compare quick view anti chafing balm grapefruit lavender pocket size 20ml 14 95 add to cart

compare quick view pocket sized cold protective face balm

frotti frotta qui a mené a une penetration yabiladi com - Aug 23 2022

web mar 12 2012 forums frotti frotta qui a mené a une penetration salam je ne souhaite pas avoir de commentaires négatifs je suis pas là pour ca j ai une question et j aimerais qu on m y réponde tout simplement avec mon compagnon je pratiquais souvent la sodo j

frotta wiktionary the free dictionary - Oct 25 2022

web mar 17 2023 frotta third person singular past historic of froter italian edit etymology edit borrowed from old french flote cf modern french flotte pronunciation edit ipa 'fʁɔt ta rhymes ɔtta hyphenation fròt ta noun edit frotta f plural frotte crowd in the plural hundreds droves derived terms edit a frotte in frotta

frotti frotta translation into english examples french reverso - Jul 22 2022

web translations in context of frotti frotta in french english from reverso context sauter sur les tables faire du frotti frotta

le dry humping en français frotti frotta ce sexe torride et codé - Jul 02 2023

web jan 15 2019 on appelle cela le dry dumping de dry sec et humping que l on utilise à propos d un chien qui se frotte à votre jambe dry humping donc mais le rappeur doc gynéco avait déjà chanté le frotti frotta

inner game golf die idee vom selbstcoaching abebooks - Nov 06 2022

web inner game golf die idee vom selbstcoaching bei abebooks de isbn 10 3980916707 isbn 13 9783980916707 hardcover

inner game golf von w t gallwey portofrei bei bücher de bestellen - Jan 08 2023

web anleitung und klassiker zugleich mit weltweit mehr als einer million verkauften exemplaren und nun bereits in der 7 auflage erschienen ist inner game golf ein echtes standardwerk geworden mit seinen innovativen ideen vom selbstcoaching sorgt das buch bei seinen lesern für jede menge inspiration und aha momente man kann sich auf

inner game golf die idee vom selbstcoaching amazon de - Apr 11 2023

web inner game golf die idee vom selbstcoaching w t gallwey frank pyko amazon de books

inner game golf die idee vom selbstcoaching hardcover - Mar 10 2023

web buy inner game golf die idee vom selbstcoaching by gallwey w timothy savelsberg jörg isbn 9783980916707 from amazon s book store everyday low prices and free delivery on eligible orders

inner game golf allesimfluss verlag shop ag - Jun 01 2022

web inner game golf allesimfluss verlag shop ag die idee vom selbstcoaching inkl 7 mwst faz 07 09 2004 auch als e book erhältlichpreis eur 19 99 inkl 7 mwst sie finden hier weitergehende informationen zum buch die sie bei interesse herunterladen können inhaltsverzeichnis vorwort des autors nachwort des verlegers liste der Übungen

inner game golf epub pdf ebook kaufen ebooks sport - Dec 27 2021

web inner game golf von timothy gallwey hat es geschafft im englischsprachigen raum ist es ein klassiker golfjournal das im englischsprachigen raum als mental bibel geltende inner game golf von w timothy gallwey ist eine anleitung zum self coaching frankfurter allgemeine zeitung

inner game golf von w timothy gallwey bücher orell füssli - Feb 26 2022

web jetzt online bestellen heimlieferung oder in filiale inner game golf die idee vom selbstcoaching von w timothy gallwey orell füssli der buchhändler ihres vertrauens

inner game golf die idee vom selbstcoaching ciltli kapak - Aug 15 2023

web inner game golf die idee vom selbstcoaching gallwey w timothy amazon com tr kitap

inner game golf die idee vom selbstcoaching amazon de - Jul 14 2023

web inner game golf die idee vom selbstcoaching w t gallwey frank pyko isbn 9783980916707 kostenloser versand für alle bücher mit versand und verkauf duch amazon

inner game golf die idee vom selbstcoaching hardcover - Jul 02 2022

web inner game golf die idee vom selbstcoaching on amazon com au free shipping on eligible orders inner game golf die idee vom selbstcoaching

amazon co uk customer reviews inner game golf die idee vom selbstcoaching - Aug 03 2022

web find helpful customer reviews and review ratings for inner game golf die idee vom selbstcoaching at amazon com read honest and unbiased product reviews from our users

amazon de kundenrezensionen inner game golf die idee vom selbstcoaching - Dec 07 2022

web finde hilfreiche kundenrezensionen und rezensionsbewertungen für inner game golf die idee vom selbstcoaching auf amazon de lese ehrliche und unvoreingenommene rezensionen von unseren nutzern

leseprobe inner game golf golfsportmagazin - Oct 05 2022

web jan 17 2023 januar 2023 36 minuten lesezeit auszug aus dem buch inner game golf die idee vom selbstcoaching von w timothy gallwey wir danken dem alles im fluss verlag und dem inner game trainer frank pyko

inner game golf die idee vom selbstcoaching kindle ausgabe amazon de - Jun 13 2023

web inner game golf die idee vom selbstcoaching kindle ausgabe von w timothy gallwey autor frank pyko herausgeber nachwort format kindle ausgabe 4 3 134 sternbewertungen alle formate und editionen anzeigen

9783980916707 inner game golf die idee vom selbstcoaching - Feb 09 2023

web inner game golf die idee vom selbstcoaching finden sie alle bücher von gallwey w timothy bei der büchersuchmaschine eurobuch com können sie antiquarische und neubücher vergleichen und sofort zum bestpreis bestellen 9783980916707 golf ist eine flüchtige angelegenheit das gilt für einsteiger

inner game golf die idee vom selbstcoaching google books - May 12 2023

web mit lebendigen beispielen und starken argumenten zeigt gallwey den weg zum selbstcoaching auf einer methode die nicht nur das leben auf dem golfplatz leichter macht dieses golfbuch ist im englischsprachigen raum längst ein klassiker

inner game golf die idee vom selbstcoaching - Apr 30 2022

web kindly say the inner game golf die idee vom selbstcoaching is universally compatible with any devices to read leadership and organizational change sandra g l schruijer 1999 the eighties and nineties have witnessed a renewed interest in the phenomenon of leadership this special issue provides an overview of

inner game golf die idee vom selbstcoaching neues - Sep 04 2022

web inner game golf die idee vom selbstcoaching finden sie alle bücher von gallwey w timothy bei der büchersuchmaschine eurobuch com können sie antiquarische und neubücher vergleichen und sofort zum bestpreis bestellen golf ist eine flüchtige angelegenheit das gilt für einsteiger wie profis so gut

inner game golf die idee vom selbstcoaching buchpreis - Mar 30 2022

web suchen sie die besten schnäppchen um das buch inner game golf die idee vom selbstcoaching von w t gallwey von allesimfluss verlag zu kaufen belletristik biografien erinnerungen

inner golf de inner game - Jan 28 2022

web er hat zahlreiche international erfolgreiche bücher geschrieben unter anderem auch inner game golf der weg zum selbstcoaching inner game stellt den menschen und das was er benötigt um lernen zu können und nicht die technik in den vordergrund es unterstützt sie selbst zu verstehen und zu fühlen wie ihre schlagbewegung sein sollte

Embark on a breathtaking journey through nature and adventure with is mesmerizing ebook, **Manual Electronic Autocad** . This immersive experience, available for download in a PDF format (PDF Size: *), transports you to the heart of natural marvels and thrilling escapades. Download now and let the adventure begin!

https://offsite.creighton.edu/files/virtual-library/Documents/matlab_hough_transform.pdf

https://offsite.creighton.edu/files/virtual-library/Documents/marzano_classroom_instruction_that_works.pdf

https://offsite.creighton.edu/files/virtual-library/Documents/medical_surgical_report_sheet.pdf

Table of Contents Manual Electronic Autocad

1. Understanding the eBook Manual Electronic Autocad
 - The Rise of Digital Reading Manual Electronic Autocad
 - Advantages of eBooks Over Traditional Books
2. Identifying Manual Electronic Autocad
 - Exploring Different Genres
 - Considering Fiction vs. Non-Fiction
 - Determining Your Reading Goals
3. Choosing the Right eBook Platform
 - Popular eBook Platforms
 - Features to Look for in an Manual Electronic Autocad
 - User-Friendly Interface
4. Exploring eBook Recommendations from Manual Electronic Autocad
 - Personalized Recommendations
 - Manual Electronic Autocad User Reviews and Ratings

- Manual Electronic Autocad and Bestseller Lists
- 5. Accessing Manual Electronic Autocad Free and Paid eBooks
 - Manual Electronic Autocad Public Domain eBooks
 - Manual Electronic Autocad eBook Subscription Services
 - Manual Electronic Autocad Budget-Friendly Options
- 6. Navigating Manual Electronic Autocad eBook Formats
 - ePub, PDF, MOBI, and More
 - Manual Electronic Autocad Compatibility with Devices
 - Manual Electronic Autocad Enhanced eBook Features
- 7. Enhancing Your Reading Experience
 - Adjustable Fonts and Text Sizes of Manual Electronic Autocad
 - Highlighting and Note-Taking Manual Electronic Autocad
 - Interactive Elements Manual Electronic Autocad
- 8. Staying Engaged with Manual Electronic Autocad
 - Joining Online Reading Communities
 - Participating in Virtual Book Clubs
 - Following Authors and Publishers Manual Electronic Autocad
- 9. Balancing eBooks and Physical Books Manual Electronic Autocad
 - Benefits of a Digital Library
 - Creating a Diverse Reading Collection Manual Electronic Autocad
- 10. Overcoming Reading Challenges
 - Dealing with Digital Eye Strain
 - Minimizing Distractions
 - Managing Screen Time
- 11. Cultivating a Reading Routine Manual Electronic Autocad
 - Setting Reading Goals Manual Electronic Autocad
 - Carving Out Dedicated Reading Time
- 12. Sourcing Reliable Information of Manual Electronic Autocad
 - Fact-Checking eBook Content of Manual Electronic Autocad
 - Distinguishing Credible Sources

13. Promoting Lifelong Learning
 - Utilizing eBooks for Skill Development
 - Exploring Educational eBooks
14. Embracing eBook Trends
 - Integration of Multimedia Elements
 - Interactive and Gamified eBooks

Manual Electronic Autocad Introduction

Manual Electronic Autocad Offers over 60,000 free eBooks, including many classics that are in the public domain. Open Library: Provides access to over 1 million free eBooks, including classic literature and contemporary works. Manual Electronic Autocad Offers a vast collection of books, some of which are available for free as PDF downloads, particularly older books in the public domain. Manual Electronic Autocad : This website hosts a vast collection of scientific articles, books, and textbooks. While it operates in a legal gray area due to copyright issues, its a popular resource for finding various publications. Internet Archive for Manual Electronic Autocad : Has an extensive collection of digital content, including books, articles, videos, and more. It has a massive library of free downloadable books. Free-eBooks Manual Electronic Autocad Offers a diverse range of free eBooks across various genres. Manual Electronic Autocad Focuses mainly on educational books, textbooks, and business books. It offers free PDF downloads for educational purposes. Manual Electronic Autocad Provides a large selection of free eBooks in different genres, which are available for download in various formats, including PDF. Finding specific Manual Electronic Autocad, especially related to Manual Electronic Autocad, might be challenging as theyre often artistic creations rather than practical blueprints. However, you can explore the following steps to search for or create your own Online Searches: Look for websites, forums, or blogs dedicated to Manual Electronic Autocad, Sometimes enthusiasts share their designs or concepts in PDF format. Books and Magazines Some Manual Electronic Autocad books or magazines might include. Look for these in online stores or libraries. Remember that while Manual Electronic Autocad, sharing copyrighted material without permission is not legal. Always ensure youre either creating your own or obtaining them from legitimate sources that allow sharing and downloading. Library Check if your local library offers eBook lending services. Many libraries have digital catalogs where you can borrow Manual Electronic Autocad eBooks for free, including popular titles. Online Retailers: Websites like Amazon, Google Books, or Apple Books often sell eBooks. Sometimes, authors or publishers offer promotions or free periods for certain books. Authors Website Occasionally, authors provide excerpts or short stories for free on their websites. While this might not be the Manual Electronic Autocad full book , it can give you a taste of the authors writing style. Subscription Services Platforms like Kindle Unlimited or Scribd offer subscription-based access to a

wide range of Manual Electronic Autocad eBooks, including some popular titles.

FAQs About Manual Electronic Autocad Books

What is a Manual Electronic Autocad PDF? A PDF (Portable Document Format) is a file format developed by Adobe that preserves the layout and formatting of a document, regardless of the software, hardware, or operating system used to view or print it. **How do I create a Manual Electronic Autocad PDF?** There are several ways to create a PDF: Use software like Adobe Acrobat, Microsoft Word, or Google Docs, which often have built-in PDF creation tools. Print to PDF: Many applications and operating systems have a "Print to PDF" option that allows you to save a document as a PDF file instead of printing it on paper. Online converters: There are various online tools that can convert different file types to PDF. **How do I edit a Manual Electronic Autocad PDF?** Editing a PDF can be done with software like Adobe Acrobat, which allows direct editing of text, images, and other elements within the PDF. Some free tools, like PDFescape or Smallpdf, also offer basic editing capabilities. **How do I convert a Manual Electronic Autocad PDF to another file format?** There are multiple ways to convert a PDF to another format: Use online converters like Smallpdf, Zamzar, or Adobe Acrobats export feature to convert PDFs to formats like Word, Excel, JPEG, etc. Software like Adobe Acrobat, Microsoft Word, or other PDF editors may have options to export or save PDFs in different formats. **How do I password-protect a Manual Electronic Autocad PDF?** Most PDF editing software allows you to add password protection. In Adobe Acrobat, for instance, you can go to "File" -> "Properties" -> "Security" to set a password to restrict access or editing capabilities. Are there any free alternatives to Adobe Acrobat for working with PDFs? Yes, there are many free alternatives for working with PDFs, such as: LibreOffice: Offers PDF editing features. PDFsam: Allows splitting, merging, and editing PDFs. Foxit Reader: Provides basic PDF viewing and editing capabilities. How do I compress a PDF file? You can use online tools like Smallpdf, ILovePDF, or desktop software like Adobe Acrobat to compress PDF files without significant quality loss. Compression reduces the file size, making it easier to share and download. Can I fill out forms in a PDF file? Yes, most PDF viewers/editors like Adobe Acrobat, Preview (on Mac), or various online tools allow you to fill out forms in PDF files by selecting text fields and entering information. Are there any restrictions when working with PDFs? Some PDFs might have restrictions set by their creator, such as password protection, editing restrictions, or print restrictions. Breaking these restrictions might require specific software or tools, which may or may not be legal depending on the circumstances and local laws.

Find Manual Electronic Autocad :

matlab hough transform

marzano classroom instruction that works

medical surgical report sheet

mass spectrometry medical application

mcgraw hill wonders 5th grade

meal prep journal

maternity nursing nclex review

medical dosage calculations a dimensional analysis approach

math competition preparation program

math teacher planner

med surg report sheet

memi iv interpretation

materia medica homeopathy

maryland notary handbook 2023

medication inventory spreadsheet

Manual Electronic Autocad :