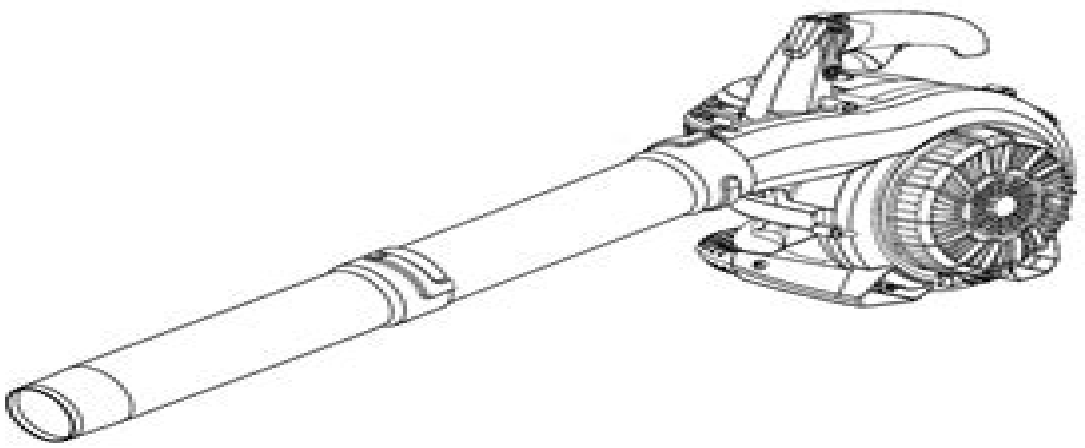
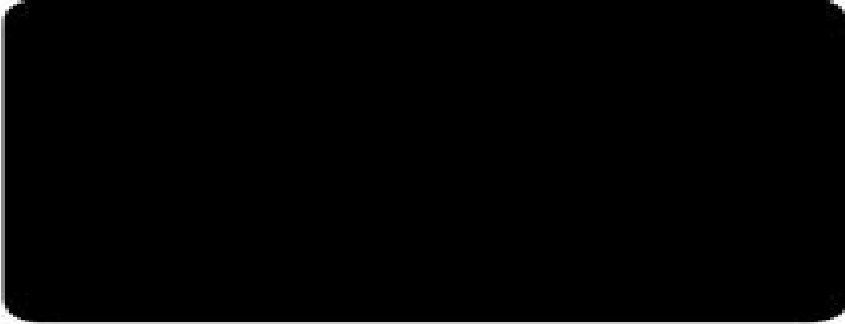



RYOBI



REGISTER YOUR TOOLS
<http://register.ryobitools.com>
1-800-860-4050

 _____

 _____

 _____

Ryobi Repair Manuals

Peipei Pang



Ryobi Repair Manuals

Guide to succulents Step-by-step manual for care and repair, 2023-12-05 The chapters in *The Succulent Manual* contain detailed sections on the most important topics **Basic Tips** First you'll learn about the basic care tips and growing cycles so you have a solid understanding of how to keep succulents alive and happy This is vital to being able to troubleshoot any problems you may run into along the way **Make More Sucs** There are many varieties of succulents that can provide a lifetime supply of plants for you and others from just one plant You'll learn about propagation by leaves division cuttings and seeds **Succulent SOS** Stretched plants leaf drop pests the **Symptoms** section will help you identify problems with your succulents while the following section **Take Action** provides solutions and repair tips **Regional Tips** Your climate and location have a major influence on the obstacles you may run into This chapter covers the various regional and seasonal challenges Yes you can pick more than one section at least three apply to me *The Succulent Manual* also includes identification tips care tips and instructions on building a garden bed for in ground succulents a buying guide for plants and supplies a Knowledge Bank glossary and other useful advice There's something admirable about a succulent's ability to thrive without our interference and to bounce back from certain death despite our ignorance It makes us feel like we're doing something right though it's usually just the plant's tenacious nature to survive kicking in But wait We must be doing something right if a succulent is strong enough to keep growing right Right A little bit of wisdom goes a long way in the garden and that's what this guide is all about These insights will help you learn what your succulents are telling you whether it's

Small Engines and Outdoor Power Equipment, Updated 2nd Edition Editors of Cool Springs Press, 2020-09-29 This updated edition of the best selling *Small Engines and Power Equipment* is more than a simple engine repair manual Designed for the beginner with little or no mechanical experience this book is a graphically appealing step by step guide that covers all of the most important engine maintenance and repair skills you'll need to keep your equipment running at peak performance It also shows exactly how to perform mechanical upkeep and repairs on the most common outdoor power implements With new and improved content for today's motorized equipment this DIY bible includes engine and mechanical repair plus maintenance instruction for all your outdoor power equipment including lawn mowers snow blowers chain saws power washers generators leaf blowers rototillers wood splitters lawn edgers and weed whips With clear how to photos and detailed diagrams you'll see exactly what needs to be done A comprehensive troubleshooting guide helps you define problems and enact solutions Among the many skills you'll learn are seasonal tune ups changing oil servicing spark plugs cleaning filters replacing muffler servicing the fuel tank overhauling the carburetor servicing brakes inspecting flywheels replacing the fuel pump and replacing a rewind cord With *Small Engines and Outdoor Power Equipment 2nd Edition* in your library you won't need to haul the lawn mower off to the repair center and wait a few weeks just because a filter is plugged or the old gas needs to be replaced This is a book every

home owning weekend warrior should have a copy of **School Shop** ,1984 **Small Gas Engine Repair, Fourth Edition** Paul Dempsey,2017-05-26 Publisher s Note Products purchased from Third Party sellers are not guaranteed by the publisher for quality authenticity or access to any online entitlements included with the product Save money by performing your own small engine maintenance and repair jobs Fully updated to reflect the latest technologies this best selling guide shows how to troubleshoot and repair the engines found in household devices including lawnmowers garden tractors portable generators and handheld tools Written by a master mechanic Small Gas Engine Repair Fourth Edition provides easy to follow fully illustrated instructions for complicated diagnostic and repair procedures The book suggests money saving alternatives to expensive factory tools and overpriced replacement parts You will gain access to valuable Internet resources as well as shortcuts field fixes and other tricks of the trade that working mechanics use on the job You ll find coverage of Basics Troubleshooting Ignition and related systems Fuel systems Rewind starters Electrical systems Engine mechanical Two and four cycle engines Diaphragm carburetors Electronic fuel injection And much more [Insurance Restoration Contracting](#) Paul Bianchina,2011 Insurance restoration the repair of buildings damaged by water fire smoke storms and other disasters is an exciting and challenging field of construction It also offers contractors lucrative work that s immune to economic downturns pipes still break buildings still burn and trees are still blown over regardless of the economy And with the insurance companies funding the repairs your payment is virtually guaranteed But not just anyone can repair fire and water damaged buildings You need the knowledge and the equipment to get the job done right and that s what this book is all about From understanding fire repairs and smoke odors to restorative drying methods mold remediation and handling contents you ll not only learn how to provide top notch property and content restoration services but also how to become the person homeowners and insurance companies turn to first in an emergency putting yourself first in line for all the best jobs

Popular Mechanics ,1983-09 Popular Mechanics inspires instructs and influences readers to help them master the modern world Whether it s practical DIY home improvement tips gadgets and digital technology information on the newest cars or the latest breakthroughs in science PM is the ultimate guide to our high tech lifestyle [Industrial Education](#) ,1986

The Ultimate Bluegrass Mandolin Construction Manual Roger H. Siminoff,2004 Book The Ultimate Bluegrass Mandolin Construction Manual is the most complete step by step treatise ever written on building an acoustical string instrument Siminoff a renowned author and luthier applies over four decades of experience to guide beginners to pros through detailed chapters on wood selection cutting carving shaping assembly inlays fretting binding and assembly of an F style mandolin A special highlight is an in depth chapter on the art of tap tuning This fully illustrated manual boasts more than 250 photos a full color section on the staining and finishing processes numerous detailed illustrations and a bonus set of 20 full size blueprints Spiral bound *New Complete Do-it-yourself Manual* ,1991 Explains what tools to have in a home workshop how to repair and restore interiors exteriors furniture repair plumbing and many other common household repairs

Circuit-Bending Reed Ghazala,2005-08-26 Fans will get bent out of shape if they miss the first book to cover circuit bending bending for short the method by which an electronic toy or a device such as a keyboard is short circuited and modified to create an entirely different sound Written by the inventor of the technology this book covers the tools of the trade shows how to build a bending workshop and reveals secrets that will have readers of all levels making sweet music in no time Readers learn basic bends body contacts and other bending skills as well as ways to create bent instruments from a variety of popular toys and electronic devices Features some of the author s own unique creations

The Complete Guide to Crochet Dolls and Animals The Japan Amigurumi Association,2021-10-12 From selecting yarns and learning the basics of crochet to assembling your projects and adding whimsical details The Complete Guide to Crochet Dolls and Animals makes any amigurumi project possible Hundreds of photos demonstrate the best crochet stitches to use along with lessons on how to assemble amigurumi figures correctly and give them more personality All the basic stitches and steps are explained in detail including extra directions for left handed crafters This is the official guide created by The Japan Amigurumi Association whose thousands of members are found all over Japan the original home of amigurumi It provides an authoritative overview of techniques and includes all the information that amigurumi enthusiasts need to know to start creating This indispensable book shows you how to Shape and proportion expressive heads limbs and tails Assemble all the pieces together in a way that makes your toy come alive Add armatures so your toys can bend and stand on their own Create facial features that give your toy attitude and personality Make cute little accessories zakka like mittens scarves and purses The Complete Guide to Crochet Dolls and Animals includes 3 sample projects to practice the skills you learn With over 1 500 color photos and detailed diagrams instructing more than 100 crochet stitch techniques this is a reference you ll refer to again and again as you create and style your own amigurumi for years to come

Popular Science ,1993-07 Popular Science gives our readers the information and tools to improve their technology and their world The core belief that Popular Science and our readers share The future is going to be better and science and technology are the driving forces that will help make it better

Modern Cabinetmaking William D. Umstattd,Charles W. Davis,2005 Modern Cabinetmaking is a comprehensive text that covers cabinetmaking and woodworking techniques employed by custom cabinetmakers and home woodworkers Content follows the logical order of the design and construction process and is accompanied by numerous illustrations In addition to traditional materials and procedures the chapters discuss the advances in woodworking technology including manufactured panel products 32mm construction European hardware ready to assemble casework plate joinery and other innovative topics Step by step instructions illustrate tool usage and assembly procedures Kitchen cabinets and design alternatives are discussed in detail including the application of face frame and frameless construction

Popular Mechanics ,1992-01 Popular Mechanics inspires instructs and influences readers to help them master the modern world Whether it s practical DIY home improvement tips gadgets and digital technology information on the newest cars or the latest breakthroughs in

science PM is the ultimate guide to our high tech lifestyle **String Trimmer and Blower** Intertec Publishing Corporation,1992 Provides detailed information on how to operate maintain and repair string trimmers and blowers the following manufacturers of electric and gasoline powered string trimmers and blowers are covered Alpina Black specific repair instructions for string trimmer and blower gasoline engines are covered for the following manufacturers John Deere Echo Efcu Fuji Homelite Husqvarna IDC Kawasaki Kioritz Komatsu McCulloch Mitsubishi Piston Powered Products Poulan Sachs Dolmar Shindaiwa Stihl Tanaka TAS Tecumseh TML Trail Page 4 of cover **Popular Mechanics** ,2004-01 Popular Mechanics inspires instructs and influences readers to help them master the modern world Whether it s practical DIY home improvement tips gadgets and digital technology information on the newest cars or the latest breakthroughs in science PM is the ultimate guide to our high tech lifestyle *Australian Printer Magazine* ,1991 Massey Ferguson 35 Tractor Chris Jaworski,2020-03-17 A complete user friendly comprehensive guide for all aspects of the MF 35 and TO35 3 cylinder 4 cylinder and petrol TVO models Includes step by step instructions for weekly checks operator maintenance engines cooling and fuel systems transmissions brakes hydraulics and more Features over 650 photos to walk you through every process of restoration and maintenance Provides an insightful guide to buying with essential checks for assessment including identifying the originality Also includes helpful charts for service schedules torques data specs tool lists troubleshooting and more A Glossary of Archival and Records Terminology Richard Pearce-Moses,2005 Intended to provide the basic foundation for modern archival practice and theory Aliens 30th Anniversary Mark Verheiden,2016 In 1986 James Cameron s Aliens brought to theatres the horrors of a new kind of war against a terrifying enemy Two years later Dark Horse Comics released a direct follow up to the events in the film Years before any talk of a third Alien film the comics series took fandom by storm selling hundreds of thousands of copies Thirty years later Dark Horse is still a valued partner of 20th Century Fox and joins them in celebrating the anniversary of Aliens with the release of this oversize collection of the original comics series

benchmark montana road recreation atlas 3rd edition map - Jun 13 2023

web find many great new used options and get the best deals for benchmark montana road recreation atlas 3rd edition by national maps paperback 2016 at the best online

montana road recreation atlas by benchmark maps atlases - Apr 11 2023

web dec 31 2016 get free shipping on benchmark montana road recreation atlas 3rd edition by national geographic maps from wordery com montana is the crown jewel of

montana recreation map benchmark maps - Sep 23 2021

benchmark montana road recreation atlas 3rd edition by - Mar 30 2022

web download the benchmark montana road recreation atlas 3rd edition by national geographic maps join that we have the funding for here and check out the link in the

[benchmark montana road recreation atlas 3rd edition](#) - Jun 01 2022

web benchmark montana road recreation atlas 3rd edition by national geographic maps suspension to help power you through unfiving terrain it has a turbo ho 3 5l ecoboost

benchmark montana road recreation atlas 3rd edition by - May 12 2023

web experience big sky country with benchmark s completely new 3rd edition montana road recreation atlas no other map product can better portray montana s rugged peaks

benchmark maps montana road recreation atlas 5th edition - Apr 30 2022

web benchmark montana road recreation atlas 3rd edition by national geographic maps benchmark montana road recreation atlas 3rd edition by national geographic

benchmark montana road recreation atlas 3rd edition map - Dec 07 2022

web edition 2016 benchmark maps trade paperback new available copies 2 details isbn 0929591178 isbn 13 9780929591179 edition 3rd edition publisher

benchmark montana road recreation atlas 3rd edition - Mar 10 2023

web jun 15 2021 5th edition 2021 isbn 9781734315073 benchmark field checkers drove thousands of miles to make sure the montana road recreation atlas is the most

benchmark montana road recreation atlas 3rd edition by - Feb 26 2022

web includes back roads hidden lakes boat ramps hiking trails campgrounds public lands forests wetlands and more and the gazetteer sections feature page after page of

montana road recreation atlas by benchmark maps alibris - Nov 06 2022

web jan 3 2023 montana road recreation atlas by benchmark maps 2008 benchmark maps edition it looks like you re offline donate Čeština cs deutsch de english

[montana road recreation atlas benchmark maps](#) - Jul 14 2023

web buy benchmark montana road recreation atlas 3rd edition by maps national geographic online on amazon ae at best prices fast and free shipping free returns cash

benchmark montana road recreation atlas 3rd edition by - Jan 28 2022

web jul 2 2023 montana road amp recreation atlas benchmark benchmark acknowledgment for retrieving benchmark montana road recreation atlas 3rd

[benchmark montana road recreation atlas 3rd edition by](#) - Oct 25 2021

benchmark montana road recreation atlas 3rd edition - Jan 08 2023

web amazon in buy benchmark montana road recreation atlas 3rd edition book online at best prices in india on amazon in read benchmark montana road recreation

montana road recreation atlas 5th edition 2021 map - Jul 02 2022

web take the scenic route through the rugged peaks majestic rivers and expansive plains of big sky country with the 5th edition of benchmark maps montana road recreation

benchmark montana road recreation atlas 3rd edition - Aug 03 2022

web all major roads most drivable back roads are shown most classified by surface rivers lakes other important features gps grids are shown the recreation guides show

benchmark montana road recreation atlas 3rd edition by - Nov 25 2021

web the reverse side includes inset maps of the glacier national park area and statewide hunting zones units the recreation guide features categorized poi listings with

montana road and recreation atlas 5th edition 2021 - Feb 09 2023

web benchmark montana road recreation atlas 3rd edition maps national geographic amazon sg books

[montana road recreation atlas by benchmark maps open library](#) - Oct 05 2022

web buy benchmark montana road recreation atlas 3rd edition paperback used very good condition at walmart com

benchmarkmontanaroadrecreationatlas3rdeditio - Dec 27 2021

web benchmark montana road recreation atlas 3rd edition by national geographic maps benchmark montana road and recreation atlas scheels may 19th 2020 montana is

[montana road recreation atlas benchmark](#) - Aug 15 2023

web jan 1 2017 experience big sky country with benchmark s completely new 3rd edition montana road recreation atlas no other map product can better portray montana s

montana road recreation atlas benchmark - Sep 04 2022

web jul 4 2021 buy montana road recreation atlas 5th edition 2021 5th edition 2021 by benchmark maps isbn 9781734315073 from amazon s book store everyday low

abl90 flex plus blood gas analyzer radiometer america - Mar 18 2022

web you can add community subscriptions in the search bar that says subscribe to more communities

[radiometer abl90 flex 01 pdf manual manual hub com](#) - Oct 25 2022

web user manuals guides and specifications for your radiometer flex abl90 measuring instruments medical equipment database contains 2 radiometer flex abl90

radiometer abl90 flex community manuals and - Dec 27 2022

web radiometer abl90 flex 01 pdf manual home radiometer abl90 flex radiometer abl90 flex 01 pdf manual gen3 the flex 01 pdf manual ubiquiti usw flex 01 pdf manual

radiometer flex abl90 operator training manual - Apr 18 2022

web the abl90 flex plus analyser gives you reliable results in only 35 seconds on 19 parameters blood gas electrolytes metabolites and co oximetry from a syringe

radiometer abl90 flex manuals and documents medical - Jan 16 2022

radiometer handbooks and apps - Feb 26 2023

web radiometer abl90 flex community manuals and specifications labwrench radiometer abl90 flexnext generation cartridge based poc analyzers designed

radiometer abl90 flex community manuals and - Jun 20 2022

web may 30 2023 download radiometer flex abl90 manual total pages 36 for free in pdf find more compatible user manuals for your radiometer flex abl90

radiometer flex abl90 reference manual guidessimo com - May 20 2022

web apr 18 2018 the abl90 flex plus analyzer gives you reliable results in only 35 seconds on 17 parameters blood gas electrolytes metabolites and co oximetry from

radiometer abl800 flex operator s manual pdf - Nov 25 2022

web download reference manual of radiometer flex abl90 measuring instruments medical equipment for free or view it online on all guides com brand radiometer

radiometer abl90 flex flex operator s manual pdf - Mar 30 2023

web the abl90 flex delivers test results in just 35 seconds on 17 vital parameters all from one blood sample of only 65 µl with a high uptime of more than 23 5 hours per day and

radiometer flex abl90 manuals manualslib - Aug 03 2023

web designed specifically for demanding hospital wards like the icu the nicu and the ed the abl90 flex analyser is quickly ready for the next sample in just 35 seconds our

blood gas analyser abl90 flex plus radiometer - Feb 14 2022

abl90 flex operator s manual manualzz - Jun 01 2023

web radiometer abl90 flex flex operator s manual pdf medwrench home all categories laboratory blood gas ph analyzer radiometer abl90 flex

abl90 flex royal united hospital - Apr 30 2023

web handbooks and apps get the acute care testing handbook download the free guide on blood gases and other critical parameters in acute care testing download now guiding

[radiometer abl90 flex reference manual](#) - Oct 05 2023

web view and download radiometer abl90 flex reference manual online abl90 flex measuring instruments pdf manual download

radiometer abl90 flex reference manual all guides - Jul 22 2022

web jul 28 2023 specifications 1707 1707100 abl90 flex pdf file 28 jul 2023 manufacturer radiometer category of device measuring instruments medical equipment

radiometer flex abl90 manuals user guides - Aug 23 2022

web documents manuals view all radiometer abl90 flex operator s manual radiometer abl90 flex p blood gas analyzer for point of care testing p

abl90 flex reference manual s a le - Sep 04 2023

web note to the users of the abl90 flex analyzer this note to users outlines the most significant changes and improvements of software version 2 4 in the english version of

radiometer abl90 flex reference manual all guides - Sep 23 2022

web view online reference manual for radiometer flex abl90 medical equipment or simply click download button to examine the radiometer flex abl90 guidelines

blood gas analyzer abl90 flex radiometer - Jan 28 2023

web view and download radiometer abl800 flex operator s manual online abl800 flex measuring instruments pdf manual download

blood gas analyser abl90 flex radiometer - Jul 02 2023

web contents abl90 flex i n s t r u c t i o n s f o r u s e ii 996 174k 4 replacements and maintenance to do a radiometer ampoule based qc measurement from the

perche i giovani musulmani europei aderiscono all 2022 - Aug 03 2022

web perche i giovani musulmani europei aderiscono all islam europeo oasis n 24 tra immigrazione e islam l europa si ripensa perchè i giovani musulmani europei

perche i giovani musulmani europei aderiscono all download - Jul 14 2023

web perche i giovani musulmani europei aderiscono all anno 2022 l accoglienza diciottesima parte musulmani d occidente oasis n 24 tra immigrazione e islam

perche i giovani musulmani europei aderiscono all albert f - Mar 30 2022

web perche i giovani musulmani europei aderiscono all as one of the most working sellers here will categorically be along with the best options to review mortalium animos

perche i giovani musulmani europei aderiscono all pdf - Dec 27 2021

web this perche i giovani musulmani europei aderiscono all but stop taking place in harmful downloads rather than enjoying a good book following a cup of coffee in the afternoon

perche i giovani musulmani europei aderiscono all - Mar 10 2023

web 1 perche i giovani musulmani europei aderiscono all l idea di occidente tra 800 e 900 perché l europa come muore una civiltà e come sta morendo la nostra musulmani

perche i giovani musulmani europei aderiscono all download - Dec 07 2022

web l alleanza con i musulmani europei di seconda e terza generazione può diventare un arma vincente contro il terrorismo e che la tolleranza il confronto positivo fra culture la

perché i giovani musulmani europei aderiscono alla - Aug 15 2023

web perché i giovani musulmani europei aderiscono alla radicalizzazione islamica by federica fracassa musulmani d italia scendono in piazza stato islamico perché i giovani musulmani europei aderiscono alla mussulmani seconda generazione italia

giovani musulmani in italia un integrazione possibile - Nov 06 2022

web oct 26 2011 digianfranco fini mercoledì 26 ottobre 2011 12 26 stampa illustrazione alessandro sanna per vincere la sfida dell integrazione l italia deve superare i modelli

perche i giovani musulmani europei aderiscono all pdf - Nov 25 2021

web jul 3 2023 perche i giovani musulmani europei aderiscono all 2 9 downloaded from uniport edu ng on july 3 2023 by guest populisti e neo autoritari su entrambe le sponde

giovani musulmani wikipedia - Sep 04 2022

web i giovani musulmani sazman i jawanan i musulman furono un gruppo fondamentalista clandestino fondato nel 1969 storia l organizzazione è stata fondata nel 1969 a kabul

giovani musulmani d italia islam è incontro piuculture - Oct 05 2022

web jul 19 2012 gmi italiani musulmani giovani musulmani d italia è un associazione di promozione giovanile fondata nel settembre del 2001 da un gruppo di giovani

perché i giovani musulmani europei aderiscono alla - Jan 08 2023

web perché i giovani musulmani europei aderiscono alla radicalizzazione islamica una domanda quanto mai attuale in un momento storico che vede acutizzarsi lo scontro tra

perche i giovani musulmani europei aderiscono all 2022 - Feb 09 2023

web perche i giovani musulmani europei aderiscono all appartenenze multiple transnazionalismo cittadinanza anno 2022 l accoglienza diciottesima parte

perche i giovani musulmani europei aderiscono all phil - May 12 2023

web i giovani musulmani europei aderiscono all as a consequence it is not directly done you could say you will even more in relation to this life on the order of the world we

giovani musulmani argomenti la repubblica - Jun 01 2022

web dec 25 2018 lodi prova del velo a due passi dal duomo l open day dei giovani musulmani finisce in regione la giornata di cultura islamica organizzata dai ragazzi

perche i giovani musulmani europei aderiscono all - Oct 25 2021

web perche i giovani musulmani europei aderiscono all is available in our digital library an online access to it is set as public so you can download it instantly our book servers

perche i giovani musulmani europei aderiscono all pdf - Jan 28 2022

web may 8 2023 perche i giovani musulmani europei aderiscono all 2 8 downloaded from uniport edu ng on may 8 2023 by guest ethnic monitoring and data protection andrea

perché i giovani musulmani europei aderiscono alla - Jun 13 2023

web perché i giovani musulmani europei aderiscono alla radicalizzazione islamica by federica fracassa radicalizzazione una parola alla moda che identifica i l islam politico

perché i giovani musulmani europei aderiscono alla overdrive - Apr 11 2023

web oct 9 2017 una domanda quanto mai attuale in un momento storico che vede acutizzarsi lo scontro tra un occidente globalizzato abitato da un numero sempre maggiore di

perche i giovani musulmani europei aderiscono all pdf - Jul 02 2022

web jun 20 2023 perche i giovani musulmani europei aderiscono all as recognized adventure as capably as experience just about lesson amusement as capably as

perche i giovani musulmani europei aderiscono all copy - Feb 26 2022

web jul 4 2023 giovani musulmani europei aderiscono all what you when to read immigration and terrorism janice l kephart 2005 this report covers the immigration

perche i giovani musulmani europei aderiscono all pdf ci kubesail - Sep 23 2021

web perche i giovani musulmani europei aderiscono all l idea di occidente tra 800 e 900 giovani musulmani in europa la famiglia in una società multietnica perchè i giovani

free perche i giovani musulmani europei aderiscono all - Apr 30 2022

web perche i giovani musulmani europei aderiscono all right here we have countless book perche i giovani musulmani europei aderiscono all and collections to check out we

The Top Books of the Year Ryobi Repair Manuals The year 2023 has witnessed a remarkable surge in literary brilliance, with numerous captivating novels enthralling the hearts of readers worldwide. Lets delve into the realm of popular books, exploring the fascinating narratives that have captivated audiences this year. Ryobi Repair Manuals : Colleen Hoovers "It Ends with Us" This poignant tale of love, loss, and resilience has captivated readers with its raw and emotional exploration of domestic abuse. Hoover skillfully weaves a story of hope and healing, reminding us that even in the darkest of times, the human spirit can triumph. Ryobi Repair Manuals : Taylor Jenkins Reids "The Seven Husbands of Evelyn Hugo" This intriguing historical fiction novel unravels the life of Evelyn Hugo, a Hollywood icon who defies expectations and societal norms to pursue her dreams. Reids absorbing storytelling and compelling characters transport readers to a bygone era, immersing them in a world of glamour, ambition, and self-discovery. Ryobi Repair Manuals : Delia Owens "Where the Crawdads Sing" This evocative coming-of-age story follows Kya Clark, a young woman who grows up alone in the marshes of North Carolina. Owens crafts a tale of resilience, survival, and the transformative power of nature, entrancing readers with its evocative prose and mesmerizing setting. These bestselling novels represent just a fraction of the literary treasures that have emerged in 2023. Whether you seek tales of romance, adventure, or personal growth, the world of literature offers an abundance of engaging stories waiting to be discovered. The novel begins with Richard Papen, a bright but troubled young man, arriving at Hampden College. Richard is immediately drawn to the group of students who call themselves the Classics Club. The club is led by Henry Winter, a brilliant and charismatic young man. Henry is obsessed with Greek mythology and philosophy, and he quickly draws Richard into his world. The other members of the Classics Club are equally as fascinating. Bunny Corcoran is a wealthy and spoiled young man who is always looking for a good time. Charles Tavis is a quiet and reserved young man who is deeply in love with Henry. Camilla Macaulay is a beautiful and intelligent young woman who is drawn to the power and danger of the Classics Club. The students are all deeply in love with Morrow, and they are willing to do anything to please him. Morrow is a complex and mysterious figure, and he seems to be manipulating the students for his own purposes. As the students become more involved with Morrow, they begin to commit increasingly dangerous acts. The Secret History is a masterful and gripping novel that will keep you wondering until the very end. The novel is a cautionary tale about the dangers of obsession and the power of evil.

https://offsite.creighton.edu/files/virtual-library/Documents/frys_sight_word_list.pdf

https://offsite.creighton.edu/files/virtual-library/Documents/fundamentals_of_nursing_study_guide.pdf

Table of Contents Ryobi Repair Manuals

1. Understanding the eBook Ryobi Repair Manuals
 - The Rise of Digital Reading Ryobi Repair Manuals
 - Advantages of eBooks Over Traditional Books
2. Identifying Ryobi Repair Manuals
 - Exploring Different Genres
 - Considering Fiction vs. Non-Fiction
 - Determining Your Reading Goals
3. Choosing the Right eBook Platform
 - Popular eBook Platforms
 - Features to Look for in an Ryobi Repair Manuals
 - User-Friendly Interface
4. Exploring eBook Recommendations from Ryobi Repair Manuals
 - Personalized Recommendations
 - Ryobi Repair Manuals User Reviews and Ratings
 - Ryobi Repair Manuals and Bestseller Lists
5. Accessing Ryobi Repair Manuals Free and Paid eBooks
 - Ryobi Repair Manuals Public Domain eBooks
 - Ryobi Repair Manuals eBook Subscription Services
 - Ryobi Repair Manuals Budget-Friendly Options
6. Navigating Ryobi Repair Manuals eBook Formats
 - ePub, PDF, MOBI, and More
 - Ryobi Repair Manuals Compatibility with Devices
 - Ryobi Repair Manuals Enhanced eBook Features
7. Enhancing Your Reading Experience

- Adjustable Fonts and Text Sizes of Ryobi Repair Manuals
- Highlighting and Note-Taking Ryobi Repair Manuals
- Interactive Elements Ryobi Repair Manuals
- 8. Staying Engaged with Ryobi Repair Manuals
 - Joining Online Reading Communities
 - Participating in Virtual Book Clubs
 - Following Authors and Publishers Ryobi Repair Manuals
- 9. Balancing eBooks and Physical Books Ryobi Repair Manuals
 - Benefits of a Digital Library
 - Creating a Diverse Reading Collection Ryobi Repair Manuals
- 10. Overcoming Reading Challenges
 - Dealing with Digital Eye Strain
 - Minimizing Distractions
 - Managing Screen Time
- 11. Cultivating a Reading Routine Ryobi Repair Manuals
 - Setting Reading Goals Ryobi Repair Manuals
 - Carving Out Dedicated Reading Time
- 12. Sourcing Reliable Information of Ryobi Repair Manuals
 - Fact-Checking eBook Content of Ryobi Repair Manuals
 - Distinguishing Credible Sources
- 13. Promoting Lifelong Learning
 - Utilizing eBooks for Skill Development
 - Exploring Educational eBooks
- 14. Embracing eBook Trends
 - Integration of Multimedia Elements
 - Interactive and Gamified eBooks

Ryobi Repair Manuals Introduction

In this digital age, the convenience of accessing information at our fingertips has become a necessity. Whether its research papers, eBooks, or user manuals, PDF files have become the preferred format for sharing and reading documents. However,

the cost associated with purchasing PDF files can sometimes be a barrier for many individuals and organizations. Thankfully, there are numerous websites and platforms that allow users to download free PDF files legally. In this article, we will explore some of the best platforms to download free PDFs. One of the most popular platforms to download free PDF files is Project Gutenberg. This online library offers over 60,000 free eBooks that are in the public domain. From classic literature to historical documents, Project Gutenberg provides a wide range of PDF files that can be downloaded and enjoyed on various devices. The website is user-friendly and allows users to search for specific titles or browse through different categories. Another reliable platform for downloading Ryobi Repair Manuals free PDF files is Open Library. With its vast collection of over 1 million eBooks, Open Library has something for every reader. The website offers a seamless experience by providing options to borrow or download PDF files. Users simply need to create a free account to access this treasure trove of knowledge. Open Library also allows users to contribute by uploading and sharing their own PDF files, making it a collaborative platform for book enthusiasts. For those interested in academic resources, there are websites dedicated to providing free PDFs of research papers and scientific articles. One such website is Academia.edu, which allows researchers and scholars to share their work with a global audience. Users can download PDF files of research papers, theses, and dissertations covering a wide range of subjects. Academia.edu also provides a platform for discussions and networking within the academic community. When it comes to downloading Ryobi Repair Manuals free PDF files of magazines, brochures, and catalogs, Issuu is a popular choice. This digital publishing platform hosts a vast collection of publications from around the world. Users can search for specific titles or explore various categories and genres. Issuu offers a seamless reading experience with its user-friendly interface and allows users to download PDF files for offline reading. Apart from dedicated platforms, search engines also play a crucial role in finding free PDF files. Google, for instance, has an advanced search feature that allows users to filter results by file type. By specifying the file type as "PDF," users can find websites that offer free PDF downloads on a specific topic. While downloading Ryobi Repair Manuals free PDF files is convenient, it's important to note that copyright laws must be respected. Always ensure that the PDF files you download are legally available for free. Many authors and publishers voluntarily provide free PDF versions of their work, but it's essential to be cautious and verify the authenticity of the source before downloading Ryobi Repair Manuals. In conclusion, the internet offers numerous platforms and websites that allow users to download free PDF files legally. Whether it's classic literature, research papers, or magazines, there is something for everyone. The platforms mentioned in this article, such as Project Gutenberg, Open Library, Academia.edu, and Issuu, provide access to a vast collection of PDF files. However, users should always be cautious and verify the legality of the source before downloading Ryobi Repair Manuals any PDF files. With these platforms, the world of PDF downloads is just a click away.

FAQs About Ryobi Repair Manuals Books

What is a Ryobi Repair Manuals PDF? A PDF (Portable Document Format) is a file format developed by Adobe that preserves the layout and formatting of a document, regardless of the software, hardware, or operating system used to view or print it. **How do I create a Ryobi Repair Manuals PDF?** There are several ways to create a PDF: Use software like Adobe Acrobat, Microsoft Word, or Google Docs, which often have built-in PDF creation tools. Print to PDF: Many applications and operating systems have a "Print to PDF" option that allows you to save a document as a PDF file instead of printing it on paper. Online converters: There are various online tools that can convert different file types to PDF. **How do I edit a Ryobi Repair Manuals PDF?** Editing a PDF can be done with software like Adobe Acrobat, which allows direct editing of text, images, and other elements within the PDF. Some free tools, like PDFescape or Smallpdf, also offer basic editing capabilities. **How do I convert a Ryobi Repair Manuals PDF to another file format?** There are multiple ways to convert a PDF to another format: Use online converters like Smallpdf, Zamzar, or Adobe Acrobat's export feature to convert PDFs to formats like Word, Excel, JPEG, etc. Software like Adobe Acrobat, Microsoft Word, or other PDF editors may have options to export or save PDFs in different formats. **How do I password-protect a Ryobi Repair Manuals PDF?** Most PDF editing software allows you to add password protection. In Adobe Acrobat, for instance, you can go to "File" -> "Properties" -> "Security" to set a password to restrict access or editing capabilities. Are there any free alternatives to Adobe Acrobat for working with PDFs? Yes, there are many free alternatives for working with PDFs, such as: LibreOffice: Offers PDF editing features. PDFsam: Allows splitting, merging, and editing PDFs. Foxit Reader: Provides basic PDF viewing and editing capabilities. How do I compress a PDF file? You can use online tools like Smallpdf, ILovePDF, or desktop software like Adobe Acrobat to compress PDF files without significant quality loss. Compression reduces the file size, making it easier to share and download. Can I fill out forms in a PDF file? Yes, most PDF viewers/editors like Adobe Acrobat, Preview (on Mac), or various online tools allow you to fill out forms in PDF files by selecting text fields and entering information. Are there any restrictions when working with PDFs? Some PDFs might have restrictions set by their creator, such as password protection, editing restrictions, or print restrictions. Breaking these restrictions might require specific software or tools, which may or may not be legal depending on the circumstances and local laws.

Find Ryobi Repair Manuals :

fry's sight word list

fundamentals of nursing study guide

~~fundamentally prosperity lle~~

ftce k 6 study guide

freak the mighty novel study

fun activities for cosmetology students

fulton books author portal

fundamentals of engineering practice exam

free online music composition course

free online drivers ed virginia

from blood and ash movie 2022

from the mixed up files audiobook

free self employment ledger pdf

ftce professional education test sample questions

frame by frame animation website

Ryobi Repair Manuals :