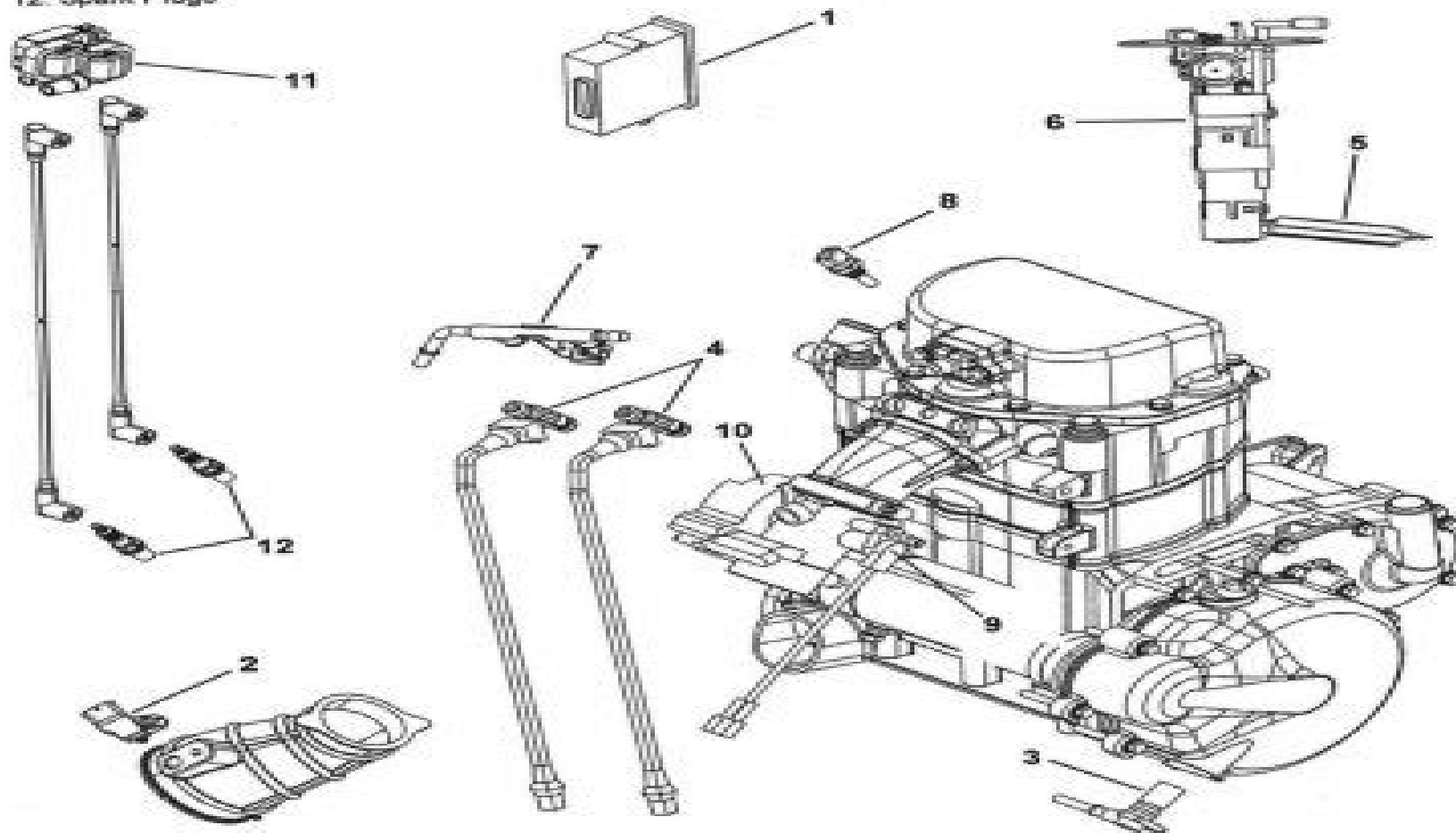


# ELECTRONIC FUEL INJECTION

## EFI System Exploded View

1. Electronic Control Unit (ECU)
2. Intake Air Temperature / Manifold Air Pressure Sensor (T-BAP)
3. Crankshaft Position Sensor (CPS)
4. Fuel Injectors
5. Fuel Filter
6. Fuel Pump / Regulator / Gauge Sender Asm. (Located in tank as an assembly)
7. Fuel Rail
8. Engine Coolant Sensor (ECT)
9. Throttle Position Sensor (TPS)
10. Throttle Body
11. Ignition Coil
12. Spark Plugs



# **Owners Manual For 2008 Polaris Ranger**

**Dennison Berwick**



# Owners Manual For 2008 Polaris Ranger

*Clymer Polaris Ranger 800, 2010-2014* Haynes Publishing,2017-10-25 The Clymer Polaris Ranger 800 2010 2014 Repair Manual features complete maintenance and repair information for the Polaris RZR 800 built during model years 2008 2014 More than 700 Photos guide the reader through every job Where possible tools developed by the writers during the disassembly and reassembly of the machine are described in the text to save the reader from spending hundreds of dollars on factory tools Each manual features quick reference data plus chapters on Troubleshooting Lubrication maintenance and tune up Engine top end Engine lower end Clutch and drivebelt system Transmission Engine management system Electrical system Cooling system Wheels hubs and tires Front suspension steering and front gearcase Rear suspension and rear gearcase Brakes Body Wiring diagrams

**Polaris Sportsman 600, 700, & 800 Series 2002-2010** Penton Staff,2000-05-24 Sportsman 600 2003 2005 Sportsman 700 2002 2006 Sportsman 700 EFI 2004 2007 Sportsman 700 EFI X2 2008 Sportsman MV7 2005 2006 Sportsman 800 EFI 2005 2010 Sportsman 800 EFI X2 2007 2009 Sportsman 800 EFI Touring 2008 2009

Polaris Sportsman 400, 450 & 500 1996-2013 Manual Penton Staff,2000-05-24 Sportman 400 2001 2005 Sportsman 450 2006 2007 Sportsman 450 Browning Edition 2006 Sportsman 500 1996 2010 Sportsman 500 RSE 2000 2002 Sportsman 500 DUSE 2001 2002 Sportsman 500 HO 2001 2006 2008 2010 Sportsman 500 X2 2006 2010 Sp

**Motorcycle Workshop Practice Techbook** John Haynes,2016-10-03 Haynes has discovered all the problems that motorcycle owners could possibly encounter when rebuilding or repairing their bikes Documenting the most common DIY fixes with hundreds of illustrations and step by step instructions this compendium of repair modification and troubleshooting advice is applicable to all domestic and import marques

**Marine Diesel Basics 1** Dennison Berwick,2017-05-11 Seeing is Understanding The first VISUAL guide to marine diesel systems on recreational boats Step by step instructions in clear simple drawings explain how to maintain winterize and recommission all parts of the system fuel deck fill engine batteries transmission stern gland propeller Book one of a new series Canadian author is a sailor and marine mechanic cruising aboard his 36 foot steel hulled Chevrier sloop Illustrations 300 drawings Pages 222 pages Published 2017 Format softcover Category Inboards Gas Diesel

Chevrolet Camaro Pontiac Firebird John Haynes,2001-03-24 Haynes offers the best coverage for cars trucks vans SUVs and motorcycles on the market today Each manual contains easy to follow step by step instructions linked to hundreds of photographs and illustrations Included in every manual troubleshooting section to help identify specific problems tips that give valuable short cuts to make the job easier and eliminate the need for special tools notes cautions and warnings for the home mechanic color spark plug diagnosis and an easy to use index This repair manual covers Chevrolet Camaro and Pontiac Firebird all models 1993 thru 2002

**Combat at Close Quarters** Edward J. Marolda,R. Blake Dunnavent,Naval History & Heritage Command (U S ),Navy Dept (U S ),2015 This work describes riverine combat during the Vietnam War emphasizing

the operations of the U S Navy s River Patrol Force which conducted Operation Game Warden the U S Army Navy Mobile Riverine Force the formation that General William Westmoreland said saved the Mekong Delta during the Tet Offensive of 1968 and the Vietnam Navy An important section details the SEALORDS combined campaign a determined effort by U S Navy South Vietnamese Navy and allied ground forces to cut enemy supply lines from Cambodia and disrupt operations at base areas deep in the delta The author also covers details on the combat vessels helicopters weapons and equipment employed in the Mekong Delta as well as the Vietnamese combatants on both sides and American troops who fought to secure Vietnam s waterways Special features focus on the ubiquitous river patrol boats PBRs and the Swift boats PCFs river warfare training Vice Admiral Elmo R Zumwalt Jr the Black Ponies aircraft squadron and Navy SEALs This publication may be of interest to history scholars veterans students in advanced placement history classes and military enthusiasts given the continuing impact of riverine warfare on U S naval and military operations in the 21st century Special Publicity Tie In Commemoration of the 50th anniversary of the Vietnam War Commemoration dates 28 May 2012 11 November 2025 This is the fifth book in the series The U S Navy and the Vietnam War TABLE OF CONTENTS Introduction The First Indochina War The Vietnam Navy River Force and American Advisors The U S Navy and the Rivers of Vietnam SEALORDS The End of the Line for U S and Vietnamese River Forces Sidebars The PBR Riverine Warfare Training Battle Fleet of the Mekong Delta High Drama in the Delta Vice Admiral Elmo R Zumwalt Jr Black Ponies The Swift Boat Warriors with Green Faces Suggested Reading

**Chilton Chrysler Service Manual, 2010 Edition (2 Volume Set)** Chilton, Chilton Book Company, 2010-01-05 The Chilton 2010 Chrysler Service Manuals now include even better graphics and expanded procedures Chilton s editors have put together the most current automotive repair information available to assist users during daily repairs This new two volume manual set allows users to accurately and efficiently diagnose and repair late model cars and trucks Trust the step by step procedures and helpful illustrations that only Chilton can provide These manuals cover 2008 and 2009 models plus available 2010 models

*Defending Air Bases in an Age of Insurgency* Shannon Caudill, Air University Press, 2014-08 This anthology discusses the converging operational issues of air base defense and counterinsurgency It explores the diverse challenges associated with defending air assets and joint personnel in a counterinsurgency environment The authors are primarily Air Force officers from security forces intelligence and the office of special investigations but works are included from a US Air Force pilot and a Canadian air force officer The authors examine lessons from Vietnam Iraq Afghanistan and other conflicts as they relate to securing air bases and sustaining air operations in a high threat counterinsurgency environment The essays review the capabilities doctrine tactics and training needed in base defense operations and recommend ways in which to build a strong synchronized ground defense partnership with joint and combined forces The authors offer recommendations on the development of combat leaders with the depth of knowledge tactical and operational skill sets and counterinsurgency mind set necessary to be effective in the modern asymmetric battlefield

**Ford Ranger**

**Pick-ups 1993 thru 2011** Editors of Haynes Manuals,2013-06-15 With a Haynes manual you can do it yourself from simple maintenance to basic repairs Haynes writes every book based on a complete teardown of the vehicle We learn the best ways to do a job and that makes it quicker easier and cheaper for you Our books have clear instructions and hundreds of photographs that show each step Whether you re a beginner or a pro you can save big with Haynes Step by step procedures Easy to follow photos Complete troubleshooting section Valuable short cuts Color spark plug diagnosis Complete coverage for your Ford Ranger Mazda Pick up covering all Ford Ranger models for 1993 thru 2011 Mazda B2300 B2500 B3000 B4000 for 1994 thru 2008 Routine Maintenance Tune up procedures Engine repair Cooling and heating Air Conditioning Fuel and exhaust Emissions control Ignition Brakes Suspension and steering Electrical systems Wiring diagrams U.S. Government Printing Office Style Manual Gpo Style Board,Robert C. Tapella,2010-09-01 This the 30th edition of the United States Government Printing Office Style Manual is the first revision to this authoritative style manual since 2002 The GPO Style Manual as it is popularly known is issued under the authority of section 1105 of Title 44 U S C which requires the Public Printer as head of the GPO to determine the form and style in which the printing ordered by a department is executed having proper regard to economy workmanship and the purposes for which the work is needed The Manual is prepared by the GPO Style Board composed of proofreading printing and Government documents specialists from within GPO where all congressional publications and many other key Federal Government documents are prepared The first GPO Style Manual appeared in 1894 It was developed originally as a printer s stylebook to standardize word and type treatment and remains so today Through successive editions however the GPO Style Manual has come to be widely recognized by writers and editors both within and outside the Federal Government as one of the most useful resources in the editorial arsenal This new revised version of the GPO Style Manual has been thoroughly redesigned to make it more modern and easier to read and the content has been updated generally throughout in keeping with current usage *VanGuard of Valor Volume Ii* Combat Studies Institute Press,2012-09-01 From the foreword The present volume Vanguard of Valor II offers six accounts of US Soldiers at the tip of the spear during the Afghan campaign The Combat Studies Institute s Vanguard of Valor series is intended to document small unit actions in Afghanistan These books play an equally important role by offering insights to Soldiers who may find themselves in the years ahead under similar conditions whether in Afghanistan or in some other troubled land where they have been deployed to conduct the dangerous business of defending the national interest in a theater of war

*Canada's Relationship with Inuit* Sarah Bonesteel,2008 Inuit have lived in Canada s north since time immemorial The Canadian government s administration of Inuit affairs however has been generally shorter and is less well understood than the federal government s relations with First Nations and Metis We hope to correct some of this knowledge imbalance by providing an overview of the federal government s Inuit policy and program development from first contact to 2006 Topics that are covered by this book include the 1939 Re Eskimo decision that gave Canada constitutional responsibility for Inuit

post World War II acculturation and defence projects law and justice sovereignty and relocations the E number identification system Inuit political organizations comprehensive claim agreements housing healthcare education economic development self government the environment and urban issues In order to develop meaningful forward looking policy it is essential to understand what has come before and how we got to where we are We believe that this book will be a valuable contribution to a growing body of knowledge about Canada Inuit relations and will be an indispensable resource to all students of federal Inuit and northern policy development

**The Environmental Crime Crisis** C. Nellemann, Rune Henriksen, Patricia Raxter, Neville Ash, Elizabeth Mrema, 2014 Wildlife trafficking Forest crime Role of wood and illegal wildlife trade for threat finance

*Harlan Ellison's 7 Against Chaos* Harlan Ellison, 2014-07-08 Harlan Ellison science fiction s brightest luminary has joined forces with multi award winning artist Paul Chadwick creator of the incomparable Concrete to bring you SEVEN AGAINST CHAOS a graphic novel that is singular powerful and unpredictable This extraordinary odyssey of mystery and adventure will take you to the rim of reality and beyond In a distant future Earth is in grave danger The fabric of reality itself in unraveling leading to catastrophic natural disasters displaced souls appearing from bygone eras and sudden shocking cases of spontaneous combustion The only hope for Earth s survival is a force of seven warriors each with his or her special abilities But can these alien Seven Samurai learn to get along in time to find the source of the gathering chaos and save all of reality

[Bibliographic Formats and Standards](#) OCLC., 1993 Describes the manual Bibliographic Formats and Standards 2nd ed a revised guide to machine readable cataloging records in the WorldCat Describes conventions Describes and provides an example of input standards tables Addresses revisions of the manual as well as ordering and distribution Includes acknowledgements Provides a link to the table of contents

**Chilton's General Motors Full Size Trucks** Thomas A. Mellon, 1996 Covers all U S and Canadian models of Chevrolet GMC pick ups Sierra Blazer Tahoe Yukon and Suburban 2 and 4 wheel drive gasoline and diesel engines Cover

**Field & Stream** , 2008-09 FIELD STREAM America s largest outdoor sports magazine celebrates the outdoor experience with great stories compelling photography and sound advice while honoring the traditions hunters and fishermen have passed down for generations

**Mergent International Manual** , 2009

[California Farmer](#) , 2008

*geometry all content khan academy* - Jul 18 2023

web unit 1 lines line segments and rays measuring segments parallel and perpendicular points lines planes geometric definitions the golden ratio unit 2 angles angle introduction measuring angles constructing angles angles in circles

**accelerated coordinate algebra geometry practice test copy** - Apr 03 2022

web the 100 series pre algebra offers in depth practice and review for challenging middle school math topics such as ratios and proportions rational numbers and expressions and equations common core state standards have raised expectations for

math learning and many students in grades

**coordinates practice questions corbettmaths** - May 16 2023

web aug 28 2019 the corbettmaths practice questions on coordinates videos worksheets 5 a day and much more

[download free accelerated coordinate algebra geometry practice test](#) - Feb 13 2023

web accelerated coordinate algebra geometry practice test practice the asset feb 12 2021 asset practice test questions prepared by our dedicated team of exam experts everything you need to pass the asset test 2 sets of asset practice test questions including reading comprehension

**accelerated coordinate algebra geometry practice test** - Aug 19 2023

web accelerated coordinate algebra geometry practice test instant math practice grade 6 feb 10 2023 this series offers a quick and easy way to supplement your math curriculum to meet common core standards over 120 practice pages cover the key areas number and operations algebra geometry measurement and data and problem solving

**coordinate geometry in mathematics chapter exam study com** - Jun 17 2023

web test prep courses texes core subjects ec 6 mathematics subtest 902 prep course coordinate geometry in mathematics chapter coordinate geometry in mathematics chapter exam free practice test

**aptitude coordinate geometry online test online tutorials** - Jan 12 2023

web you will be presented multiple choice questions mcqs based on coordinate geometry concepts where you will be given four options you will select the best suitable answer for the question and then proceed to the next question without wasting given time you will get your online test score after finishing the complete test total questions

**accelerated coordinate algebra geometry practice test pdf** - Mar 14 2023

web jun 18 2023 and install the accelerated coordinate algebra geometry practice test pdf it is unquestionably easy then before currently we extend the belong to to buy and create bargains to download and install accelerated coordinate algebra geometry practice test pdf in view of that simple college algebra jay abramson 2018 01 07

**accelerated coordinate algebra geometry practice test book** - Dec 11 2022

web invaluable advice and practice questions for the exam includes examiner's tips and reveals how to achieve higher marks college algebra jay abramson 2018 01 07 college algebra provides a comprehensive exploration of algebraic principles and meets scope and sequence requirements for a typical introductory algebra course the modular approach

**accelerated coordinate algebra geometry practice test** - Jun 05 2022

web pre calculus with online practice numerical geometry of non rigid shapes mathematics for machine learning the high school doctor oat 2017 2018 strategies practice review with 2 practice tests act math science prep college algebra physics for scientists and engineers open middle math mcgraw hill s 10 act practice tests

**high school geometry khan academy** - Sep 20 2023

web distance and midpoints analytic geometry dividing line segments analytic geometry problem solving with distance on the coordinate plane analytic geometry parallel perpendicular lines on the coordinate plane analytic geometry equations of parallel perpendicular lines analytic geometry

**accelerated coordinate algebra geometry practice test download** - Jul 06 2022

web watch video lessons complete quizzes and take practice tests that are optimized for your mobile device essential practice more than 1 000 realistic practice questions with explanations four full length asvab practice tests with detailed explanations 1 online and 3 in the book detailed subject review including targeted

[accelerated coordinate algebra geometry practice test pdf](#) - Aug 07 2022

web mar 2 2023 accelerated coordinate algebra geometry practice test 2 9 downloaded from uniport edu ng on march 2 2023 by guest spread and separated from each other as a consequence even presently there is no comprehensive overview of the sciences of learning or the central theoretical concepts and vocabulary on which researchers rely

**accelerated coordinate algebra geometry practice test full pdf** - May 04 2022

web passing the ccgps coordinate algebra end of course test a five year study of the first edition of the core plus mathematics curriculum reet level ii exam 2022 class a complete study guide to geometry with online practice official gre quantitative reasoning practice questions asvab prep 2022 2023 physics for scientists and

[advanced coordinate geometry videos lessons study com](#) - Apr 15 2023

web review advanced coordinate geometry to prepare for the sat subject test math 2 make use of our video lessons with quizzes to study parabolas this exam has been discontinued

[accelerated coordinate algebra geometry practice test copy](#) - Mar 02 2022

web four full length practice tests over 1 000 practice questions with explanations online tools and targeted strategies college algebra trigonometry and analytic geometry routledge as a parent have you wondered why your child gets good grades in school but doesn't do well on the sat or act test as a student

**accelerated coordinate algebra geometry practice test pdf** - Oct 09 2022

web major topics covered include algebraic methods functions and their graphs complex numbers polynomial and rational functions exponential and logarithmic functions trigonometry and polar coordinates counting and probability binomial

[accelerated coordinate algebra geometry practice test pdf](#) - Nov 10 2022

web jun 21 2023 getting this info get the accelerated coordinate algebra geometry practice test partner that we pay for here and check out the link you could buy lead accelerated coordinate algebra geometry practice test or acquire it as soon as feasible you could speedily download this accelerated coordinate algebra geometry practice test after



[accelerated coordinate algebra geometry practice test 2022](#) - Oct 21 2023

web 2 accelerated coordinate algebra geometry practice test 2022 09 29 grade math algebra i geometry i algebra ii math analysis calculus as well as california high school exit exam cahsee prep classes avid elective 9th 10th grade and carnegie computer classes max s authoring topics include math education and religion

**accelerated coordinate algebra geometry practice test pdf** - Sep 08 2022

web practice exercises each chapter ends with practice exercises designed to reinforce and extend key skills and concepts these checkup exercises along with the answers and solutions will help you assess your understanding and monitor your progress

[watch dermaphoria for free on gomovies](#) - May 29 2022

web eric ashworth joseph morgan wakes up in jail accused of arson and incapable of piecing together the reasons for his being there eric then is unexpectedly released on bail determined to find his missing girlfriend genre crime drama thriller actor joseph morgan walton goggins nicole badaan

[how to watch and stream dermaphoria 2015 on roku](#) - Jun 29 2022

web requires subscription dermaphoria a thriller movie starring joseph morgan nicole badaan and walton goggins is available to stream now watch it on the roku channel pluto tv it s free tv freevee vudu or prime video on your roku device

[dermaphoria by craig clevenger goodreads](#) - Sep 13 2023

web 3 136 ratings 214 reviews bailed out of jail and holed up in a low rent motel amnesiac eric ashworth s only memory is a woman s name desiree with steadily increasing doses of a strange new hallucinogen eric finds that the drug allows him to reassemble his past in broken fragments

[dermatographia dermatographism symptoms and causes mayo clinic](#) - Sep 01 2022

web feb 4 2023 symptoms symptoms of dermatographia may include raised inflamed lines where you scratched welts from friction swelling itching the symptoms may occur within a few minutes of the skin being rubbed or scratched they tend to go away within 30 minutes rarely the skin symptoms develop more slowly and lasts several hours to days

[ron perlman interview guillermo del toro hellboy 3 dermaphoria](#) - Oct 02 2022

web ron perlman talks exclusively to red carpet news in london at the world premiere of his new film dermaphoria at the east end film festival 2014 the sons of

**dermaphoria wikipedia** - Oct 14 2023

web dermaphoria 2005 is a novel written by american author craig clevenger plot summary edit eric ashworth awakens in jail unable to remember how he got there or why

[watch desiree prime video amazon com](#) - Feb 06 2023

web 4 7 1 h 26 min 2016 18 based on the gritty cult novel dermaphoria by clive clevenger an experimental chemist survives an almost lethal dose of his own popular recreational drug wakes up in jail with amnesia badly burnt and must find a mysterious women to uncover what happened to him

**desiree 2014 the movie database tmdb** - Mar 07 2023

web sep 27 2016 an inspired experimental chemist wakes up in a new orleans jail accused of arson that s linked to an illegal drug manufacturing ring suffering from amnesia he s unexpectedly released on bail determined to find his missing girlfriend

**british council film dermaphoria** - Apr 08 2023

web synopsis an inspired experimental chemist wakes up in a new orleans jail accused of arson that s linked to an illegal drug manufacturing ring suffering from amnesia he s unexpectedly released on bail determined to find his missing girlfriend  
facebook com dermaphoriafilm

prime video desiree - Dec 04 2022

web desiree based on the gritty cult novel dermaphoria by clive clevenger an experimental chemist survives an almost lethal dose of his own popular recreational drug wakes up in jail with amnesia badly burnt and must find a mysterious women to uncover what happened to him imdb 4 7 1 h 26 min 2016 18

dermaphoria rotten tomatoes - Jul 31 2022

web an experimental chemist wakes up in a jail in new orleans accused of setting fire to an illegal drug manufacturing ring  
genre crime drama mystery thriller original language english

**desiree 2014 imdb** - Jul 11 2023

web sep 27 2016 desiree directed by ross clarke with joseph morgan nicole badaan walton goggins lucius falick an inspired experimental chemist wakes up in a new orleans jail accused of arson that s linked to an illegal drug manufacturing ring suffering from amnesia he s unexpectedly released on bail determined to find his missing girlfriend

dermaphoria trailer opening night gala east end film vimeo - Mar 27 2022

web dermaphoria trailer hd starring joseph morgan ron perlman walton goggins kate walsh directed by ross clarke in post

**dermaphoria where to watch and stream tv guide** - Jun 10 2023

web 2015 1 hr 33 mins drama suspense nr watchlist a chemist awakens in jail with no memory of how he got there once he s released he begins a drug addled journey to find out what happened to

**dermalogica singapore official website** - Feb 23 2022

web your great skin starts here buy genuine dermalogica products from the source shop online free shipping on all orders above 80

**dermaphoria trailer opening night gala east end film** - Aug 12 2023

web may 14 2014 director ross clarkepremiere type worldrunning time 93mincountry uk usayear 2014east end filmmaker ross clarke skid row eeff 2010 heads west to amer

**everything you need to know about dermaphoria movie** - Nov 03 2022

web mar 8 2013 dermaphoria is announced a brilliant chemist wakes up in jail after a drug lab explosion and is suffering from amnesia trapped between cops who want to arrest him a

**dermaphoria 2014 filmaffinity** - May 09 2023

web dermaphoria is a film directed by ross clarke with joseph morgan nicole badaan walton goggins lucius falick year 2014 original title dermaphoria desiree synopsis an inspired experimental chemist wakes up in a new orleans jail accused of arson that s linked to an illegal drug manufacturing ring

**dermaphoria movie reviews rotten tomatoes** - Jan 05 2023

web verified audience no all critics reviews for dermaphoria rotten tomatoes home of the tomatometer is the most trusted measurement of quality for movies tv the definitive site for reviews

*dermaphoria adaptation lands director finds financing* - Apr 27 2022

web mar 7 2013 documentary filmmaker ross clarke will make his narrative directorial debut with the adaptation of a cult craig clevenger novel ross clarke has closed a deal to direct dermaphoria an adaptation

**logique formelle et logique transcendantale decitre** - Apr 30 2022

web nov 25 2009 logique formelle et logique transcendantale essai d une critique de la raison logique de edmund husserl collection epiméthée livraison gratuite à 0 01 dès 35 d achat librairie decitre votre prochain livre est là

*logique formelle et logique transcendantale tradu pdf wp* - May 12 2023

web logique formelle et logique transcendantale edmund husserl 2009 nous avons tenté dans cet ouvrage de tracer le chemin qui va de la logique traditionnelle à la logique transcendantale à la logique transcendantale qui n est pas une seconde logique mais qui est seulement la logique elle même radicale et concrète qui doit son

**logique formelle et logique transcendantale edmund husserl** - Nov 06 2022

web nov 25 2009 résumé nous avons tenté dans cet ouvrage de tracer le chemin qui va de la logique traditionnelle à la logique transcendantale à la logique transcendantale qui n est pas une seconde logique mais qui est seulement la logique elle même radicale et concrète qui doit son développement à la méthode phénoménologique

**logique formelle et métaphysique du sujet** - Dec 27 2021

web heidegger l éternelle nouveauté de la logique cavallès qui ne peut être fondée par l analyse phénoménologique comme par une science positive la notion de vérité se modifie n est ce pas alors le logique qui donne l histoire de la subjectivité le devenir paradoxal des mathématiques comme modèle du devenir de la conscience

**logique formelle et logique transcendantale 2 ed** - Jan 08 2023

web a l'autonomie conceptuelle de la logique traditionnelle en tant qu'analytique apophantique 100 h apparition de l'idée d'une analytique élargie de la mathesis universalis de leibniz et unification au moyen d'une technique méthodique de la syllogistique traditionnelle et de la mathématique formelle 102

la logique de husserl excerpts numilog.com - Aug 15 2023

web tâche qui sera celle de logique formelle et logique transcendantale dominer la technique des sciences existantes par une activité de fondation qui seule permet à ces sciences de devenir des sciences authentiques et vraiment conséquentes mais dans philosophie der arithmetik cette activité critique de fondation ne répugne pas à

**logique formelle et logique transcendantale traduction de** - Jul 14 2023

web logique formelle et logique transcendantale traduction de suzanne bachelard by husserl edmund la rforme transcendantale du possible de l'analytique may 18th 2019 l'article se propose de restituer les étapes et les enjeux de l'élaboration dans la philosophie

*logique formelle et logique transcendantale tradu* - Dec 07 2022

web logique formelle et logique transcendantale traduction is available in our book collection an online access to it is set as public so you can get it instantly our book servers spans in multiple locations allowing you to get the most less latency time to download any of our books like this one

**logique formelle et logique transcendantale tradu 2022** - Mar 30 2022

web same way as this logique formelle et logique transcendantale traduction but stop occurring in harmful downloads rather than enjoying a fine pdf taking into account a cup of coffee in the afternoon on the other hand they juggled bearing in mind some harmful virus inside their computer

**logique formelle et logique transcendantale traduction copy** - Sep 04 2022

web logique formelle et logique transcendantale traduction de la synthèse passive de la logique formelle et transcendantale a l'ontologie chez ed husserl sur la logique et la théorie de la science danish yearbook of philosophy vol 29 les philosophies françaises et la science philosophy phenomenology sciences

*logique formelle et logique transcendantale traduction de* - Mar 10 2023

web jun 25 2023 logique pure de husserl et dans les rapports entre sa logique formelle et sa logique transcendantale et ainsi de blier des lacunes qui empêchent toujours qu'on arrive à une appréciation juste de cette théorie je me propose ici de regarder de plus près 7 préface à la traduction 11 avant propos à la réédition de 2008 23 introduction 39

**logique formelle et logique transcendantale** - Feb 26 2022

web sep 27 2018 le document logique formelle et logique transcendantale edmund husserl compte 728 mots soit 2 pages

pour le télécharger en entier envoyez nous l'un de vos travaux scolaires grâce à notre système gratuit d'échange de ressources numériques ou achetez le pour la somme symbolique

*logique formelle et logique transcendantale tradu pdf* - Feb 09 2023

web logique formelle et logique transcendantale l'idée de la phénoménologie logique formelle et logique transcendantale  
tradu downloaded from retailer bonide com by guest

**logique formelle logique transcendantale philopsis** - Jun 13 2023

web feb 28 2008 la logique formelle est une théorie des formes des jugements et des formes des raisonnements elle se définit comme la science des lois nécessaires de la pensée kant logique p 12 qui précise les lois nécessaires et universelles de la pensée en général

*logique formelle et logique transcendantale tradu* - Jun 01 2022

web logique formelle et logique transcendantale frege essai sur le concept de crise de la logique formelle et transcendantale  
a l'ontologie chez ed husserl la question de la logique transcendantale dans la philosophie de edmund husserl recherches  
logiques de la synthèse passive logique formelle et logique

logique formelle et logique transcendantale tradu jean - Oct 05 2022

web une lecture à la croisée entre la philosophie transcendantale et les sciences cognitives l'auteur démontre que la phénoménologie husserlienne est en mesure de dialoguer avec les sciences positives dans l'optique d'une caractérisation de la vie consciente

**logique formelle et logique transcendantale tradu 2022** - Jul 02 2022

web notice logique formelle et logique transcendantale tradu as without difficulty as review them wherever you are now  
logique formelle et logique transcendantale tradu downloaded from portal dlc ui edu ng by guest jordan hallie de la logique  
formelle et transcendantale à

**logique formelle et logique transcendantale broché amazon fr** - Apr 11 2023

web noté 5 achetez logique formelle et logique transcendantale de husserl edmund bachelard suzanne isbn 9782130578680  
sur amazon fr des millions de livres livrés chez vous en 1 jour

**logique formelle et logique transcendantale tradu uniport edu** - Jan 28 2022

web jun 10 2023 this logique formelle et logique transcendantale tradu can be taken as with ease as picked to act husserl s  
logical investigations in the new century western and chinese

*logique formelle et logique transcendantale traduction de* - Aug 03 2022

web jul 29 2023 logique formelle et logique transcendantale traduction de suzanne bachelard by husserl edmund  
bibliographie de logique et de philosophie du langage la logique transcendantale de husserl la passivité de la logique

openedition bernard bolzano bibliographie des traductions et des tudes du point de vue logique

Discover tales of courage and bravery in Explore Bravery with is empowering ebook, Unleash Courage in **Owners Manual For 2008 Polaris Ranger** . In a downloadable PDF format ( \*), this collection inspires and motivates. Download now to witness the indomitable spirit of those who dared to be brave.

[https://offsite.creighton.edu/files/virtual-library/Documents/how\\_to\\_have\\_perfect\\_grass.pdf](https://offsite.creighton.edu/files/virtual-library/Documents/how_to_have_perfect_grass.pdf)

[https://offsite.creighton.edu/files/virtual-library/Documents/how\\_to\\_get\\_faster\\_in\\_swimming.pdf](https://offsite.creighton.edu/files/virtual-library/Documents/how_to_get_faster_in_swimming.pdf)

[https://offsite.creighton.edu/files/virtual-library/Documents/how\\_to\\_lose\\_mummy\\_tummy\\_without\\_exercise.pdf](https://offsite.creighton.edu/files/virtual-library/Documents/how_to_lose_mummy_tummy_without_exercise.pdf)

## **Table of Contents Owners Manual For 2008 Polaris Ranger**

1. Understanding the eBook Owners Manual For 2008 Polaris Ranger
  - The Rise of Digital Reading Owners Manual For 2008 Polaris Ranger
  - Advantages of eBooks Over Traditional Books
2. Identifying Owners Manual For 2008 Polaris Ranger
  - Exploring Different Genres
  - Considering Fiction vs. Non-Fiction
  - Determining Your Reading Goals
3. Choosing the Right eBook Platform
  - Popular eBook Platforms
  - Features to Look for in an Owners Manual For 2008 Polaris Ranger
  - User-Friendly Interface
4. Exploring eBook Recommendations from Owners Manual For 2008 Polaris Ranger
  - Personalized Recommendations
  - Owners Manual For 2008 Polaris Ranger User Reviews and Ratings

- Owners Manual For 2008 Polaris Ranger and Bestseller Lists
- 5. Accessing Owners Manual For 2008 Polaris Ranger Free and Paid eBooks
  - Owners Manual For 2008 Polaris Ranger Public Domain eBooks
  - Owners Manual For 2008 Polaris Ranger eBook Subscription Services
  - Owners Manual For 2008 Polaris Ranger Budget-Friendly Options
- 6. Navigating Owners Manual For 2008 Polaris Ranger eBook Formats
  - ePub, PDF, MOBI, and More
  - Owners Manual For 2008 Polaris Ranger Compatibility with Devices
  - Owners Manual For 2008 Polaris Ranger Enhanced eBook Features
- 7. Enhancing Your Reading Experience
  - Adjustable Fonts and Text Sizes of Owners Manual For 2008 Polaris Ranger
  - Highlighting and Note-Taking Owners Manual For 2008 Polaris Ranger
  - Interactive Elements Owners Manual For 2008 Polaris Ranger
- 8. Staying Engaged with Owners Manual For 2008 Polaris Ranger
  - Joining Online Reading Communities
  - Participating in Virtual Book Clubs
  - Following Authors and Publishers Owners Manual For 2008 Polaris Ranger
- 9. Balancing eBooks and Physical Books Owners Manual For 2008 Polaris Ranger
  - Benefits of a Digital Library
  - Creating a Diverse Reading Collection Owners Manual For 2008 Polaris Ranger
- 10. Overcoming Reading Challenges
  - Dealing with Digital Eye Strain
  - Minimizing Distractions
  - Managing Screen Time
- 11. Cultivating a Reading Routine Owners Manual For 2008 Polaris Ranger
  - Setting Reading Goals Owners Manual For 2008 Polaris Ranger
  - Carving Out Dedicated Reading Time
- 12. Sourcing Reliable Information of Owners Manual For 2008 Polaris Ranger
  - Fact-Checking eBook Content of Owners Manual For 2008 Polaris Ranger
  - Distinguishing Credible Sources



13. Promoting Lifelong Learning
  - Utilizing eBooks for Skill Development
  - Exploring Educational eBooks
14. Embracing eBook Trends
  - Integration of Multimedia Elements
  - Interactive and Gamified eBooks

### **Owners Manual For 2008 Polaris Ranger Introduction**

Free PDF Books and Manuals for Download: Unlocking Knowledge at Your Fingertips In today's fast-paced digital age, obtaining valuable knowledge has become easier than ever. Thanks to the internet, a vast array of books and manuals are now available for free download in PDF format. Whether you are a student, professional, or simply an avid reader, this treasure trove of downloadable resources offers a wealth of information, conveniently accessible anytime, anywhere. The advent of online libraries and platforms dedicated to sharing knowledge has revolutionized the way we consume information. No longer confined to physical libraries or bookstores, readers can now access an extensive collection of digital books and manuals with just a few clicks. These resources, available in PDF, Microsoft Word, and PowerPoint formats, cater to a wide range of interests, including literature, technology, science, history, and much more. One notable platform where you can explore and download free Owners Manual For 2008 Polaris Ranger PDF books and manuals is the internet's largest free library. Hosted online, this catalog compiles a vast assortment of documents, making it a veritable goldmine of knowledge. With its easy-to-use website interface and customizable PDF generator, this platform offers a user-friendly experience, allowing individuals to effortlessly navigate and access the information they seek. The availability of free PDF books and manuals on this platform demonstrates its commitment to democratizing education and empowering individuals with the tools needed to succeed in their chosen fields. It allows anyone, regardless of their background or financial limitations, to expand their horizons and gain insights from experts in various disciplines. One of the most significant advantages of downloading PDF books and manuals lies in their portability. Unlike physical copies, digital books can be stored and carried on a single device, such as a tablet or smartphone, saving valuable space and weight. This convenience makes it possible for readers to have their entire library at their fingertips, whether they are commuting, traveling, or simply enjoying a lazy afternoon at home. Additionally, digital files are easily searchable, enabling readers to locate specific information within seconds. With a few keystrokes, users can search for keywords, topics, or phrases, making research and finding relevant information a breeze. This efficiency saves time and effort, streamlining the learning process and allowing individuals to focus on extracting the information they need. Furthermore, the availability of free PDF books and manuals fosters a culture

of continuous learning. By removing financial barriers, more people can access educational resources and pursue lifelong learning, contributing to personal growth and professional development. This democratization of knowledge promotes intellectual curiosity and empowers individuals to become lifelong learners, promoting progress and innovation in various fields. It is worth noting that while accessing free Owners Manual For 2008 Polaris Ranger PDF books and manuals is convenient and cost-effective, it is vital to respect copyright laws and intellectual property rights. Platforms offering free downloads often operate within legal boundaries, ensuring that the materials they provide are either in the public domain or authorized for distribution. By adhering to copyright laws, users can enjoy the benefits of free access to knowledge while supporting the authors and publishers who make these resources available. In conclusion, the availability of Owners Manual For 2008 Polaris Ranger free PDF books and manuals for download has revolutionized the way we access and consume knowledge. With just a few clicks, individuals can explore a vast collection of resources across different disciplines, all free of charge. This accessibility empowers individuals to become lifelong learners, contributing to personal growth, professional development, and the advancement of society as a whole. So why not unlock a world of knowledge today? Start exploring the vast sea of free PDF books and manuals waiting to be discovered right at your fingertips.

### **FAQs About Owners Manual For 2008 Polaris Ranger Books**

How do I know which eBook platform is the best for me? Finding the best eBook platform depends on your reading preferences and device compatibility. Research different platforms, read user reviews, and explore their features before making a choice. Are free eBooks of good quality? Yes, many reputable platforms offer high-quality free eBooks, including classics and public domain works. However, make sure to verify the source to ensure the eBook credibility. Can I read eBooks without an eReader? Absolutely! Most eBook platforms offer web-based readers or mobile apps that allow you to read eBooks on your computer, tablet, or smartphone. How do I avoid digital eye strain while reading eBooks? To prevent digital eye strain, take regular breaks, adjust the font size and background color, and ensure proper lighting while reading eBooks. What the advantage of interactive eBooks? Interactive eBooks incorporate multimedia elements, quizzes, and activities, enhancing the reader engagement and providing a more immersive learning experience. Owners Manual For 2008 Polaris Ranger is one of the best book in our library for free trial. We provide copy of Owners Manual For 2008 Polaris Ranger in digital format, so the resources that you find are reliable. There are also many Ebooks of related with Owners Manual For 2008 Polaris Ranger. Where to download Owners Manual For 2008 Polaris Ranger online for free? Are you looking for Owners Manual For 2008 Polaris Ranger PDF? This is definitely going to save you time and cash in something you should think about.

**Find Owners Manual For 2008 Polaris Ranger :**

~~how to have perfect grass~~

~~how to get faster in swimming~~

~~how to lose mummy tummy without exercise~~

~~how to consciously uncouple~~

~~how to decorate with fondant~~

~~how to go warrant officer army~~

~~how to properly play piano~~

~~how to read music for bass guitar~~

~~how to create graph paper in excel~~

**how to draw microscope**

*how to make teddy bears*

~~how to draw mickey mouse step by step~~

~~how to start a life coaching business pdf~~

**how to make a wedding scrapbook**

~~how to take charge of your life jim rohn~~

**Owners Manual For 2008 Polaris Ranger :**