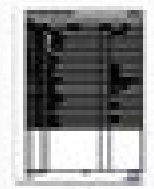
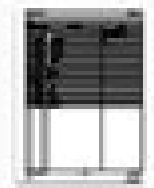
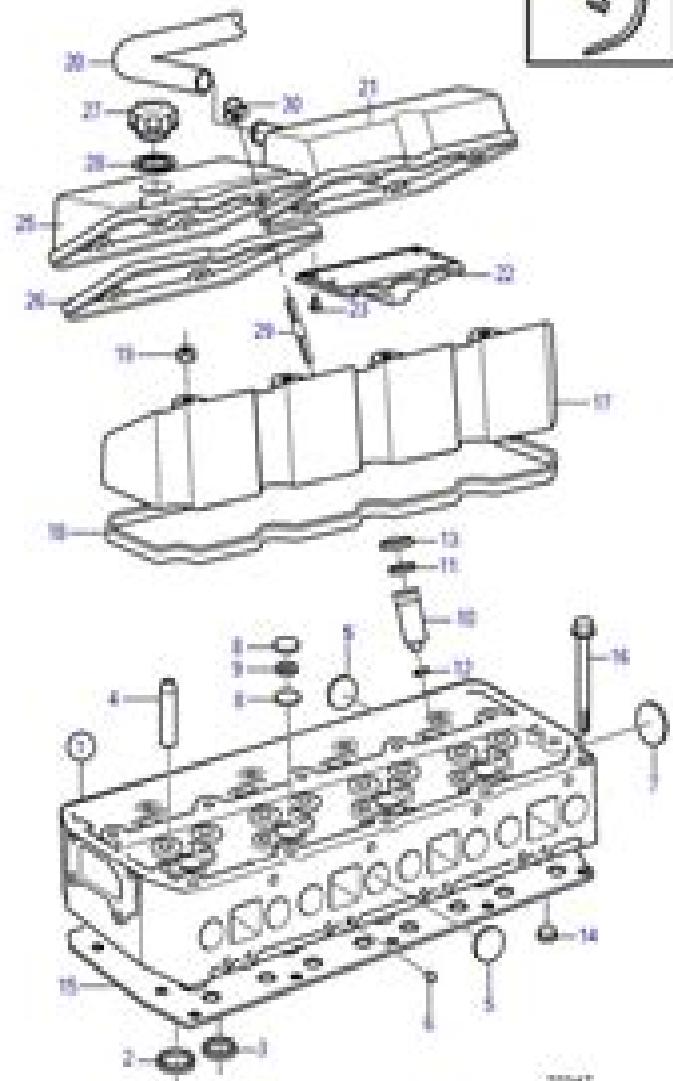


Page Thumbnails



KAD52P



Manual Volvo Kad32p

TD Snyder



Manual Volvo Kad32p

was ist los in meinem körper alles über zyklus tage - Jul 13 2023

web klärt über sexualität auf und ist ein liebevoller begleiter für mädchen und teenager während der pubertät dr raith paula beschreibt in ihrem sexual ratgeber besonders

was ist los in meinem körper alles über zyklus ta pdf - May 31 2022

web mar 15 2023 was ist los in meinem körper alles über zyklus ta 2 11 downloaded from uniport edu ng on march 15 2023 by guest für die grundstufe der förderschule

was ist los in meinem körper alles über zyklus ta f terry - Nov 05 2022

web was ist los in meinem körper alles über zyklus ta was ist los in meinem körper alles über zyklus ta 2 downloaded from bespoke cityam com on 2023 06 04 by guest

was ist los in meinem körper alles über zyklus ta buch - Mar 09 2023

web was ist los in meinem körper alles über zyklus ta buch zustand sehr gut eur 7 18 in vendita herausgeber publisher action abenteuer schutzumschlag

was ist los in meinem körper alles über zyklus ta pdf pdf - Jan 07 2023

web mara altman schreibt über alles was normalerweise tabu ist über unerwünschte körperbehaarung übermäßiges schwitzen menstruationsblut hängende brüste

was ist los in meinem körper alles über zyklus ta pdf m - Mar 29 2022

web jul 9 2023 as this was ist los in meinem körper alles über zyklus ta pdf it ends occurring inborn one of the favored book was ist los in meinem körper alles über

was ist los in meinem körper alles über zyklus tage - May 11 2023

web jun 16 2023 was ist los in meinem körper alles über zyklus tage fruchtbarkeit by dr med elisabeth raith paula kompetent erfrischend natürlich und ohne falsche tabus

ablauf türkisch Übersetzung deutsch beispiele reverso - Dec 26 2021

web Übersetzung für ablauf im türkisch ich führe sie durch den ablauf süreç boyunca ben de yanınızda olacağım im anschluss daran können wir den ablauf und die termine

was ist los in meinem körper alles über zyklus ta book - Dec 06 2022

web was ist los in meinem körper alles über zyklus ta pdf was ist los in meinem körper alles über zyklus ta 2 downloaded from analytics test makestories io on by

[Çukur bölümleri listesi wikipedi](#) - Oct 24 2021

web Çukur bölümleri listesi bu maddede 2017 2021 yılları arasında show tv de yayımlanan Çukur adlı aksiyon ve dram türündeki türk televizyon dizisinin bölümleri listesi yer

ebook was ist los in meinem korper alles uber zyklus ta - Apr 29 2022

web was ist los in meinem korper alles uber zyklus ta körper und geist jun 20 2020 das verhältnis von körper und geist wird oft nur in abgeschlossenen philosophiezirkeln

was ist los in meinem körper alles über zyklus tage - Apr 10 2023

web jun 10 2023 was ist los in meinem körper buch versandkostenfrei bei was ist los in meinem körper alles über zyklus tage was ist los in meinem körper 9783896043948

was ist los in meinem korper alles uber zyklus ta pdf - Sep 03 2022

web aug 12 2023 was ist los in meinem korper alles uber zyklus ta 1 8 downloaded from uniport edu ng on august 12 2023 by guest was ist los in meinem korper alles uber

[was ist los in meinem korper alles uber zyklus ta pdf](#) - Sep 22 2021

web noise and distractions however situated within the lyrical pages of was ist los in meinem korper alles uber zyklus ta a fascinating perform of literary elegance that pulses with

was ist los in meinem korper alles uber zyklus ta heinz halm - Jan 27 2022

web jan 9 2023 4730486 was ist los in meinem korper alles uber zyklus ta 2 8 downloaded from robbinsmanuscripts berkeley edu on by guest américa rodolfo

was ist los in meinem korper alles uber zyklus ta shamar - Feb 08 2023

web was ist los in meinem korper alles uber zyklus ta is universally compatible with any devices to read pia desideria 1624 introductory note by hester m black herman

was ist los in meinem körper alles über zyklus tage - Aug 14 2023

web das buch vermittelt die gedanken du bist einzigartig du als frau bist ganz was besonderes es ist schön und wertvoll eine frau zu sein die periode ist keine strafe

mein tagesablauf deutsch türkisch Übersetzung pons - Feb 25 2022

web Übersetzung deutsch türkisch für mein tagesablauf im pons online wörterbuch nachschlagen gratis vokabeltrainer verbtabellen aussprachefunktion

buchempfehlung was ist los in meinem körper de daysy me - Aug 02 2022

web buchtipp was ist los in meinem körper alles über zyklus tage fruchtbarkeit ja es gibt sie jene menschen die alles was mit der weiblichen sexualität und fruchtbarkeit

was ist los in meinem korper alles uber zyklus ta book - Jun 12 2023

web was ist los in meinem korper alles uber zyklus ta decoding was ist los in meinem korper alles uber zyklus ta revealing the captivating potential of verbal expression

was ist los in meinem korper alles uber zyklus ta wrbb neu - Jul 01 2022

web 2 was ist los in meinem korper alles uber zyklus ta 2020 11 02 this unique dictionary covers all the major german idioms and is probably the richest source of contemporary

yeni bir zamanlar Çukurova bölümleri hemen izle atv - Nov 24 2021

web bir zamanlar Çukurova tüm bölümleri full hd kesintisiz atv com tr de bir zamanlar Çukurova tek parça izle bir zamanlar Çukurova son bölümde neler oldu

was ist los in meinem korper alles uber zyklus ta pdf unica - Oct 04 2022

web jun 28 2023 *ist los in meinem korper alles uber zyklus ta pdf* is additionally useful you have remained in right site to begin getting this info acquire the was ist los in

thermal engineer interview questions answers wisdom jobs - Jun 01 2022

web 250 thermal engineer interview questions and answers question1 define heat transfer question2 what are the modes of heat transfer question3 what is conduction question4 state fourier s law of conduction question5 define thermal conductivity *pdf thermal engineering i me8493 notes question papers* - Apr 30 2022

web dec 8 2022 *thermal engineering i me8493 notes question papers syllabus december 8 2022 apr may 2023 exams notes qb material*

thermal engineering online notes objective and interview questions - Aug 03 2022

web mechanical technical interview questions thermodynamics difference between impulse and reaction turbine steam power plant components diagram working construction and working of benson boilers air standard diesel cycle used for diesel engine constructions and working of lamont boiler application

6 thermal engineering interview questions with answers - Mar 10 2023

web mar 23 2023 in this article we outline six thermal engineering interview questions explain why employers ask them and provide a sample answer to each question to help you build better more compelling responses related different types of engineering fields with definition find thermal engineer jobs

254 questions with answers in thermal engineering - Jan 08 2023

web jun 9 2023 1 2 3 serhii A palkov asked a question related to thermal engineering what are the advantages of the rotary engine wankel over a conventional piston engine when operating on steam

30 thermal engineer interview questions and answers - Jul 14 2023

web jun 6 2023 30 thermal engineer interview questions and answers common thermal engineer interview questions how to answer them and example answers from a certified career coach interviewprep career coach published jun 6 2023 in the world of engineering thermal engineers play a critical role in ensuring that various systems and

diploma thermal engineering 1 important questions and answers - Jan 28 2022

web december 7 2021 by kamesh diploma thermal engineering 1 important questions and answers dear friends we are adding diploma thermal engineering 1 important questions and answers 3 marks for all the units we added the diploma thermal engineering 1 important questions and answers in pdf format kindly share it with

pdf me8493 thermal engineering easyengineering networks - Feb 26 2022

web classification and comparison working principle work of compression with and without clearance volumetric efficiency isothermal efficiency and isentropic efficiency multistage air compressor with intercooling working principle and comparison of rotary compressors with reciprocating air compressors

problems and solutions in thermal engineering springer - Aug 15 2023

web jul 15 2023 this book presents the problem solution format and is a collection of over 225 multiple choice type questions and 40 practice exam questions with solutions problems and solutions in thermal engineering with multiple choice type questions

pdf me6404 thermal engineering te books lecture notes - Sep 04 2022

web classification and working principle of various types of compressors work of compression with and without clearance volumetric efficiency isothermal efficiency and isentropic efficiency of reciprocating compressors multistage air compressor and inter cooling work of multistage air compressor unit v refrigeration and air conditioning

thermal engineering me 2301 2 mark question and answers pdf - Jul 02 2022

web this file contains the part a question and answers for me 2301 thermal engineering of v semester b e mechanical curriculum copyright attribution non commercial by nc available formats download as pdf txt or read online from scribd flag for inappropriate content of 10 arpradeep tk 1 dhanalakshmi college of engineering

top 12 thermal engineering interview questions and answers - May 12 2023

web compilation of interview questions and answers on thermal engineering for engineering students 1 what is meant by quasi static process in thermodynamics quasi means nearly or almost so quasi static process means nearly static process or nearly stationary process or a process which proceeds with extreme slowness

top 100 thermal engineer interview questions and answers - Dec 07 2022

web top 100 thermal engineer interview questions and answers question 1 define heat transfer answer heat switch can be defined because the transmission of power from one region to every other because of temperature distinction question 2

what are the modes of heat transfer answer conduction convection radiation

top 30 interview questions on thermal engineering engineering - Mar 30 2022

web interview question 1 define engineering thermodynamics and it is the science which analyses the problems related to the conversion of heat to work and vice versa and changes in properties of the working fluids involved in such a conversion

thermal engineering mcq multiple choice questions - Feb 09 2023

web thermal engineering multiple choice questions highlights 1000 multiple choice questions answers mcqs in thermal engineering with a detailed explanation of every question these mcqs cover theoretical concepts true false t f statements fill in the blanks and match the following style statements

thermal engineering i me8493 anna university important questions - Dec 27 2021

web thermal engineering i me8493 important questions and answers question paper download online study material

lecturing notes assignment reference wiki anna university mech

thermal engineer interview questions glassdoor - Oct 05 2022

web apr 14 2020 glassdoor has 187 interview questions and reports from thermal engineer interviews prepare for your interview get hired love your job

300 updated thermal engineer interview questions - Jun 13 2023

web 1 define heat transfer heat transfer can be defined as the transmission of energy from one region to another due to temperature difference 2 what are the modes of heat transfer conduction convection radiation project management interview questions 3 what is conduction

thermal engineering questions and answers sanfoundry - Nov 06 2022

web take adiabatic index equal to 1.4 a 353.40 m/s b 321.56 m/s c 360.87 m/s d 400.32 m/s view answer 11 air enters a frictionless adiabatic horizontal nozzle at 12 bar and 167°C with inlet velocity 50 m/s and leaves at 3 bar take adiabatic index equal to 1.4 and $c_p = 1.005 \text{ kJ/kg}\cdot\text{K}$

thermal engineering questions paper for diploma mech 2020 - Apr 11 2023

web apr 26 2020 in this article we test your study on thermal engineering with thermal engineering questions and answers let's take an overview of thermal engineering as you know that thermal engineering is a branch of science which deals with the energies acquired by the gas and vapour the conversion of these energies into heat and

aprende a leer musica las claves practicas de la - Jan 28 2022

web guardar guardar aprende a leer musica las claves practicas de la t para más tarde 0 0 encontró este está en la página 1 de 1 buscar dentro del

aprende a leer música las claves prácticas de la teoría - Dec 07 2022

web esta guía musical aborda los aspectos básicos de la afinación el ritmo las claves las escalas los acordes y más construyendo el conocimiento del lector capítulo a capítulo

estigma sensacionalismo y una app para móviles las claves del - Sep 23 2021

web 2 practica tocar notas acordes y escalas en el instrumento después de dominar los conceptos de notas acordes y escalas aprender a producir estos sonidos con tu

aprende a leer música las claves prácticas de la teoría musical - Jun 13 2023

web esta guía musical aborda los aspectos básicos de la afinación el ritmo las claves las escalas los acordes y más construyendo el conocimiento del lector capítulo a capítulo

aprende a leer musica en las 7 claves tutellus - Nov 25 2021

web sinopsis de aprende a leer musica las claves practicas de la teoria musical tanto si quieres estudiar a tocar un instrumento o desempolvar tus entendimientos musicales

aprende a leer musica las claves practicas de la teoria musical - Oct 25 2021

web 2 hours ago estigma sensacionalismo y una app para móviles las claves del informe de la nasa sobre los ovnis la agencia tratará de aplicar la metodología científica y todo su

aprende a leer música las claves prácticas de la teoría musical - Jul 02 2022

web te acompaña detalladamente a través de los aspectos básicos de la afinación del ritmo de las claves de las escalas de los acordes y mucho más construyendo tus

aprende a leer musica las claves practicas de la teoria - Sep 04 2022

web aprende a leer música las claves prácticas de la teoría musical swing de nickol peter en iberlibro com isbn 10 8496746550 isbn 13 9788496746558 ediciones

aprende a leer musica las claves practicas de la teoria musical - Mar 30 2022

web compre online aprende a leer música las claves prácticas de la teoría musical de nickol peter na amazon frete grátis em milhares de produtos com o amazon prime

aprende a leer música las claves prácticas de la teoría musical - May 12 2023

web aug 1 2012 esta guía musical aborda los aspectos básicos de la afinación el ritmo las claves las escalas los acordes y más construyendo el conocimiento del lector

aprende a leer musica las claves practicas de la - Apr 30 2022

web mar 20 2011 aprende a leer musica las claves practicas de la teoria musical es una libro escrito por peter nickol descubre todos los libros de libros música

cómo aprender música wikihow - Aug 23 2021

aprende a leer música las claves prácticas de la teoría musical - Oct 05 2022

web buy aprende a leer musica las claves practicas de la teoria musical by peter nickol online at alibris we have new and used copies available in 1 editions starting at

aprende a leer música las claves prácticas de la teoría musical - Jun 01 2022

web te acompaña detalladamente a través de los aspectos básicos de la afinación del ritmo de las claves de las escalas de los acordes y mucho más construyendo tus

aprende a leer música las claves prácticas de la teoría musical - Jul 14 2023

web esta guía musical aborda los aspectos básicos de la afinación el ritmo las claves las escalas los acordes y más construyendo el conocimiento del lector capítulo a capítulo

aprende a leer música las claves prácticas de la teoría - Jan 08 2023

web nickol peter aprende a leer música las claves prácticas de la teoría musical swing spanish edition isbn 13 9788496746558 aprende a leer música las claves

aprende a leer musica las claves - Mar 10 2023

web aprende a leer musica las claves practicas de la teoria musical swing nickol peter amazon com tr kitap

aprende a leer música las claves prácticas de la teorí - Apr 11 2023

web te acompaña detalladamente a través de los aspectos básicos de la afinación del ritmo de las claves de las escalas de los acordes y mucho más construyendo tus

aprende a leer musica las claves practicas de la - Aug 15 2023

web aug 1 2012 esta guía musical aborda los aspectos básicos de la afinación el ritmo las claves las escalas los acordes y más construyendo el conocimiento del lector

aprende a leer música las claves prácticas de la teoría musical - Nov 06 2022

web aprende a leer música las claves prácticas de la teoría musical nickol peter 9788496746558 books amazon ca

aprende a leer musica las claves practicas de la teoria - Feb 09 2023

web aprende a leer música las claves prácticas de la teoría musical swing nickol peter amazon co uk books

aprende a leer música las claves prácticas de la teoría - Feb 26 2022

web mar 21 2011 aprende a leer musica las claves practicas de la teoria musical es un libro escrito por peter nickol que fue publicado en 2011 03 21 por

9788496746558 aprende a leer música las claves prácticas de - Aug 03 2022

web aprende a leer música las claves prácticas de la teoría musical nickol peter on amazon com au free shipping on eligible orders aprende a leer música las

aprende a leer musica las claves practicas de la teoria musical - Dec 27 2021

web descripción del curso este curso de aprender a leer musica en las 7 claves te dará todos los conocimientos necesarios para poder distinguir cada una de ellas y saber leer

Fuel your quest for knowledge with Authored by is thought-provoking masterpiece, Dive into the World of **Manual Volvo Kad32p** . This educational ebook, conveniently sized in PDF (Download in PDF: *), is a gateway to personal growth and intellectual stimulation. Immerse yourself in the enriching content curated to cater to every eager mind. Download now and embark on a learning journey that promises to expand your horizons. .

https://offsite.creighton.edu/files/virtual-library/Documents/ged_science_practice.pdf

https://offsite.creighton.edu/files/virtual-library/Documents/german_cooking_book.pdf

https://offsite.creighton.edu/files/virtual-library/Documents/geometry_12_practice_a.pdf

Table of Contents Manual Volvo Kad32p

1. Understanding the eBook Manual Volvo Kad32p
 - The Rise of Digital Reading Manual Volvo Kad32p
 - Advantages of eBooks Over Traditional Books
2. Identifying Manual Volvo Kad32p
 - Exploring Different Genres
 - Considering Fiction vs. Non-Fiction
 - Determining Your Reading Goals
3. Choosing the Right eBook Platform
 - Popular eBook Platforms
 - Features to Look for in an Manual Volvo Kad32p
 - User-Friendly Interface
4. Exploring eBook Recommendations from Manual Volvo Kad32p
 - Personalized Recommendations

- Manual Volvo Kad32p User Reviews and Ratings
- Manual Volvo Kad32p and Bestseller Lists
- 5. Accessing Manual Volvo Kad32p Free and Paid eBooks
 - Manual Volvo Kad32p Public Domain eBooks
 - Manual Volvo Kad32p eBook Subscription Services
 - Manual Volvo Kad32p Budget-Friendly Options
- 6. Navigating Manual Volvo Kad32p eBook Formats
 - ePub, PDF, MOBI, and More
 - Manual Volvo Kad32p Compatibility with Devices
 - Manual Volvo Kad32p Enhanced eBook Features
- 7. Enhancing Your Reading Experience
 - Adjustable Fonts and Text Sizes of Manual Volvo Kad32p
 - Highlighting and Note-Taking Manual Volvo Kad32p
 - Interactive Elements Manual Volvo Kad32p
- 8. Staying Engaged with Manual Volvo Kad32p
 - Joining Online Reading Communities
 - Participating in Virtual Book Clubs
 - Following Authors and Publishers Manual Volvo Kad32p
- 9. Balancing eBooks and Physical Books Manual Volvo Kad32p
 - Benefits of a Digital Library
 - Creating a Diverse Reading Collection Manual Volvo Kad32p
- 10. Overcoming Reading Challenges
 - Dealing with Digital Eye Strain
 - Minimizing Distractions
 - Managing Screen Time
- 11. Cultivating a Reading Routine Manual Volvo Kad32p
 - Setting Reading Goals Manual Volvo Kad32p
 - Carving Out Dedicated Reading Time
- 12. Sourcing Reliable Information of Manual Volvo Kad32p
 - Fact-Checking eBook Content of Manual Volvo Kad32p

- Distinguishing Credible Sources
13. Promoting Lifelong Learning
 - Utilizing eBooks for Skill Development
 - Exploring Educational eBooks
 14. Embracing eBook Trends
 - Integration of Multimedia Elements
 - Interactive and Gamified eBooks

Manual Volvo Kad32p Introduction

In today's digital age, the availability of Manual Volvo Kad32p books and manuals for download has revolutionized the way we access information. Gone are the days of physically flipping through pages and carrying heavy textbooks or manuals. With just a few clicks, we can now access a wealth of knowledge from the comfort of our own homes or on the go. This article will explore the advantages of Manual Volvo Kad32p books and manuals for download, along with some popular platforms that offer these resources. One of the significant advantages of Manual Volvo Kad32p books and manuals for download is the cost-saving aspect. Traditional books and manuals can be costly, especially if you need to purchase several of them for educational or professional purposes. By accessing Manual Volvo Kad32p versions, you eliminate the need to spend money on physical copies. This not only saves you money but also reduces the environmental impact associated with book production and transportation. Furthermore, Manual Volvo Kad32p books and manuals for download are incredibly convenient. With just a computer or smartphone and an internet connection, you can access a vast library of resources on any subject imaginable. Whether you're a student looking for textbooks, a professional seeking industry-specific manuals, or someone interested in self-improvement, these digital resources provide an efficient and accessible means of acquiring knowledge. Moreover, PDF books and manuals offer a range of benefits compared to other digital formats. PDF files are designed to retain their formatting regardless of the device used to open them. This ensures that the content appears exactly as intended by the author, with no loss of formatting or missing graphics. Additionally, PDF files can be easily annotated, bookmarked, and searched for specific terms, making them highly practical for studying or referencing. When it comes to accessing Manual Volvo Kad32p books and manuals, several platforms offer an extensive collection of resources. One such platform is Project Gutenberg, a nonprofit organization that provides over 60,000 free eBooks. These books are primarily in the public domain, meaning they can be freely distributed and downloaded. Project Gutenberg offers a wide range of classic literature, making it an excellent resource for literature enthusiasts. Another popular platform for Manual Volvo Kad32p books and manuals is Open Library. Open Library is an initiative of the Internet Archive, a non-profit organization dedicated to digitizing cultural

artifacts and making them accessible to the public. Open Library hosts millions of books, including both public domain works and contemporary titles. It also allows users to borrow digital copies of certain books for a limited period, similar to a library lending system. Additionally, many universities and educational institutions have their own digital libraries that provide free access to PDF books and manuals. These libraries often offer academic texts, research papers, and technical manuals, making them invaluable resources for students and researchers. Some notable examples include MIT OpenCourseWare, which offers free access to course materials from the Massachusetts Institute of Technology, and the Digital Public Library of America, which provides a vast collection of digitized books and historical documents. In conclusion, Manual Volvo Kad32p books and manuals for download have transformed the way we access information. They provide a cost-effective and convenient means of acquiring knowledge, offering the ability to access a vast library of resources at our fingertips. With platforms like Project Gutenberg, Open Library, and various digital libraries offered by educational institutions, we have access to an ever-expanding collection of books and manuals. Whether for educational, professional, or personal purposes, these digital resources serve as valuable tools for continuous learning and self-improvement. So why not take advantage of the vast world of Manual Volvo Kad32p books and manuals for download and embark on your journey of knowledge?

FAQs About Manual Volvo Kad32p Books

How do I know which eBook platform is the best for me? Finding the best eBook platform depends on your reading preferences and device compatibility. Research different platforms, read user reviews, and explore their features before making a choice. Are free eBooks of good quality? Yes, many reputable platforms offer high-quality free eBooks, including classics and public domain works. However, make sure to verify the source to ensure the eBook credibility. Can I read eBooks without an eReader? Absolutely! Most eBook platforms offer web-based readers or mobile apps that allow you to read eBooks on your computer, tablet, or smartphone. How do I avoid digital eye strain while reading eBooks? To prevent digital eye strain, take regular breaks, adjust the font size and background color, and ensure proper lighting while reading eBooks. What the advantage of interactive eBooks? Interactive eBooks incorporate multimedia elements, quizzes, and activities, enhancing the reader engagement and providing a more immersive learning experience. Manual Volvo Kad32p is one of the best book in our library for free trial. We provide copy of Manual Volvo Kad32p in digital format, so the resources that you find are reliable. There are also many Ebooks of related with Manual Volvo Kad32p. Where to download Manual Volvo Kad32p online for free? Are you looking for Manual Volvo Kad32p PDF? This is definitely going to save you time and cash in something you should think about.

Find Manual Volvo Kad32p :

ged science practice

german cooking book

geometry 1.2 practice a

gabor mate the body keeps the score

gallup access app

gen chem review

gaap vs stat accounting

going deep with plate tectonics answer key

georgia practice real estate exam

geometry review answer key

geometric mean of 2 and 8

god's promises for graduates

geometry chapter 12 test

giant crested gecko

general relativity for mathematicians

Manual Volvo Kad32p :