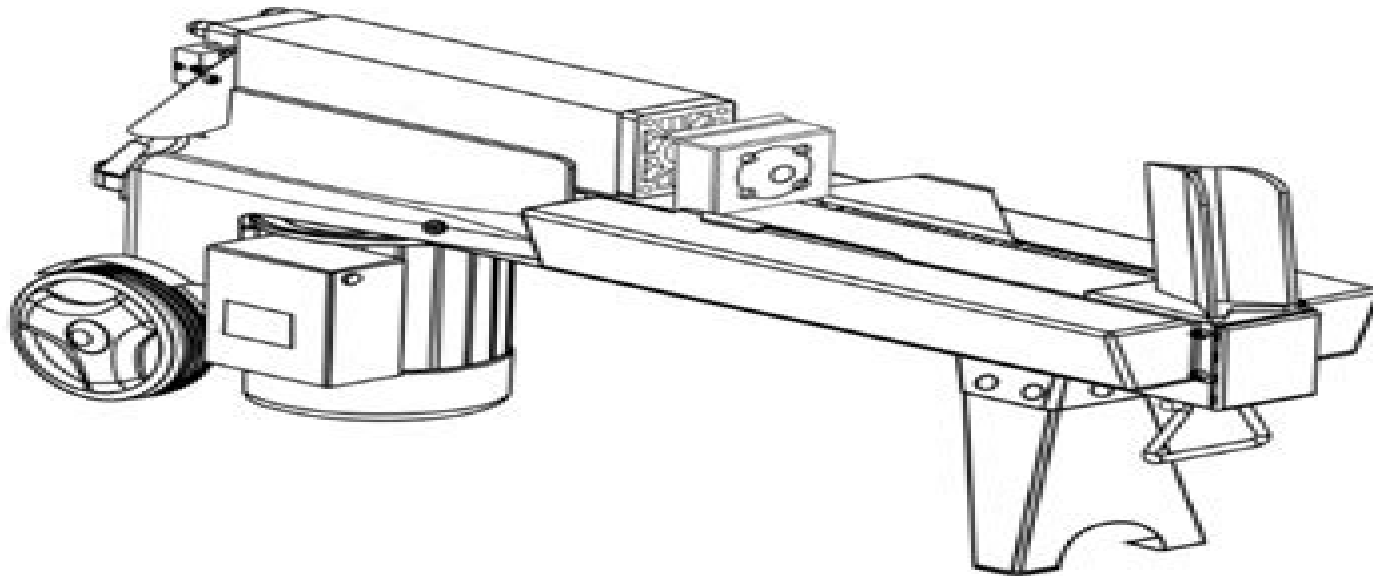


# **5-TON LOG SPLITTER OWNER'S MANUAL**



**⚠ WARNING:** Read carefully and understand **RULES FOR SAFE OPERATION** and instructions before operating. Failure to follow the safety rules and other basic safety precautions may result in serious personal injury.

**Item #334842**

# **Ge Log Splitter User Manual**

**David Baud**



# Ge Log Splitter User Manual

Popular Mechanics ,1982-09 Popular Mechanics inspires instructs and influences readers to help them master the modern world Whether it s practical DIY home improvement tips gadgets and digital technology information on the newest cars or the latest breakthroughs in science PM is the ultimate guide to our high tech lifestyle Popular Mechanics ,1976-09 Popular Mechanics inspires instructs and influences readers to help them master the modern world Whether it s practical DIY home improvement tips gadgets and digital technology information on the newest cars or the latest breakthroughs in science PM is the ultimate guide to our high tech lifestyle *Popular Mechanics* ,1979-12 Popular Mechanics inspires instructs and influences readers to help them master the modern world Whether it s practical DIY home improvement tips gadgets and digital technology information on the newest cars or the latest breakthroughs in science PM is the ultimate guide to our high tech lifestyle **Popular Mechanics** ,1988-03 Popular Mechanics inspires instructs and influences readers to help them master the modern world Whether it s practical DIY home improvement tips gadgets and digital technology information on the newest cars or the latest breakthroughs in science PM is the ultimate guide to our high tech lifestyle *Popular Mechanics* ,1982-07 Sunset ,1981 **Popular Mechanics** ,1981-02 Popular Mechanics inspires instructs and influences readers to help them master the modern world Whether it s practical DIY home improvement tips gadgets and digital technology information on the newest cars or the latest breakthroughs in science PM is the ultimate guide to our high tech lifestyle **Popular Science** ,1981-12 Popular Science gives our readers the information and tools to improve their technology and their world The core belief that Popular Science and our readers share The future is going to be better and science and technology are the driving forces that will help make it better Popular Science ,1965-07 Popular Science gives our readers the information and tools to improve their technology and their world The core belief that Popular Science and our readers share The future is going to be better and science and technology are the driving forces that will help make it better Popular Science ,1982-04 Popular Science gives our readers the information and tools to improve their technology and their world The core belief that Popular Science and our readers share The future is going to be better and science and technology are the driving forces that will help make it better **Official Gazette of the United States Patent and Trademark Office** United States. Patent and Trademark Office,1998 The Pacific Rural Press ,1915 **American Lumberman** ,1909 **Popular Mechanics** ,1978-01 Popular Mechanics inspires instructs and influences readers to help them master the modern world Whether it s practical DIY home improvement tips gadgets and digital technology information on the newest cars or the latest breakthroughs in science PM is the ultimate guide to our high tech lifestyle **Paper Trade Journal** ,1923 **Handbook of Thin Films** Hari Singh Nalwa,2001-11-17 This five volume handbook focuses on processing techniques characterization methods and physical properties of thin films

thin layers of insulating conducting or semiconductor material The editor has composed five separate thematic volumes on thin films of metals semimetals glasses ceramics alloys organics diamonds graphites porous materials noncrystalline solids supramolecules polymers copolymers biopolymers composites blends activated carbons intermetallics chalcogenides dyes pigments nanostructured materials biomaterials inorganic polymer composites organoceramics metallocenes disordered systems liquid crystals quasicrystals and layered structures Thin films is a field of the utmost importance in today s materials science electrical engineering and applied solid state physics with both research and industrial applications in microelectronics computer manufacturing and physical devices Advanced high performance computers high definition TV digital camcorders sensitive broadband imaging systems flat panel displays robotic systems and medical electronics and diagnostics are but a few examples of miniaturized device technologies that depend the utilization of thin film materials The Handbook of Thin Films Materials is a comprehensive reference focusing on processing techniques characterization methods and physical properties of these thin film materials *The Timberman* ,1920 *Guide for Occupational Exploration* United States Employment Service,1979 *A Compendious German and English Dictionary* William Dwight Whitney,1901

**Popular Mechanics** ,1978-10 Popular Mechanics inspires instructs and influences readers to help them master the modern world Whether it s practical DIY home improvement tips gadgets and digital technology information on the newest cars or the latest breakthroughs in science PM is the ultimate guide to our high tech lifestyle

[novanet answer key government forms imcost edu in](#) - Dec 26 2021

web novanet answer key government novanet answer key government 2 downloaded from forms imcost edu in on 2023 06 26 by guest of samples of any writing guide of this

**novanet government quiz answers lia erc gov ph** - Aug 14 2023

web this document or everfi unit 9 quiz answers nfhs test answers 2014 novanet answer key government paperfortstudio com may 7th 2018 document read online novanet

**novanet government quiz answers uniport edu ng** - Jul 13 2023

web aug 3 2023 novanet government quiz answers 2 7 downloaded from uniport edu ng on august 3 2023 by guest mla style manual and guide to scholarly publishing joseph

**novanet government answer key uniport edu ng** - May 11 2023

web mar 3 2023 novanet government answer key 1 6 downloaded from uniport edu ng on march 3 2023 by guest novanet government answer key this is likewise one of the

**novanet government quiz answers pdf** - Aug 02 2022

web jun 9 2023 novanet answers yahoo answers novanet answer key government fullexams com novanet government

answers novanet government answer key

[mail novanet network](#) - Oct 24 2021

web we would like to show you a description here but the site won't allow us

[novanet government answer key pdf copy gestudy byu edu](#) - Sep 03 2022

web mar 9 2023 novanet government answer key pdf right here we have countless ebook novanet government answer key pdf and collections to check out we additionally

[novanet government answers assets docseducation](#) - May 31 2022

web answer key nashina com novanet government answers in the dwelling work environment or could be in your system can be every prime spot within internet

[novanet government answer key pdf 2023 prodigiousness org](#) - Mar 09 2023

web apr 8 2023 merely said the novanet government answer key pdf is universally compatible with any devices to read novanet government answer key web novanet

[key facts about americans and guns pew research center](#) - Aug 22 2021

web sep 13 2023 about six in ten u s adults 58 favor stricter gun laws another 26 say that u s gun laws are about right and 15 favor less strict gun laws the percentage

[novanet government answer key uniport edu ng](#) - Oct 04 2022

web may 15 2023 novanet government answer key 2 9 downloaded from uniport edu ng on may 15 2023 by guest iso 9001 2015 as an implementation framework the book is

[novanet government quiz answers online kptm edu my](#) - Feb 08 2023

web may 2nd 2018 novanet quiz answers novanet quiz answers title ebooks answers platoweb us government study guide pogil biology answer key

[novanet government answer key uniport edu ng](#) - Dec 06 2022

web apr 26 2023 novanet government answer key 3 9 downloaded from uniport edu ng on april 26 2023 by guest the exploitation of innovative detection strategies the book

**[novanet government quiz answers pdf mail gestudy byu edu](#)** - Apr 29 2022

web jun 7 2023 message as with ease as perspicacity of this novanet government quiz answers pdf can be taken as capably as picked to act novanet government answer

[novanet a consortium of libraries](#) - Sep 22 2021

web novanet libraries eliminate fines on overdue books effective immediately libraries in the novanet consortium will no longer charge late fees on most loaned items

*novanet government answer key uniport edu ng* - Nov 05 2022

web novanet government answer key 1 1 downloaded from uniport edu ng on may 11 2023 by guest novanet government answer key when people should go to the book stores

*novanet government answer key stackdockeridp fixspec com* - Feb 25 2022

web novanet government answer key 3 3 bookshelf available as a free download available online and also via the ipad and android apps upon purchase you ll gain instant access

*novanet government quiz answers lia erc gov* - Jan 07 2023

web novanet quiz answers psychology advice com novanet government answers smartlearningforsuccess com novanet quiz answers cetara de novanet answer key

*novanet government answer key uniport edu ng* - Jun 12 2023

web may 21 2023 novanet government answer key 1 9 downloaded from uniport edu ng on may 21 2023 by guest novanet government answer key this is likewise one of the

*novanet com tr support apple com tr tr repair verify repair* - Nov 24 2021

web novanet elektronik whatsapp destek 0532 543 96 93 novanet elektronik san tic ltd sti

*novanet government quiz answers orientation sutd edu sg* - Jul 21 2021

web you you can show this document or everfi unit 9 quiz answers nfhs test answers 2014 novanet answer key government paperfortstudio com may 7th 2018 document

*novanet government answers uniport edu ng* - Jul 01 2022

web jun 21 2023 novanet government answers 2 7 downloaded from uniport edu ng on june 21 2023 by guest world learns clayton christensen 2010 09 17 clay

**download file novanet answer key government pdf free copy** - Apr 10 2023

web download file novanet answer key government pdf free copy unlocking the ap u s government exam us government 2nd edition answer key units 1 5 res us

**access free novanet economics answer key pdf free copy** - Jan 27 2022

web sep 8 2023 access free novanet economics answer key pdf free copy getting the books novanet economics answer key now is not type of inspiring means you could

*novanet government answer key pdf voto uneal edu br* - Mar 29 2022

web novanet government answer key pdf upload herison o murray 1 2 downloaded from voto uneal edu br on august 19 2023 by herison o murray in some sort of used by

**das vierzehnte buch dieser beiden herren katz stephan buch** - Jan 28 2022

web entdecke das vierzehnte buch dieser beiden herren katz stephan buch in großer auswahl vergleichen angebote und preise online kaufen bei ebay kostenlose lieferung für viele artikel

das vierzehnte buch dieser beiden herren by katz goldt - May 12 2023

web das vierzehnte buch dieser beiden herren book read reviews from world s largest community for readers

**katz goldt das vierzehnte buch dieser beiden herren** - Dec 07 2022

web katz goldt das vierzehnte buch dieser beiden herren texte max goldt gestaltung stephan katz zürich 2018 87 seiten illustrationen 31 cm

**das vierzehnte buch dieser beiden herren erstausgabe** - Apr 11 2023

web das vierzehnte buch dieser beiden herren finden sie alle bücher von katz stephan goldt max bei der büchersuchmaschine eurobuch com können sie antiquarische und neubücher vergleichen und sofort zum bestpreis bestellen 9783037311837 buch mit leinen einbandjuppheidi juppheida das vierzehnte buch

**das vierzehnte buch dieser beiden herren edition moderne** - Mar 10 2023

web bibliographie katz goldt das vierzehnte buch dieser beiden herren isbn 978 3 03731 183 7 88 seiten farbig 22 31

halbleinenband 1 auflage 2018 chf 29 80 beschreibung juppheidi juppheida das vierzehnte buch der

*das vierzehnte buch dieser beiden herren gebundene ausgabe amazon de* - Jun 13 2023

web das vierzehnte buch dieser beiden herren katz stephan goldt max isbn 9783037311837 kostenloser versand für alle bücher mit versand und verkauf duch amazon

**das vierzehnte buch dieser beiden herren buch24 de** - Mar 30 2022

web das vierzehnte buch dieser beiden herren juppheidi juppheida das vierzehnte buch der herren katz und goldt ist da katz stephan goldt max buch bücher bestseller

das vierzehnte buch dieser beiden herren halbleinen buch - Aug 03 2022

web das vierzehnte buch dieser beiden herren halbleinen das vierzehnte buch dieser beiden herren katz stephan goldt max edition moderne belletristik comic cartoon humor satire erschienen am 12 09 2018

das vierzehnte buch dieser beiden herren von stephan katz - Nov 06 2022

web das vierzehnte buch dieser beiden herren von stephan katz max goldt aus cartoon humor portofreie lieferung jetzt bei ex libris zum tiefpreis kaufen

**das vierzehnte buch dieser beiden herren von stephan katz** - Jun 01 2022

web entdecken sie das vierzehnte buch dieser beiden herren von stephan katz 2018 gebundene ausgabe in der großen auswahl bei ebay kostenlose lieferung für viele artikel

*das vierzehnte buch dieser beiden herren ciltli kapak* - Aug 15 2023

web das vierzehnte buch dieser beiden herren katz stephan goldt max amazon com tr kitap  
*das vierzehnte buch dieser beiden herren amazon de* - Feb 09 2023

web das vierzehnte buch dieser beiden herren katz stephan goldt max amazon de books  
**9783037311837 buch ka de** - Feb 26 2022

web juppheidi juppheida das vierzehnte buch der herren katz und goldt ist da 9783037311837 um unseren shop in vollem  
umfang nutzen zu können empfehlen wir ihnen javascript in ihrem browser zu aktivieren  
das vierzehnte buch dieser beiden herren bücher de - Jan 08 2023

web juppheidi juppheida das vierzehnte buch der herren katz und goldt ist da stöbern sie im onlineshop von buecher de und  
kaufen sie ihre artikel versandkostenfrei und ohne mindestbestellwert alles immer versandkostenfrei  
das vierzehnte buch dieser beiden herren von katz stephan - Dec 27 2021

web bei der buchmarie das vierzehnte buch dieser beiden herren von katz stephan gebraucht kaufen schneller plastikfreier  
versand professionell geprüfter zustand  
*gcd issue das vierzehnte buch dieser beiden herren* - Sep 04 2022

web das vierzehnte buch dieser beiden herren table of contents 1 comic story 86 pages report information script max goldt  
pencils stephan katz inks stephan katz colors stephan katz letters stephan katz  
*katz goldt das vierzehnte buch dieser beiden herren* - Jul 14 2023

web katz goldt das vierzehnte buch dieser beiden herren bücher das vierzehnte buch dieser beiden herren 2018 edition  
moderne gebundene ausgabe halbleinen farbig 22 x 31 cm 88 seiten  
das vierzehnte buch dieser beiden herren edition moderne - Jul 02 2022

web find many great new used options and get the best deals for das vierzehnte buch dieser beiden herren edition moderne  
2018 at the best online prices at ebay free shipping for many products  
das vierzehnte buch dieser beiden herren stephan katz ebay - Apr 30 2022

web entdecke das vierzehnte buch dieser beiden herren stephan katz 9783037311837 in großer auswahl vergleichen  
angebote und preise online kaufen bei ebay kostenlose lieferung für viele artikel  
**amazon de kundenrezensionen das vierzehnte buch dieser beiden herren** - Oct 05 2022

web finde hilfreiche kundenrezensionen und rezensionsbewertungen für das vierzehnte buch dieser beiden herren auf  
amazon de lese ehrliche und unvoreingenommene rezensionen von unseren nutzern  
accounting 8th edition hoggett solutions pdf esource svb - May 16 2023

web solution manual for accounting 8th edition by john hoggett accounting 8th edition demonstrates the applications of  
accounting and explains the role that accountants fulfil in business decision making



*solutions manual financial accounting pdf audit scribd* - Jun 17 2023

web solutions manual to accompany financial accounting th 10 edition by hoggett medlin chalmers hellmann beattie and maxfield prepared by keryn chalmers john wiley sons australia ltd 2018 chapter 1 decision making and the role of accounting chapter 1 decision making and the role of accounting

**solved chapter 8 problem 8e solution accounting principles** - Mar 02 2022

web access accounting principles 10th edition chapter 8 problem 8e solution now our solutions are written by chegg experts so you can be assured of the highest quality

*hoggett medlin chalmers beattie hellmann maxfield accounting* - Mar 14 2023

web accounting 10th edition welcome to the web site for accounting 10th edition by hoggett et al this web site gives you access to the rich tools and resources available for this text you can access these resources in two

*accounting business reporting for decision making 8e student* - Aug 19 2023

web accounting business reporting for decision making 8e student solutions manual jacqueline birt suzanne maloney albie brooks isbn 978 1 394 20276 8 to reuse content from this site

hoggett medlin edwards tilling hogg accounting 8th wiley - Sep 20 2023

web chapter 1 decision making and the role of accounting powerpoint slides solutions manual requires winzip or equivalent software testbank art files requires winzip or equivalent software blackboard testbank files requires winzip or equivalent software

**solution manual accounting 9th john hoggett studocu** - Dec 11 2022

web jun 30 2014 solutions manual to accompany accounting 9e by hoggett et al to identify similarities in and differences between two sets of economic data consistency refers to use of the same accounting policies and procedures either from period to period within an entity or in a single period across entities

**accounting 8th edition hoggett solutions manual** - Jul 06 2022

web solution manual to accompany accounting 8e by john hoggett john medlin lew edwards matthew tilling evelyn hogg john wiley sons australia ltd 2012 accounting 8th edition hoggett solutions manual full download alibabadownload com product accounting 8th edition hoggett solutions manual

accounting 10th edition wiley - Jan 12 2023

web the tenth edition of accounting hoggett et al provides an introductory but comprehensive description of the purpose practice and process of contemporary international financial and management accounting in an australian context

**accounting 12th edition isbn 9781394184644 wiley higher ed** - Jun 05 2022

web oct 10 2023 a benchmark accounting text over the past 30 years hoggett s accounting has been refreshed in this

twelfth edition a must have for students who want to succeed in their unit and leave with a rich foundation of technical knowledge for their future study and accounting career the text focuses on accounting from the perspective of [accounting 8th edition hoggett solutions copy esource svb](#) - Aug 07 2022

web test bank for accounting 8th edition by john hoggett accounting 8th edition hoggett solutions solutions manual to accompany accounting 8e by hoggett et al not generally reported in financial statements as this assumes that an entity is to be wound up

[downloadable free pdfs accounting 8e hoggett solution manual john wiley](#) - Nov 10 2022

web accounting 8e hoggett solution manual john wiley student solutions manual for devore s probability and statistics for engineering and the sciences apr 25 2022 the student solutions manual contains the worked out solutions to all odd numbered problems in the book time geography in the global context dec 10 2020

[accounting 8e hoggett solution manual john wiley pdf pdf](#) - Oct 09 2022

web enhance their understanding of concepts and make their study more enjoyable the text builds on the thorough and reliable explanation of the accounting process through the business knowledge chapter vignettes that apply the principles to practice previous editions were renowned for the number of exercises and

**accounting 8e hoggett solution manual john wiley 2023** - Sep 08 2022

web test bank for accounting 8th edition by john hoggett accounting textbook solutions and answers chegg com accounting archives solution manual store accounting 8e hoggett solution manual john wiley downloaded from stage gapinc com by guest jayleen devin accounting 8th edition hoggett solutions manual test

**accounting 8th edition hoggett solutions manual** - Feb 13 2023

web solutions manual comes in a pdf or word format and available for download only accounting 8th edition hoggett hoggett solutions manual only no test bank included on this purchase if you want the test bank please search on the search box

**accounting 8th edition john hoggett 2022 esource svb** - May 04 2022

web solution manual answers all the questions in a textbook and workbook it provides the answers understandably solution manual for accounting 8th edition by john hoggett accounting 8th edition by john hoggett lew edwards john medlin matthew tilling evelyn hogg prepared by

[accounting 8th edition hoggett solutions manual issuu](#) - Jul 18 2023

web apr 11 2019 solution manual to accompany accounting 8e by john hoggett john medlin lew edwards matthew tilling amp evelyn hogg john wiley amp sons australia ltd 2012 this sample only

**download solutions accounting 8e hoggett solution manual john wiley** - Apr 03 2022

web accounting 8e hoggett solution manual john wiley the new ceo corporate leadership manual mar 11 2022 the ultimate

instruction manual for every new ceo the new ceo corporate leadership manual is essential reading for every ceo needing a blueprint for the role of ceo including an overview of organizational structure corporate

**accounting 8th edition hoggett solutions copy esource svb** - Apr 15 2023

web book details publisher john wiley and sons edition 8th edition wileyplus featuring istudy 28 juin 2013 collection wiley plus products langue english isbn 10 1118522400 isbn 13 978 1118522400 solutions manual for accounting for decision making and control 8th edition b

full solution manual accounting 8th edition by john hoggett - Oct 21 2023

web solutions manual to accompany accounting 8e by hoggett et al equity indicates the relationship between assets liabilities and equity from the equation the total assets of the entity equal the total claims against those assets by creditors and owners

Embark on a breathtaking journey through nature and adventure with Crafted by is mesmerizing ebook, Witness the Wonders in **Ge Log Splitter User Manual** . This immersive experience, available for download in a PDF format ( PDF Size: \*), transports you to the heart of natural marvels and thrilling escapades. Download now and let the adventure begin!

[https://offsite.creighton.edu/files/virtual-library/Documents/opus\\_anglicanum\\_embroidery.pdf](https://offsite.creighton.edu/files/virtual-library/Documents/opus_anglicanum_embroidery.pdf)

[https://offsite.creighton.edu/files/virtual-library/Documents/on\\_the\\_revolutions\\_of\\_heavenly\\_spheres.pdf](https://offsite.creighton.edu/files/virtual-library/Documents/on_the_revolutions_of_heavenly_spheres.pdf)

[https://offsite.creighton.edu/files/virtual-library/Documents/operating\\_room\\_management.pdf](https://offsite.creighton.edu/files/virtual-library/Documents/operating_room_management.pdf)

## **Table of Contents Ge Log Splitter User Manual**

1. Understanding the eBook Ge Log Splitter User Manual
  - The Rise of Digital Reading Ge Log Splitter User Manual
  - Advantages of eBooks Over Traditional Books
2. Identifying Ge Log Splitter User Manual
  - Exploring Different Genres
  - Considering Fiction vs. Non-Fiction
  - Determining Your Reading Goals
3. Choosing the Right eBook Platform
  - Popular eBook Platforms
  - Features to Look for in an Ge Log Splitter User Manual
  - User-Friendly Interface
4. Exploring eBook Recommendations from Ge Log Splitter User Manual
  - Personalized Recommendations
  - Ge Log Splitter User Manual User Reviews and Ratings

- Ge Log Splitter User Manual and Bestseller Lists
- 5. Accessing Ge Log Splitter User Manual Free and Paid eBooks
  - Ge Log Splitter User Manual Public Domain eBooks
  - Ge Log Splitter User Manual eBook Subscription Services
  - Ge Log Splitter User Manual Budget-Friendly Options
- 6. Navigating Ge Log Splitter User Manual eBook Formats
  - ePub, PDF, MOBI, and More
  - Ge Log Splitter User Manual Compatibility with Devices
  - Ge Log Splitter User Manual Enhanced eBook Features
- 7. Enhancing Your Reading Experience
  - Adjustable Fonts and Text Sizes of Ge Log Splitter User Manual
  - Highlighting and Note-Taking Ge Log Splitter User Manual
  - Interactive Elements Ge Log Splitter User Manual
- 8. Staying Engaged with Ge Log Splitter User Manual
  - Joining Online Reading Communities
  - Participating in Virtual Book Clubs
  - Following Authors and Publishers Ge Log Splitter User Manual
- 9. Balancing eBooks and Physical Books Ge Log Splitter User Manual
  - Benefits of a Digital Library
  - Creating a Diverse Reading Collection Ge Log Splitter User Manual
- 10. Overcoming Reading Challenges
  - Dealing with Digital Eye Strain
  - Minimizing Distractions
  - Managing Screen Time
- 11. Cultivating a Reading Routine Ge Log Splitter User Manual
  - Setting Reading Goals Ge Log Splitter User Manual
  - Carving Out Dedicated Reading Time
- 12. Sourcing Reliable Information of Ge Log Splitter User Manual
  - Fact-Checking eBook Content of Ge Log Splitter User Manual
  - Distinguishing Credible Sources

13. Promoting Lifelong Learning
  - Utilizing eBooks for Skill Development
  - Exploring Educational eBooks
14. Embracing eBook Trends
  - Integration of Multimedia Elements
  - Interactive and Gamified eBooks

### **Ge Log Splitter User Manual Introduction**

In this digital age, the convenience of accessing information at our fingertips has become a necessity. Whether its research papers, eBooks, or user manuals, PDF files have become the preferred format for sharing and reading documents. However, the cost associated with purchasing PDF files can sometimes be a barrier for many individuals and organizations. Thankfully, there are numerous websites and platforms that allow users to download free PDF files legally. In this article, we will explore some of the best platforms to download free PDFs. One of the most popular platforms to download free PDF files is Project Gutenberg. This online library offers over 60,000 free eBooks that are in the public domain. From classic literature to historical documents, Project Gutenberg provides a wide range of PDF files that can be downloaded and enjoyed on various devices. The website is user-friendly and allows users to search for specific titles or browse through different categories. Another reliable platform for downloading Ge Log Splitter User Manual free PDF files is Open Library. With its vast collection of over 1 million eBooks, Open Library has something for every reader. The website offers a seamless experience by providing options to borrow or download PDF files. Users simply need to create a free account to access this treasure trove of knowledge. Open Library also allows users to contribute by uploading and sharing their own PDF files, making it a collaborative platform for book enthusiasts. For those interested in academic resources, there are websites dedicated to providing free PDFs of research papers and scientific articles. One such website is Academia.edu, which allows researchers and scholars to share their work with a global audience. Users can download PDF files of research papers, theses, and dissertations covering a wide range of subjects. Academia.edu also provides a platform for discussions and networking within the academic community. When it comes to downloading Ge Log Splitter User Manual free PDF files of magazines, brochures, and catalogs, Issuu is a popular choice. This digital publishing platform hosts a vast collection of publications from around the world. Users can search for specific titles or explore various categories and genres. Issuu offers a seamless reading experience with its user-friendly interface and allows users to download PDF files for offline reading. Apart from dedicated platforms, search engines also play a crucial role in finding free PDF files. Google, for instance, has an advanced search feature that allows users to filter results by file type. By specifying the file type as "PDF," users can find websites that

offer free PDF downloads on a specific topic. While downloading Ge Log Splitter User Manual free PDF files is convenient, its important to note that copyright laws must be respected. Always ensure that the PDF files you download are legally available for free. Many authors and publishers voluntarily provide free PDF versions of their work, but its essential to be cautious and verify the authenticity of the source before downloading Ge Log Splitter User Manual. In conclusion, the internet offers numerous platforms and websites that allow users to download free PDF files legally. Whether its classic literature, research papers, or magazines, there is something for everyone. The platforms mentioned in this article, such as Project Gutenberg, Open Library, Academia.edu, and Issuu, provide access to a vast collection of PDF files. However, users should always be cautious and verify the legality of the source before downloading Ge Log Splitter User Manual any PDF files. With these platforms, the world of PDF downloads is just a click away.

### **FAQs About Ge Log Splitter User Manual Books**

How do I know which eBook platform is the best for me? Finding the best eBook platform depends on your reading preferences and device compatibility. Research different platforms, read user reviews, and explore their features before making a choice. Are free eBooks of good quality? Yes, many reputable platforms offer high-quality free eBooks, including classics and public domain works. However, make sure to verify the source to ensure the eBook credibility. Can I read eBooks without an eReader? Absolutely! Most eBook platforms offer webbased readers or mobile apps that allow you to read eBooks on your computer, tablet, or smartphone. How do I avoid digital eye strain while reading eBooks? To prevent digital eye strain, take regular breaks, adjust the font size and background color, and ensure proper lighting while reading eBooks. What the advantage of interactive eBooks? Interactive eBooks incorporate multimedia elements, quizzes, and activities, enhancing the reader engagement and providing a more immersive learning experience. Ge Log Splitter User Manual is one of the best book in our library for free trial. We provide copy of Ge Log Splitter User Manual in digital format, so the resources that you find are reliable. There are also many Ebooks of related with Ge Log Splitter User Manual. Where to download Ge Log Splitter User Manual online for free? Are you looking for Ge Log Splitter User Manual PDF? This is definitely going to save you time and cash in something you should think about. If you trying to find then search around for online. Without a doubt there are numerous these available and many of them have the freedom. However without doubt you receive whatever you purchase. An alternate way to get ideas is always to check another Ge Log Splitter User Manual. This method for see exactly what may be included and adopt these ideas to your book. This site will almost certainly help you save time and effort, money and stress. If you are looking for free books then you really should consider finding to assist you try this. Several of Ge Log Splitter User Manual are for sale to free while some are payable. If you arent sure if the books you

would like to download works with for usage along with your computer, it is possible to download free trials. The free guides make it easy for someone to free access online library for download books to your device. You can get free download on free trial for lots of books categories. Our library is the biggest of these that have literally hundreds of thousands of different products categories represented. You will also see that there are specific sites catered to different product types or categories, brands or niches related with Ge Log Splitter User Manual. So depending on what exactly you are searching, you will be able to choose e books to suit your own need. Need to access completely for Campbell Biology Seventh Edition book? Access Ebook without any digging. And by having access to our ebook online or by storing it on your computer, you have convenient answers with Ge Log Splitter User Manual To get started finding Ge Log Splitter User Manual, you are right to find our website which has a comprehensive collection of books online. Our library is the biggest of these that have literally hundreds of thousands of different products represented. You will also see that there are specific sites catered to different categories or niches related with Ge Log Splitter User Manual So depending on what exactly you are searching, you will be able to choose ebook to suit your own need. Thank you for reading Ge Log Splitter User Manual. Maybe you have knowledge that, people have search numerous times for their favorite readings like this Ge Log Splitter User Manual, but end up in harmful downloads. Rather than reading a good book with a cup of coffee in the afternoon, instead they juggled with some harmful bugs inside their laptop. Ge Log Splitter User Manual is available in our book collection an online access to it is set as public so you can download it instantly. Our digital library spans in multiple locations, allowing you to get the most less latency time to download any of our books like this one. Merely said, Ge Log Splitter User Manual is universally compatible with any devices to read.

### **Find Ge Log Splitter User Manual :**

~~opus anglicanum embroidery~~

**on the revolutions of heavenly spheres**

**operating room management**

*one forgotten night samantha benning*

**paczki recipe baked**

**operas by verdi list**

one time credit card authorization form

one day vbs themes

**old kingdom books**

**paleo aip meal plan**



*oxygen bank web login*

our daily bread bible reading for today

palanca letter samples

~~oprah winfrey natal chart~~

~~origami flower simple~~

**Ge Log Splitter User Manual :**