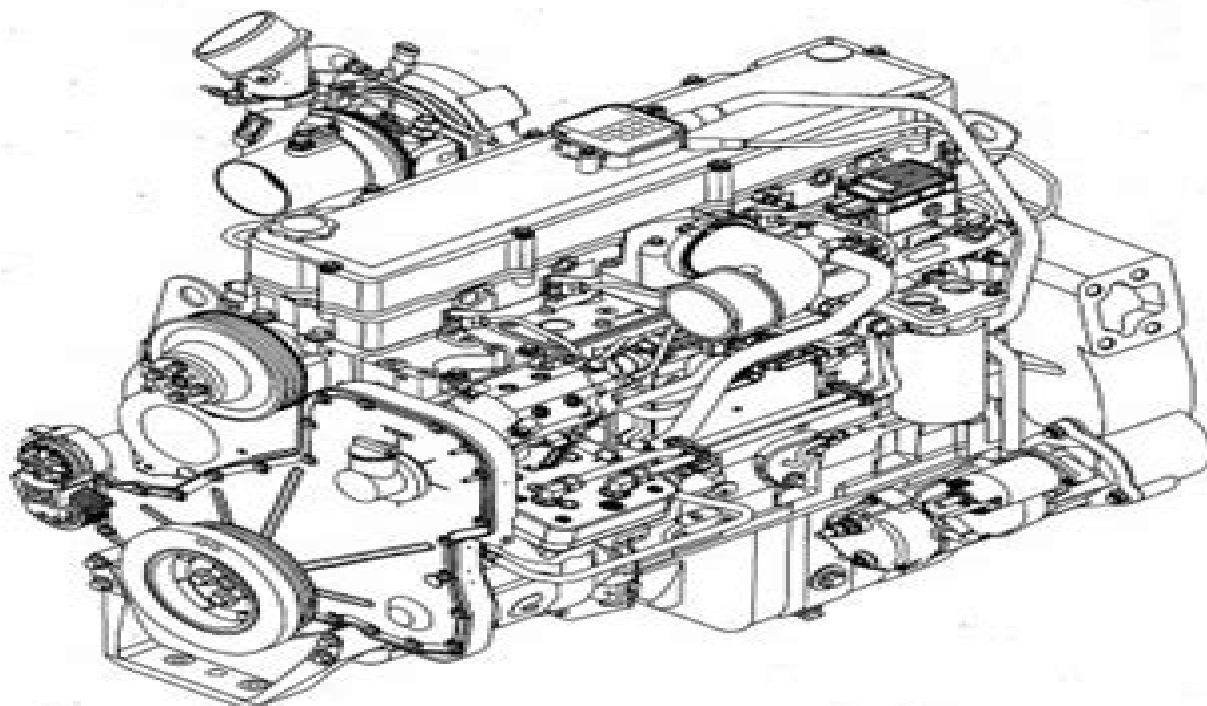




# Troubleshooting and Repair Manual ISC, ISC<sup>®</sup>, QSC8.3, ISL and QSL9 Engines

Open front screen



Copyright© 2003  
Cummins Inc.  
All rights reserved

Bulletin 4021-418-00  
Printed 12/03

# **L99 Engine Free Repair Manual**

**G Orfield**



# L99 Engine Free Repair Manual

Repair Manual Ford Motor Company. Service Department,1947      **Snowmobile Service Manual** Intertec Publishing Corporation. Technical Publications Division,1971      **1986 Chevy LD Truck Unit Repair Manual** GM Corporation,2020-05-10 This 1986 Chevy LD Truck Unit Repair Manual is a high quality licensed PRINT reproduction of the service manual authored by General Motors Corporation and published by Detroit Iron This OEM factory manual is 8 5 x 11 inches paperback bound shrink wrapped and contains 832 pages of comprehensive mechanical instructions with detailed diagrams photos and specifications for the mechanical components of your vehicle such as the engine transmission suspension brakes fuel exhaust steering electrical and drive line Service repair manuals were originally written by the automotive manufacturer to be used by their dealership mechanics The following 1986 Chevrolet models are covered C10 C10 Suburban C20 C20 Suburban C30 K10 K10 Suburban K20 K20 Suburban K30 K5 Blazer Astro G10 G20 G30 P20 P30 S10 S10 Blazer This factory written Detroit Iron shop manual is perfect for the restorer or anyone working on one of these vehicles      *Chevrolet Engine Service Manual for 'C and E' Series Bedford ,197?*      **1993 Chevrolet Light Duty Truck Fuel & Emissions Service Manual** GM Corporation,2020-05-10 This 1993 Chevrolet Light Duty Truck Fuel Emissions Service Manual is a high quality licensed PRINT reproduction of the service manual authored by General Motors Corporation and published by Detroit Iron This OEM factory manual is 8 5 x 11 inches paperback bound shrink wrapped and contains 872 pages of comprehensive mechanical instructions with detailed diagrams photos and specifications for the mechanical components of your vehicle such as the engine transmission suspension brakes fuel exhaust steering electrical and drive line Service repair manuals were originally written by the automotive manufacturer to be used by their dealership mechanics The following 1993 Chevrolet models are covered Blazer C1500 C1500 Suburban C2500 C2500 Suburban C3500 K1500 K1500 Suburban K2500 K2500 Suburban K3500 S10 S10 Blazer Astro G10 G20 G30 P30 This factory written Detroit Iron shop manual is perfect for the restorer or anyone working on one of these vehicles      *1931 Chevrolet Car & Truck Repair Shop Manual* GM Corporation,2020-05-10 This 1931 Chevrolet Car Truck Repair Shop Manual is a high quality licensed PRINT reproduction of the service manual authored by General Motors Corporation and published by Detroit Iron This OEM factory manual is 8 5 x 11 inches paperback bound shrink wrapped and contains 280 pages of comprehensive mechanical instructions with detailed diagrams photos and specifications for the mechanical components of your vehicle such as the engine transmission suspension brakes fuel exhaust steering electrical and drive line Service repair manuals were originally written by the automotive manufacturer to be used by their dealership mechanics The following 1931 Chevrolet models are covered AE Independence Truck This factory written Detroit Iron shop manual is perfect for the restorer or anyone working on one of these vehicles      Motor's Auto Repair Manual ,1963      **1981 Chevrolet Car & Truck Unit Repair Manual** GM

Corporation,2020-05-10 This 1981 Chevrolet Car Truck Unit Repair Manual is a high quality licensed PRINT reproduction of the service manual authored by General Motors Corporation and published by Detroit Iron This OEM factory manual is 8 5 x 11 inches paperback bound shrink wrapped and contains 546 pages of comprehensive mechanical instructions with detailed diagrams photos and specifications for the mechanical components of your vehicle such as the engine transmission suspension brakes fuel exhaust steering electrical and drive line Service repair manuals were originally written by the automotive manufacturer to be used by their dealership mechanics The following 1981 Chevrolet models are covered Bel Air Camaro Caprice Impala Malibu Monte Carlo El Camino C10 C10 Suburban C20 C20 Suburban C30 G10 G20 G30 K10 K10 Suburban K20 K20 Suburban K5 Blazer P20 P30 K30 This factory written Detroit Iron shop manual is perfect for the restorer or anyone working on one of these vehicles **Clymer Snowmobile Service Manual 11th Edition** Penton

Staff,1991-06-01 With the help of the Clymer Snowmobile Service Manual 11th Edition in your toolbox you will be able to maintain service and repair your snowmobile to extend its life for years to come Clymer manuals are very well known for their thorough and comprehensive nature This manual is loaded with step by step procedures along with detailed photography exploded views charts and diagrams to enhance the steps associated with a service or repair task This Clymer manual is organized by subsystem with procedures grouped together for specific topics such as front suspension brake system engine and transmission It includes color wiring diagrams The language used in this Clymer repair manual is targeted toward the novice mechanic but is also very valuable for the experienced mechanic The service manual by Clymer is an authoritative piece of DIY literature and should provide you the confidence you need to get the job done and save money too

*1938 Chevrolet Car and Truck Shop Manual* GM Corporation,2020-05-10 This 1938 Chevrolet Car and Truck Shop Manual is a high quality licensed PRINT reproduction of the service manual authored by General Motors Corporation and published by Detroit Iron This OEM factory manual is 8 5 x 11 inches paperback bound shrink wrapped and contains 276 pages of comprehensive mechanical instructions with detailed diagrams photos and specifications for the mechanical components of your vehicle such as the engine transmission suspension brakes fuel exhaust steering electrical and drive line Service repair manuals were originally written by the automotive manufacturer to be used by their dealership mechanics The following 1938 Chevrolet models are covered HC HD HE Master Master Deluxe Master Truck This factory written Detroit Iron shop manual is perfect for the restorer or anyone working on one of these vehicles *1934 Chevrolet Shop Manual - Master & Standard* GM Corporation,2020-05-10 This 1934 Chevrolet Shop Manual Master Standard is a high quality licensed PRINT reproduction of the service manual authored by General Motors Corporation and published by Detroit Iron This OEM factory manual is 8 5 x 11 inches paperback bound shrink wrapped and contains 164 pages of comprehensive mechanical instructions with detailed diagrams photos and specifications for the mechanical components of your vehicle such as the engine transmission suspension brakes fuel exhaust steering electrical and drive line Service repair manuals were originally

written by the automotive manufacturer to be used by their dealership mechanics The following 1934 Chevrolet models are covered DB Master Standard This factory written Detroit Iron shop manual is perfect for the restorer or anyone working on one of these vehicles *1927 - 1928 Chevrolet Car & Truck Repair Shop Manual* GM Corporation,2020-05-10 This 1927 1928 Chevrolet Car Truck Repair Shop Manual is a high quality licensed PRINT reproduction of the service manual authored by General Motors Corporation and published by Detroit Iron This OEM factory manual is 8 5 x 11 inches paperback bound shrink wrapped and contains 272 pages of comprehensive mechanical instructions with detailed diagrams photos and specifications for the mechanical components of your vehicle such as the engine transmission suspension brakes fuel exhaust steering electrical and drive line Service repair manuals were originally written by the automotive manufacturer to be used by their dealership mechanics The following 1927 1928 Chevrolet models are covered Capitol National Capitol Truck National Truck This factory written Detroit Iron shop manual is perfect for the restorer or anyone working on one of these vehicles 1973 Chevrolet Light Duty Truck Service Manual GM Corporation,2020-05-10 This 1973 Chevrolet Light Duty Truck Service Manual is a high quality licensed PRINT reproduction of the service manual authored by General Motors Corporation and published by Detroit Iron This OEM factory manual is 8 5 x 11 inches paperback bound shrink wrapped and contains 976 pages of comprehensive mechanical instructions with detailed diagrams photos and specifications for the mechanical components of your vehicle such as the engine transmission suspension brakes fuel exhaust steering electrical and drive line Service repair manuals were originally written by the automotive manufacturer to be used by their dealership mechanics The following 1973 Chevrolet models are covered Blazer C10 Pickup C10 Suburban C20 Pickup C20 Suburban C30 Pickup G10 Van G20 Van G30 Van K10 Pickup K10 Suburban K20 Pickup K20 Suburban K30 Pickup Luv Pickup P10 Van P20 Van P30 Van This factory written Detroit Iron shop manual is perfect for the restorer or anyone working on one of these vehicles 1981 Chevrolet Light Duty Truck Service Manual GM Corporation,2020-05-10 This 1981 Chevrolet Light Duty Truck Service Manual is a high quality licensed PRINT reproduction of the service manual authored by General Motors Corporation and published by Detroit Iron This OEM factory manual is 8 5 x 11 inches paperback bound shrink wrapped and contains 1162 pages of comprehensive mechanical instructions with detailed diagrams photos and specifications for the mechanical components of your vehicle such as the engine transmission suspension brakes fuel exhaust steering electrical and drive line Service repair manuals were originally written by the automotive manufacturer to be used by their dealership mechanics The following 1981 Chevrolet models are covered C10 C10 Suburban C20 C20 Suburban C30 G10 G20 G30 K10 K10 Suburban K20 K20 Suburban K5 Blazer P20 P30 K30 This factory written Detroit Iron shop manual is perfect for the restorer or anyone working on one of these vehicles **1974 Chevrolet Light Duty Truck Service Manual** GM Corporation,2020-05-10 This 1974 Chevrolet Light Duty Truck Service Manual is a high quality licensed PRINT reproduction of the service manual authored by General Motors Corporation and published by Detroit Iron This OEM factory manual is 8 5

x 11 inches paperback bound shrink wrapped and contains 978 pages of comprehensive mechanical instructions with detailed diagrams photos and specifications for the mechanical components of your vehicle such as the engine transmission suspension brakes fuel exhaust steering electrical and drive line Service repair manuals were originally written by the automotive manufacturer to be used by their dealership mechanics The following 1974 Chevrolet models are covered Blazer C10 Pickup C10 Suburban C20 Pickup C20 Suburban C30 Pickup G10 Van G20 Van G30 Van K10 Pickup K10 Suburban K20 Pickup K20 Suburban K30 Pickup P10 Van P20 Van P30 Van This factory written Detroit Iron shop manual is perfect for the restorer or anyone working on one of these vehicles 1979 Chevrolet Service Manual GM Corporation,2020-05-10 This 1979 Chevrolet Service Manual is a high quality licensed PRINT reproduction of the service manual authored by General Motors Corporation and published by Detroit Iron This OEM factory manual is 8 5 x 11 inches paperback bound shrink wrapped and contains 948 pages of comprehensive mechanical instructions with detailed diagrams photos and specifications for the mechanical components of your vehicle such as the engine transmission suspension brakes fuel exhaust steering electrical and drive line Service repair manuals were originally written by the automotive manufacturer to be used by their dealership mechanics The following 1979 Chevrolet models are covered Camaro Caprice Corvette El Camino Impala Malibu Monte Carlo Nova This factory written Detroit Iron shop manual is perfect for the restorer or anyone working on one of these vehicles **1980 Chevrolet Light Duty Truck Service Manual** GM Corporation,2020-05-10 This 1980 Chevrolet Light Duty Truck Service Manual is a high quality licensed PRINT reproduction of the service manual authored by General Motors Corporation and published by Detroit Iron This OEM factory manual is 8 5 x 11 inches paperback bound shrink wrapped and contains 1032 pages of comprehensive mechanical instructions with detailed diagrams photos and specifications for the mechanical components of your vehicle such as the engine transmission suspension brakes fuel exhaust steering electrical and drive line Service repair manuals were originally written by the automotive manufacturer to be used by their dealership mechanics The following 1980 Chevrolet models are covered C10 C10 Suburban C20 C20 Suburban C30 G10 G20 G30 K10 K10 Suburban K20 K20 Suburban K5 Blazer P10 P20 P30 K30 This factory written Detroit Iron shop manual is perfect for the restorer or anyone working on one of these vehicles **Engine Repair Manual** Atlantis Diesel Engines (Firm),1987\*

**1940 Chevrolet Shop Manual** GM Corporation,2020-05-10 This 1940 Chevrolet Shop Manual is a high quality licensed PRINT reproduction of the service manual authored by General Motors Corporation and published by Detroit Iron This OEM factory manual is 8 5 x 11 inches paperback bound shrink wrapped and contains 282 pages of comprehensive mechanical instructions with detailed diagrams photos and specifications for the mechanical components of your vehicle such as the engine transmission suspension brakes fuel exhaust steering electrical and drive line Service repair manuals were originally written by the automotive manufacturer to be used by their dealership mechanics The following 1940 Chevrolet models are covered KC KD KF KP Master 85 Special Deluxe WA This factory written Detroit Iron shop manual is perfect for the restorer

or anyone working on one of these vehicles [1937 Chevrolet Car & Truck Shop Manual](#) GM Corporation, 2020-05-10 This 1937 Chevrolet Car Truck Shop Manual is a high quality licensed PRINT reproduction of the service manual authored by General Motors Corporation and published by Detroit Iron This OEM factory manual is 8 5 x 11 inches paperback bound shrink wrapped and contains 224 pages of comprehensive mechanical instructions with detailed diagrams photos and specifications for the mechanical components of your vehicle such as the engine transmission suspension brakes fuel exhaust steering electrical and drive line Service repair manuals were originally written by the automotive manufacturer to be used by their dealership mechanics The following 1937 Chevrolet models are covered GC GD GE Master Deluxe Master Truck Master Deluxe Truck Master Truck This factory written Detroit Iron shop manual is perfect for the restorer or anyone working on one of these vehicles

Marketing Final Exam - McGraw-Hill Connect Flashcards Study with Quizlet and memorize flashcards containing terms like Starbucks integrates its activities to connect with customers at each contact point to move ... McGraw Hill Marketing 1, 2, and 3 Flashcards McGraw Hill Marketing 10th edition chapters 1, 2, and 3 Learn with flashcards, games, and more — for free. Chapter 10 Marketing Quiz McGraw Hill answers 1-20 Chapter 13 Marketing Quiz McGraw Hill 1-20 answers Chapter 8 Marketing Quiz McGraw Hill, Principles ... - YouTube Marketing Exam 1 - Name: Date: MARKETING - TEST ... View Test prep - Marketing Exam 1 from MK 351 at Park University. Name: Date: MARKETING - TEST #1 Chapters 1-9 Total points 100 Short Answer: Please ... sample McGraw hill questions and answers - 1. Marketing ... sample McGraw hill questions and answers marketing achieves company goals meeting and exceeding customer needs better than the competition and, in turn, Answers to Quizzes, Tests, and Final Exam | McGraw-Hill ... Detailed illustrations, practical examples, and hundreds of test questions make it easy to learn the material quickly. This fully revised resource starts with ... Solved Exams - BA153.1233.F2 Connect The Marketing Oct 27, 2020 — You'll get a detailed solution from a subject matter expert that helps you learn core concepts. See Answer ... Connect | McGraw Hill Test Builder Guide Test Builder User Guide. Explore how to build a customized exam using McGraw Hill's Test Builder. Exams can be exported in multiple online and printable formats ... Chemistry Final Exam Review (Hanover Horton High School) Start studying Chemistry Final Exam Review (Hanover Horton High School). Learn vocabulary, terms, and more with flashcards, games, and other study tools. CHEMISTRY TEST REVIEW OVER MOLES UNIT Moles Practice Test At STP, which sample contains the same number of molecules as 11.2 liters of CO<sub>2</sub>(g) at STP? Page 4. Answer Key moles practice test. 1. C. 2. C. 3. D. 4. C. 5. A. Nadeb videos 6 years ago. 1:25. Nadeb. Mole Test Review Answer Key Horton High School. 6 years ago. 1:25. Nadeb. How To Replace Drive Belt On Yamaha Stratoliner. 6 years ago. Stoichiometry Review Sheets 2.pdf X moles = 399. 26. LIFE 7+ 19. Page 7. Name: Answer Key. 1. Base your answer to ... Determine the total number of moles of CO<sub>2</sub> produced during the lantern test. Relative Mass and the

Mole answer key Use a periodic table to answer the following questions. a. Fluorine gas consists of diatomic molecules of fluorine (F). How many molecules of fluorine are in ... Conceptual Chemistry MOLES & EMPIRICAL FORMULA ... May 5, 2020 — Conceptual Chemistry MOLES & EMPIRICAL FORMULA Test Review 1. A mole is equal to : representative particles grams liters (for gases only) 2. Msrazz chem class the mole answer key ... mole answer key Balancing combustion Chemistry test review answers - earthstaff. ... High School chemistry is one of the most high-yield areas for study. pogil ... Gif Dr Doe is here to test your knowledge of chemistry! Answer correctly, she strips. Made using the Topaz Gigapixel AI 5. Stay on topic, be respectful, no low ... Groundwater Hydrology TODD and MAYS PDF Groundwater Hydrology TODD and MAYS.pdf - Free ebook download as PDF File (.pdf) or read book online for free. Example 1 (Example 3.3.4 Todd and Mays, Groundwater ... Oct 21, 2021 — Question: Example 1 (Example 3.3.4 Todd and Mays, Groundwater Hydrology 3rd Edition) The Figure shows the cross section of an unconfined aquifer ... [PDF] Groundwater Hydrology By David Keith Todd, Larry ... Mays - Our understanding of the occurrence and movement of water under the Earth's surface is constantly advancing, with new models, improved drilling equipment ... Groundwater Hydrology - David Keith Todd, Larry W. Mays Special focus is placed on modern groundwater modeling methods, including a detailed description of MODFLOW. Intended Courses: Departments of Civil and ... Solution manual Groundwater Hydrology (3rd Ed., David ... Jan 30, 2018 — Solution manual Groundwater Hydrology (3rd Ed., David Keith Todd & Larry Mays) ... Solution manual Practical Problems in Groundwater Hydrology ... Groundwater Hydrology by D.K.Todd Groundwater Hydrology by D.K.Todd. Groundwater Hydrology by D.K.Todd. Groundwater ... Hydrology Solutions for Volume : I Classroom Practice Questions Missing ... Ground-water studies: an international guide for research ... Ground-water studies: an international guide for research and practice. Person as author : Brown, R.H.. Parent : Studies and reports in hydrology. Groundwater Hydrology: Third Edition | PDF | Aquifer ... Groundwater. Hydrology. Third Edition. David Keith. Todd. University. o. California. Berkeley. and. Todd. Engineers. Larry. W. Mays ... groundwater. knowledge. Groundwater studies: an international guide for ... Groundwater studies: an international guide for hydrogeological investigations. Person as author : Kovalevsky, Vlademir S. Person as author : Kruseman, ...



Uncover the mysteries within Crafted by is enigmatic creation, **L99 Engine Free Repair Manual** . This downloadable ebook, shrouded in suspense, is available in a PDF format ( \*). Dive into a world of uncertainty and anticipation. Download now to unravel the secrets hidden within the pages.

[https://offsite.creighton.edu/files/virtual-library/Documents/is\\_a\\_soul\\_of\\_ash\\_and\\_blood\\_the\\_last\\_book.pdf](https://offsite.creighton.edu/files/virtual-library/Documents/is_a_soul_of_ash_and_blood_the_last_book.pdf)

[https://offsite.creighton.edu/files/virtual-library/Documents/inspection\\_in\\_software\\_testing.pdf](https://offsite.creighton.edu/files/virtual-library/Documents/inspection_in_software_testing.pdf)

[https://offsite.creighton.edu/files/virtual-library/Documents/interested\\_in\\_selling\\_your\\_home\\_letter.pdf](https://offsite.creighton.edu/files/virtual-library/Documents/interested_in_selling_your_home_letter.pdf)

## **Table of Contents L99 Engine Free Repair Manual**

1. Understanding the eBook L99 Engine Free Repair Manual
  - The Rise of Digital Reading L99 Engine Free Repair Manual
  - Advantages of eBooks Over Traditional Books
2. Identifying L99 Engine Free Repair Manual
  - Exploring Different Genres
  - Considering Fiction vs. Non-Fiction
  - Determining Your Reading Goals
3. Choosing the Right eBook Platform
  - Popular eBook Platforms
  - Features to Look for in an L99 Engine Free Repair Manual
  - User-Friendly Interface
4. Exploring eBook Recommendations from L99 Engine Free Repair Manual
  - Personalized Recommendations
  - L99 Engine Free Repair Manual User Reviews and Ratings

- L99 Engine Free Repair Manual and Bestseller Lists
- 5. Accessing L99 Engine Free Repair Manual Free and Paid eBooks
  - L99 Engine Free Repair Manual Public Domain eBooks
  - L99 Engine Free Repair Manual eBook Subscription Services
  - L99 Engine Free Repair Manual Budget-Friendly Options
- 6. Navigating L99 Engine Free Repair Manual eBook Formats
  - ePub, PDF, MOBI, and More
  - L99 Engine Free Repair Manual Compatibility with Devices
  - L99 Engine Free Repair Manual Enhanced eBook Features
- 7. Enhancing Your Reading Experience
  - Adjustable Fonts and Text Sizes of L99 Engine Free Repair Manual
  - Highlighting and Note-Taking L99 Engine Free Repair Manual
  - Interactive Elements L99 Engine Free Repair Manual
- 8. Staying Engaged with L99 Engine Free Repair Manual
  - Joining Online Reading Communities
  - Participating in Virtual Book Clubs
  - Following Authors and Publishers L99 Engine Free Repair Manual
- 9. Balancing eBooks and Physical Books L99 Engine Free Repair Manual
  - Benefits of a Digital Library
  - Creating a Diverse Reading Collection L99 Engine Free Repair Manual
- 10. Overcoming Reading Challenges
  - Dealing with Digital Eye Strain
  - Minimizing Distractions
  - Managing Screen Time
- 11. Cultivating a Reading Routine L99 Engine Free Repair Manual
  - Setting Reading Goals L99 Engine Free Repair Manual
  - Carving Out Dedicated Reading Time
- 12. Sourcing Reliable Information of L99 Engine Free Repair Manual
  - Fact-Checking eBook Content of L99 Engine Free Repair Manual
  - Distinguishing Credible Sources

13. Promoting Lifelong Learning
  - Utilizing eBooks for Skill Development
  - Exploring Educational eBooks
14. Embracing eBook Trends
  - Integration of Multimedia Elements
  - Interactive and Gamified eBooks

### **L99 Engine Free Repair Manual Introduction**

In the digital age, access to information has become easier than ever before. The ability to download L99 Engine Free Repair Manual has revolutionized the way we consume written content. Whether you are a student looking for course material, an avid reader searching for your next favorite book, or a professional seeking research papers, the option to download L99 Engine Free Repair Manual has opened up a world of possibilities. Downloading L99 Engine Free Repair Manual provides numerous advantages over physical copies of books and documents. Firstly, it is incredibly convenient. Gone are the days of carrying around heavy textbooks or bulky folders filled with papers. With the click of a button, you can gain immediate access to valuable resources on any device. This convenience allows for efficient studying, researching, and reading on the go. Moreover, the cost-effective nature of downloading L99 Engine Free Repair Manual has democratized knowledge. Traditional books and academic journals can be expensive, making it difficult for individuals with limited financial resources to access information. By offering free PDF downloads, publishers and authors are enabling a wider audience to benefit from their work. This inclusivity promotes equal opportunities for learning and personal growth. There are numerous websites and platforms where individuals can download L99 Engine Free Repair Manual. These websites range from academic databases offering research papers and journals to online libraries with an expansive collection of books from various genres. Many authors and publishers also upload their work to specific websites, granting readers access to their content without any charge. These platforms not only provide access to existing literature but also serve as an excellent platform for undiscovered authors to share their work with the world. However, it is essential to be cautious while downloading L99 Engine Free Repair Manual. Some websites may offer pirated or illegally obtained copies of copyrighted material. Engaging in such activities not only violates copyright laws but also undermines the efforts of authors, publishers, and researchers. To ensure ethical downloading, it is advisable to utilize reputable websites that prioritize the legal distribution of content. When downloading L99 Engine Free Repair Manual, users should also consider the potential security risks associated with online platforms. Malicious actors may exploit vulnerabilities in unprotected websites to distribute malware or steal personal information. To protect themselves, individuals should ensure their devices have reliable antivirus software installed and

validate the legitimacy of the websites they are downloading from. In conclusion, the ability to download L99 Engine Free Repair Manual has transformed the way we access information. With the convenience, cost-effectiveness, and accessibility it offers, free PDF downloads have become a popular choice for students, researchers, and book lovers worldwide. However, it is crucial to engage in ethical downloading practices and prioritize personal security when utilizing online platforms. By doing so, individuals can make the most of the vast array of free PDF resources available and embark on a journey of continuous learning and intellectual growth.

### **FAQs About L99 Engine Free Repair Manual Books**

How do I know which eBook platform is the best for me? Finding the best eBook platform depends on your reading preferences and device compatibility. Research different platforms, read user reviews, and explore their features before making a choice. Are free eBooks of good quality? Yes, many reputable platforms offer high-quality free eBooks, including classics and public domain works. However, make sure to verify the source to ensure the eBook credibility. Can I read eBooks without an eReader? Absolutely! Most eBook platforms offer webbased readers or mobile apps that allow you to read eBooks on your computer, tablet, or smartphone. How do I avoid digital eye strain while reading eBooks? To prevent digital eye strain, take regular breaks, adjust the font size and background color, and ensure proper lighting while reading eBooks. What the advantage of interactive eBooks? Interactive eBooks incorporate multimedia elements, quizzes, and activities, enhancing the reader engagement and providing a more immersive learning experience. L99 Engine Free Repair Manual is one of the best book in our library for free trial. We provide copy of L99 Engine Free Repair Manual in digital format, so the resources that you find are reliable. There are also many Ebooks of related with L99 Engine Free Repair Manual. Where to download L99 Engine Free Repair Manual online for free? Are you looking for L99 Engine Free Repair Manual PDF? This is definitely going to save you time and cash in something you should think about. If you trying to find then search around for online. Without a doubt there are numerous these available and many of them have the freedom. However without doubt you receive whatever you purchase. An alternate way to get ideas is always to check another L99 Engine Free Repair Manual. This method for see exactly what may be included and adopt these ideas to your book. This site will almost certainly help you save time and effort, money and stress. If you are looking for free books then you really should consider finding to assist you try this. Several of L99 Engine Free Repair Manual are for sale to free while some are payable. If you arent sure if the books you would like to download works with for usage along with your computer, it is possible to download free trials. The free guides make it easy for someone to free access online library for download books to your device. You can get free download on free trial for lots of books categories. Our library is the biggest of these that have literally hundreds of thousands of

different products categories represented. You will also see that there are specific sites catered to different product types or categories, brands or niches related with L99 Engine Free Repair Manual. So depending on what exactly you are searching, you will be able to choose e books to suit your own need. Need to access completely for Campbell Biology Seventh Edition book? Access Ebook without any digging. And by having access to our ebook online or by storing it on your computer, you have convenient answers with L99 Engine Free Repair Manual To get started finding L99 Engine Free Repair Manual, you are right to find our website which has a comprehensive collection of books online. Our library is the biggest of these that have literally hundreds of thousands of different products represented. You will also see that there are specific sites catered to different categories or niches related with L99 Engine Free Repair Manual So depending on what exactly you are searching, you will be able to choose ebook to suit your own need. Thank you for reading L99 Engine Free Repair Manual. Maybe you have knowledge that, people have search numerous times for their favorite readings like this L99 Engine Free Repair Manual, but end up in harmful downloads. Rather than reading a good book with a cup of coffee in the afternoon, instead they juggled with some harmful bugs inside their laptop. L99 Engine Free Repair Manual is available in our book collection an online access to it is set as public so you can download it instantly. Our digital library spans in multiple locations, allowing you to get the most less latency time to download any of our books like this one. Merely said, L99 Engine Free Repair Manual is universally compatible with any devices to read.

**Find L99 Engine Free Repair Manual :**

**is a soul of ash and blood the last book**

**inspection in software testing**

**interested in selling your home letter**

**inventory adjustment journal entry quickbooks**

**intermediate accounting practice problems**

**ink drawing artists**

**introduction to business law 6th edition**

**ingersoll rand dd24**

**in the shadow of your wings**

**interior design business plan sample pdf**

**is accelerated math good**

**interpret my tarot cards**

**iphone repair best buy vs apple store**

**ingredient in a waldorf cocktail nyt**

inside-out by francisco jiménez

**L99 Engine Free Repair Manual :**