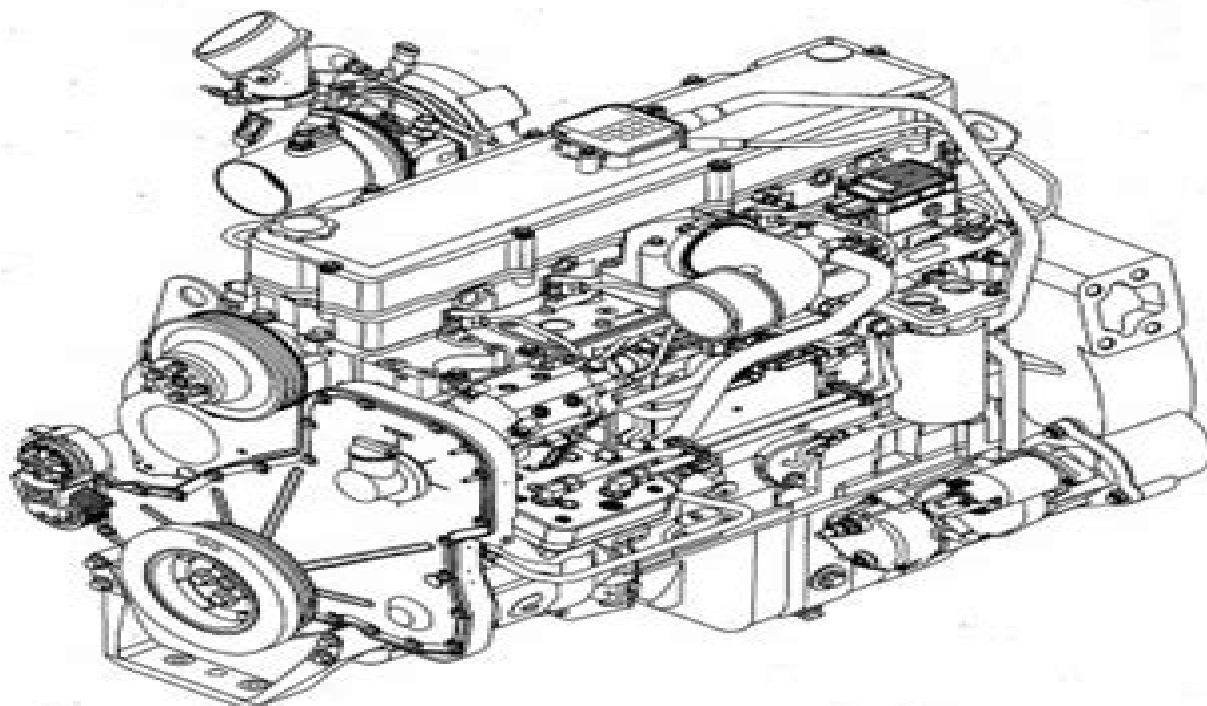


# Troubleshooting and Repair Manual ISC, ISC<sup>®</sup>, QSC8.3, ISL and QSL9 Engines

Open front screen



Copyright© 2003  
Cummins Inc.  
All rights reserved

Bulletin 4021-418-00  
Printed 12/03

# **L99 Engine Free Repair Manual**

**GM Corporation**



L99 Engine Free Repair Manual

**Repair Manual** Ford Motor Company. Service Department,1947

*Snowmobile Service Manual* Intertec Publishing Corporation. Technical Publications Division,1971

**1925 - 1926 Chevrolet Car, Pickup, & Truck Repair Shop Manual** GM Corporation,2020-05-10 This 1925 1926 Chevrolet Car Pickup Truck Repair Shop Manual is a high quality licensed PRINT reproduction of the service manual authored by General Motors Corporation and published by Detroit Iron This OEM factory manual is 8 5 x 11 inches paperback bound shrink wrapped and contains 152 pages of comprehensive mechanical instructions with detailed diagrams photos and specifications for the mechanical components of your vehicle such as the engine transmission suspension brakes fuel exhaust steering electrical and drive line Service repair manuals were originally written by the automotive manufacturer to be used by their dealership mechanics The following 1925 1926 Chevrolet models are covered Superior Superior Truck This factory written Detroit Iron shop manual is perfect for the restorer or anyone working on one of these vehicles

*1986 Chevy LD Truck Unit Repair Manual* GM Corporation,2020-05-10 This 1986 Chevy LD Truck Unit Repair Manual is a high quality licensed PRINT reproduction of the service manual authored by General Motors Corporation and published by Detroit Iron This OEM factory manual is 8 5 x 11 inches paperback bound shrink wrapped and contains 832 pages of comprehensive mechanical instructions with detailed diagrams photos and specifications for the mechanical components of your vehicle such as the engine transmission suspension brakes fuel exhaust steering electrical and drive line Service repair manuals were originally written by the automotive manufacturer to be used by their dealership mechanics The following 1986 Chevrolet models are covered C10 C10 Suburban C20 C20 Suburban C30 K10 K10 Suburban K20 K20 Suburban K30 K5 Blazer Astro G10 G20 G30 P20 P30 S10 S10 Blazer This factory written Detroit Iron shop manual is perfect for the restorer or anyone working on one of these vehicles

Chevrolet Engine Service Manual for 'C and E' Series Bedford ,197?

*Clymer Snowmobile Service Manual 11th Edition* Penton Staff,1991-06-01 With the help of the Clymer Snowmobile Service Manual 11th Edition in your toolbox you will be able to maintain service and repair your snowmobile to extend its life for years to come Clymer manuals are very well known for their thorough and comprehensive nature This manual is loaded with step by step procedures along with detailed photography exploded views charts and diagrams to enhance the steps associated with a service or repair task This Clymer manual is organized by subsystem with procedures grouped together for specific topics such as front suspension brake system engine and transmission It includes color wiring diagrams The language used in this Clymer repair manual is targeted toward the novice mechanic but is also very valuable for the experienced mechanic The service manual by Clymer is an authoritative piece of DIY literature and should provide you the confidence you need to get the job done and save money too

**1993 Chevrolet Light Duty Truck Fuel & Emissions Service Manual** GM Corporation,2020-05-10 This 1993 Chevrolet Light Duty Truck Fuel Emissions Service Manual is a high quality licensed PRINT reproduction of the service manual authored by General Motors Corporation and published by Detroit Iron This OEM factory manual is 8 5 x 11 inches paperback bound shrink wrapped and contains 872 pages of comprehensive mechanical instructions with detailed diagrams photos and specifications for the mechanical components of your vehicle such as the engine transmission suspension brakes fuel exhaust steering electrical and drive line Service repair manuals were originally written by the automotive manufacturer to be used by their dealership mechanics The following 1993 Chevrolet models are covered Blazer C1500 C1500 Suburban C2500 C2500 Suburban C3500 K1500 K1500 Suburban K2500 K2500 Suburban K3500 S10 S10 Blazer Astro G10 G20 G30 P30 This factory written Detroit Iron shop manual is perfect for the restorer or anyone working on one of these vehicles

**1931 Chevrolet Car & Truck Repair Shop Manual** GM Corporation,2020-05-10 This 1931 Chevrolet Car Truck Repair Shop Manual is a high quality licensed PRINT reproduction of the service manual authored by General Motors Corporation and published by Detroit Iron This OEM factory manual is 8 5 x 11 inches paperback bound shrink wrapped and contains 280 pages of comprehensive mechanical instructions with detailed diagrams photos and specifications for the mechanical components of your vehicle such as the engine transmission suspension brakes fuel exhaust steering electrical and drive line Service repair manuals were originally written by the automotive manufacturer to be used by their dealership mechanics The following 1931 Chevrolet models are covered AE Independence Truck This factory written Detroit Iron shop manual is perfect for the restorer or anyone working on one of these vehicles

**Motor's Auto Repair Manual ,1963**

**1981 Chevrolet Car & Truck Unit Repair Manual** GM Corporation,2020-05-10 This 1981 Chevrolet Car Truck Unit Repair Manual is a high quality licensed PRINT reproduction of the service manual authored by General Motors Corporation and published by Detroit Iron This OEM factory manual is 8 5 x 11 inches paperback bound shrink wrapped and contains 546 pages of comprehensive mechanical instructions with detailed diagrams photos and specifications for the mechanical components of your vehicle such as the engine transmission suspension brakes fuel exhaust steering electrical and drive line Service repair manuals were originally written by the automotive manufacturer to be used by their dealership mechanics The following 1981 Chevrolet models are covered Bel Air Camaro Caprice Impala Malibu Monte Carlo El Camino C10 C10 Suburban C20 C20 Suburban C30 G10 G20 G30 K10 K10 Suburban K20 K20 Suburban K5 Blazer P20 P30 K30 This factory written Detroit Iron shop manual is perfect for the restorer or anyone working on one of these vehicles

**1938 Chevrolet Car and Truck Shop Manual** GM Corporation,2020-05-10 This 1938 Chevrolet Car and Truck Shop Manual is a high quality licensed PRINT reproduction of the service manual authored by General Motors Corporation and published by Detroit Iron This OEM factory manual is 8 5 x 11 inches paperback bound shrink wrapped and contains 276 pages of comprehensive mechanical instructions with detailed diagrams photos and specifications for the mechanical components of your vehicle such as the engine transmission suspension brakes fuel exhaust steering electrical and drive line Service repair manuals were originally written by the automotive manufacturer to be used by their dealership mechanics The following 1938 Chevrolet models are covered HC HD HE Master Master Deluxe Master Truck This factory written Detroit Iron shop manual is perfect for the restorer or anyone working on one of these vehicles

**Engine Repair Manual** Atlantis Diesel Engines (Firm),1987\*

**1934 Chevrolet Shop Manual - Master & Standard** GM Corporation,2020-05-10 This 1934 Chevrolet Shop Manual Master Standard is a high quality licensed PRINT reproduction of the service manual authored by General Motors Corporation and published by Detroit Iron This OEM factory manual is 8 5 x 11 inches paperback bound shrink wrapped and contains 164 pages of comprehensive mechanical instructions with detailed diagrams photos and specifications for the mechanical components of your vehicle such as the engine transmission suspension brakes fuel exhaust steering electrical and drive line Service repair manuals were originally written by the automotive manufacturer to be used by their dealership mechanics The following 1934 Chevrolet models are covered DB Master Standard This factory written Detroit Iron shop manual is perfect for the restorer or anyone working on one of these vehicles

**1927 - 1928 Chevrolet Car & Truck Repair Shop Manual** GM Corporation,2020-05-10 This 1927 1928 Chevrolet Car Truck Repair Shop Manual is a high quality licensed PRINT reproduction of the service manual authored by General Motors Corporation and published by Detroit Iron This OEM factory manual is 8 5 x 11 inches paperback bound shrink wrapped and contains 272 pages of comprehensive mechanical instructions with detailed diagrams photos and specifications for the mechanical components of your vehicle such as the engine transmission suspension brakes fuel exhaust steering electrical and drive line Service repair manuals were originally written by the automotive manufacturer to be used by their dealership mechanics The following 1927 1928 Chevrolet models are covered Capitol National Capitol Truck National Truck This factory written Detroit Iron shop manual is perfect for the restorer or anyone working on one of these vehicles

**1973 Chevrolet Light Duty Truck Service Manual** GM Corporation,2020-05-10 This 1973 Chevrolet Light Duty Truck Service Manual is a high quality licensed PRINT reproduction of the service manual authored by General Motors Corporation and published by Detroit Iron This OEM factory manual is 8 5 x 11 inches paperback bound shrink wrapped and contains 976 pages of comprehensive mechanical instructions with detailed diagrams photos and specifications for the mechanical components of your vehicle such as the engine transmission suspension brakes fuel exhaust steering electrical and drive line Service repair manuals were originally written by the automotive manufacturer to be used by their dealership mechanics The following 1973 Chevrolet models are covered Blazer C10 Pickup C10 Suburban C20 Pickup C20 Suburban C30 Pickup G10 Van G20 Van G30 Van K10 Pickup K10 Suburban K20 Pickup K20 Suburban K30 Pickup Luv Pickup P10 Van P20 Van P30 Van This factory written Detroit Iron shop manual is perfect for the restorer or anyone working on one of these vehicles

**1981 Chevrolet Light Duty Truck Service Manual** GM Corporation,2020-05-10 This 1981 Chevrolet Light Duty Truck Service Manual is a high quality licensed PRINT reproduction of the service manual authored by General Motors Corporation and published by Detroit Iron This OEM factory manual is 8 5 x 11 inches paperback bound shrink wrapped and contains 1162 pages of comprehensive mechanical instructions with detailed diagrams photos and specifications for the mechanical components of your vehicle such as the engine transmission suspension brakes fuel exhaust steering electrical and drive line Service repair manuals were originally written by the automotive manufacturer to be used by their dealership mechanics The following 1981 Chevrolet models are covered C10 C10 Suburban C20 C20 Suburban C30 G10 G20 G30 K10 K10 Suburban K20 K20 Suburban K5 Blazer P20 P30 K30 This factory written Detroit Iron shop manual is perfect for the restorer or anyone working on one of these vehicles

*1974 Chevrolet Light Duty Truck Service Manual* GM Corporation,2020-05-10 This 1974 Chevrolet Light Duty Truck Service Manual is a high quality licensed PRINT reproduction of the service manual authored by General Motors Corporation and published by Detroit Iron This OEM factory manual is 8 5 x 11 inches paperback bound shrink wrapped and contains 978 pages of comprehensive mechanical instructions with detailed diagrams photos and specifications for the mechanical components of your vehicle such as the engine transmission suspension brakes fuel exhaust steering electrical and drive line Service repair manuals were originally written by the automotive manufacturer to be used by their dealership mechanics The following 1974 Chevrolet models are covered Blazer C10 Pickup C10 Suburban C20 Pickup C20 Suburban C30 Pickup G10 Van G20 Van G30 Van K10 Pickup K10 Suburban K20 Pickup K20 Suburban K30 Pickup P10 Van P20 Van P30 Van This factory written Detroit Iron shop manual is perfect for the restorer or anyone working on one of these vehicles

**1980 Chevrolet Light Duty Truck Service Manual** GM Corporation,2020-05-10 This 1980 Chevrolet Light Duty Truck Service Manual is a high quality licensed PRINT reproduction of the service manual authored by General Motors Corporation and published by Detroit Iron This OEM factory manual is 8 5 x 11 inches paperback bound shrink wrapped and contains 1032 pages of comprehensive mechanical instructions with detailed diagrams photos and specifications for the mechanical components of your vehicle such as the engine transmission suspension brakes fuel exhaust steering electrical and drive line Service repair manuals were originally written by the automotive manufacturer to be used by their dealership mechanics The following 1980 Chevrolet models are covered C10 C10 Suburban C20 C20 Suburban C30 G10 G20 G30 K10 K10 Suburban K20 K20 Suburban K5 Blazer P10 P20 P30 K30 This factory written Detroit Iron shop manual is perfect for the restorer or anyone working on one of these vehicles

**1940 Chevrolet Shop Manual** GM Corporation,2020-05-10 This 1940 Chevrolet Shop Manual is a high quality licensed PRINT reproduction of the service manual authored by General Motors Corporation and published by Detroit Iron This OEM factory manual is 8 5 x 11 inches paperback bound shrink wrapped and contains 282 pages of comprehensive mechanical instructions with detailed diagrams photos and specifications for the mechanical components of your vehicle such as the engine transmission suspension brakes fuel exhaust steering electrical and drive line Service repair manuals were originally written by the automotive manufacturer to be used by their dealership mechanics The following 1940 Chevrolet models are covered KC KD KF KP Master 85 Special Deluxe WA This factory written Detroit Iron shop manual is perfect for the restorer or anyone working on one of these vehicles

**1937 Chevrolet Car & Truck Shop Manual** GM Corporation,2020-05-10 This 1937 Chevrolet Car Truck Shop Manual is a high quality licensed PRINT reproduction of the service manual authored by General Motors Corporation and published by Detroit Iron This OEM factory manual is 8 5 x 11 inches paperback bound shrink wrapped and contains 224 pages of comprehensive mechanical instructions with detailed diagrams photos and specifications for the mechanical components of your vehicle such as the engine transmission suspension brakes fuel exhaust steering electrical and drive line Service repair manuals were originally written by the automotive manufacturer to be used by their dealership mechanics The following 1937 Chevrolet models are covered GC GD GE Master Deluxe Master Truck Master Deluxe Truck Master Truck This factory written Detroit Iron shop manual is perfect for the restorer or anyone working on one of these vehicles

## Unveiling the Magic of Words: A Overview of "**L99 Engine Free Repair Manual**"

In a world defined by information and interconnectivity, the enchanting power of words has acquired unparalleled significance. Their ability to kindle emotions, provoke contemplation, and ignite transformative change is actually awe-inspiring. Enter the realm of "**L99 Engine Free Repair Manual**," a mesmerizing literary masterpiece penned by way of a distinguished author, guiding readers on a profound journey to unravel the secrets and potential hidden within every word. In this critique, we shall delve into the book is central themes, examine its distinctive writing style, and assess its profound affect the souls of its readers.

[https://offsite.creighton.edu/files/browse/HomePages/intro\\_to\\_physical\\_geography.pdf](https://offsite.creighton.edu/files/browse/HomePages/intro_to_physical_geography.pdf)

<https://offsite.creighton.edu/files/browse/HomePages/indramat%20eco%20drive%20fault%20codes.pdf>

<https://offsite.creighton.edu/files/browse/HomePages/Intrigue%20Addiction%20Doug%20Weiss.pdf>

### **Table of Contents L99 Engine Free Repair Manual**

1. Understanding the eBook L99 Engine Free Repair Manual
  - The Rise of Digital Reading L99 Engine Free Repair Manual
  - Advantages of eBooks Over Traditional Books
2. Identifying L99 Engine Free Repair Manual
  - Exploring Different Genres
  - Considering Fiction vs. Non-Fiction
  - Determining Your Reading Goals
3. Choosing the Right eBook Platform
  - Popular eBook Platforms
  - Features to Look for in an L99 Engine Free Repair Manual
  - User-Friendly Interface
4. Exploring eBook Recommendations from L99 Engine Free Repair Manual
  - Personalized Recommendations
  - L99 Engine Free Repair Manual User Reviews and Ratings
  - L99 Engine Free Repair Manual and Bestseller Lists

5. Accessing L99 Engine Free Repair Manual Free and Paid eBooks
  - L99 Engine Free Repair Manual Public Domain eBooks
  - L99 Engine Free Repair Manual eBook Subscription Services
  - L99 Engine Free Repair Manual Budget-Friendly Options
6. Navigating L99 Engine Free Repair Manual eBook Formats
  - ePub, PDF, MOBI, and More
  - L99 Engine Free Repair Manual Compatibility with Devices
  - L99 Engine Free Repair Manual Enhanced eBook Features
7. Enhancing Your Reading Experience
  - Adjustable Fonts and Text Sizes of L99 Engine Free Repair Manual
  - Highlighting and Note-Taking L99 Engine Free Repair Manual
  - Interactive Elements L99 Engine Free Repair Manual
8. Staying Engaged with L99 Engine Free Repair Manual
  - Joining Online Reading Communities
  - Participating in Virtual Book Clubs
  - Following Authors and Publishers L99 Engine Free Repair Manual
9. Balancing eBooks and Physical Books L99 Engine Free Repair Manual
  - Benefits of a Digital Library
  - Creating a Diverse Reading Collection L99 Engine Free Repair Manual
10. Overcoming Reading Challenges
  - Dealing with Digital Eye Strain
  - Minimizing Distractions
  - Managing Screen Time
11. Cultivating a Reading Routine L99 Engine Free Repair Manual
  - Setting Reading Goals L99 Engine Free Repair Manual
  - Carving Out Dedicated Reading Time
12. Sourcing Reliable Information of L99 Engine Free Repair Manual
  - Fact-Checking eBook Content of L99 Engine Free Repair Manual
  - Distinguishing Credible Sources
13. Promoting Lifelong Learning



- Utilizing eBooks for Skill Development
  - Exploring Educational eBooks
14. Embracing eBook Trends
- Integration of Multimedia Elements
  - Interactive and Gamified eBooks

### **L99 Engine Free Repair Manual Introduction**

In this digital age, the convenience of accessing information at our fingertips has become a necessity. Whether its research papers, eBooks, or user manuals, PDF files have become the preferred format for sharing and reading documents. However, the cost associated with purchasing PDF files can sometimes be a barrier for many individuals and organizations. Thankfully, there are numerous websites and platforms that allow users to download free PDF files legally. In this article, we will explore some of the best platforms to download free PDFs. One of the most popular platforms to download free PDF files is Project Gutenberg. This online library offers over 60,000 free eBooks that are in the public domain. From classic literature to historical documents, Project Gutenberg provides a wide range of PDF files that can be downloaded and enjoyed on various devices. The website is user-friendly and allows users to search for specific titles or browse through different categories. Another reliable platform for downloading L99 Engine Free Repair Manual free PDF files is Open Library. With its vast collection of over 1 million eBooks, Open Library has something for every reader. The website offers a seamless experience by providing options to borrow or download PDF files. Users simply need to create a free account to access this treasure trove of knowledge. Open Library also allows users to contribute by uploading and sharing their own PDF files, making it a collaborative platform for book enthusiasts. For those interested in academic resources, there are websites dedicated to providing free PDFs of research papers and scientific articles. One such website is Academia.edu, which allows researchers and scholars to share their work with a global audience. Users can download PDF files of research papers, theses, and dissertations covering a wide range of subjects. Academia.edu also provides a platform for discussions and networking within the academic community. When it comes to downloading L99 Engine Free Repair Manual free PDF files of magazines, brochures, and catalogs, Issuu is a popular choice. This digital publishing platform hosts a vast collection of publications from around the world. Users can search for specific titles or explore various categories and genres. Issuu offers a seamless reading experience with its user-friendly interface and allows users to download PDF files for offline reading. Apart from dedicated platforms, search engines also play a crucial role in finding free PDF files. Google, for instance, has an advanced search feature that allows users to filter results by file type. By specifying the file type as "PDF," users can find websites that offer free PDF downloads on a specific topic. While downloading L99 Engine Free Repair Manual free PDF files is convenient,

its important to note that copyright laws must be respected. Always ensure that the PDF files you download are legally available for free. Many authors and publishers voluntarily provide free PDF versions of their work, but its essential to be cautious and verify the authenticity of the source before downloading L99 Engine Free Repair Manual. In conclusion, the internet offers numerous platforms and websites that allow users to download free PDF files legally. Whether its classic literature, research papers, or magazines, there is something for everyone. The platforms mentioned in this article, such as Project Gutenberg, Open Library, Academia.edu, and Issuu, provide access to a vast collection of PDF files. However, users should always be cautious and verify the legality of the source before downloading L99 Engine Free Repair Manual any PDF files. With these platforms, the world of PDF downloads is just a click away.

### **FAQs About L99 Engine Free Repair Manual Books**

How do I know which eBook platform is the best for me? Finding the best eBook platform depends on your reading preferences and device compatibility. Research different platforms, read user reviews, and explore their features before making a choice. Are free eBooks of good quality? Yes, many reputable platforms offer high-quality free eBooks, including classics and public domain works. However, make sure to verify the source to ensure the eBook credibility. Can I read eBooks without an eReader? Absolutely! Most eBook platforms offer web-based readers or mobile apps that allow you to read eBooks on your computer, tablet, or smartphone. How do I avoid digital eye strain while reading eBooks? To prevent digital eye strain, take regular breaks, adjust the font size and background color, and ensure proper lighting while reading eBooks. What the advantage of interactive eBooks? Interactive eBooks incorporate multimedia elements, quizzes, and activities, enhancing the reader engagement and providing a more immersive learning experience. L99 Engine Free Repair Manual is one of the best book in our library for free trial. We provide copy of L99 Engine Free Repair Manual in digital format, so the resources that you find are reliable. There are also many Ebooks of related with L99 Engine Free Repair Manual. Where to download L99 Engine Free Repair Manual online for free? Are you looking for L99 Engine Free Repair Manual PDF? This is definitely going to save you time and cash in something you should think about.

### **Find L99 Engine Free Repair Manual :**

[intro to physical geography](#)

[\*\*indramat eco drive fault codes\*\*](#)

[intrigue addiction doug weiss](#)

*introduction to grammar*

irregular shape definition

industry 4.0 course syllabus

**interesting facts about mansa musa**

impossible dream playground

**implementing enterprise risk management pdf**

**ink shading techniques**

inside britannia yacht

invitation to murder parents guide

in a world full of roses be a wildflower

**irish insult generator**

**is 0100 c answers**

## **L99 Engine Free Repair Manual :**

*event sponsorship proposal template download in word - Nov 15 2022*

web get to use a standard event proposal where you are able to tailor fit according to the needs and wants of your target sponsor present a fool proof and winning proposal that clearly shows how both parties will benefit from the partnership get the most out of any event with our proposal template

*a step by step guide to event sponsorship proposals hopin - Jul 11 2022*

web what is an event proposal an event proposal is the formal document submitted to potential sponsors that outlines the in depth details of the event and is used to secure the sponsor if your one sheet is the amuse bouche your event proposal is the main course 5 critical steps to attract a sponsor

*free event proposal word template download template net - Dec 16 2022*

web event proposal templates word take advantage of template net s free event proposal templates in microsoft word this collection offers you ready made templates for event sponsorship proposals event management proposals planning proposal letters and project proposals

**how to write a winning event sponsorship proposal eventbrite - Apr 08 2022**

web 2 identify the decision maker understand who can say yes to your sponsorship proposal as you reach out to people via email or phone always ask if the person you re contacting has the authority to approve your proposal once you ve identified your contact it s time to initiate a conversation set up a 30 minute meeting in person

**sponsorship proposal template download in word google** - Jan 05 2022

web download this sponsorship proposal template design in word google docs apple pages format easily editable printable downloadable looking for a sponsor to fund your new project

**free event sponsorship proposal template better proposals** - Mar 19 2023

web free event sponsorship proposal template that wins clients this proven proposal template won over 16 000 000 of business for our customers in 2022 alone the text images colours your logo it s all 100 editable trusted by 10 000 customers

**free sponsorship proposal template template for word pdf** - Jun 22 2023

web sponsorship proposal template for word pdf organizing an event and searching for sponsors this sponsorship proposal template will help you get the partnerships you need download free template available for word pdf template highlights

[30 free sponsorship proposal templates samples pdf word](#) - May 21 2023

web 30 free sponsorship proposal templates samples pdf word a sponsorship proposal is a fundraising request to prospects that offer the recipient incentives in exchange for cash or other in kind donations writing a sponsorship proposal for your event or organization can seem like a daunting task one of the essential keys to getting a

**free event sponsorship proposal word template net** - Feb 06 2022

web free printable sponsorship proposal template printable sports sponsorship proposal template free music event sponsorship proposal letter education event sponsorship proposal template template event proposal sample template basic sponsorship proposal template seminar event proposal template event planning request for

*20 event sponsorship proposal templates design shack* - Jan 17 2023

web jun 1 2022 using a great looking proposal template you can write an event or sponsorship proposal much more easily by planning and designing your content to fit the template design today we bring you a collection of event proposal and sponsorship proposal templates to help get a head start on your proposals

[how to create a successful event sponsorship proposal](#) - Jun 10 2022

web may 15 2019 1 event brand what kind of event are you organising what are your objectives your values and your business philosophy have a clear definition of your personal brand as an event organiser 2 target audience who do your events cater to

[sponsorship proposal template 39 free word excel pdf](#) - Jul 23 2023

web prepare a sponsorship proposal easily with our free sample documents in doc pdf or other format with a free download example you can submit a proposal for a design event package and much more download our sponsorship proposal templates today for google docs ms word or your preferred software

**event sponsorship proposal template get free sample pdf** - Sep 13 2022

web an event sponsorship proposal typically mentions details about the promotion payment terms and conditions of the sponsorship deliverables promised and any applicable laws the proposal begins with an overview of the event and ends with a place for signatures for both parties to accept the proposal

[12 of the best event sponsorship proposal examples to inspire](#) - Mar 07 2022

web apr 10 2019 up until now all of the sponsorship proposals we ve been looking at were presented in pdf form or through slideshow decks but there s a few other approaches out there that ve worked for conference organisers in

[free sponsorship proposal template get 2023 sample](#) - Oct 14 2022

web this event sponsorship proposal template was prepared for those who are looking to pitch a sponsorship deal for an event whether seeking corporate sponsorship or connecting with a nonprofit remember this is a marketing proposal and any prospective sponsor will view this as a marketing investment announcement attendee profile

**event sponsorship proposal template 11 free word pdf** - Feb 18 2023

web event sponsorship proposal template 11 free word pdf format download proposal templates 11 event sponsorship proposal templates event sponsorship proposals help event managers present an event to a potential sponsor who could be interested in sponsoring for that particular event

[\*free event sponsorship proposal template revv\*](#) - Apr 20 2023

web an event sponsorship proposal also known as a prospectus is a structured document that summarizes your entire event with details that your prospective sponsors want to know it contains your event agenda sponsorship opportunities it offers

[free sponsorship proposal template wise](#) - Aug 12 2022

web download your business plan simple sponsorship proposal template attract sponsors to back your events with an effective sponsorship proposal sell your ideas and how partnering with you will benefit your sponsor using a simple and concise sponsorship proposal template

**free 13 event sponsorship proposal templates sample** - May 09 2022

web download check out this event proposal example template that ensures that you are on your way to grab the sponsor you have been eyeing for your event this practical template is available in a4 and us letter size it is also supported in formats like ms word and mac pages you can also easily make changes to the highlighted text with your own

**25 best event sponsorship proposal templates for 2023** - Aug 24 2023

web apr 18 2023 event sponsorship proposal template this professional event sponsorship proposal template will get the right sponsors for your next event this template sponsorship proposal is editable in indesign also editable ms word so you can brand it according to your needs

**e2020 algebra 1 answer key app dev lutify me** - Jan 07 2023

web 2 semester 1 answer key e2020 edgenuity answers how to pass edgenuity and edgenuity answer keys you can skip right to the answer collection by clicking below

**edgenuity for students algebra 2 answers pdf** - Sep 03 2022

web edgenuity for students algebra 2 answers 1 edgenuity for students algebra 2 answers me e2020 answer key for algebra 2 localexam com algebra ii

**edgenuity algebra 2 answer key musing org** - Jul 01 2022

web aug 6 2023 understand the format of edgenuity algebra 2 before you dive straight into the answer key on edgenuity it is crucial to understand the platform s format the

edgenuity algebra 1 semester 1 answers answers for 2023 exams - Feb 08 2023

web algebra 1 final exam review 2021 quizzz write an equation for the line shown by counting the slope and identifying the y intercept answer choices  $y = 2x + 2$   $y = 2x$

**edgenuity algebra 2 answers musing org** - Dec 06 2022

web sep 19 2023 conclusion understanding edgenuity algebra 2 answers is a valuable resource for students looking to excel in this subject by actively engaging with the

**algebra 1 cumulative exam review flashcards quizlet** - Dec 26 2021

web jan 12 2021 the possible combinations are 6 6 7 5 and 9 3 the table can be used to determine the solution of equations  $2x + 2y = 6$  and  $4x + 4y = 28$  which solution can be

**accessing the assessment questions and answers edgenuity** - Aug 02 2022

web oct 7 2022 under the more button select view course structure find the lesson to view the assessment answers click quiz answers all the assessment questions related to

edgenuity algebra 2 sem 2 answer key old thekitroom co - Mar 29 2022

web 2 edgenuity algebra 2 sem 2 answer key 2022 06 28 this ongoing series serves as a stepping stone in understanding specific careers and provides a wealth of information

**edgenuity algebra flashcards and study sets quizlet** - May 11 2023

web study sets learn edgenuity algebra with free interactive flashcards choose from 390 different sets of edgenuity algebra flashcards on quizlet

**edgenuity algebra 1 semester 2 answer key** - Feb 25 2022

web could enjoy now is edgenuity algebra 1 semester 2 answer key below edgenuity algebra 1 semester 2 answer key 2019 05 09 aleah freeman edgenuity algebra

**edgenuity algebra 2 semester 1 answers answers for 2023** - Jun 12 2023

web download edgenuity algebra 2 semester 1 answers filename speed downloads edgenuity algebra 2 semester 1 answers updated 1649 kb s 1020 edgenuity

[get accurate edgenuity answers pass the courses january](#) - Jan 27 2022

web aug 17 2022 looking for best edgenuity answers related to algebra 1 and algebra 2 you must also be among the students who search for edgenuity answer keys to score

**loading** - Nov 05 2022

web loading

**edgenuity algebra 2 semester 1 answers acscu net** - Oct 24 2021

web cumulative exam edgenuity algebra 1 getexamen com e2020 algebra 2 semester 2 answers 0 0 anonymous 5 years ago 1 r had to be negative and strong which was

*edgenuity answer key r edgenuity reddit* - Sep 15 2023

web aug 30 2020 edgenuity answer key dm is preferable i m remaking this so it ll be more coherent i ve been adding the answer key to my world history and biology course i

**e2020 answers for algebra 1 free download borrow and** - Nov 24 2021

web jun 29 2017 e2020 answers for algebra 1 to get supplementary information on edgenuity answers english 1 kindly go here addeddate 2017 06 29 06 38 16

**edgenuity answers algebra 1 semester 2 answers for 2023** - Aug 14 2023

web 4017 edgenuity answers algebra 1 semester 2 added by request 2211 kb s 9250 algebra 1 for credit recovery 1200315 cpalms org 4 12 graph the solutions to a

*edgenuity algebra 2 answer pdf free download* - Jul 13 2023

web 1edgenuity algebra 2 answer free pdf ebook download edgenuity algebra 2 answer download or read online ebook edgenuity algebra 2 answer in pdf format from the

**edgenuity algebra 1b answers** - May 31 2022

web some of the lecture answer key pairs include polynomials factoring relations and matrices ordered like this subject semester lecture quiz sections

*edgenuity algebra 1 unit test answers answers for 2023 exams* - Mar 09 2023

web 10947 edgenuity algebra 1 unit test answers most popular 114 kb s 5550 edgenuity algebra 1 unit test answers 4249 kb s 4661 edgenuity algebra 1 unit test answers

[common core algebra 1 edgenuity answers ams istanbul edu](#) - Oct 04 2022

web answer key for the algebra 2 workbook mon core 1st edition terms and conditions why 70 edgenuity answers algebra 2

aias25 e2020 algebra 2 semester 1 answer key

**algebra 2 answers r edgenuity reddit** - Apr 10 2023

web 14 16 16 comments top add a comment 222luva 2 yr ago i just finished alg 2 got most my answers from brainly quizlet sometimes just randomly on the internet it

edgenuity algebra 2 unit test review flashcards and study sets - Apr 29 2022

web learn edgenuity algebra 2 unit test review with free interactive flashcards choose from 5 000 different sets of edgenuity algebra 2 unit test review flashcards on quizlet

macmillan tiger team 3 ejercicios harvard university - Mar 09 2023

web macmillan tiger team 3 ejercicios right here we have countless book macmillan tiger team 3 ejercicios and collections to check out we additionally manage to pay for

**macmillan tiger team 3 ejercicios bk swordsswords com** - May 31 2022

web tiger team 3 ejerciciostiger team 3 ejercicios macmillan tiger team 3 ejercicios as recognized adventure as well as experience virtually lesson amusement as with ease

*macmillan tiger team 3 ejercicios db mwpai edu* - Dec 06 2022

web macmillan tiger team 3 ejercicios 5 5 antonymy and hyponymy are presented as summarising patterns of entailment the sense of a word is seen as the contributions it

macmillan tiger team 3 ejercicios gny salvationarmy org - Apr 10 2023

web sep 1 2023 difficulty as perspicacity of this macmillan tiger team 3 ejercicios can be taken as competently as picked to act mindset carol s dweck 2007 12 26 from the

**macmillan tiger team 3 ejercicios 2022 retreat vedantaworld** - Oct 04 2022

web macmillan tiger team 3 ejercicios 1 macmillan tiger team 3 ejercicios right here we have countless book macmillan tiger team 3 ejercicios and collections to check out

macmillan tiger team 3 ejercicios pdf 2023 voto uneal edu - Jan 27 2022

web macmillan tiger team 3 ejercicios pdf in a world inundated with monitors and the cacophony of instant conversation the profound energy and psychological resonance of

macmillan tiger team 3 ejercicios doc read treca org - Nov 05 2022

web download file pdf macmillan tiger team 3 ejercicios macmillan tiger team 3 ejercicios the tiger time activity book offers further skills practice complementing the

macmillan tiger team 3 ejercicios stackdockeridp fixspec com - Oct 24 2021

web macmillan tiger team 3 ejercicios tiger team 3 activity book pág 45 act 2 macmillan american tiger class code activation



shark attack tiger 3 unit 6 tiger 1 animated

**macmillan tiger team 3 ejercicios pdf ams istanbul edu** - Jun 12 2023

web 2 macmillan tiger team 3 ejercicios 2022 06 28 very imaginative it narrates revenge also it revolves around the main character heathcliff wuthering heights is his

**ebook macmillan tiger team 3 ejercicios** - Sep 03 2022

web shadow tiger 3 jan 31 2022 the dynamic duo team of chuck dixon and graham nolan bring the third issue of their newest vigilante creation shadow tiger rajan

**macmillan tiger team 3 ejercicios 2022** - Apr 29 2022

web macmillan tiger team 3 ejercicios little bugs 1 insights level 3 who are the actors in the latin america and caribbean china relationship keys to grammar for english

*tiger 3 activity book ejercicios de inglés docsity* - Aug 14 2023

web jul 6 2022 tiger 3 activity book ejercicios de inglés 5 1 20 puntos descarga denunciar documento inglés 14 páginas 2021 2022 descripción tiger 3 macmillan trero primaria

*macmillan tiger team 3 ejercicios drupal db thinkbluedata com* - Sep 22 2021

web getting the books macmillan tiger team 3 ejercicios now is not type of challenging means you could not and no one else going subsequently ebook increase or library or

macmillan tiger team 3 ejercicios gny salvationarmy org - Jul 01 2022

web aug 20 2023 right here we have countless ebook macmillan tiger team 3 ejercicios and collections to check out we additionally offer variant types and then type of the

macmillan tiger team primary 3 pupil s book pdf pdf scribd - Jul 13 2023

web 324642195 macmillan tiger team primary 3 pupil s book pdf free download as pdf file pdf or read online for free scribd is the world s largest social reading and

**macmillan tiger team 3 ejercicios community moldex3d** - Nov 24 2021

web if you seek to download and install the macmillan tiger team 3 ejercicios it is no question simple then before currently we extend the belong to to purchase and make

macmillan tiger team 3 ejercicios gny salvationarmy org - Mar 29 2022

web sep 2 2023 macmillan tiger team 3 ejercicios as recognized adventure as with ease as experience nearly lesson amusement as well as bargain can be gotten by just

**macmillan tiger team 3 ejercicios doblespacio uchile** - Aug 02 2022

web macmillan tiger team 3 ejercicios 1 macmillan tiger team 3 ejercicios recognizing the quirk ways to get this books

macmillan tiger team 3 ejercicios is additionally

**macmillan tiger team 3 ejercicios drupal db thinkbluedata com** - Dec 26 2021

web macmillan tiger team 3 ejercicios 1 macmillan tiger team 3 ejercicios right here we have countless book macmillan tiger team 3 ejercicios and collections to check out

**macmillan tiger team 3 ejercicios organic plumvillage org** - Feb 25 2022

web macmillan tiger team 3 ejercicios 5 5 and strategies to help you do the same and how to use this insight to be more fulfilled confident and successful in life and in work in

mercedes blog tiger 1º 6º - May 11 2023

web review 1st ep audios 1º 6º englishmilagrosa cuaderno de verano 1º y 2º ep actividades de verano 1º ep summer activities 1º

macmillan tiger team 3 ejercicios pdf - Jan 07 2023

web macmillan tiger team 3 ejercicios 1 macmillan tiger team 3 ejercicios right here we have countless book macmillan tiger team 3 ejercicios and collections to check out

**tiger 3 folder quizlet** - Feb 08 2023

web tiger 3 sort end of year show extra vocabulary 4 terms unit 3 physical exercises 6 terms macmillanpolska teacher unit 3 numbers 10 100 10 terms