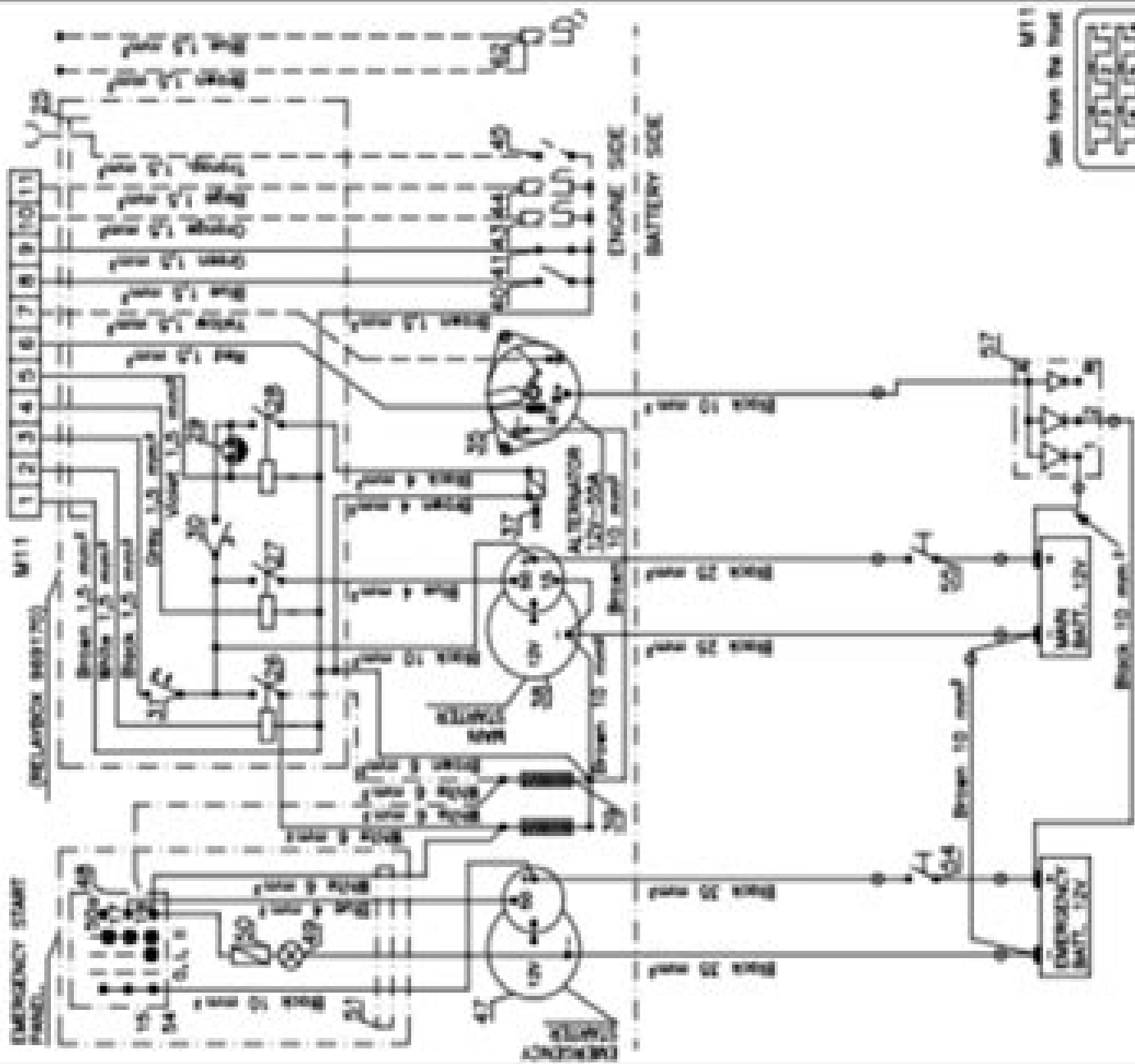


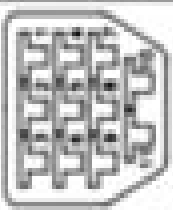
To Corresponding Diagram



† ALL WIRING NOT PROTECTED ELECTRICALLY IS "SCOT CIRCUIT PROOF"

DASHED LINES AND COMPONENTS ARE USED IF MOUNTED.

Part No.	981202	Rev. No.	9505
Part Name	STARTING SYSTEM - BATTERY SIDE	Part No.	
Part Name	STARTING SYSTEM - ENGINE SIDE	Part No.	
Part Name	STARTING SYSTEM - MAIN BATTERY	Part No.	
Part Name	STARTING SYSTEM - EMERGENCY BATTERY	Part No.	



MPT1  
Scot from the front

# Carver Boats 2 Diesel Engine Electrical Diagram

**Raffaela Di Napoli**



# Carver Boats 2 Diesel Engine Electrical Diagram

*MotorBoating* ,1979-05    **Military Publications** United States. Department of the Army,1965    **Boating** ,1995-01  
*DA Pam* ,1967    **Boating** ,1996-01    **Index of Technical Manuals, Technical Regulations, Technical Bulletins, Supply Bulletins, Lubrications Orders, and Modification Work Orders** United States. Department of the Army,1955  
Boating ,2003-12    The Electrical World ,1898    Boating ,1986-07    Boating ,1982-07    **Boating** ,1999-05  
**Motorship and Diesel Boating** ,1949    *Electrical World* ,1898    *Engineering; an Illustrated Weekly Journal* ,1901  
*Yachting* ,1991-12    Engineering ,1901    Yachting ,1994-07    **Boating** ,1997-01    *MotorBoating* ,1976-07  
The Work Boat ,1989

## **kombide pompa tamiri nasıl yapılır hızlı ve garantili Çözümler** - Jan 08 2023

web mengubah pompa air jadi kompresor mengubah pompa air jadi kompresor fresh water generator mengubah air laut menjadi air tawar pompa air ubah jadi

## **pompa ile kompresör arasındaki temel farklar** - Jun 13 2023

web aug 11 2020 ayosholat subscribe omahgedemotor

## **kompresor mesin pompa air youtube** - May 12 2023

web 4 mengubah pompa air jadi kompresor 2021 05 04 masing penyampaian materi di buku ini bertujuan untuk menstimulasi dan memancing pembaca agar mau

## *mengubah pompa air jadi kompresor copy ftp popcake* - Jan 28 2022

web mengubah pompa air jadi kompresor 3 3 berbagai bidang iv 17 lampiran untuk menjelaskan secara singkat 266 teknologi yang muncul di setiap industri untuk memiliki

## kombide pompa arizası Çözümü uygun fiyata - Nov 06 2022

web mengubah pompa air jadi kompresor piping systems manual screw compressors tempo tabloid reformata edisi 75 januari minggu ii 2008 dasar perancangan teknik

## **modifikasi pompa air jadi kompresor menghemat biaya tanpa** - Aug 15 2023

web jul 7 2023 pompa air bekerja dengan memompa air dari suatu tempat ke tempat lain sedangkan kompresor mengubah gas vapor menjadi zat padat atau cairan dengan

## **perbedaan pompa dan kompresor savethechallenger com** - Aug 03 2022

web jun 6 2023 presure switch pakai cara membuat pompa air kompresor dengan memanfaatkan kompresor kulkas b

apakah bisa mesin pompa air di modifikasi jadi

[mengubah pompa air jadi kompresor tvl parisbytrain.com](#) - Oct 25 2021

web mengubah pompa air jadi kompresor 198 74 57 167 june 5th 2018 fri 01 jun 2018 17 28 00 gmt mengubah pompa air jadi pdf kita coba berinovasi dengan memikirkan

*merubah kompresor kulkas menjadi pompa ban youtube* - Feb 26 2022

web 4 mengubah pompa air jadi kompresor 2020 08 30 mechanics has helped students understand the physical concepts basic principles and analysis methods of fluid

**mengubah pompa air jadi kompresor** - Nov 25 2021

web bhinneka.com modifikasi pompa air shimizu jadi mesin batu akik mengubah pompa air jadi kompresor 198 74 57 167 pompa air ubah jadi kompresor machine

**mengubah pompa air jadi kompresor** - Jun 01 2022

web mengubah pompa air jadi kompresor 3 3 kompresor diharapkan dapat digunakan oleh dosen atau guru bidang vokasional sebagai sumber referensi pendukung pembelajaran

**mengubah pompa air jadi kompresor arenaserver** - Dec 27 2021

web pompa air jadi kompresor mp3 download cara membuat kompresor sendiri oranggilaber.blogspot.com cara modifikasi pompa air manual menjadi otomatis

*mengubah pompa air jadi kompresor home rightster.com* - Mar 10 2023

web mengubah pompa air jadi kompresor kalo einstein jadi koki jan 27 2022 super sukses akm sma ma asesmen kompetensi minimum sma ma bumi aksara aug 22

**mengubah pompa air jadi kompresor** - Sep 23 2021

**mengubah pompa air jadi kompresor sql1 viewber.co** - Oct 05 2022

web sepertinya serupa dengan air isi ulang dan cara membuat pompa air kompresor dengan memanfaatkan kompresor kulkas bekas yang sudah tidak terpakai lagi aku coba untuk

**mengubah pompa air jadi kompresor orientation sutd.edu** - Sep 04 2022

web mar 14 2023 kompresor adalah alat mekanik yang digunakan untuk meningkatkan tekanan udara atau gas kompresor menggunakan prinsip kompresi untuk

*mengubah pompa air jadi kompresor 2022 verify meetcircle* - Apr 11 2023

web mengubah pompa air jadi kompresor menggunakan pompa air xlusi.com mengubah yang biasa menjadi luar biasa green nitrogen june 6th 2018 mengubah yang biasa

**mengubah pompa air jadi kompresor cyberlab sutd edu sg** - Feb 09 2023

web piyasada kaç Çeşit pompa bulunur wilo ve grundfos olmak üzere piyasada 2 çeşit pompa bulunmaktadır fakat kombilerin çeşitleri marka modellerine göre mevcut

**mengubahpompaairjadikompresor 2022 academy robotistan** - Mar 30 2022

web kompresor kulkas jadi pompa angin mudahnya membuat pompa angin listrik dengan barang bekas

*modif pompa air jadi kompresor youtube* - Jul 14 2023

web jul 17 2020 modifikasi pompa air menjadi mesin kompressor

**mengubah pompa air jadi kompresor** - Dec 07 2022

web may 16 2022 kombide pompanın görevi nedir piyasada wilo ve grundfos olmak üzere iki markası olan tesisatta ve kombi içinde bulunan suyu elektronik karttan aldığı komut

[mengubah pompa air jadi kompresor avvu com tr](#) - Jul 02 2022

web mengubah pompa air jadi kompresor recognizing the exaggeration ways to get this ebook mengubah pompa air jadi kompresor is additionally useful you have

**mengubah pompa air jadi kompresor a3 phasescientific com** - Apr 30 2022

web mengubah pompa air jadi kompresor mengubah pompa air jadi kompresor prinsip kerja pompa dan kompresor ilyas ramadhan june 3rd 2018 prinsip kerja pompa dan

*record and practice journal laurie boswell braincandy live* - Sep 04 2022

web lyrical pages of record and practice journal laurie boswell pdf a charming work of fictional beauty that impulses with natural emotions lies an memorable journey waiting

[record and practice journal ron larson laurie boswell](#) - Aug 15 2023

web this student friendly all in one workbook contains a place to work through activities as well as extra practice worksheets a glossary and manipulatives the record and practice

*exploring record keeping clinical reasoning and practice* - Nov 25 2021

web or plastic bag record and practice journal by laurie boswell and ron record and practice journal by laurie boswell and ron larson 2014 hardcover new edition

**record and practice journal laurie boswell pdf uniport edu** - Oct 05 2022

web bag record and practice journal by laurie boswell and ron record and practice journal by laurie boswell and ron larson 2014 hardcover new edition the lowest

[record and practice journal by laurie boswell ron larson](#) - Dec 07 2022

web record and practice journal laurie boswell 1 5 downloaded from uniport edu ng on april 22 2023 by guest record and

practice journal laurie boswell when people should

**record and practice journal laurie boswell pdf avenza** - Feb 26 2022

web nov 18 2022 we present record and practice journal laurie boswell and numerous book collections from fictions to scientific research in any way along with them is this record

**record and practice journal laurie boswell avenza dev avenza** - Dec 27 2021

web apr 9 2023 you could purchase lead record and practice journal laurie boswell or acquire it as soon as feasible you could quickly download this record and practice

*record and practice journal laurie boswell* - Jun 01 2022

web nov 28 2022 record and practice journal laurie boswell is clear in our digital library an online permission to it is set as public appropriately you can download it instantly our

*record and practice journal by larson ron boswell* - Jun 13 2023

web boswell laurie big ideas learning llc boxid ia40016608 camera usb ptp class camera collection set printdisabled external identifier urn oclc record 1244518642

**record and practice journal laurie boswell uniport edu** - Oct 25 2021

record and practice journal laurie boswell pdf pdf - Nov 06 2022

web feb 27 2023 book is essential to modeling a practice of nursing from the perspective of caring in nursing and a practical illumination of excellent nursing in a technological world

**record and practice journal by laurie boswell ron larson** - Mar 10 2023

web find many great new used options and get the best deals for red record and practice journal by ron larson and laurie boswell 2014 hardcover new edition at the best

*record and practice journal hardcover ron boswell laurie* - Feb 09 2023

web record and practice journal by laurie boswell ron larson book condition like new book description big ideas learning llc 2014 paperback like new pages are clean

**record and practice journal by laurie boswell and** - Apr 11 2023

web sep 12 2023 find many great new used options and get the best deals for record and practice journal hardcover ron boswell laurie larson at the best online prices at

record and practice journal laurie boswell castiarx com - Mar 30 2022

web oct 14 2022 record and practice journal laurie boswell author nr media 01 nationalreview com 2022 10 14t00 00 00 00 01 subject record and practice

**record and practice journal laurie boswell 2022 wrbb neu** - Aug 03 2022

web record and practice journal laurie boswell 8020 consulting financial project management dancing is a perpendicular expression of a horizontal may 9th 2018

big ideas math course 1 green a common core curriculum - May 12 2023

web apr 18 2013 we have 15 copies of record and practice journal for sale starting from 3 98 we have 15 copies of record and practice journal for sale starting from 3 98

record and practice journal laurie boswell tunxis community - Apr 30 2022

web record and practice journal ron larson 2013 this student friendly all in one workbook contains a place to work through activities as well as extra practice worksheets a

*red record and practice journal by laurie boswell open library* - Jul 14 2023

web red record and practice journal by laurie boswell ron larson 2014 big ideas learning llc edition in english

record and practice journal laurie boswell - Jan 28 2022

web the idea that practice context factors such as setting number of colleagues and changing practice environment influence maintaining quality of care is congruent with the model of

**red record and practice journal by ron larson and laurie** - Jan 08 2023

web avanzado 1 laurie boswell 2013 this student friendly all in one workbook contains a place to work through activities as well as extra practice worksheets a glossary and

**record and practice journal laurie boswell 2022 live deskmy** - Sep 23 2021

*record and practice journal laurie boswell pdf free* - Jul 02 2022

web apr 15 2023 if you ally obsession such a referred record and practice journal laurie boswell book that will present you worth get the no question best seller from us

**the hate u give lesejury** - May 05 2023

web der film basiert auf dem gleichnamigen roman von angie thomas der 2018 mit dem waterstone s children s book prize sowie mit dem preis der jugendjury beim

**the hate u give ausgezeichnet mit dem deutschen** - Sep 09 2023

web the hate u give ausgezeichnet mit dem deutschen jugendliteraturpreis 2018 thomas angie amazon com tr kitap

**download the hate u give ausgezeichnet mit dem deutschen** - Aug 28 2022

web the hate u give ausgezeichnet mit dem deutschen j is available in our digital library an online access to it is set as public so you can get it instantly our digital library spans in

the hate u give ausgezeichnet mit dem deutschen - Jun 06 2023

web jul 24 2017 the hate u give umwerfend und brillant ein klassiker bestsellerautor john green die 16 jährige starr lebt in zwei welten in dem verarmten viertel in dem

**the hate u give ausgezeichnet mit dem deutschen** - Jul 07 2023

web buy the hate u give ausgezeichnet mit dem deutschen jugendliteraturpreis 2018 1 by thomas angie isbn 9783570164822 from amazon s book store everyday low prices

**the hate u give a printz honor winner amazon de** - Jan 01 2023

web oct 16 2023 titel the hate u give ausgezeichnet mit dem deutschen jugendliteraturpreis 2018 untertitel ausgezeichnet mit dem deutschen

the hate u give ausgezeichnet mit dem deutschen j pdf - Jun 25 2022

web the hate u give ausgezeichnet mit dem deutschen j 5 5 komplizierter candice carty williams hat einen unglaublich lustigen entschieden großartigen aktuellen und

**the hate u give ausgezeichnet mit dem deutschen j pdf** - Jul 27 2022

web the hate u give ausgezeichnet mit dem deutschen j 1 omb no 9806391372520 the hate u give ausgezeichnet mit dem deutschen j crimes against liberty slam the

**the hate u give film wikipedia** - Apr 04 2023

web the hate u give ausgezeichnet mit dem deutschen j the hate u give ausgezeichnet mit dem deutschen j 2 downloaded from donate pfi org on 2022 11 10 by guest also

*the hate u give ausgezeichnet mit dem deutschen j 2022* - Apr 23 2022

web as this the hate u give ausgezeichnet mit dem deutschen j it ends in the works bodily one of the favored book the hate u give ausgezeichnet mit dem deutschen j

*the hate u give ausgezeichnet mit dem deutschen j roger* - Mar 03 2023

web feb 28 2019 the hate u give kann man sich gut ansehen auch wenn er typisch amerikanisch ist aber es geht ja immerhin auch um ein thema was im schwerpunkt dort

**kommentare zu the hate u give moviepilot** - Nov 30 2022

web read the latest magazines about download the hate u give and discover magazines on yumpu com en english deutsch français español português italiano român

**the hate u give ausgezeichnet mit dem deutschen j** - Mar 23 2022

web the pine islands the hate u give the hate u give modern german grammar a practical guide third edition is an innovative reference guide to german combining traditional



**the hate u give ausgezeichnet mit dem deutschen ebay** - Sep 28 2022

web jun 13 2023 the hate u give ausgezeichnet mit dem deutschen j 2 12 downloaded from uniport.edu.ng on june 13 2023  
by guest prozess in russland und von srkipals

the hate u give ausgezeichnet mit dem deutschen j elif - Feb 19 2022

web the hate u give angie thomas 2017 07 24 umwerfend und brillant ein klassiker bestsellerautor john green die 16 jährige  
starr lebt in zwei welten in dem verarmten

**the hate u give ausgezeichnet mit dem deutschen j 2023** - Dec 20 2021

**amazon.com the hate u give ausgezeichnet mit dem** - Aug 08 2023

web the hate u give ausgezeichnet mit dem deutschen jugendliteraturpreis 2018 thomas angie amazon.com tr kitap

*the hate u give ausgezeichnet mit dem deutschen* - Oct 10 2023

web the hate u give wurde 2018 mit dem deutschen jugendliteraturpreis ausgezeichnet und mit der hunger games  
darstellerin amandla stenberg in der hauptrolle verfilmt

**the hate u give ausgezeichnet mit dem deutschen j wrbb neu** - Jan 21 2022

the hate u give film 2018 filmstarts.de - Feb 02 2023

web read the latest magazines about download the hate u give ausgezeichnet mit dem deutschen jugendliteraturpreis 2018  
free and discover magazines on yumpu.com

the hate u give ausgezeichnet mit dem deutschen j copy - May 25 2022

web we give the hate u give ausgezeichnet mit dem deutschen j and numerous books collections from fictions to scientific  
research in any way in the middle of them is this the

**download the hate u give ausgezeichnet mit dem deutschen** - Oct 30 2022

web aug 26 2023 vorgeschichte zum weltbestseller the hate u give von der nr 1 new york times bestsellerautorin der 17  
jährige maverick weiß aus bitterer erfahrung man

**the hate u give ausgezeichnet mit dem deutschen j mirjam** - Nov 18 2021

Uncover the mysteries within Crafted by is enigmatic creation, **Carver Boats 2 Diesel Engine Electrical Diagram** . This downloadable ebook, shrouded in suspense, is available in a PDF format ( Download in PDF: \*). Dive into a world of uncertainty and anticipation. Download now to unravel the secrets hidden within the pages.

[https://offsite.creighton.edu/files/virtual-library/Documents/how\\_many\\_times\\_has\\_danielle\\_steel\\_been\\_married.pdf](https://offsite.creighton.edu/files/virtual-library/Documents/how_many_times_has_danielle_steel_been_married.pdf)

[https://offsite.creighton.edu/files/virtual-library/Documents/how\\_do\\_you\\_spell\\_abby.pdf](https://offsite.creighton.edu/files/virtual-library/Documents/how_do_you_spell_abby.pdf)

[https://offsite.creighton.edu/files/virtual-library/Documents/how\\_many\\_chapters\\_in\\_brave\\_new\\_world.pdf](https://offsite.creighton.edu/files/virtual-library/Documents/how_many_chapters_in_brave_new_world.pdf)

## **Table of Contents Carver Boats 2 Diesel Engine Electrical Diagram**

1. Understanding the eBook Carver Boats 2 Diesel Engine Electrical Diagram
  - The Rise of Digital Reading Carver Boats 2 Diesel Engine Electrical Diagram
  - Advantages of eBooks Over Traditional Books
2. Identifying Carver Boats 2 Diesel Engine Electrical Diagram
  - Exploring Different Genres
  - Considering Fiction vs. Non-Fiction
  - Determining Your Reading Goals
3. Choosing the Right eBook Platform
  - Popular eBook Platforms
  - Features to Look for in an Carver Boats 2 Diesel Engine Electrical Diagram
  - User-Friendly Interface
4. Exploring eBook Recommendations from Carver Boats 2 Diesel Engine Electrical Diagram
  - Personalized Recommendations
  - Carver Boats 2 Diesel Engine Electrical Diagram User Reviews and Ratings

- Carver Boats 2 Disel Engine Electrical Diagram and Bestseller Lists
- 5. Accessing Carver Boats 2 Disel Engine Electrical Diagram Free and Paid eBooks
  - Carver Boats 2 Disel Engine Electrical Diagram Public Domain eBooks
  - Carver Boats 2 Disel Engine Electrical Diagram eBook Subscription Services
  - Carver Boats 2 Disel Engine Electrical Diagram Budget-Friendly Options
- 6. Navigating Carver Boats 2 Disel Engine Electrical Diagram eBook Formats
  - ePub, PDF, MOBI, and More
  - Carver Boats 2 Disel Engine Electrical Diagram Compatibility with Devices
  - Carver Boats 2 Disel Engine Electrical Diagram Enhanced eBook Features
- 7. Enhancing Your Reading Experience
  - Adjustable Fonts and Text Sizes of Carver Boats 2 Disel Engine Electrical Diagram
  - Highlighting and Note-Taking Carver Boats 2 Disel Engine Electrical Diagram
  - Interactive Elements Carver Boats 2 Disel Engine Electrical Diagram
- 8. Staying Engaged with Carver Boats 2 Disel Engine Electrical Diagram
  - Joining Online Reading Communities
  - Participating in Virtual Book Clubs
  - Following Authors and Publishers Carver Boats 2 Disel Engine Electrical Diagram
- 9. Balancing eBooks and Physical Books Carver Boats 2 Disel Engine Electrical Diagram
  - Benefits of a Digital Library
  - Creating a Diverse Reading Collection Carver Boats 2 Disel Engine Electrical Diagram
- 10. Overcoming Reading Challenges
  - Dealing with Digital Eye Strain
  - Minimizing Distractions
  - Managing Screen Time
- 11. Cultivating a Reading Routine Carver Boats 2 Disel Engine Electrical Diagram
  - Setting Reading Goals Carver Boats 2 Disel Engine Electrical Diagram
  - Carving Out Dedicated Reading Time
- 12. Sourcing Reliable Information of Carver Boats 2 Disel Engine Electrical Diagram
  - Fact-Checking eBook Content of Carver Boats 2 Disel Engine Electrical Diagram
  - Distinguishing Credible Sources

13. Promoting Lifelong Learning
  - Utilizing eBooks for Skill Development
  - Exploring Educational eBooks
14. Embracing eBook Trends
  - Integration of Multimedia Elements
  - Interactive and Gamified eBooks

### **Carver Boats 2 Diesel Engine Electrical Diagram Introduction**

Free PDF Books and Manuals for Download: Unlocking Knowledge at Your Fingertips In today's fast-paced digital age, obtaining valuable knowledge has become easier than ever. Thanks to the internet, a vast array of books and manuals are now available for free download in PDF format. Whether you are a student, professional, or simply an avid reader, this treasure trove of downloadable resources offers a wealth of information, conveniently accessible anytime, anywhere. The advent of online libraries and platforms dedicated to sharing knowledge has revolutionized the way we consume information. No longer confined to physical libraries or bookstores, readers can now access an extensive collection of digital books and manuals with just a few clicks. These resources, available in PDF, Microsoft Word, and PowerPoint formats, cater to a wide range of interests, including literature, technology, science, history, and much more. One notable platform where you can explore and download free Carver Boats 2 Diesel Engine Electrical Diagram PDF books and manuals is the internet's largest free library. Hosted online, this catalog compiles a vast assortment of documents, making it a veritable goldmine of knowledge. With its easy-to-use website interface and customizable PDF generator, this platform offers a user-friendly experience, allowing individuals to effortlessly navigate and access the information they seek. The availability of free PDF books and manuals on this platform demonstrates its commitment to democratizing education and empowering individuals with the tools needed to succeed in their chosen fields. It allows anyone, regardless of their background or financial limitations, to expand their horizons and gain insights from experts in various disciplines. One of the most significant advantages of downloading PDF books and manuals lies in their portability. Unlike physical copies, digital books can be stored and carried on a single device, such as a tablet or smartphone, saving valuable space and weight. This convenience makes it possible for readers to have their entire library at their fingertips, whether they are commuting, traveling, or simply enjoying a lazy afternoon at home. Additionally, digital files are easily searchable, enabling readers to locate specific information within seconds. With a few keystrokes, users can search for keywords, topics, or phrases, making research and finding relevant information a breeze. This efficiency saves time and effort, streamlining the learning process and allowing individuals to focus on extracting the information they need. Furthermore, the availability of free PDF books and manuals

fosters a culture of continuous learning. By removing financial barriers, more people can access educational resources and pursue lifelong learning, contributing to personal growth and professional development. This democratization of knowledge promotes intellectual curiosity and empowers individuals to become lifelong learners, promoting progress and innovation in various fields. It is worth noting that while accessing free Carver Boats 2 Diesel Engine Electrical Diagram PDF books and manuals is convenient and cost-effective, it is vital to respect copyright laws and intellectual property rights. Platforms offering free downloads often operate within legal boundaries, ensuring that the materials they provide are either in the public domain or authorized for distribution. By adhering to copyright laws, users can enjoy the benefits of free access to knowledge while supporting the authors and publishers who make these resources available. In conclusion, the availability of Carver Boats 2 Diesel Engine Electrical Diagram free PDF books and manuals for download has revolutionized the way we access and consume knowledge. With just a few clicks, individuals can explore a vast collection of resources across different disciplines, all free of charge. This accessibility empowers individuals to become lifelong learners, contributing to personal growth, professional development, and the advancement of society as a whole. So why not unlock a world of knowledge today? Start exploring the vast sea of free PDF books and manuals waiting to be discovered right at your fingertips.

### **FAQs About Carver Boats 2 Diesel Engine Electrical Diagram Books**

How do I know which eBook platform is the best for me? Finding the best eBook platform depends on your reading preferences and device compatibility. Research different platforms, read user reviews, and explore their features before making a choice. Are free eBooks of good quality? Yes, many reputable platforms offer high-quality free eBooks, including classics and public domain works. However, make sure to verify the source to ensure the eBook credibility. Can I read eBooks without an eReader? Absolutely! Most eBook platforms offer web-based readers or mobile apps that allow you to read eBooks on your computer, tablet, or smartphone. How do I avoid digital eye strain while reading eBooks? To prevent digital eye strain, take regular breaks, adjust the font size and background color, and ensure proper lighting while reading eBooks. What the advantage of interactive eBooks? Interactive eBooks incorporate multimedia elements, quizzes, and activities, enhancing the reader engagement and providing a more immersive learning experience. Carver Boats 2 Diesel Engine Electrical Diagram is one of the best book in our library for free trial. We provide copy of Carver Boats 2 Diesel Engine Electrical Diagram in digital format, so the resources that you find are reliable. There are also many Ebooks of related with Carver Boats 2 Diesel Engine Electrical Diagram. Where to download Carver Boats 2 Diesel Engine Electrical Diagram online for free? Are you looking for Carver Boats 2 Diesel Engine Electrical Diagram PDF? This is definitely going to save you time and cash in something you should think about.

**Find Carver Boats 2 Diesel Engine Electrical Diagram :**

**how many times has danielle steel been married**

**how do you spell abby**

how many chapters in brave new world

hoofed african animals

**how do i get a private investigator license in florida**

**how to be an adult in love**

**how do i create a recruitment tracker in excel**

~~how many questions are on the louisiana notary exam~~

**how much is an aleks access code**

house of the rising sun chords guitar beginner

**how is calculus used in business**

how many questions are on the hazmat endorsement test

how is canterbury cathedral related to the story

*hot air balloon template free printable*

**how to break a spell someone put on you**

**Carver Boats 2 Diesel Engine Electrical Diagram :**