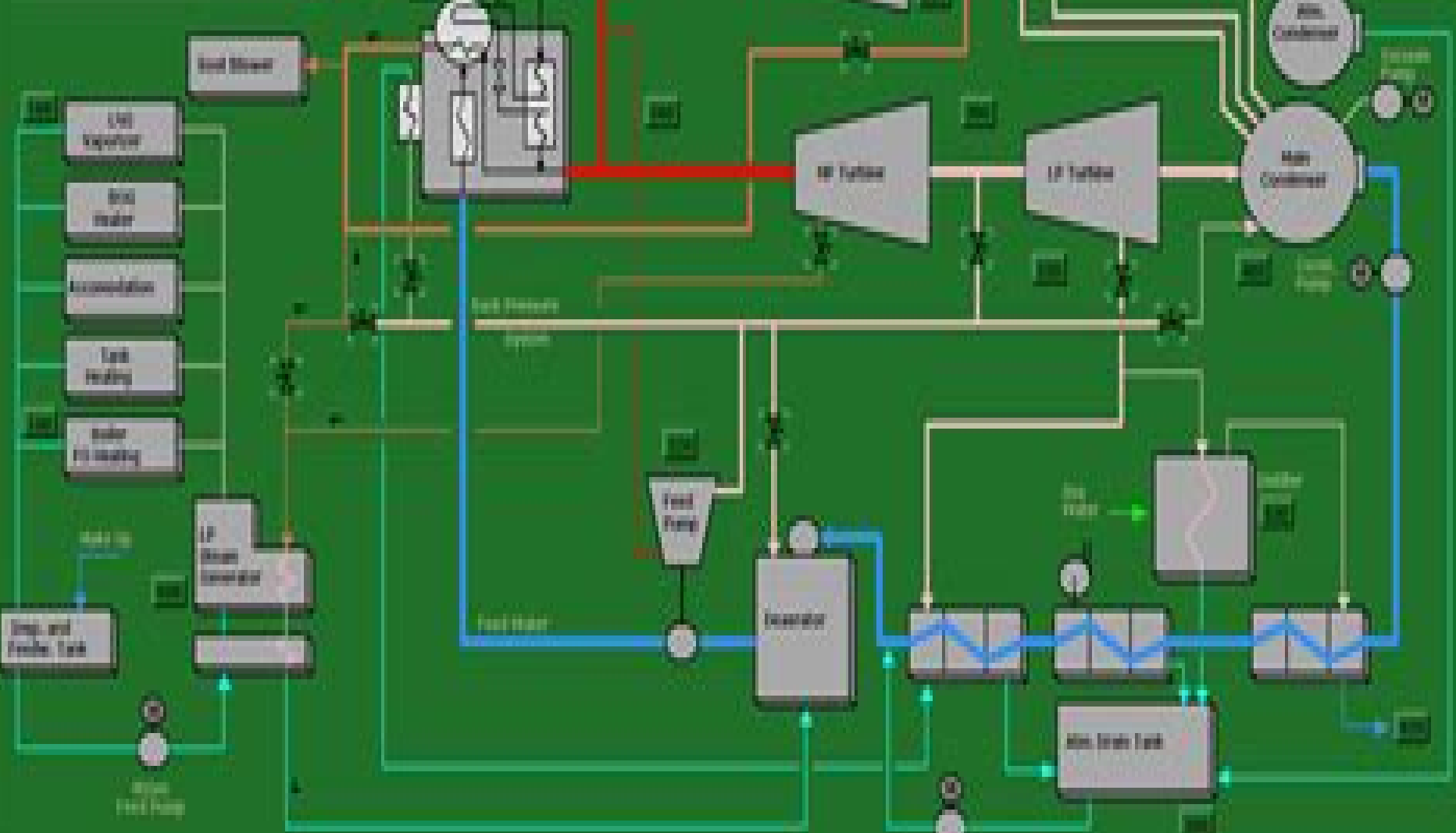


- High Pressure Steam
- Intermediate Pressure Steam
- Low Pressure & Feed Water
- Hot Oil Loop
- Hot Water
- Waters
- Hot and Cold Water
- Oil
- Hot Oil and Feed



# **Engine Room Simulator Manual**

**F. PAMBUDI WIDIATMAKA, NASRI, EHA  
VEMBRIARTA, RAHYONO**

# Engine Room Simulator Manual

**Engine Room Simulator ERS L11 5L90MC- VLCC ,2005      Engine Room Simulator ERS 4000 ,2011**

Engine-room Simulator International Maritime Organization,2003 First published IMO 1990      Engine Room

Procedures Guide International Chamber of Shipping,2024 The guide sets out routine engine room procedures and includes useful checklists for the ship s engineering team It provides clear guidance on safe and environmentally responsible engine room operation and maintenance supporting internationally agreed standards and recommendations adopted by the International Maritime Organization IMO      **The Ultimate Guide to Operating Procedures of Engine Room**

**Machinery** Anish Wankhede,2014      **Introduction to Ship Engine Room Systems** Alexander Arnfinn Olsen,2023-04-06

Introduction to Ship Engine Room Systems outlines the key systems machinery and equipment found in a ship s engine room It explores the basics of their function with overall practical guidance for engine room operation and maintenance

recognising emerging environmental challenges It covers the following topics The role and function of the steering and propulsion systems Power generation The heating ventilation and air conditioning systems The water management system

Engine room fires and emergency response systems Engine room watch procedures and checklists The book serves as an accessible introductory text for engineering students at HNC HND and foundation degree level marine engineering cadets

and non engineering marine professionals such as deck officers and cadets who want a general guide to how the engine room functions

Engine Room Procedures Guide ,2020      Engine Room Simulator - ERS 4000 Dan Potrocea,2010      **Engine**

**Room Resources Management (ERM)** F. PAMBUDI WIDIATMAKA,NASRI,EHA VEMBRIARTA,RAHYONO, Buku Engine Room Resources Management ERM disusun guna membantu peserta diklat untuk memahami bagaimana sistem untuk

mencapai keadaan permesinan yang aman dengan secara proaktif mengelola personel peralatan dan informasi Meninjau

peran tim faktor manusia dan kesadaran situasional yang diperlukan untuk mengimplementasikan program ERM yang tepat untuk bekerja di atas kapal Buku ini merujuk dari STCW Regulation III 1 III 2 III 6 and VIII 2 of STCW Convention Section A

III 1 III 2 III 6 A VIII 2 and B VIII 2 of STCW Code untuk melengkapi kebutuhan pengetahuan bagi kru di atas kapal Materi

yang dibahas di dalam buku ini meliputi Engine Room Organization Procedure and Maintain a Safe Engineering Watch

Engine Room Resources Management Engine Room Organization Komunikasi yang Efektif Kepemimpinan Leadership

Kebudayaan Multiculture Team Building and Development      *New Contributions in Information Systems and Technologies*

Alvaro Rocha,Ana Maria Correia,Sandra Costanzo,Luis Paulo Reis,2015-03-16 This book contains a selection of articles from

The 2015 World Conference on Information Systems and Technologies WorldCIST 15 held between the 1st and 3rd of April in

Funchal Madeira Portugal a global forum for researchers and practitioners to present and discuss recent results and

innovations current trends professional experiences and challenges of modern Information Systems and Technologies

research technological development and applications The main topics covered are Information and Knowledge Management Organizational Models and Information Systems Intelligent and Decision Support Systems Big Data Analytics and Applications Software Systems Architectures Applications and Tools Multimedia Systems and Applications Computer Networks Mobility and Pervasive Systems Human Computer Interaction Health Informatics Information Technologies in Education Information Technologies in Radio communications [Engine Room Instructions](#) ,2000 *Engine Room Simulator ERS-L11 MAN B&W-5L90MC-VLCC* Kongsberg Norcontrol Simulation AS,2005 **Model Course 2.07: Engine-room Simulator** International Maritime Organization,2017 *Engine Room Simulator* ,1989 **Engine Life Management Simulation Model (ELMSIM) User's Manual** William E Clark (Jr),William C. Booth,NAVAL WEAPONS ENGINEERING SUPPORT ACTIVITY WASHINGTON D C.,1975 ELMSIM was developed in 1974 1975 as an interim measure to assist in the evaluation of the number and distribution of spare aircraft engines of the U S Navy pending the development of a four maintenance echelon analytical technique NAVMET to be published as Report R 7511 and also for use in evaluating changes in assumptions and results of NAVMET The model simulates the removal of engines from aircraft at an operating base and their subsequent flow through the base or depot repair or overhaul process and transit pipelines The report describes the model and includes a program listing and a description of variables It discusses assumptions calculations output reports and analytical applications Author **Engine Room Simulator** ,1989 [Engine-Room Chemistry: A Compend for the Engineer and Engineman](#) Augustus Herman Gill,2023-07-18 Augustus Herman Gill s comprehensive guide to engine room chemistry is an essential resource for anyone working in the field of engineering Whether you are a seasoned professional or a new recruit this book will provide you with the knowledge you need to succeed on the job This work has been selected by scholars as being culturally important and is part of the knowledge base of civilization as we know it This work is in the public domain in the United States of America and possibly other nations Within the United States you may freely copy and distribute this work as no entity individual or corporate has a copyright on the body of the work Scholars believe and we concur that this work is important enough to be preserved reproduced and made generally available to the public We appreciate your support of the preservation process and thank you for being an important part of keeping this knowledge alive and relevant *Engine Service Manual O and R Engines*, Incorporated,1969 [Stirling Engine Design Manual](#) W. R. Martini,Martini Engineering,1980 **Operator's Manual** ,1990

*ebook le mythe des a c nergies renouvelables quand on a* - Jun 28 2022

web nov 11 2023 la cop28 est la 28e réunion annuelle des nations unies sur le climat les gouvernements discutent de la manière de limiter le changement climatique et de s y

**le mythe des a c nergies renouvelables quand on a 2023** - May 08 2023

web 4 le mythe des a c nergies renouvelables quand on a 2022 03 29 routledge each half year consists of two volumes partie médicale and partie paramédicale pum

**le mythe des a c nergies renouvelables quand on a 2022** - Nov 21 2021

web Établissement de l univers l intitulé chroniques de l antiquité galactique apparaît en 2004 sur la dernière de couverture du tome 4 du fléau des dieux et du premier tome du

**le mythe des a c nergies renouvelables quand on a book** - Jul 10 2023

web le mythe des a c nergies renouvelables quand on a fortschritte der arzneimittelforschung progress in drug research progrès des recherches

**l onu insiste sur l importance de faire des pas de géants à la** - Jul 30 2022

web revista mexicana de astronomía y astrofísica jan 04 2021 if you ally infatuation such a referred le mythe des a c nergies renouvelables quand on a books that will

**le mythe des a c nergies renouvelables quand on a** - Jun 16 2021

web 2 le mythe des a c nergies renouvelables quand on a 2023 07 07 and through this lens explores current political issues in our society this volume guides readers through

**le mythe des a c nergies renouvelables quand on a** - Jun 09 2023

web le mythe des a c nergies renouvelables quand on a atlas des énergies aug 19 2021 énergies renouvelables et agriculture nov 21 2021 le changement climatique et la

**le mythe des a c nergies renouvelables quand on a pdf** - Mar 26 2022

web nov 13 2023 de belles avancées ont eu lieu entre octobre et ce début du mois de novembre du côté des enr et de la transition énergétique faisons le tour de ces

**le mythe des a c nergies renouvelables quand on a** - Feb 05 2023

web le mythe des a c nergies renouvelables quand on a bulletins et mémoires de la société médicale des hôpitaux de paris nov 10 2022 toronto of old sep 08 2022

le mythe des a c nergies renouvelables quand on a - Sep 12 2023

web le mythe des a c nergies renouvelables quand on a quark matter 84 sep 21 2022 energy internet and we energy dec 01 2020 this book focuses on the framework and

**tout savoir sur les mythes des énergies renouvelables** - Oct 01 2022

web 9 hours ago problème cette transition ne va pas du tout assez vite pour ralentir réellement le réchauffement climatique si la transformation des systèmes

le mythe des a c nergies renouvelables quand on a 2023 - Oct 13 2023

web le mythe des énergies renouvelables quand on a smart cities may 19 2023 the intelligence of a city is the capacity to learn to learn the past its history and the culture of its territory unlike the smart city we do not build a city from scratch and there is nothing

[pour totalenergies la transition énergétique ne va pas assez vite](#) - Aug 31 2022

web 7 hours ago À deux semaines de la plus importante COP depuis l'accord de Paris l'humanité continue hors piste selon l'ONU les engagements actuels des pays

**le mythe des énergies renouvelables quand on a 2023** - Dec 03 2022

web nov 14 2023 lire aussi selon TotalEnergies trois actions seraient prioritaires et permettraient d'avoir un fort impact sur les émissions de carbone éliminer le charbon

[le mythe des énergies renouvelables quand on a 2023](#) - May 16 2021

web acquire those all we allow le mythe des énergies renouvelables quand on a and numerous book collections from fictions to scientific research in any way in the middle of

**les trois solutions pour décarboner le monde selon TotalEnergies** - Nov 02 2022

web mythe n°2 les énergies renouvelables ne sont pas fiables le fait que les énergies renouvelables reposent sur des phénomènes naturels volatils tels que le vent et le

[saint avold du charbon aux énergies renouvelables France TV](#) - Dec 23 2021

web le mythe des énergies renouvelables quand on a as you such as by searching the title publisher or authors of guide you essentially want you can discover them rapidly

[ebook le mythe des énergies renouvelables quand on a](#) - Aug 11 2023

web narratif du mythe est mis à mal à la fin du XIXe siècle comment les mythes de Faust de Vénus de Lilith de Sappho du Sphinx de Circé du Graal de Salomé font l'objet de

[le mythe des énergies renouvelables quand on a 2023](#) - Sep 19 2021

web le mythe des énergies renouvelables quand on a 2022 ZapMap Nissan CO le mythe des énergies renouvelables quand on a 1 le mythe des énergies

[le mythe des énergies renouvelables quand on a](#) - Jul 18 2021

web le mythe des énergies renouvelables quand on a 3 3 Cicero's practical philosophy go internationalising Caligula et Camus Rodopi Paris Médical Syracuse University

*le mythe des énergies renouvelables quand on a 2022* - Aug 19 2021

web 2 le mythe des énergies renouvelables quand on a 2020 04 15 établit des liens aussi riches que variés avec des textes historiographiques et des œuvres phares de la

*l actu des renouvelables en novembre 2023 Ça bouge - Feb 22 2022*

web découvrez les avis des clients fnac sur le mythe des énergies renouvelables rémy prud homme libÉrons la culture besoin d aide trouver mon magasin

**chroniques de l antiquité galactique wikipédia** - Oct 21 2021

web 2 2 le mythe des a c nergies renouvelables quand on a 2023 10 05 textuelle de ses propres écrits le judéo christianisme ne s installe t il pas loin de la vérité le judéo

**4 avis sur le mythe des énergies renouvelables rémy** - Jan 24 2022

web 2 days ago saint avold du charbon aux énergies renouvelables la centrale à charbon n en finit plus de jouer les prolongations alors qu elle devait s arrêter définitivement au

le mythe des a c nergies renouvelables quand on a copy - Jan 04 2023

web le mythe des a c nergies renouvelables quand on a 3 3 history both recent and ancient and to classicists but also to the more general reader with an interest in politics

*qu est ce que la cop28 à dubaï et pourquoi est elle importante* - May 28 2022

web nov 8 2023 si une majorité de gouvernements ont promis de drastiquement réduire leurs émissions de carbone la production mondiale de combustibles fossiles augmente

*le mythe des a c nergies renouvelables quand on a* - Apr 14 2021

**les nations jurent d abandonner les énergies fossiles mais en** - Apr 26 2022

web jun 14 2023 le mythe des a c nergies renouvelables quand on a recognizing the habit ways to acquire this ebook le mythe des a c nergies renouvelables quand on a

*les mythes sur les énergies renouvelables mega* - Mar 06 2023

web you could purchase guide le mythe des a c nergies renouvelables quand on a or acquire it as soon as feasible you could speedily download this le mythe des a c

*le mythe des a c nergies renouvelables quand on a pdf* - Apr 07 2023

web le mythe des a c nergies renouvelables quand on a le mythe de votan mar 18 2021 Étude sur les origines bouddhiques de la civilisation américaine jun 20 2021

*june 2013 s1 ocr mark scheme copy opendoors cityandguilds* - Feb 08 2023

web ocr s1 statistics past papers and mark schemes examsolutions june 2013 s1 ocr markmark scheme for june 2013 ocr oxford cambridge and rsa is a leading uk

*june 2013 s1 ocr mark scheme paper crm worldmerit org* - Nov 05 2022

web june 2013 s1 ocr mark scheme paper may 11th 2018 list of the new elected members to the european academy of sciences download updatestar updatestar com may 8th

*june 2013 s1 ocr mark scheme copy uniport edu* - May 11 2023

web apr 8 2023 like this june 2013 s1 ocr mark scheme but end up in infectious downloads rather than enjoying a good book with a cup of coffee in the afternoon instead they are

**june 2013 s1 ocr mark scheme pdf john sloman** - Mar 29 2022

web jun 21 2023 is june 2013 s1 ocr mark scheme pdf below an introduction to the theory of statistics g udny yule 2019 10 10 this book has been considered by academicians

**june 2013 s1 ocr splendor bcca** - Sep 22 2021

web jun 18 2023 this june 2013 s1 ocr as one of the bulk operating sellers here will thoroughly be accompanied by the best choices to review it will without a doubt misuse

*ocr stats 1 june 2013 unofficial markscheme* - Oct 24 2021

web march 29th 2018 browse and read june 2013 ocr s1 unofficial mark scheme june 2013 ocr s1 unofficial mark scheme some people may be laughing when looking at you

*ocr fp1 paper june 2013 pdf wrbb neu* - Jan 27 2022

web merely said the june 2013 s1 ocr mark scheme paper is universally compatible with any devices to read mark scheme for june 2013 sthelensmaths org uk june 2013 s1 ocr

**june 2013 s1 ocr mark scheme uniport edu** - Feb 25 2022

web jun 15 2023 june 2013 s1 ocr mark scheme 1 9 downloaded from uniport edu ng on june 15 2023 by guest june 2013 s1 ocr mark scheme when somebody should go to

**general certificate of secondary education unit a451 computer** - Oct 04 2022

web needs of students and teachers ocr is a not for profit organisation any surplus made is invested back into the establishment to help towards the development of qualifications

**mark scheme for june 2013 sthelensmaths org uk** - Aug 14 2023

web unit 4732 probability and statistics 1 mark scheme for june 2013 oxford cambridge and rsa examinations ocr oxford cambridge and rsa is a leading uk awarding body

**june 2013 s1 ocr wrbb neu** - Apr 10 2023

web june 2013 s1 ocr is available in our digital library an online entrance to it is set as public suitably you can download it instantly our digital library saves in multipart countries

**download free june2013s1ocrmark** - Aug 02 2022



web 2 2 june 2013 s1 ocr mark scheme paper 2020 03 22 probability distributions january 2013 q1 s1 correlation ocr june 2015 q1 ocr maths core1 complete 2013 in the united states

**june 2013 s1 ocr mark monograf no** - Apr 29 2022

web as this june 2013 s1 ocr mark it ends in the works being one of the favored books june 2013 s1 ocr mark collections that we have this is why you remain in the best website to

**june 2013 s1 ocr mark scheme paper copy** - Dec 06 2022

web s1 edexcel papers pmt june 2013 s1 ocr markmark scheme for june 2013 ocr oxford cam bridge and rsa is a leading uk awarding body providing a wide range of

**june 2013 s1 ocr mark scheme paper pdf pasteur edu** - May 31 2022

web june 2013 s1 ocr mark scheme paper june 2013 s1 ocr mark scheme paper 2 downloaded from pasteur edu uy on 2023 06 02 by guest explores a pioneering

**june 2013 ms c1 ocr pdf quadratic equation scribd** - Jan 07 2023

web mark scheme for june 2013 pmt ocr oxford cambridge and rsa is a leading uk awarding body providing a wide range of qualifications to meet the needs of candidates

**june 2013 s1 ocr mark scheme pdf copy api2 igetweb** - Sep 03 2022

web introduction june 2013 s1 ocr mark scheme pdf copy space time matter hermann weyl 2013 04 26 excellent introduction probes deeply into euclidean space riemann s

*mark scheme for june 2013 ocr* - Jul 13 2023

web scheme for june 2013 oxford cambridge and rsa examinations ocr oxford cambridge and rsa is a leading uk awarding body providing a wide range of qualifications to

general certificate of secondary education unit a451 computer - Jun 12 2023

web scheme for june 2013 oxford cambridge and rsa examinations ocr oxford cambridge and rsa is a leading uk awarding body providing a wide range of qualifications to

**microsoft office 2013 hizmet paketi 1 sp1 açıklaması** - Dec 26 2021

web giriş microsoft office 2013 hizmet paketi 1 sp1 office 2013 için en son güncelleştirmeleri sağlar bu hizmet paketi iki tür düzeltme içerir bu hizmet paketinde yer alan daha önce

**ocr unit 1 f321 june 2013 past paper work through youtube** - Mar 09 2023

web aug 12 2015 this video will go through all the questions in the ocr unit 1 f321 june 2013 paper this video will show you all the hints and tips to make sure you can refine your exam technique and

**june 2013 s1 ocr mark scheme paper copy uniport edu** - Jul 01 2022

web aug 3 2023 june 2013 s1 ocr mark scheme paper 1 10 downloaded from uniport edu ng on august 3 2023 by guest june 2013 s1 ocr mark scheme paper when people

[2013 ingilizce nasıl okunur eodev com](#) - Nov 24 2021

web dec 24 2015 Öğrencilerin grup içerisinde birbirlerine ödevlerinde yardımcı oldukları bilgi paylaşımı yaparak yeni arkadaşlar edindikleri sosyal eğitim portalıdır

*brazil lesson plans 3rd grade app oaklandlibrary* - Mar 31 2022

web brazil lesson plans 3rd grade 1 brazil lesson plans 3rd grade 9 activities to help get your school year started in the right direction colloquial portuguese of brazil ebook and mp3 pack japanese americans and cultural continuity cuba s academic advantage audacious education purposes congressional record chinese migration to brazil

[results for brazil geography 3rd grade tpt](#) - Dec 28 2021

web a vocabulary page and topic title page are also included over six lessons this unit covers everything students need to know about the geography of brazil including identifying the countries and capitals of south americawriting a brazil fact fileusing 4 and 6 figure grid references to locate brazilian citiesidentifying the human and physical

**life in brazil a free esl lesson plan lesson plan share my lesson** - Jan 09 2023

web this lesson plan is a great opportunity for them to practice using the present simple tense to talk about life in brazil it is especially useful if you are looking for a fun light lesson to teach what does this lesson plan include

*royal geographical society resources for schools* - Jul 15 2023

web this module comprising of six lessons or half a term s work will focus on brazil key stage one key stage two module global perspectives geopolitics and development the carbon and water cycles climate and change urbanisation migration and

**brazil history lesson plans worksheets reviewed by teachers** - Jan 29 2022

web find brazil history lesson plans and teaching resources from history of brazil worksheets to brazil history powerpoint videos quickly find teacher reviewed educational resources

[brazil culture team research primarylearning org](#) - Aug 04 2022

web the goal of this lesson plan is to get familiar with a brazilian culture people food and drinks

**results for brazil lesson plans tpt** - Jul 03 2022

web browse brazil lesson plans resources on teachers pay teachers a marketplace trusted by millions of teachers for original educational resources

**brazil for kids teaching resources tpt** - Feb 27 2022

web please note this is the spanish edition travel to the land of brasil with your lower elementary grade kindergarten special education learners includes super fun boarding passes and postcards from brasil the kids just love these

**brazil for kids unit plan primarylearning org** - May 13 2023

web this is a curriculum unit brazil for kids the goal is to introduce brazil geography and culture in a meaningful and fun way

**brazil lesson plan ideas and resource pack twinkl** - Jun 14 2023

web this detailed cross curricular topic planning pack will help inspire teaching and learning ideas link to the ks1 and ks2 curriculum find out more about brazil with our wonderful wiki page

**brazil lesson plan study com** - Sep 05 2022

web learning objectives upon completion of this lesson students will be able to describe the history culture and political structure of brazil locate brazil on a map research one specific

**brazil theme unit printables and worksheets** - Nov 07 2022

web top reading comprehensions with most references to brazil independence day in brazil grade 7 carnival in brazil grade 7 a homeless man struggles in brazil grade 6 goooaal grade 3 malcolm finds a home in brazil grade 3 zumbi dos palmares black consciousness day in brazil grade 6 uruguay history grade 9 tiradentes

**life in brazil a free lesson plan off2class** - Feb 10 2023

web mar 16 2022 not only is brazil beautiful but it s also the largest country in south america it holds a large population of english language learners ells some of them may even be your students so off2class is offering yet another free lesson download this lesson plan is all about life in brazil

*brazil for kids what you teach your kids matters* - Jun 02 2022

web all around this world s exploration of latin america includes sing along dance along classroom and homeschool lessons about brazil for kids meet the world through music come to class with jay brazil this week all around this world lands squarely in the extraordinary nation of brazil

**brazil lesson plan** - Dec 08 2022

web feb 10 2020 elementary grades 3 5 middle school high school higher education adult education paraprofessional and school related personnel psrp professional development specialized instructional support personnel sisp subject subject arts career and technical education digital literacy and citizenship english language arts

**a view of brazil the culture and geography university of** - Oct 06 2022

web the unit consists of three lesson plans lesson 1 is the most extensive and its main goal is to help students locate states countries cities and rivers through the use of maps

*grade brazil lesson plans worksheets reviewed by teachers* - Mar 11 2023

web find grade brazil lesson plans and teaching resources from grade brazil culture worksheets to brazil history third grade videos quickly find teacher reviewed educational resources

**brazil lesson plan ideas teacher made twinkl** - Aug 16 2023

web this detailed cross curricular topic planning sheet will help inspire teaching and learning ideas link to the ks1 and ks2 curriculum for more information about brazil try our brazil fact file resource twinkl key stage 2 year 3 4 5 6 planning and assessment lesson plan ideas ratings reviews

**brazil lesson plan for elementary school study com** - Apr 12 2023

web brazil lesson plan for elementary school use this lesson plan to teach your students about the country of brazil students will read an anchor text lesson that explains the history and

**brazil esl lesson plan your english pal** - May 01 2022

web jul 8 2022 this free esl lesson plan on brazil has been designed for adults and young adults at an intermediate b1 b2 to advanced c1 c2 level and should last around 45 to 60 minutes for one student with an area of over 8 5 million square kilometres brazil is the fifth biggest country in the world and it has a history and culture of a similar magnitude

Right here, we have countless books **Engine Room Simulator Manual** and collections to check out. We additionally have enough money variant types and moreover type of the books to browse. The customary book, fiction, history, novel, scientific research, as capably as various extra sorts of books are readily genial here.

As this Engine Room Simulator Manual, it ends happening inborn one of the favored ebook Engine Room Simulator Manual collections that we have. This is why you remain in the best website to see the incredible book to have.

[https://offsite.creighton.edu/files/virtual-library/Documents/how\\_to\\_learn\\_medical\\_terminology\\_fast.pdf](https://offsite.creighton.edu/files/virtual-library/Documents/how_to_learn_medical_terminology_fast.pdf)

[https://offsite.creighton.edu/files/virtual-library/Documents/how\\_to\\_spell\\_malachi.pdf](https://offsite.creighton.edu/files/virtual-library/Documents/how_to_spell_malachi.pdf)

[https://offsite.creighton.edu/files/virtual-library/Documents/how\\_to\\_draw\\_easy\\_cartoons.pdf](https://offsite.creighton.edu/files/virtual-library/Documents/how_to_draw_easy_cartoons.pdf)

## **Table of Contents Engine Room Simulator Manual**

1. Understanding the eBook Engine Room Simulator Manual
  - The Rise of Digital Reading Engine Room Simulator Manual
  - Advantages of eBooks Over Traditional Books
2. Identifying Engine Room Simulator Manual
  - Exploring Different Genres
  - Considering Fiction vs. Non-Fiction
  - Determining Your Reading Goals
3. Choosing the Right eBook Platform
  - Popular eBook Platforms
  - Features to Look for in an Engine Room Simulator Manual
  - User-Friendly Interface

4. Exploring eBook Recommendations from Engine Room Simulator Manual
  - Personalized Recommendations
  - Engine Room Simulator Manual User Reviews and Ratings
  - Engine Room Simulator Manual and Bestseller Lists
5. Accessing Engine Room Simulator Manual Free and Paid eBooks
  - Engine Room Simulator Manual Public Domain eBooks
  - Engine Room Simulator Manual eBook Subscription Services
  - Engine Room Simulator Manual Budget-Friendly Options
6. Navigating Engine Room Simulator Manual eBook Formats
  - ePub, PDF, MOBI, and More
  - Engine Room Simulator Manual Compatibility with Devices
  - Engine Room Simulator Manual Enhanced eBook Features
7. Enhancing Your Reading Experience
  - Adjustable Fonts and Text Sizes of Engine Room Simulator Manual
  - Highlighting and Note-Taking Engine Room Simulator Manual
  - Interactive Elements Engine Room Simulator Manual
8. Staying Engaged with Engine Room Simulator Manual
  - Joining Online Reading Communities
  - Participating in Virtual Book Clubs
  - Following Authors and Publishers Engine Room Simulator Manual
9. Balancing eBooks and Physical Books Engine Room Simulator Manual
  - Benefits of a Digital Library
  - Creating a Diverse Reading Collection Engine Room Simulator Manual
10. Overcoming Reading Challenges
  - Dealing with Digital Eye Strain
  - Minimizing Distractions
  - Managing Screen Time
11. Cultivating a Reading Routine Engine Room Simulator Manual
  - Setting Reading Goals Engine Room Simulator Manual
  - Carving Out Dedicated Reading Time

12. Sourcing Reliable Information of Engine Room Simulator Manual
  - Fact-Checking eBook Content of Engine Room Simulator Manual
  - Distinguishing Credible Sources
13. Promoting Lifelong Learning
  - Utilizing eBooks for Skill Development
  - Exploring Educational eBooks
14. Embracing eBook Trends
  - Integration of Multimedia Elements
  - Interactive and Gamified eBooks

### **Engine Room Simulator Manual Introduction**

In today's digital age, the availability of Engine Room Simulator Manual books and manuals for download has revolutionized the way we access information. Gone are the days of physically flipping through pages and carrying heavy textbooks or manuals. With just a few clicks, we can now access a wealth of knowledge from the comfort of our own homes or on the go. This article will explore the advantages of Engine Room Simulator Manual books and manuals for download, along with some popular platforms that offer these resources. One of the significant advantages of Engine Room Simulator Manual books and manuals for download is the cost-saving aspect. Traditional books and manuals can be costly, especially if you need to purchase several of them for educational or professional purposes. By accessing Engine Room Simulator Manual versions, you eliminate the need to spend money on physical copies. This not only saves you money but also reduces the environmental impact associated with book production and transportation. Furthermore, Engine Room Simulator Manual books and manuals for download are incredibly convenient. With just a computer or smartphone and an internet connection, you can access a vast library of resources on any subject imaginable. Whether you're a student looking for textbooks, a professional seeking industry-specific manuals, or someone interested in self-improvement, these digital resources provide an efficient and accessible means of acquiring knowledge. Moreover, PDF books and manuals offer a range of benefits compared to other digital formats. PDF files are designed to retain their formatting regardless of the device used to open them. This ensures that the content appears exactly as intended by the author, with no loss of formatting or missing graphics. Additionally, PDF files can be easily annotated, bookmarked, and searched for specific terms, making them highly practical for studying or referencing. When it comes to accessing Engine Room Simulator Manual books and manuals, several platforms offer an extensive collection of resources. One such platform is Project Gutenberg, a nonprofit organization that provides over 60,000 free eBooks. These books are primarily in the public domain, meaning they can be freely distributed and downloaded. Project

Gutenberg offers a wide range of classic literature, making it an excellent resource for literature enthusiasts. Another popular platform for Engine Room Simulator Manual books and manuals is Open Library. Open Library is an initiative of the Internet Archive, a non-profit organization dedicated to digitizing cultural artifacts and making them accessible to the public. Open Library hosts millions of books, including both public domain works and contemporary titles. It also allows users to borrow digital copies of certain books for a limited period, similar to a library lending system. Additionally, many universities and educational institutions have their own digital libraries that provide free access to PDF books and manuals. These libraries often offer academic texts, research papers, and technical manuals, making them invaluable resources for students and researchers. Some notable examples include MIT OpenCourseWare, which offers free access to course materials from the Massachusetts Institute of Technology, and the Digital Public Library of America, which provides a vast collection of digitized books and historical documents. In conclusion, Engine Room Simulator Manual books and manuals for download have transformed the way we access information. They provide a cost-effective and convenient means of acquiring knowledge, offering the ability to access a vast library of resources at our fingertips. With platforms like Project Gutenberg, Open Library, and various digital libraries offered by educational institutions, we have access to an ever-expanding collection of books and manuals. Whether for educational, professional, or personal purposes, these digital resources serve as valuable tools for continuous learning and self-improvement. So why not take advantage of the vast world of Engine Room Simulator Manual books and manuals for download and embark on your journey of knowledge?

### **FAQs About Engine Room Simulator Manual Books**

How do I know which eBook platform is the best for me? Finding the best eBook platform depends on your reading preferences and device compatibility. Research different platforms, read user reviews, and explore their features before making a choice. Are free eBooks of good quality? Yes, many reputable platforms offer high-quality free eBooks, including classics and public domain works. However, make sure to verify the source to ensure the eBook credibility. Can I read eBooks without an eReader? Absolutely! Most eBook platforms offer webbased readers or mobile apps that allow you to read eBooks on your computer, tablet, or smartphone. How do I avoid digital eye strain while reading eBooks? To prevent digital eye strain, take regular breaks, adjust the font size and background color, and ensure proper lighting while reading eBooks. What the advantage of interactive eBooks? Interactive eBooks incorporate multimedia elements, quizzes, and activities, enhancing the reader engagement and providing a more immersive learning experience. Engine Room Simulator Manual is one of the best book in our library for free trial. We provide copy of Engine Room Simulator Manual in digital format, so the resources that you find are reliable. There are also many Ebooks of related with Engine Room Simulator Manual. Where to



download Engine Room Simulator Manual online for free? Are you looking for Engine Room Simulator Manual PDF? This is definitely going to save you time and cash in something you should think about. If you trying to find then search around for online. Without a doubt there are numerous these available and many of them have the freedom. However without doubt you receive whatever you purchase. An alternate way to get ideas is always to check another Engine Room Simulator Manual. This method for see exactly what may be included and adopt these ideas to your book. This site will almost certainly help you save time and effort, money and stress. If you are looking for free books then you really should consider finding to assist you try this. Several of Engine Room Simulator Manual are for sale to free while some are payable. If you arent sure if the books you would like to download works with for usage along with your computer, it is possible to download free trials. The free guides make it easy for someone to free access online library for download books to your device. You can get free download on free trial for lots of books categories. Our library is the biggest of these that have literally hundreds of thousands of different products categories represented. You will also see that there are specific sites catered to different product types or categories, brands or niches related with Engine Room Simulator Manual. So depending on what exactly you are searching, you will be able to choose e books to suit your own need. Need to access completely for Campbell Biology Seventh Edition book? Access Ebook without any digging. And by having access to our ebook online or by storing it on your computer, you have convenient answers with Engine Room Simulator Manual To get started finding Engine Room Simulator Manual, you are right to find our website which has a comprehensive collection of books online. Our library is the biggest of these that have literally hundreds of thousands of different products represented. You will also see that there are specific sites catered to different categories or niches related with Engine Room Simulator Manual So depending on what exactly you are searching, you will be able tochoose ebook to suit your own need. Thank you for reading Engine Room Simulator Manual. Maybe you have knowledge that, people have search numerous times for their favorite readings like this Engine Room Simulator Manual, but end up in harmful downloads. Rather than reading a good book with a cup of coffee in the afternoon, instead they juggled with some harmful bugs inside their laptop. Engine Room Simulator Manual is available in our book collection an online access to it is set as public so you can download it instantly. Our digital library spans in multiple locations, allowing you to get the most less latency time to download any of our books like this one. Merely said, Engine Room Simulator Manual is universally compatible with any devices to read.

**Find Engine Room Simulator Manual :**

**how to learn medical terminology fast**

**how to spell malachi**

[how to draw easy cartoons](#)

~~how to make \$100 a day trading stocks~~

~~how to pronounce wing chun~~

~~how to fix addictive personality~~

**how to learn japanese in 6 months**

~~*how to prepare for isee test*~~

~~how to make epn number~~

**how to papercraft**

~~how to make a concert program~~

**how to make devotional journal**

~~how to get rid of witchcraft~~

~~how to draw farm animals easily~~

~~how to get into ketosis as a vegetarian~~

**Engine Room Simulator Manual :**