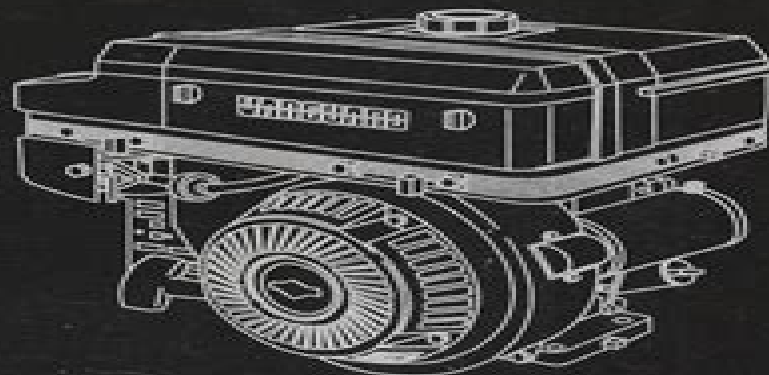
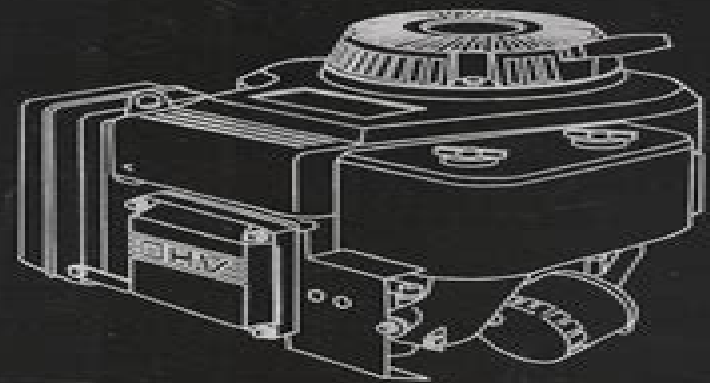
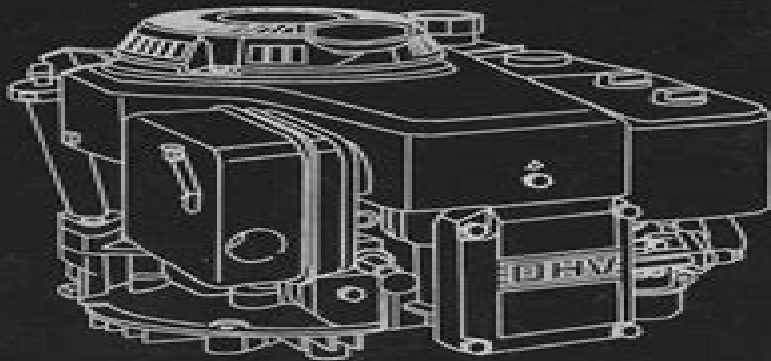




VANGUARD

Repair Manual

For Single Cylinder OHV Engines



Briggs And Stratton 18 Hp Repair Manual

Alfred C. Roth



Briggs And Stratton 18 Hp Repair Manual

Briggs and Stratton Service and Repair Manual, 1977 **Briggs & Stratton L-Head Engine Service** Penton, Penton Staff, 2000-05-24 Clymer Manuals ProSeries Briggs Stratton 2 0 12 5 hp single cylinder L head aluminum engine repair manual covers more than 55 models *Vanguard V-Twin OHV Repair Manual* Briggs & Stratton Corporation, 2004* **Vanguard V-Twin OHV Repair Manual** Vanguard, 1989 **Service Manual, Engine, Fuel & Electrical Systems (Briggs & Stratton)**. International Harvester Company, 1973 **Small Gas Engine Repair** Paul Dempsey, 1993 This popular guide is just the thing for people who seem to spend more time arguing with their lawn mowers than they do using them With **Small Gas Engine Repair** do it yourselfers can fix any small gas powered machine on the spot and save hundreds of dollars in technical fees The book is also a great source of troubleshooting and preventive maintenance techniques Enhanced illustrations and lots of new material make up this second edition including coverage of new American engines emissions testing procedures carburetor rebuilding techniques and new starter and ignition systems Japanese engines are also highlighted for the first time **Two-Stroke Engine Repair and Maintenance** Paul Dempsey, 2009-12-01 Get Peak Performance from Two Stroke Engines Do you spend more time trying to start your weed trimmer than you do enjoying your backyard With this how to guide you can win the battle with the temperamental two stroke engine Written by long time mechanic and bestselling author Paul Dempsey **Two Stroke Engine Repair Maintenance** shows you how to fix the engines that power garden equipment construction tools portable pumps mopeds generators trolling motors and more Detailed drawings schematics and photographs along with step by step instructions make it easy to get the job done quickly Save time and money when you learn how to Troubleshoot the engine to determine the source of the problem Repair magnetos and solid state systems both analog and digital ignition modules Adjust and repair float type diaphragm and variable venturi carburetors Fabricate a crankcase pressure tester Fix rewind starters of all types Overhaul engines replace crankshaft seals main bearings pistons and rings Work with centrifugal clutches V belts chains and torque converters *Small Engine Repair Manual* Curt Choate, Robert Jex, 1991 **Small Engine Care & Repair** Daniel London, 2003 Complete maintenance and repair instructions with full color photos and illustrations [Small Engines and Outdoor Power Equipment, Updated 2nd Edition](#) Editors of Cool Springs Press, 2020-09-29 This updated edition of the best selling **Small Engines and Power Equipment** is more than a simple engine repair manual Designed for the beginner with little or no mechanical experience this book is a graphically appealing step by step guide that covers all of the most important engine maintenance and repair skills you'll need to keep your equipment running at peak performance It also shows exactly how to perform mechanical upkeep and repairs on the most common outdoor power implements With new and improved content for today's motorized equipment this DIY bible includes engine and mechanical repair plus maintenance instruction for all your

outdoor power equipment including lawn mowers snow blowers chain saws power washers generators leaf blowers rototillers wood splitters lawn edgers and weed whips With clear how to photos and detailed diagrams you ll see exactly what needs to be done A comprehensive troubleshooting guide helps you define problems and enact solutions Among the many skills you ll learn are seasonal tune ups changing oil servicing spark plugs cleaning filters replacing muffler servicing the fuel tank overhauling the carburetor servicing brakes inspecting flywheels replacing the fuel pump and replacing a rewind cord With **Small Engines and Outdoor Power Equipment 2nd Edition** in your library you won t need to haul the lawn mower off to the repair center and wait a few weeks just because a filter is plugged or the old gas needs to be replaced This is a book every home owning weekend warrior should have a copy of **Small AC Generator Service Manual** ,1986 **Operator's, Organizational, Direct Support and General Support Maintenance Manual Including Repair Parts List for Grinding Machine, Valve Face, Model K403C and K500C, (K.O. Lee Co.), (NSN 4910-00-540-4679)**. ,1980

Operator, Organizational, Direct Support, and General Support Maintenance Manual Including Repair Parts List for Grinding Kit, Valve Seat (K O Lee Co, Inc) (4910-00-060-9983). ,1989 Index of Technical Manuals, Technical Regulations, Technical Bulletins, Supply Bulletins, Lubrications Orders, and Modification Work Orders United States. Department of the Army,1954 **Military Publications** United States. Department of the Army,1965 **Build a Universal coil winding machine** David J. Gingery,2015-07-27 If your hobby is amateur radio or electronics you will often need coils in a variety of size type specification etc Coils are no longer as easy to find as they were 20 years ago so you will have to wind your own With the help of this simple yet detailed manual you ll quickly build a machine that can wind universal and honey comb coils single layer and multi layer solenoids close wound and space wound coils and pi spaced coils such as those used for r f chokes and transformers And the mechanical counter gives you total control of accuracy **Small Engines Workbook** R. Bruce Radcliff,2009 *Chilton's tractor repair manual:8hp-30PTO hp ...* Chilton,1981 *Small Air-cooled Engine Service Manual, 1990-1994* ,1995 Previously published as one volume under same title **Small Gas Engines** Alfred C. Roth,2000 The text element in a teaching package that includes a teacher s manual a workbook and videos Provides information about engines with one two or three cylinders two cycle and four cycle engines and diesel and LPG engines The course is designed to prepare readers to work in the field and or obtain certification The illustrations are excelle

Mathematics of Personal Finance - Apex Learning Virtual School Our Mathematics of Personal Finance online high school course focuses on real-world financial literacy, personal finance, and business subjects. math of personal finance semester 2 exam study Flashcards Study with Quizlet and memorize flashcards containing terms like One of the aims of regulating the insurance industry is to ?, Which of the following is NOT ... apex learning answer key personal finance Apex mathematics personal finance answers. Aligns with the national standards for personal financial literacy. The program is a 2 part learning

Apex learning ... Mathematics Of Personal Finance Sem 2 Apex Page 2/4. Page 3. Read Free Mathematics Of Personal Finance Sem 2 Apex wealth management from a more rigorous perspective. It may be used in both personal ... Mathematics of Personal Finance UNIT 13: SEMESTER 2 REVIEW AND EXAM. LESSON 1: SEMESTER 2 REVIEW AND EXAM. Review: Semester 2 Review. Prepare for the semester exam by reviewing key concepts ... Mathematics of Personal Finance Flashcards 2.1.3 Quiz: Types of Wages Learn with flashcards, games, and more — for free. Mathematics Of Personal Finance Sem 1 Fill Mathematics Of Personal Finance Sem 1, Edit online. Sign, fax and printable from PC, iPad, tablet or mobile with pdfFiller ☐ Instantly. Try Now! Mathematics of Personal Finance Mathematics of Personal Finance focuses on real-world financial literacy, personal finance, and business subjects. Students. 6.8.5 Test TST - Loans and Payments Test .docx - 6.8.5... 6.8.5 Test (TST): Loans and Payments Test Mathematics of Personal Finance Sem 1 Name: Date: 6/2/2021 1. Belinda needs \$2400 fast. 20 1.6.2 Practice: What Is Money? Name: Date Practice. Financial Algebra Sem 1. Points Possible: 20. 1.6.2 Practice: What Is Money? Name: Date: 1. Frank has 24 pennies, 62 nickels, 55 dimes, 16 quarters ... Wiring Diagrams Wiring Diagrams. S1/A/S2/A · Early H1 w/CDI · S1B/C/S3/A · Early H1 w/CDI (edited) ... H2/H1D Stator · Home. Service Manuals - Pinterest Sep 27, 2019 - Repair and Service Manuals including wiring diagrams and carburetor jetting specifications. 2015 bf 750 stator wire diagram. Oct 17, 2021 — I've put a 08 engine in the 2015 but wiring for the stator is different. I plugged in every wire that would but two of the stator wire plugs ... Wiring diagrams Aug 25, 2021 — Hey does anybody have or know where I can get a wiring diagram for my 07 500r. Want to put my tail light and signals on. Thanks! 2006 Vulcan 900 Stator schematic. Oct 2, 2016 — I am in need of a stator schematic. The previous owner ruined the wiring ... Looking closer at the diagrams, it appears that Kawasaki calls out ... [86-07] - wiring diagram | Kawasaki Ninja 250R ... Dec 13, 2015 — Here you go. Caution!!! The OEM ignition switch has a 100 ohm resistor, without it the bike won't start, it's an anti-theft feature. PM310, 23hp Kawasaki Wiring Diagram Gravely 990020 (001000 -) PM310, 23hp Kawasaki Wiring Diagram Exploded View parts lookup by model. Complete exploded views of all the major manufacturers. Kawasaki Barako BC 175 Electrical Wiring Update Aug 11, 2017 — If there are no problems on the wirings and connectors; 2. Check the input to the VR, there are two wires coming from the charging coils. One is ... Handbook of Forensic Drug Analysis by Smith, Fred The Handbook of Forensic Drug Analysis is a comprehensive chemical and analytic reference for the forensic analysis of illicit drugs. Handbook of Forensic Drug Analysis - 1st Edition The Handbook of Forensic Drug Analysis is a comprehensive chemical and analytic reference for the forensic analysis of illicit drugs. HANDBOOK OF FORENSIC DRUG ANALYSIS ... drug testing and drug screenings. The Handbook of Forensic Drug Analysis is not meant for the casual reader interested in gaining an overview of illicit drugs. Handbook of Forensic Drug Analysis (Hardcover) Description. The Handbook of Forensic Drug Analysis is a comprehensive chemical and analytic reference for the forensic analysis of illicit drugs. Handbook of Forensic Drug Analysis / Edition 1 The Handbook of Forensic Drug Analysis is a comprehensive chemical and analytic reference for

the forensic analysis of illicit drugs. With chapters. Handbook of Forensic Drug Analysis - Fred Smith The Handbook of Forensic Drug Analysis is a comprehensive chemical and analytic reference for the forensic analysis of illicit drugs. Handbook of Forensic Drug Analysis - Smith, Fred The Handbook of Forensic Drug Analysis is a comprehensive chemical and analytic reference for the forensic analysis of illicit drugs. Handbook of Forensic Drug Analysis - Document by CL Winek · 2005 — Gale Academic OneFile includes Handbook of Forensic Drug Analysis by Charles L. Winek. Read the beginning or sign in for the full text. Handbook of Forensic Drug Analysis eBook : Smith, Fred The Handbook of Forensic Drug Analysis is a comprehensive chemical and analytic reference for the forensic analysis of illicit drugs. Handbook of Forensic Drug Analysis - by Fred Smith ... This Handbook discusses various forms of the drug as well as the origin and nature of samples. It explains how to perform various tests, the use of best ...

This is likewise one of the factors by obtaining the soft documents of this **Briggs And Stratton 18 Hp Repair Manual** by online. You might not require more period to spend to go to the ebook foundation as well as search for them. In some cases, you likewise accomplish not discover the statement Briggs And Stratton 18 Hp Repair Manual that you are looking for. It will enormously squander the time.

However below, like you visit this web page, it will be fittingly enormously simple to acquire as competently as download lead Briggs And Stratton 18 Hp Repair Manual

It will not give a positive response many get older as we notify before. You can complete it even though take steps something else at house and even in your workplace. appropriately easy! So, are you question? Just exercise just what we have enough money below as capably as evaluation **Briggs And Stratton 18 Hp Repair Manual** what you afterward to read!

https://offsite.creighton.edu/files/virtual-library/Documents/high_school_grammar_worksheets_pdf.pdf

https://offsite.creighton.edu/files/virtual-library/Documents/herbal_female_libido_booster.pdf

https://offsite.creighton.edu/files/virtual-library/Documents/hebrews_to_negros_wake_up.pdf

Table of Contents Briggs And Stratton 18 Hp Repair Manual

1. Understanding the eBook Briggs And Stratton 18 Hp Repair Manual
 - The Rise of Digital Reading Briggs And Stratton 18 Hp Repair Manual
 - Advantages of eBooks Over Traditional Books
2. Identifying Briggs And Stratton 18 Hp Repair Manual
 - Exploring Different Genres
 - Considering Fiction vs. Non-Fiction

- Determining Your Reading Goals
- 3. Choosing the Right eBook Platform
 - Popular eBook Platforms
 - Features to Look for in an Briggs And Stratton 18 Hp Repair Manual
 - User-Friendly Interface
- 4. Exploring eBook Recommendations from Briggs And Stratton 18 Hp Repair Manual
 - Personalized Recommendations
 - Briggs And Stratton 18 Hp Repair Manual User Reviews and Ratings
 - Briggs And Stratton 18 Hp Repair Manual and Bestseller Lists
- 5. Accessing Briggs And Stratton 18 Hp Repair Manual Free and Paid eBooks
 - Briggs And Stratton 18 Hp Repair Manual Public Domain eBooks
 - Briggs And Stratton 18 Hp Repair Manual eBook Subscription Services
 - Briggs And Stratton 18 Hp Repair Manual Budget-Friendly Options
- 6. Navigating Briggs And Stratton 18 Hp Repair Manual eBook Formats
 - ePub, PDF, MOBI, and More
 - Briggs And Stratton 18 Hp Repair Manual Compatibility with Devices
 - Briggs And Stratton 18 Hp Repair Manual Enhanced eBook Features
- 7. Enhancing Your Reading Experience
 - Adjustable Fonts and Text Sizes of Briggs And Stratton 18 Hp Repair Manual
 - Highlighting and Note-Taking Briggs And Stratton 18 Hp Repair Manual
 - Interactive Elements Briggs And Stratton 18 Hp Repair Manual
- 8. Staying Engaged with Briggs And Stratton 18 Hp Repair Manual
 - Joining Online Reading Communities
 - Participating in Virtual Book Clubs
 - Following Authors and Publishers Briggs And Stratton 18 Hp Repair Manual
- 9. Balancing eBooks and Physical Books Briggs And Stratton 18 Hp Repair Manual
 - Benefits of a Digital Library
 - Creating a Diverse Reading Collection Briggs And Stratton 18 Hp Repair Manual
- 10. Overcoming Reading Challenges
 - Dealing with Digital Eye Strain

- Minimizing Distractions
- Managing Screen Time
- 11. Cultivating a Reading Routine Briggs And Stratton 18 Hp Repair Manual
 - Setting Reading Goals Briggs And Stratton 18 Hp Repair Manual
 - Carving Out Dedicated Reading Time
- 12. Sourcing Reliable Information of Briggs And Stratton 18 Hp Repair Manual
 - Fact-Checking eBook Content of Briggs And Stratton 18 Hp Repair Manual
 - Distinguishing Credible Sources
- 13. Promoting Lifelong Learning
 - Utilizing eBooks for Skill Development
 - Exploring Educational eBooks
- 14. Embracing eBook Trends
 - Integration of Multimedia Elements
 - Interactive and Gamified eBooks

Briggs And Stratton 18 Hp Repair Manual Introduction

In the digital age, access to information has become easier than ever before. The ability to download Briggs And Stratton 18 Hp Repair Manual has revolutionized the way we consume written content. Whether you are a student looking for course material, an avid reader searching for your next favorite book, or a professional seeking research papers, the option to download Briggs And Stratton 18 Hp Repair Manual has opened up a world of possibilities. Downloading Briggs And Stratton 18 Hp Repair Manual provides numerous advantages over physical copies of books and documents. Firstly, it is incredibly convenient. Gone are the days of carrying around heavy textbooks or bulky folders filled with papers. With the click of a button, you can gain immediate access to valuable resources on any device. This convenience allows for efficient studying, researching, and reading on the go. Moreover, the cost-effective nature of downloading Briggs And Stratton 18 Hp Repair Manual has democratized knowledge. Traditional books and academic journals can be expensive, making it difficult for individuals with limited financial resources to access information. By offering free PDF downloads, publishers and authors are enabling a wider audience to benefit from their work. This inclusivity promotes equal opportunities for learning and personal growth. There are numerous websites and platforms where individuals can download Briggs And Stratton 18 Hp Repair Manual. These websites range from academic databases offering research papers and journals to online libraries with an expansive collection of books from various genres. Many authors and publishers also upload their work to specific

websites, granting readers access to their content without any charge. These platforms not only provide access to existing literature but also serve as an excellent platform for undiscovered authors to share their work with the world. However, it is essential to be cautious while downloading Briggs And Stratton 18 Hp Repair Manual. Some websites may offer pirated or illegally obtained copies of copyrighted material. Engaging in such activities not only violates copyright laws but also undermines the efforts of authors, publishers, and researchers. To ensure ethical downloading, it is advisable to utilize reputable websites that prioritize the legal distribution of content. When downloading Briggs And Stratton 18 Hp Repair Manual, users should also consider the potential security risks associated with online platforms. Malicious actors may exploit vulnerabilities in unprotected websites to distribute malware or steal personal information. To protect themselves, individuals should ensure their devices have reliable antivirus software installed and validate the legitimacy of the websites they are downloading from. In conclusion, the ability to download Briggs And Stratton 18 Hp Repair Manual has transformed the way we access information. With the convenience, cost-effectiveness, and accessibility it offers, free PDF downloads have become a popular choice for students, researchers, and book lovers worldwide. However, it is crucial to engage in ethical downloading practices and prioritize personal security when utilizing online platforms. By doing so, individuals can make the most of the vast array of free PDF resources available and embark on a journey of continuous learning and intellectual growth.

FAQs About Briggs And Stratton 18 Hp Repair Manual Books

What is a Briggs And Stratton 18 Hp Repair Manual PDF? A PDF (Portable Document Format) is a file format developed by Adobe that preserves the layout and formatting of a document, regardless of the software, hardware, or operating system used to view or print it. **How do I create a Briggs And Stratton 18 Hp Repair Manual PDF?** There are several ways to create a PDF: Use software like Adobe Acrobat, Microsoft Word, or Google Docs, which often have built-in PDF creation tools. Print to PDF: Many applications and operating systems have a "Print to PDF" option that allows you to save a document as a PDF file instead of printing it on paper. Online converters: There are various online tools that can convert different file types to PDF. **How do I edit a Briggs And Stratton 18 Hp Repair Manual PDF?** Editing a PDF can be done with software like Adobe Acrobat, which allows direct editing of text, images, and other elements within the PDF. Some free tools, like PDFescape or Smallpdf, also offer basic editing capabilities. **How do I convert a Briggs And Stratton 18 Hp Repair Manual PDF to another file format?** There are multiple ways to convert a PDF to another format: Use online converters like Smallpdf, Zamzar, or Adobe Acrobats export feature to convert PDFs to formats like Word, Excel, JPEG, etc. Software like Adobe Acrobat, Microsoft Word, or other PDF editors may have options to export or save PDFs in

different formats. **How do I password-protect a Briggs And Stratton 18 Hp Repair Manual PDF?** Most PDF editing software allows you to add password protection. In Adobe Acrobat, for instance, you can go to "File" -> "Properties" -> "Security" to set a password to restrict access or editing capabilities. Are there any free alternatives to Adobe Acrobat for working with PDFs? Yes, there are many free alternatives for working with PDFs, such as: LibreOffice: Offers PDF editing features. PDFsam: Allows splitting, merging, and editing PDFs. Foxit Reader: Provides basic PDF viewing and editing capabilities. How do I compress a PDF file? You can use online tools like Smallpdf, ILovePDF, or desktop software like Adobe Acrobat to compress PDF files without significant quality loss. Compression reduces the file size, making it easier to share and download. Can I fill out forms in a PDF file? Yes, most PDF viewers/editors like Adobe Acrobat, Preview (on Mac), or various online tools allow you to fill out forms in PDF files by selecting text fields and entering information. Are there any restrictions when working with PDFs? Some PDFs might have restrictions set by their creator, such as password protection, editing restrictions, or print restrictions. Breaking these restrictions might require specific software or tools, which may or may not be legal depending on the circumstances and local laws.

Find Briggs And Stratton 18 Hp Repair Manual :

[high school grammar worksheets pdf](#)

herbal female libido booster

hebrews to negros wake up

[hillsong church denver](#)

hezekiah walker greatest hits

[hitler in kimono](#)

[healing web free print](#)

healthcare management case studies examples

history of ramadan pdf

[her soul to take book 3](#)

hesi psychiatric mental health practice exam

[hipaa cheat sheet](#)

[healing trauma from narcissistic abuse](#)

henry hazlitt economics in one lesson

[hello kitty summer coloring pages](#)

Briggs And Stratton 18 Hp Repair Manual :