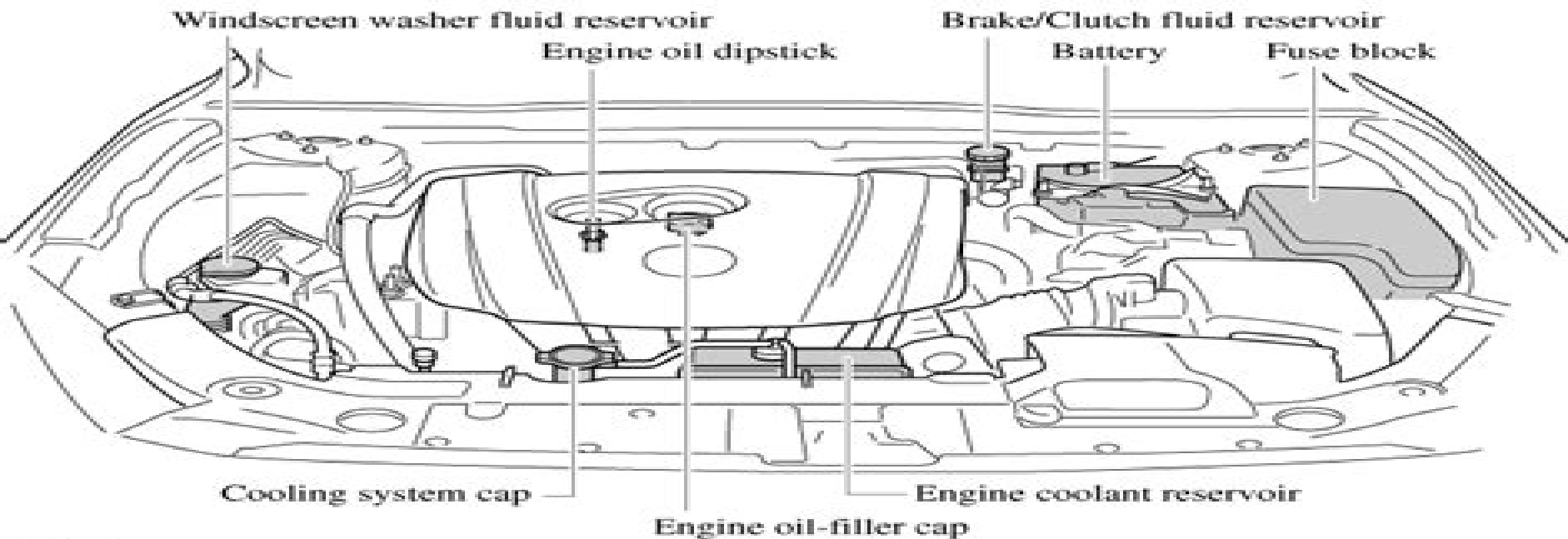
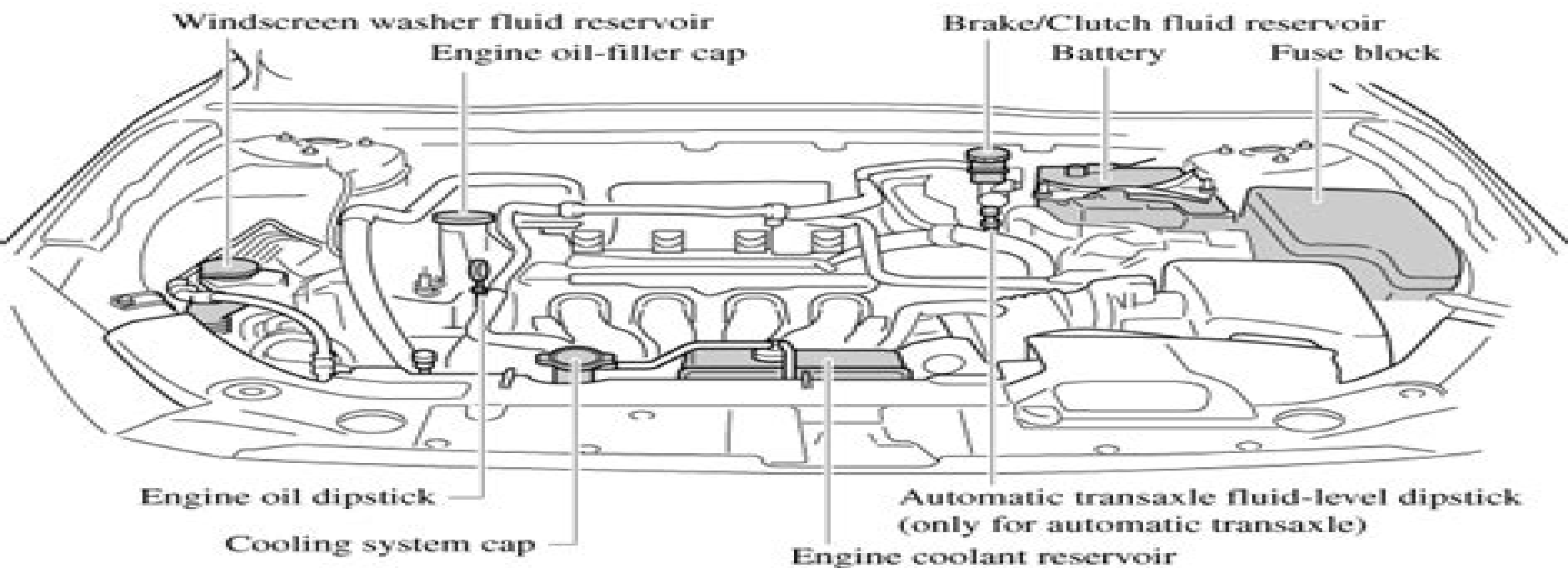


SKYACTIV-G 1.5, SKYACTIV-G 2.0, and SKYACTIV-G 2.5



MZR 1.6



2009 Mazda 3 Parts Manual

Jeff Killingsworth



2009 Mazda 3 Parts Manual

Mazda 3 Automotive Repair Manual, 2004-2011 Jeff Killingsworth, John H. Haynes, 2013-01-01 This title provides a total introduction to the maintenance and repair of the Mazda 3 *Chilton's Mazda 3 2004-2011 Repair Manual* Jeff Killingsworth, 2012 Covers U S and Canadian models of Mazda3 *The Child's Play Mazda 3* Arnaud Pauly, 2018-01-03 The Child s Play Mazda 3 explains step by step with a picture for each how to do the service of your Mazda 3 It is based on the certainty that everyone can do it if clearly explicated and shown Because it is very simple This manual is suitable for the MAZDA 3 FIRST GENERATION 2003 2007 ENGINE 1 6 L MZ CD COMMON RAIL DIESEL 109 PS 80 KW 240 N M 177 LB FT It contains an accurate list of the tools you need a detailed procedure to do your Mazda 3 service but also to check and replace your brakes pads and discs You will see an example of the service book you should keep up to date and the scheduled maintenance for all the tasks that have to be done to keep your car in the best conditions The main goal is to save money For each maintenance it will cost you from 35e to 50e maximum while it costs more than 200e at your car dealer You save at least 150e per service More than money you save time here We assure you than after the first learning you will not need more than 30 minutes Better than go to the car dealer and wait for two hours The Child s Play Maintenance manuals have the goal to allow anyone to do its car service himself We think your mechanic charge far too much for what it is and we want you to avoid this useless expense The Child s Play Mazda 3 is the first of the serie each manual is specific to a single model location of the parts are different as the way to replace them **Mazda3 2004 thru 2011** Editors of Haynes Manuals, 2011-09-15 Haynes offers the best coverage for cars trucks vans SUVs and motorcycles on the market today Each manual contains easy to follow step by step instructions linked to hundreds of photographs and illustrations Included in every manual troubleshooting section to help identify specific problems tips that give valuable short cuts to make the job easier and eliminate the need for special tools notes cautions and warnings for the home mechanic color spark plug diagnosis and an easy to use index *2020 Mazda 3, Owner Manual Compatible with OEM Owners Manual, Factory Glovebox Book* Helming, 2020-10-23 **2017 Kia Sportage Owner Manual Compatible with OEM Owners Manual, Factory Glovebox Book** Helming, 2017-09-15 **Mazda 929, 626, 323/GLC, RX-7, E-series** Mazda Motor Corporation, 1985 **Mazda3, 2004 to 2011**, 2011 **Mazda Pick-ups Automotive Repair Manual** Mike Stubblefield, John Harold Haynes, 1990 Mazda Pick-up John Harold Haynes, Peter Ward, 1986 Perpetual Trouble Shooter's Manual John Francis Rider, 1936 **Mazda Owners Workshop Manual** A. K. Legg, 1982-01-01 **Mazda MX-5 Miata 1990 Thru 2009** John H Haynes, 2010-09-01 Haynes manuals are written specifically for the do it yourselfer yet are complete enough to be used by professional mechanics Since 1960 Haynes has produced manuals written from hands on experience based on a vehicle teardown with hundreds of photos and illustrations making Haynes the world leader in automotive repair information

Lemon-Aid New Cars and Trucks 2012 Phil Edmonston,2011-12-03 Offers advice for prospective buyers of cars and trucks reveals information on secret warranties and confidential service bulletins and tells how to complain and get results
Mazda Rotary Engine Manual ,1972 *Lemon-Aid New Cars and Trucks 2013* Phil Edmonston,2012-12-01 Offers advice for prospective buyers of cars and trucks reveals information on secret warranties and confidential service bulletins and tells how to complain and get results **Mazda Pick-up Owners Workshop Manual** J. H. Haynes,1976 Road & Track ,2000-05 Lemon-Aid Used Cars and Trucks 2011-2012 Phil Edmonston,2011-04-25 As Toyota skids into an ocean of problems and uncertainty continues in the U S automotive industry Lemon Aid Used Cars and Trucks 20112012 shows buyers how to pick the cheapest and most reliable vehicles from the past 30 years Lemon Aid guides are unlike any other car and truck books on the market Phil Edmonston Canada s automotive Dr Phil for 40 years pulls no punches Like five books in one Lemon Aid Used Cars and Trucks is an expos of car scams and gas consumption lies a do it yourself service manual an independent guide that covers beaters lemons and collectibles an archive of secret service bulletins granting free repairs and a legal primer that even lawyers cant beat Phil delivers the goods on free fixes for Chrysler Ford and GM engine transmission brake and paint defects lets you know about Corvette and Mustang tops that fly off gives the lowdown on Honda Hyundai and Toyota engines and transmissions and provides the latest information on computer module glitches **Mazda Bongo Friende Service Manual** JPNZ (Firm),2006

esophagectomy mayo clinic - Apr 27 2022

web mar 5 2022 esophagectomy is the main surgical treatment for esophageal cancer it is done either to remove the cancer or to relieve symptoms during an open

master techniques in surgery esophageal surgery - Feb 23 2022

web it s time to grab a copy of master techniques in surgery esophageal surgery fully illustrated and comprising the clearest most procedural approaches to esophageal

master techniques in surgery esophageal surgery hardcover - Nov 03 2022

web it s time to grab a copy of master techniques in surgery esophageal surgery fully illustrated and comprising the clearest most procedural approaches to esophageal

master techniques in surgery esophageal surgery amazon - Jun 10 2023

web master techniques in surgery esophageal surgery luketich md james amazon sg books

master techniques in surgery esophageal surgery lww - Oct 14 2023

web it s time to grab a copy of master techniques in surgery esophageal surgery fully illustrated and comprising the clearest most procedural approaches to esophageal surgery in any textbook available today this surgical atlas distills vast stores of

knowledge from

pdf master techniques in surgery esophageal surgery - Jun 29 2022

web apr 18 2014 master techniques in surgery esophageal surgery inproceedings luketich2014masterti title master techniques in surgery

master techniques in surgery esophageal surgery 20 pdf - Sep 01 2022

web mastery of surgery based on work v series master techniques in surgery dnlm 1 esophagus surgery 2 digestive system surgical procedures methods wi 250

master techniques in surgery esophageal surgery goodreads - Mar 07 2023

web nov 1 2013 it s time to grab a copy of master techniques in surgery esophageal surgery fully illustrated and comprising the clearest most procedural approaches to esophageal surgery in any textbook available today this surgical atlas distills vast stores of knowledge from the field s most renowned surgeons into one definitive book

gale ebooks master techniques in surgery esophageal surgery - Jul 11 2023

web it s time to grab a copy of master techniques in surgery esophageal surgery fully illustrated and comprising the clearest most procedural approaches to esophageal

techniques of esophageal surgery stanford health care - Jul 31 2022

web the three main types of minimally invasive surgery for esophagectomy are laparoscopy your doctor uses a camera to view the esophagus and remove tissue and sometimes

master techniques in surgery esophageal surgery apple books - Oct 02 2022

web apr 18 2014 it s time to grab a copy of master techniques in surgery esophageal surgery fully illustrated and comprising the clearest most procedural approaches to

master techniques in surgery esophageal surgery vitalsource - Dec 04 2022

web master techniques in surgery esophageal surgery is written by james luketich and published by wolters kluwer health the digital and etextbook isbn for master

master techniques in surgery esophageal surgery amazon com - Apr 08 2023

web apr 18 2014 topics include gastroesophageal reflux disease paraesophageal hernia swallowing disorders esophageal cancer and endoscopic ablative therapies and

master techniques in surgery esophageal surgery alibris - May 09 2023

web buy master techniques in surgery esophageal surgery by james luketich md online at alibris we have new and used copies available in 1 editions starting at 208 14

master techniques in surgery esophageal surgery google play - Feb 06 2023

web master techniques in surgery esophageal surgery ebook written by james d luketich read this book using google play books app on your pc android ios devices download for offline reading highlight bookmark or take notes while you read master techniques in surgery esophageal surgery

1 master techniques in surgery esophageal surgery 1e 2014 - Mar 27 2022

web 1 master techniques in surgery esophageal surgery 1e 2014 pdf esophageal cancer cardiothoracic surgery 1 master techniques in surgery esophageal

master techniques in surgery esophageal surgery google books - Jan 05 2023

web it s time to grab a copy of master techniques in surgery esophageal surgery fully illustrated and comprising the clearest most procedural approaches to esophageal

ovid master techniques in surgery esophageal surgery - Aug 12 2023

web it s time to grab a copy of master techniques in surgery esophageal surgery fully illustrated and comprising the clearest most procedural approaches to esophageal

surgery of the esophagus textbook and atlas of surgical - May 29 2022

web basic principles in esophageal surgery surgical techniques including endoscopic and minimal invasive procedures precise drawings with operation note style text and

gastroenterological surgery esophagus wiley online library - Jan 25 2022

web thoracoscopic surgery is associated with high technical difficulty and requires significant time to master the skills involved such aspects of thoracoscopic surgery may result in

master techniques in surgery esophageal surgery surgery - Sep 13 2023

web chapter 29 open resection of esophageal leiomyoma and gist chapter 30 resection of gist and leiomyoma thoracoscopic approach part v endoscopic ablative

il silenzio del vento vendita in libri e riviste subito it - Aug 17 2022

web il silenzio del vento in vendita in libri e riviste scopri subito migliaia di annunci di privati e aziende e trova quello che cerchi su subito it chiudi novità sono disponibili i punti di ritiro con tuttosubito

il silenzio del vento jon krakauer libro mondadori store - Apr 25 2023

web dettagli recensioni in questa raccolta di articoli apparsi sulle più importanti riviste di outdoor d america infatti krakauer descrive esperienze mozzafiato proprie e altrui sulle pareti delle più ambite e difficili montagne del nord america d europa e di tutto il mondo

il silenzio del vento jon krakauer planetmountain com - Jan 22 2023

web il silenzio del vento di jon krakauer casa editrice corbaccio il silenzio del vento fa conoscere meglio ai lettori italiani l

autore di aria sottile che in questo libro scritto ben prima della tragedia all everest del 1996 con autoironia e verve dà il suo personale contributo e lo spunto per una riflessione sull alpinismo

[il silenzio del vento facebook](#) - Mar 12 2022

web il silenzio del vento 2 592 likes book

[il silenzio del vento](#) - Dec 21 2022

web un sogno che krakauer fa efficacemente rivivere ne il silenzio del vento sempre con un tocco d ironia ed arguzia nel cuore dell azione delle emozioni e contraddizioni di quell impossibile vaghissimo contorto ed affascinante mondo dell avventura e della montagna planetmountain libri

isabella pilieri pavesio del silenzio del vento 2023 - May 14 2022

web isabella pilieri pavesio del silenzio del vento 2023 epubin un futuro pandemico il detective baglioni si sveglia dal coma e inizia ad avere visioni di crimini cruenti tutti credono che siano solo allucinazioni ma lui insiste per indagare sia nel mondo reale che in quello che ha visto durante

il silenzio del vento jon krakauer google books - Mar 24 2023

web in questa raccolta di articoli apparsi sulle più importanti riviste di outdoor d america infatti krakauer descrive esperienze mozzafiato proprie e altrui sulle pareti delle più ambite e difficili montagne del nord america d europa e di tutto il mondo

il silenzio del vento jon krakauer download on z library - Feb 23 2023

web il silenzio del vento jon krakauer download on z library z library download books for free find books

il silenzio del vento la poltrona gialla - Apr 13 2022

web mar 22 2021 fu la consapevolezza di un istante maturata silenziosamente durante settimane forse mesi o anni e di colpo evidente con la rude chiarezza che accompagna il risultato delle rivoluzioni mute che segnano la naturale evoluzione e che rendono evidente il passare inesorabile del tempo

il silenzio del vento long song books - Oct 19 2022

web corbaccio 1999 224 pp rilegato partendo da un tentativo fallimentare di scalare la parete nord dell eiger per arrivare a quello riuscito di raggiungere le cime del devil s thumb krakauer ci conduce attraverso montagne e alpinisti sorprendenti mettendoci a diretto contatto con un mondo magico e inafferrabile quel

poesie sul silenzio le 15 più belle e profonde frasi mania - Feb 11 2022

web jun 10 2023 ho conosciuto il silenzio delle stelle e del mare e il silenzio della città quando si placa e il silenzio di un uomo e di una vergine e il silenzio con cui soltanto la musica trova linguaggio il silenzio dei boschi prima che sorga il vento di primavera e il silenzio dei malati quando girano gli occhi per la stanza

il silenzio del vento krakauer jon amazon com tr kitap - Aug 29 2023

web arama yapmak istediğiniz kategoriye seçin

il silenzio del vento jon krakauer libro corbaccio exploits - Jul 28 2023

web descrizione in questa raccolta di articoli apparsi sulle più importanti riviste di outdoor d america infatti krakauer descrive esperienze mozzafiato proprie e altrui sulle pareti

il silenzio del vento youtube - Jul 16 2022

web il silenzio del vento 2008 composed by carmelo gattuso

amazon it il silenzio del vento krakauer jon ferrari pietro libri - May 26 2023

web scopri il silenzio del vento di krakauer jon ferrari pietro spedizione gratuita per i clienti prime e per ordini a partire da 29 spediti da amazon

il silenzio del vento by fabio tittarelli goodreads - Jun 15 2022

web jan 11 2017 il silenzio del vento fabio tittarelli così il suo progetto di vita giorno per giorno prende forma e vigore fino ad assumere le mille tinte di un nicaragua trasudante umanità a volte picaro autoironico bonariamente straccione altre drammatico e teso dove ogni incontro accade o può accadere dove l amore sboccia o può sbocciare

frasi citazioni e aforismi sul silenzio aforisticamente - Jan 10 2022

web oct 27 2014 ho conosciuto il silenzio delle stelle e del mare il silenzio dei boschi prima che sorga il vento di primavera il silenzio di un grande amore il silenzio di una profonda pace dell anima il silenzio tra padre e figlio e il silenzio dei vecchi carichi di saggezza edgar lee masters

il silenzio del vento orsini isabel amazon com tr - Jun 27 2023

web il silenzio del vento orsini isabel amazon com tr Çerez tercihlerinizi seçin alışveriş deneyiminizi geliştirmek hizmetlerimizi sunmak müşterilerin hizmetlerimizi nasıl kullandığını anlayarak iyileştirmeler yapabilmek ve ilgi alanlarına göre özelleştirilmiş reklamlar da dahil olmak üzere reklamları gösterebilmek için

amazon it il silenzio del vento - Nov 20 2022

web amazon it il silenzio del vento passa al contenuto principale it in consegna a roma 00185 accedi per aggiornare la tua posizione tutte le categorie seleziona la categoria in

jon krakauer il silenzio del vento 2014 paradiso italiano - Sep 18 2022

web formato epub non importa quale sia la temperatura del luogo in cui vi trovate mentre leggete il silenzio del vento dopo poche pagine inizierete a battere i denti per il freddo man mano che procederete nella lettura comincerete ad apprezzare veramente le vostre dita dei piedi e delle mani e il

der große sudokublock band 3 380 kulträtsel in 3 - Jan 08 2023

web buy der große sudokublock band 3 380 kulträtsel in 3 schwierigkeitsstufen by isbn 9783625184744 from amazon s book store everyday low prices and free delivery on eligible orders

der große sudokublock band 3 380 kulträtsel in 3 - Jul 14 2023

web der große sudokublock band 3 380 kulträtsel in 3 schwierigkeitsstufen naumann göbel verlagsgesellschaft mbh isbn 9783625184744 kostenloser versand für alle bücher mit versand und verkauf duch amazon

der große sudokublock band 4 380 kulträtsel in 3 - Mar 30 2022

web der große sudokublock band 4 380 kulträtsel in 3 schwierigkeitsstufen amazon com be livres

der große sudokublock band 5 380 kulträtsel in 3 - Apr 11 2023

web der große sudokublock band 5 380 kulträtsel in 3 schwierigkeitsstufen amazon com tr kitap

der grosse sudokublock band 3 380 kultratsel in 3 download - Feb 26 2022

web 2 der grosse sudokublock band 3 380 kultratsel in 3 2020 04 08 pocketbook there are 100 3 star normal level puzzles and 100 4 star hard level puzzles solutions follow at the end the rules of sudoku twins

der grosse sudokublock band 3 380 kultratsel in 3 - Dec 27 2021

web 2 der grosse sudokublock band 3 380 kultratsel in 3 2021 03 31 happens where the crawdads sing is at once an exquisite ode to the natural world a heartbreaking coming of age story and a surprising tale of

der große sudokublock band 1 380 kulträtsel in 3 - Feb 09 2023

web der große sudokublock band 1 380 kulträtsel in 3 schwierigkeitsstufen isbn 9783625184720 kostenloser versand für alle bücher mit versand und verkauf duch amazon der große sudokublock band 1 380 kulträtsel in 3 schwierigkeitsstufen amazon de bücher

9783625184744 der große sudokublock band 3 380 kulträtsel in 3 - Jun 13 2023

web der große sudokublock band 3 380 kulträtsel in 3 schwierigkeitsstufen finden sie alle bücher von naumann göbel bei der büchersuchmaschine eurobuch com können sie antiquarische und neubücher vergleichen und sofort zum bestpreis bestellen 9783625184744 nachschub für alle sudoku fans 380 sudokus

der grosse sudokublock band 3 380 kultratsel in 3 ofried - Jun 01 2022

web grosse sudokublock band 3 380 kultratsel in 3 and numerous book collections from fictions to scientific research in any way in the course of them is this der grosse sudokublock band 3 380 kultratsel in 3 that can be your partner

der grosse sudokublock band 3 380 kultratsel in 3 2022 - Jan 28 2022

web grosse sudokublock band 3 380 kultratsel in 3 it is enormously easy then past currently we extend the associate to purchase and make bargains to download and install der grosse sudokublock band 3 380 kultratsel in 3 consequently simple

der große sudokublock band 4 380 kulträtsel in 3 - Sep 04 2022

web der große sudokublock band 4 380 kulträtsel in 3 schwierigkeitsstufen isbn 9783625186793 kostenloser versand für alle bücher mit versand und verkauf durch amazon

der große sudokublock band 2 380 kulträtsel in 3 - Dec 07 2022

web der große sudokublock band 2 380 kulträtsel in 3 schwierigkeitsstufen amazon com tr kitap

der große sudokublock band6 380 kulträtsel in 3 - Jul 02 2022

web der große sudokublock band6 380 kulträtsel in 3 schwierigkeitsstufen amazon de books

der große sudokublock band 3 380 kulträtsel in 3 - Aug 15 2023

web der große sudokublock band 3 380 kulträtsel in 3 schwierigkeitsstufen amazon com tr kitap

der große sudokublock band 1 380 kulträtsel in 3 - Oct 05 2022

web der große sudokublock band 1 380 kulträtsel in 3 schwierigkeitsstufen amazon de books

der große sudokublock band 4 380 kulträtsel in 3 - May 12 2023

web der große sudokublock band 4 380 kulträtsel in 3 schwierigkeitsstufen amazon com tr

der große sudokublock band 5 380 kulträtsel in 3 - Aug 03 2022

web der große sudokublock band 5 380 kulträtsel in 3 schwierigkeitsstufen isbn 9783625188940 kostenloser versand für alle bücher mit versand und verkauf durch amazon
der große sudokublock band 5 380 kulträtsel in 3 schwierigkeitsstufen amazon de bücher

der große sudokublock band 3 380 kulträtsel in 3 - Mar 10 2023

web der große sudokublock band 3 380 kulträtsel in 3 schwierigkeitsstufen amazon de books

der große sudokublock band 5 380 kulträtsel in 3 - Apr 30 2022

web der große sudokublock band 5 380 kulträtsel in 3 schwierigkeitsstufen amazon de books

der große sudokublock band 3 380 kulträtsel in 3 - Nov 06 2022

web der große sudokublock band 3 380 kulträtsel in 3 schwierigkeitsstufen amazon com be boeken

Discover tales of courage and bravery in Explore Bravery with is empowering ebook, Stories of Fearlessness: **2009 Mazda 3 Parts Manual** . In a downloadable PDF format (*), this collection inspires and motivates. Download now to witness the indomitable spirit of those who dared to be brave.

https://offsite.creighton.edu/files/virtual-library/Documents/my_many_colored_days_pdf.pdf

https://offsite.creighton.edu/files/virtual-library/Documents/my_butt_is_broken.pdf

https://offsite.creighton.edu/files/virtual-library/Documents/morse_creek_trailhead.pdf

Table of Contents 2009 Mazda 3 Parts Manual

1. Understanding the eBook 2009 Mazda 3 Parts Manual
 - The Rise of Digital Reading 2009 Mazda 3 Parts Manual
 - Advantages of eBooks Over Traditional Books
2. Identifying 2009 Mazda 3 Parts Manual
 - Exploring Different Genres
 - Considering Fiction vs. Non-Fiction
 - Determining Your Reading Goals
3. Choosing the Right eBook Platform
 - Popular eBook Platforms
 - Features to Look for in an 2009 Mazda 3 Parts Manual
 - User-Friendly Interface
4. Exploring eBook Recommendations from 2009 Mazda 3 Parts Manual
 - Personalized Recommendations
 - 2009 Mazda 3 Parts Manual User Reviews and Ratings

- 2009 Mazda 3 Parts Manual and Bestseller Lists
- 5. Accessing 2009 Mazda 3 Parts Manual Free and Paid eBooks
 - 2009 Mazda 3 Parts Manual Public Domain eBooks
 - 2009 Mazda 3 Parts Manual eBook Subscription Services
 - 2009 Mazda 3 Parts Manual Budget-Friendly Options
- 6. Navigating 2009 Mazda 3 Parts Manual eBook Formats
 - ePub, PDF, MOBI, and More
 - 2009 Mazda 3 Parts Manual Compatibility with Devices
 - 2009 Mazda 3 Parts Manual Enhanced eBook Features
- 7. Enhancing Your Reading Experience
 - Adjustable Fonts and Text Sizes of 2009 Mazda 3 Parts Manual
 - Highlighting and Note-Taking 2009 Mazda 3 Parts Manual
 - Interactive Elements 2009 Mazda 3 Parts Manual
- 8. Staying Engaged with 2009 Mazda 3 Parts Manual
 - Joining Online Reading Communities
 - Participating in Virtual Book Clubs
 - Following Authors and Publishers 2009 Mazda 3 Parts Manual
- 9. Balancing eBooks and Physical Books 2009 Mazda 3 Parts Manual
 - Benefits of a Digital Library
 - Creating a Diverse Reading Collection 2009 Mazda 3 Parts Manual
- 10. Overcoming Reading Challenges
 - Dealing with Digital Eye Strain
 - Minimizing Distractions
 - Managing Screen Time
- 11. Cultivating a Reading Routine 2009 Mazda 3 Parts Manual
 - Setting Reading Goals 2009 Mazda 3 Parts Manual
 - Carving Out Dedicated Reading Time
- 12. Sourcing Reliable Information of 2009 Mazda 3 Parts Manual
 - Fact-Checking eBook Content of 2009 Mazda 3 Parts Manual
 - Distinguishing Credible Sources

13. Promoting Lifelong Learning
 - Utilizing eBooks for Skill Development
 - Exploring Educational eBooks
14. Embracing eBook Trends
 - Integration of Multimedia Elements
 - Interactive and Gamified eBooks

2009 Mazda 3 Parts Manual Introduction

In this digital age, the convenience of accessing information at our fingertips has become a necessity. Whether its research papers, eBooks, or user manuals, PDF files have become the preferred format for sharing and reading documents. However, the cost associated with purchasing PDF files can sometimes be a barrier for many individuals and organizations. Thankfully, there are numerous websites and platforms that allow users to download free PDF files legally. In this article, we will explore some of the best platforms to download free PDFs. One of the most popular platforms to download free PDF files is Project Gutenberg. This online library offers over 60,000 free eBooks that are in the public domain. From classic literature to historical documents, Project Gutenberg provides a wide range of PDF files that can be downloaded and enjoyed on various devices. The website is user-friendly and allows users to search for specific titles or browse through different categories. Another reliable platform for downloading 2009 Mazda 3 Parts Manual free PDF files is Open Library. With its vast collection of over 1 million eBooks, Open Library has something for every reader. The website offers a seamless experience by providing options to borrow or download PDF files. Users simply need to create a free account to access this treasure trove of knowledge. Open Library also allows users to contribute by uploading and sharing their own PDF files, making it a collaborative platform for book enthusiasts. For those interested in academic resources, there are websites dedicated to providing free PDFs of research papers and scientific articles. One such website is Academia.edu, which allows researchers and scholars to share their work with a global audience. Users can download PDF files of research papers, theses, and dissertations covering a wide range of subjects. Academia.edu also provides a platform for discussions and networking within the academic community. When it comes to downloading 2009 Mazda 3 Parts Manual free PDF files of magazines, brochures, and catalogs, Issuu is a popular choice. This digital publishing platform hosts a vast collection of publications from around the world. Users can search for specific titles or explore various categories and genres. Issuu offers a seamless reading experience with its user-friendly interface and allows users to download PDF files for offline reading. Apart from dedicated platforms, search engines also play a crucial role in finding free PDF files. Google, for instance, has an advanced search feature that allows users to filter results by file type. By specifying the file type as "PDF," users can find websites that offer

free PDF downloads on a specific topic. While downloading 2009 Mazda 3 Parts Manual free PDF files is convenient, it's important to note that copyright laws must be respected. Always ensure that the PDF files you download are legally available for free. Many authors and publishers voluntarily provide free PDF versions of their work, but it's essential to be cautious and verify the authenticity of the source before downloading 2009 Mazda 3 Parts Manual. In conclusion, the internet offers numerous platforms and websites that allow users to download free PDF files legally. Whether it's classic literature, research papers, or magazines, there is something for everyone. The platforms mentioned in this article, such as Project Gutenberg, Open Library, Academia.edu, and Issuu, provide access to a vast collection of PDF files. However, users should always be cautious and verify the legality of the source before downloading 2009 Mazda 3 Parts Manual any PDF files. With these platforms, the world of PDF downloads is just a click away.

FAQs About 2009 Mazda 3 Parts Manual Books

How do I know which eBook platform is the best for me? Finding the best eBook platform depends on your reading preferences and device compatibility. Research different platforms, read user reviews, and explore their features before making a choice. Are free eBooks of good quality? Yes, many reputable platforms offer high-quality free eBooks, including classics and public domain works. However, make sure to verify the source to ensure the eBook's credibility. Can I read eBooks without an eReader? Absolutely! Most eBook platforms offer web-based readers or mobile apps that allow you to read eBooks on your computer, tablet, or smartphone. How do I avoid digital eye strain while reading eBooks? To prevent digital eye strain, take regular breaks, adjust the font size and background color, and ensure proper lighting while reading eBooks. What's the advantage of interactive eBooks? Interactive eBooks incorporate multimedia elements, quizzes, and activities, enhancing the reader engagement and providing a more immersive learning experience. 2009 Mazda 3 Parts Manual is one of the best books in our library for free trial. We provide a copy of 2009 Mazda 3 Parts Manual in digital format, so the resources that you find are reliable. There are also many eBooks related to 2009 Mazda 3 Parts Manual. Where to download 2009 Mazda 3 Parts Manual online for free? Are you looking for 2009 Mazda 3 Parts Manual PDF? This is definitely going to save you time and cash in something you should think about. If you're trying to find them, search around online. Without a doubt, there are numerous of these available, and many of them have the freedom. However, without a doubt, you receive whatever you purchase. An alternate way to get ideas is always to check another 2009 Mazda 3 Parts Manual. This method allows you to see exactly what may be included and adopt these ideas to your book. This site will almost certainly help you save time and effort, money, and stress. If you are looking for free books, then you really should consider finding one to assist you in trying this. Several of 2009 Mazda 3 Parts Manual are for sale, some for free while some are payable. If you're not sure if the books you would

like to download works with for usage along with your computer, it is possible to download free trials. The free guides make it easy for someone to free access online library for download books to your device. You can get free download on free trial for lots of books categories. Our library is the biggest of these that have literally hundreds of thousands of different products categories represented. You will also see that there are specific sites catered to different product types or categories, brands or niches related with 2009 Mazda 3 Parts Manual. So depending on what exactly you are searching, you will be able to choose e books to suit your own need. Need to access completely for Campbell Biology Seventh Edition book? Access Ebook without any digging. And by having access to our ebook online or by storing it on your computer, you have convenient answers with 2009 Mazda 3 Parts Manual To get started finding 2009 Mazda 3 Parts Manual, you are right to find our website which has a comprehensive collection of books online. Our library is the biggest of these that have literally hundreds of thousands of different products represented. You will also see that there are specific sites catered to different categories or niches related with 2009 Mazda 3 Parts Manual So depending on what exactly you are searching, you will be able to choose ebook to suit your own need. Thank you for reading 2009 Mazda 3 Parts Manual. Maybe you have knowledge that, people have search numerous times for their favorite readings like this 2009 Mazda 3 Parts Manual, but end up in harmful downloads. Rather than reading a good book with a cup of coffee in the afternoon, instead they juggled with some harmful bugs inside their laptop. 2009 Mazda 3 Parts Manual is available in our book collection an online access to it is set as public so you can download it instantly. Our digital library spans in multiple locations, allowing you to get the most less latency time to download any of our books like this one. Merely said, 2009 Mazda 3 Parts Manual is universally compatible with any devices to read.

Find 2009 Mazda 3 Parts Manual :

my many colored days pdf

my butt is broken

~~morse creek trailhead~~

mortgage payoff letter format

mutual of omaha mortgage available funds letter

moors lindsey d

~~moorish science books pdf~~

modern enterprise architecture

my mom died today

mothers day sermon illustrations

monthly calendar with time slots

modern real estate practice 21st edition pdf

mri knee cpt code

modern world history guided reading workbook answer key

motel rescue characters

2009 Mazda 3 Parts Manual :