

8

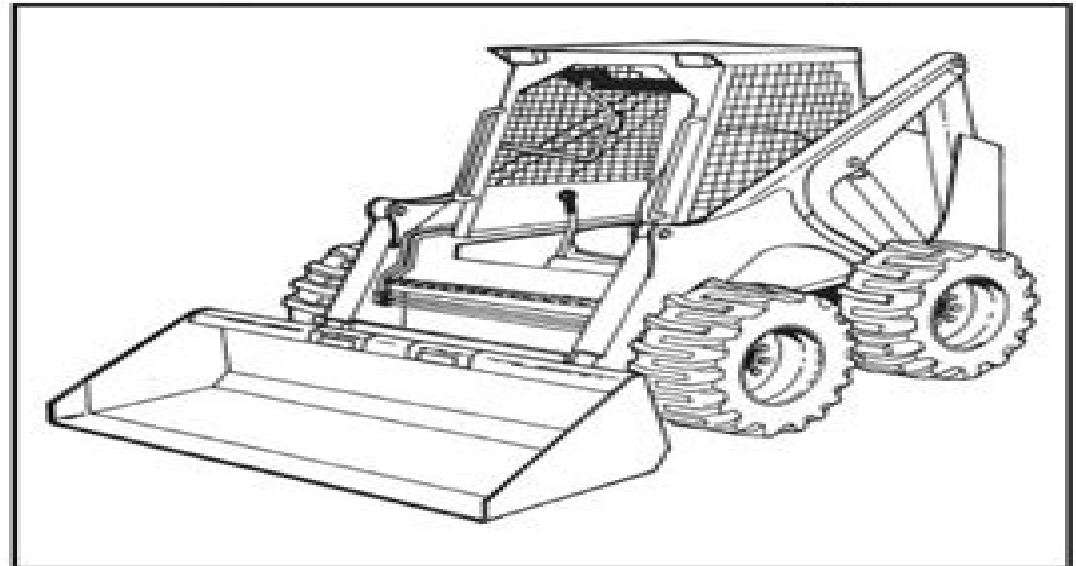
7

3



# Service Manual

(S/N 514114999 & Below)  
(S/N 514212999 & Below)



EQUIPPED WITH  
BOBCAT INTERLOCK  
CONTROL SYSTEM (BICS™)

# **Bobcat 873 Service Manual Free**

**Ray F. Hicks**



## Bobcat 873 Service Manual Free

**Field & Stream**, 1978-11 FIELD STREAM America's largest outdoor sports magazine celebrates the outdoor experience with great stories compelling photography and sound advice while honoring the traditions hunters and fishermen have passed down for generations

**Out Of Control** Kevin Kelly, 2009-04-30 Out of Control chronicles the dawn of a new era in which the machines and systems that drive our economy are so complex and autonomous as to be indistinguishable from living things

*The CB PLL Data Book* Lou Franklin, 1995

**Rise: The Brand New Autobiography** Siya Kolisi, 2021-10-04 Siya's rise from humble beginnings to lifting that World Cup trophy is the stuff of fairytales

MARCUS RASHFORD Siya Kolisi is a warrior on the field and an inspiration off it This book is an extraordinary reminder of what can be achieved with inner belief and an indefatigable spirit

JAY SHETTY

**Recent Progress in Slow Sand and Alternative Biofiltration Processes** Rolf Gimbel, Nigel Graham, M. Robin Collins, 2006-03-31 Slow sand filtration is typically cited as being the first engineered process in drinking water treatment Proven modifications to the conventional slow sand filtration process the awareness of induced biological activity in riverbank filtration systems and the growth of oxidant induced biological removals in more rapid rate filters e.g. biological activated carbon demonstrate the renaissance of biofiltration as a treatment process that remains viable for both small rural communities and major cities Biofiltration is expected to become even more common in the future as efforts intensify to decrease the presence of disease causing microorganisms and disinfection by products in drinking water to minimize microbial regrowth potential in distribution systems and where operator skill levels are emphasized

Recent Progress in Slow Sand and Alternative Biofiltration Processes provides a state of the art assessment on a variety of biofiltration systems from studies conducted around the world The authors collectively represent a perspective from 23 countries and include academics biofiltration system users designers and manufacturers It provides an up to date perspective on the physical chemical biological and operational factors affecting the performance of slow sand filtration SSF riverbank filtration RBF soil aquifer treatment SAT and biological activated carbon BAC processes The main themes are comparable overviews of biofiltration systems slow sand filtration process behavior treatment performance and process developments and alternative biofiltration process behaviors treatment performances and process developments

**Riparian Areas** National Research Council, Division on Earth and Life Studies, Board on Environmental Studies and Toxicology, Water Science and Technology Board, Committee on Riparian Zone Functioning and Strategies for Management, 2002-10-10 The Clean Water Act CWA requires that wetlands be protected from degradation because of their important ecological functions including maintenance of high water quality and provision of fish and wildlife habitat However this protection generally does not encompass riparian areas the lands bordering rivers and lakes even though they often provide the same functions as wetlands Growing recognition of the similarities in wetland and riparian area functioning and

the differences in their legal protection led the NRC in 1999 to undertake a study of riparian areas which has culminated in Riparian Areas Functioning and Strategies for Management The report is intended to heighten awareness of riparian areas commensurate with their ecological and societal values The primary conclusion is that because riparian areas perform a disproportionate number of biological and physical functions on a unit area basis restoration of riparian functions along America s waterbodies should be a national goal Nebraskaland ,1975 **Drying Hardwood Lumber** Joseph Denig,2000 Drying Hardwood Lumber focuses on common methods for drying lumber of different thickness with minimal drying defects for high quality applications This manual also includes predrying treatments that when part of an overall quality oriented drying system reduce defects and improve drying quality especially of oak lumber Special attention is given to drying white wood such as hard maple and ash without sticker shadow or other discoloration Several special drying methods such as solar drying are described and proper techniques for storing dried lumber are discussed Suggestions are provided for ways to economize on drying costs by reducing drying time and energy demands when feasible Each chapter is accompanied by a list of references Some references are cited in the chapter others are listed as additional sources of information **Midwest Furbearer Management** Glen C. Sanderson,1982 *Backpacker* ,2001-03 Backpacker brings the outdoors straight to the reader s doorstep inspiring and enabling them to go more places and enjoy nature more often The authority on active adventure Backpacker is the world s first GPS enabled magazine and the only magazine whose editors personally test the hiking trails camping gear and survival tips they publish Backpacker s Editors Choice Awards an industry honor recognizing design feature and product innovation has become the gold standard against which all other outdoor industry awards are measured *2020 National Home Improvement Estimator* Ray F. Hicks,2019-10 **Chicago Telephone Directory** Illinois Bell Telephone Company,2002 **THOMAS REGIONAL INDUSTRIAL BUYING GUIDE NORTHERN CALIFORNIA 2004** , *Northeastern Logger* ,1992 **Backpacker** ,2004-03 Backpacker brings the outdoors straight to the reader s doorstep inspiring and enabling them to go more places and enjoy nature more often The authority on active adventure Backpacker is the world s first GPS enabled magazine and the only magazine whose editors personally test the hiking trails camping gear and survival tips they publish Backpacker s Editors Choice Awards an industry honor recognizing design feature and product innovation has become the gold standard against which all other outdoor industry awards are measured *Cars & Parts* ,1985 *California Builder & Engineer* ,1993 *The Northern Logger and Timber Processor* ,1992 The Nebraskaland Magazine Book of Collector Prints ,1980 **Prairie Farmer** ,1985

[la c onard tome 32 magic ga c nie 2022 neurocme med ucla](#) - May 13 2023

web la c onard tome 32 magic ga c nie is available in our book collection an online access to it is set as public so you can download it instantly our books collection spans in multiple countries allowing you to get the most less

**la c onard tome 32 magic ga c nie pdf eshraqgroup** - Sep 05 2022

web its not quite what you need currently this la c onard tome 32 magic ga c nie pdf as one of the most working sellers here will entirely be in the course of the best options to review la c onard tome 32 magic ga c nie download only web la c onard tome 32 magic ga c nie is available in our digital library an online access to it is set as

**la c onard tome 32 magic ga c nie download only** - May 01 2022

web la c onard tome 32 magic ga c nie is available in our digital library an online access to it is set as public so you can download it instantly our book servers hosts in multiple locations allowing you to get the most less latency time to

9782803617449 lonard tome 32 magic gnie by bob de turk - Mar 11 2023

web nov 1 2004 lonard tome 32 magic gnie by bob de turk groot isbn 13 9782803617449 isbn 10 2803617447 unknown le lombard isbn 13 978 2803617449

**la c onard tome 32 magic ga c nie pdf mailreerglider** - Jul 03 2022

web right here we have countless ebook la c onard tome 32 magic ga c nie pdf and collections to check out we additionally allow variant types and next type of the books to browse the okay book fiction history

léonard tome 32 magic génie by turk gcampp licenses meras gov sa - Mar 31 2022

web a c est magic lonard tome 32 magic gnie turk bob de groot bb2q book pdf l onard tome 32 magic g nie la pagina e l archetto studylib dans la main d un magicien he lt gt e i l o l u u s v magicard magic rebellion magicrebel tu pgina l as magics disney displaysbymojo lonard tome 32 magic gnie ditions le

**download free la c onard tome 32 magic ga c nie free** - Nov 07 2022

web jul 18 2023 download free la c onard tome 32 magic ga c nie free download pdf this is likewise one of the factors by obtaining the soft documents of this la c onard tome 32 magic ga c nie by online you might not require more period to spend to go to the ebook inauguration as skillfully as search for them in some cases

l atilde copy onard tome 32 magic g atilde copy nie by - Jun 14 2023

web nov 1 2004 lÃ onard tome 32 magic gÃ nie add to cart buy now stock photo cover may be different lÃ onard tome 32 magic gÃ nie by de groot turk illustrator new hardcover condition new isbn 10

la c onard tome 32 magic ga c nie pdf pdf inequalityforall - Jan 29 2022

web william c harris jr s revolutionary new book speak nothing of the dead but good the state of georgia turns to a shadowy company called executive outcomes to create the first drug colony on u s soil fans of harris previous books will see their favorite characters taken to a place where they have never gone before

**lÃ onard tome 32 magic gÃ nie biblio** - Feb 10 2023

web home world of books ltd lÃ onard tome 32 magic gÃ nie lÃ onard tome 32 magic gÃ nie add to cart buy now click for full

size l'œuvre onard tome 32 magic g'œuvre nie by de groot used good paperback condition good isbn 10 2803617447 isbn 13 9782803617449

**l'œuvre â onard tome 31 20 ans de g'œuvre â nie by turk** - Apr 12 2023

web april 10th 2020 31 l'œuvre onard tome 32 magic g'œuvre nie by turk 32 l'œuvre onard tome 33 y a du g'œuvre nie dans l'air by turk 33 l'œuvre onard tome 34 docteur g'œuvre nie et mister a'œuvre e by turk 34 l'œuvre onard tome 35 le g'œuvre nie donne sa langue au chat by de groot 35 l'œuvre onard tome 36 le g'œuvre nie se gondole by de groot 36 l'œuvre onard tome 37 c est

amazon fr léonard tome 32 magic génie turk groot bob - Jan 09 2023

web découvrez dans ce nouvel opus comment il le puzzle le chamboule le fait fondre le tromblonne le canonne l'escopette la moulinette l'enflamme le compresse le fait suer espérons qu'au moins ses inventions révolutionneront le quotidien des générations à venir

**léonard tome 32 magic génie livre de bob de groot turk** - Aug 16 2023

web découvrez léonard tome 32 magic génie de bob de groot turk sur booknode la communauté du livre découvrez léonard tome 32 magic génie de bob de groot turk sur booknode la communauté du livre cinenode cine livres 673 321 commentaires comms 2 337 919 membres 842 386 s'identifier inscription

*ebook la c onard tome 32 magic ga c nie pdf* - Oct 06 2022

web chosen readings like this la c onard tome 32 magic ga c nie pdf but end up in infectious downloads rather than enjoying a good book with a cup of tea in the afternoon instead they are facing with some harmful virus inside their desktop computer la c onard tome 32 magic ga c nie pdf is available in our book collection an

**la c onard tome 32 magic ga c nie pdf pdf** - Jul 15 2023

web you could quickly download this la c onard tome 32 magic ga c nie pdf after getting deal so taking into consideration you require the ebook swiftly you can straight acquire it

**la c onard tome 32 magic ga c nie pdf free download** - Jun 02 2022

web free la c onard tome 32 magic ga c nie pdf book is the book you are looking for by download pdf la c onard tome 32 magic ga c nie book you are also motivated to search from other sources l'œuvre onard tome 33 y a du g'œuvre nie dans l'air by turk l'œuvre onard tome 33 y a du g'œuvre nie dans l'air by turk new york daily tribune volume new york

**la c onard tome 32 magic ga c nie 2022 digsbypizza** - Feb 27 2022

web approximately what you habit currently this la c onard tome 32 magic ga c nie as one of the most committed sellers here will totally be in the course of the best options to review la c onard tome 32 magic ga c nie downloaded from digsbypizza com by guest bryant roth bibliotheca lindesiana gale cengage includes part 1 number 1 2

**la c onard tome 32 magic ga c nie pdf download only** - Aug 04 2022

web phrases frequently go unheard yet situated within the pages of la c onard tome 32 magic ga c nie pdf a charming literary prize pulsating with organic feelings lies an exceptional journey waiting to be undertaken penned by a skilled wordsmith this wonderful opus attracts visitors on an introspective trip softly unraveling the veiled truths

**léonard tome 32 magic génie livres bd par de groot turk chez le** - Dec 08 2022

web may 11 2002 basile est un bon testeur très résistant léonard tome 32 magic génie livres bd par de groot turk chez le lombard à l achat dans la série leonard sur 9<sup>e</sup> store le spécialiste des univers

*léonard tome 32 magic génie by turk zleader sbtexas* - Dec 28 2021

web jun 3 2023 le puzzle le chamboule le fait fondre le tromblonne le canonne l escopette la moulinette l enflamme le compresse le fait suer espérons qu au moins ses inventions révolutionneront le quotidien des générations à venir

*value analysis va and value engineering ve* - Aug 14 2023

value engineering ve is concerned with new products it is applied during product development the focus is on reducing costs improving function or both by way of teamwork based product evaluation and analysis this takes place before any capital is invested in tooling plant or equipment see more

**value engineering definition meaning and how it** - Feb 08 2023

web value analysis va and value engineering ve are powerful tools to improve profitability and sustainability that maintain va ve cornerstones of function and quality while

*real world examples of value analysis and value engineering* - Jun 12 2023

a significant part of va is a technique called functional analysis where the product is broken down and reviewed as a number of assemblies here the function is identified and defined for each product assembly costs are see more

*achieving success through value engineering a case study* - Sep 22 2021

**value engineering overview history steps and** - May 11 2023

value analysis va is concerned with existing products it involves a current product being analysed and evaluated by a team to reduce see more

value analysis and value engineering va ve emschange - Mar 29 2022

web mar 17 2022 as against attainment of better engineering results is the objective of value engineering value analysis is possible when the team is having enough knowledge

**pdf value engineering value analysis and value** - May 31 2022

web dec 1 2021 likewise effective utilization of function analysis techniques is a critical element in maximizing a product s worth value engineering is an organized function based approach to the

*value analysis value engineering* - Jul 01 2022

web may 1 2015 the objective of this paper is to assess the value engineering value analysis and value management of vertical slip forming sf technology using value

**an overview of value engineering in product development and** - Apr 29 2022

web nov 2 2022 a value analysis and value engineering va ve methodology guarantees to uncover potential for long term cost reduction for you across the product lifetime while

**value engineering an overview sciencedirect topics** - Dec 06 2022

web value engineering ve is a systematic analysis of the functions of various components and materials to lower the cost of goods products and services with a tolerable loss of

value engineering wikipedia - Mar 09 2023

web book conveys the major themes of ve such as value analysis value methodology value management and fast analysis and features vast examples and case studies to

difference between value analysis and value engineering - Feb 25 2022

web jan 14 2020 value analysis also known as value engineering or methodology aims at achieving the maximum possible value for a given cost through a continuous process of

**pdf application of value analysis and value engineering for** - Nov 24 2021

web value analysis means to assess product functions and value to cost ratios and to find opportunities for costs reduction value engineering ve as we said above value

**value analysis value engineering productivity** - Jul 13 2023

this is very significant because according to many reports up to 80 of a products costs throughout the rest of its life cycle are locked in at the see more

**value engineering wbdg whole building design guide** - Oct 04 2022

web value engineering or economic functional design efd is a major cost reduction and control technique with systematic analysis to ensure that a specific product or

**what is value analysis value engineering bruschitech com** - Oct 24 2021

web value engineering is an effective problem solving technique value engineering is essentially a process which uses function analysis team work and creativity to improve

**value engineering and value analysis coursecontent** - Sep 03 2022

web value analysis and value engineering ve is a powerful change management and problem solving tool with over a century of worldwide application track record ve is



**value engineering a powerful productivity tool sciencedirect** - Jan 07 2023

web dec 31 2014 purpose of this paper was to present the methodology of analysis of the productive processes with application of value analysis and multi criterion analysis

*value engineering a vital tool for* - Apr 10 2023

note many refer to value management as an umbrella term which encompasses value engineering and value analysis see more

**the goal of value engineering and value analysis** - Nov 05 2022

web dec 1 1998 doi org 10 1016 s0360 8352 98 00116 8 get rights and content

**value analysis value engineering methodology projectcubicle** - Jan 27 2022

web value analysis va is a tool to enhance cost efficiency by evaluating the functionality of a product or a process about its cost it helps identify and eliminate unnecessary costs

**value analysis definition steps examples how it work** - Dec 26 2021

web jan 1 2020 application of value analysis and value engineering for cost reduction of global pumping unit january 2020 1 2 project management department of

value analysis and value engineering vave explained for - Aug 02 2022

web sep 7 2023 value analysis and value engineering va ve explained for oems value analysis and value engineering va va is more than a crude cost cutting exercise to

**vertigo and dizziness in general medicine oxford textbook of vertigo** - Dec 27 2021

web dizziness is a common presenting complaint to the hospital or community based generalist and a failure to make a confident diagnosis underlying the patient s complaint is frustrating this chapter covers common potential causes of vertigo which might present in primary care including drug induced dizziness and vestibular symptoms

**oxfordtextbookofvertigoandimbalanceoxfordte** - Mar 30 2022

web oxford textbook of headache syndromes oxford american handbook of neurology oxford textbook of medicine balance function assessment and management third edition with dizziness vertigo and imbalance provides the reader with an updated in depth review of the clinically relevant science and the clinical approach to

**the vestibulo autonomic system oxford textbook of vertigo** - Nov 06 2022

web feb 1 2013 yates bill j and others the vestibulo autonomic system in adolfo bronstein ed oxford textbook of vertigo and imbalance oxford textbooks in clinical neurology oxford 2013 online edn oxford academic 1 feb 2013 doi org 10 1093 med 9780199608997 003 0005 accessed 10 sept 2023

index oxford textbook of vertigo and imbalance oxford - Jan 28 2022

web index in adolfo bronstein ed oxford textbook of vertigo and imbalance oxford textbooks in clinical neurology oxford 2013 online edn oxford academic 1 feb 2013 doi org accessed 10 aug 2023

**copyright page oxford textbook of vertigo and imbalance oxford** - Feb 26 2022

web oxford textbook of vertigo and imbalance oxford textbooks in clinical neurology oxford 2013 online edn oxford academic 1 feb 2013 doi org 10 1093 med 9780199608997 002 0003 accessed 5 jan 2023

**oxford textbook of vertigo and imbalance request pdf** - Dec 07 2022

web feb 1 2013 the oxford textbook of vertigo and imbalance provides an up to date summary of the scientific basis clinical diagnosis and management of specific disorders leading to dizziness and poor

oxford textbook of vertigo and imbalance google books - Jul 14 2023

web feb 21 2013 the oxford textbook of vertigo and imbalance provides an up to date summary of the scientific basis clinical diagnosis and management of disorders leading to dizziness and poor balance this

**preface oxford textbook of vertigo and imbalance oxford** - May 12 2023

web preface in adolfo bronstein ed oxford textbook of vertigo and imbalance oxford textbooks in clinical neurology oxford 2013 online edn oxford academic 1 feb 2013 doi org 10 1093 med 9780199608997 002 0004 accessed 9 apr 2023

**oxford textbook of vertigo and imbalance oxford textbooks in** - Oct 05 2022

web abebooks com oxford textbook of vertigo and imbalance oxford textbooks in clinical neurology 9780199608997 by bronstein adolfo and a great selection of similar new used and collectible books available now at great prices

**the epidemiology of vertigo and imbalance oxford textbook of vertigo** - Apr 11 2023

web feb 1 2013 for a qualitative leap epidemiologic research on vertigo and imbalance must focus on avoidance of selection bias and misclassification this chapter gives an overview on the epidemiology of dizziness vertigo and imbalance as symptoms and of specific vestibular disorders bppv vm md and vestibular neuritis

**oxford textbook of vertigo and imbalance oxford te pdf** - Apr 30 2022

web 9780199608997 oxford textbook of vertigo and imbalance oxford textbook of vertigo and imbalance oxford textbooks oxford textbook of vertigo and imbalance online resource oxford textbook of vertigo and imbalance book neurology oxford textbook of vertigo and oxford textbook of vertigo and

**oxford textbook of vertigo and imbalance oxford te 2022** - Jul 02 2022

web oxford textbook of vertigo and imbalance oxford te 3 3 medicine and general practice these symptoms can originate from many different organs and systems such as the inner ear general medical conditions and neurological and psychological disorders the oxford textbook of vertigo and imbalance covers the scientific basis

**oxford textbook of vertigo and imbalance oxford textbooks in** - Jan 08 2023

web oxford textbook of vertigo and imbalance oxford textbooks in clinical neurology bronstein adolfo amazon com tr kitap  
**oxford textbook of vertigo and imbalance book neurology** - Mar 10 2023

web mar 18 2014 article info disclosures this article requires a subscription to view the full text if you have a subscription  
you may use the login form below to view the article access to this article can also be purchased edited by adolfo m

**oxford textbook of vertigo and imbalance oxford te full pdf** - Jun 01 2022

web imbalance by adolfo buy oxford textbook of vertigo and imbalance oxford textbooks in clinical neurology 1 by adolfo  
bronstein isbn 9780199608997 from amazon s book store everyday low prices and free delivery on eligible orders oxford  
textbook of vertigo and imbalance

*oxford textbook of vertigo and imbalance oxford te pdf app* - Aug 03 2022

web oxford textbook of vertigo and imbalance oxford te 3 3 century and it took a few more decades before this simple cure  
was accepted vertigo five physician scientists and the quest for a cure follows this centuries long trek the book follows the  
key discoveries made by prosper meniere 1799 1862

**oxford textbook of vertigo and imbalance open library** - Feb 09 2023

web oxford textbook of vertigo and imbalance by adolfo bronstein 2013 oxford university press edition in english

oxford textbook of vertigo and imbalance oxford academic - Aug 15 2023

web feb 1 2013 the oxford textbook of vertigo and imbalance provides an up to date summary of the scientific basis clinical  
diagnosis and management of specific disorders leading to dizziness and poor balance

oxford textbook of vertigo and imbalance book request pdf - Sep 04 2022

web mar 18 2014 oxford textbook of vertigo and imbalance book authors karthikeyan arcot interventional neuroassociates  
abstract dizziness and falls are ubiquitous and debilitating complaints that plague

**progressive vestibulocerebellar syndromes oxford textbook of vertigo** - Jun 13 2023

web feb 1 2013 although patients with peripheral vestibulopathy can also present with nystagmus there are important  
differences in the associated clinical features and the characteristics of the nystagmus to set apart peripheral and central  
causes of dizziness and imbalance see table 25 1

The Enigmatic Realm of **Bobcat 873 Service Manual Free**: Unleashing the Language is Inner Magic

In a fast-paced digital era where connections and knowledge intertwine, the enigmatic realm of language reveals its inherent magic. Its capacity to stir emotions, ignite contemplation, and catalyze profound transformations is nothing short of extraordinary. Within the captivating pages of **Bobcat 873 Service Manual Free** a literary masterpiece penned with a renowned author, readers set about a transformative journey, unlocking the secrets and untapped potential embedded within each word. In this evaluation, we shall explore the book's core themes, assess its distinct writing style, and delve into its lasting affect the hearts and minds of people who partake in its reading experience.

[https://offsite.creighton.edu/files/virtual-library/Documents/late\\_rent\\_notice\\_letter.pdf](https://offsite.creighton.edu/files/virtual-library/Documents/late_rent_notice_letter.pdf)

[https://offsite.creighton.edu/files/virtual-library/Documents/learn\\_chinese\\_mandarin\\_pdf.pdf](https://offsite.creighton.edu/files/virtual-library/Documents/learn_chinese_mandarin_pdf.pdf)

[https://offsite.creighton.edu/files/virtual-library/Documents/letter\\_to\\_a\\_bank\\_sample.pdf](https://offsite.creighton.edu/files/virtual-library/Documents/letter_to_a_bank_sample.pdf)

## **Table of Contents Bobcat 873 Service Manual Free**

1. Understanding the eBook Bobcat 873 Service Manual Free
  - The Rise of Digital Reading Bobcat 873 Service Manual Free
  - Advantages of eBooks Over Traditional Books
2. Identifying Bobcat 873 Service Manual Free
  - Exploring Different Genres
  - Considering Fiction vs. Non-Fiction
  - Determining Your Reading Goals
3. Choosing the Right eBook Platform
  - Popular eBook Platforms

- Features to Look for in an Bobcat 873 Service Manual Free
- User-Friendly Interface
- 4. Exploring eBook Recommendations from Bobcat 873 Service Manual Free
  - Personalized Recommendations
  - Bobcat 873 Service Manual Free User Reviews and Ratings
  - Bobcat 873 Service Manual Free and Bestseller Lists
- 5. Accessing Bobcat 873 Service Manual Free Free and Paid eBooks
  - Bobcat 873 Service Manual Free Public Domain eBooks
  - Bobcat 873 Service Manual Free eBook Subscription Services
  - Bobcat 873 Service Manual Free Budget-Friendly Options
- 6. Navigating Bobcat 873 Service Manual Free eBook Formats
  - ePub, PDF, MOBI, and More
  - Bobcat 873 Service Manual Free Compatibility with Devices
  - Bobcat 873 Service Manual Free Enhanced eBook Features
- 7. Enhancing Your Reading Experience
  - Adjustable Fonts and Text Sizes of Bobcat 873 Service Manual Free
  - Highlighting and Note-Taking Bobcat 873 Service Manual Free
  - Interactive Elements Bobcat 873 Service Manual Free
- 8. Staying Engaged with Bobcat 873 Service Manual Free
  - Joining Online Reading Communities
  - Participating in Virtual Book Clubs
  - Following Authors and Publishers Bobcat 873 Service Manual Free
- 9. Balancing eBooks and Physical Books Bobcat 873 Service Manual Free
  - Benefits of a Digital Library
  - Creating a Diverse Reading Collection Bobcat 873 Service Manual Free
- 10. Overcoming Reading Challenges
  - Dealing with Digital Eye Strain
  - Minimizing Distractions
  - Managing Screen Time
- 11. Cultivating a Reading Routine Bobcat 873 Service Manual Free

- Setting Reading Goals Bobcat 873 Service Manual Free
- Carving Out Dedicated Reading Time
- 12. Sourcing Reliable Information of Bobcat 873 Service Manual Free
  - Fact-Checking eBook Content of Bobcat 873 Service Manual Free
  - Distinguishing Credible Sources
- 13. Promoting Lifelong Learning
  - Utilizing eBooks for Skill Development
  - Exploring Educational eBooks
- 14. Embracing eBook Trends
  - Integration of Multimedia Elements
  - Interactive and Gamified eBooks

### **Bobcat 873 Service Manual Free Introduction**

Bobcat 873 Service Manual Free Offers over 60,000 free eBooks, including many classics that are in the public domain. Open Library: Provides access to over 1 million free eBooks, including classic literature and contemporary works. Bobcat 873 Service Manual Free Offers a vast collection of books, some of which are available for free as PDF downloads, particularly older books in the public domain. Bobcat 873 Service Manual Free : This website hosts a vast collection of scientific articles, books, and textbooks. While it operates in a legal gray area due to copyright issues, its a popular resource for finding various publications. Internet Archive for Bobcat 873 Service Manual Free : Has an extensive collection of digital content, including books, articles, videos, and more. It has a massive library of free downloadable books. Free-eBooks Bobcat 873 Service Manual Free Offers a diverse range of free eBooks across various genres. Bobcat 873 Service Manual Free Focuses mainly on educational books, textbooks, and business books. It offers free PDF downloads for educational purposes. Bobcat 873 Service Manual Free Provides a large selection of free eBooks in different genres, which are available for download in various formats, including PDF. Finding specific Bobcat 873 Service Manual Free, especially related to Bobcat 873 Service Manual Free, might be challenging as theyre often artistic creations rather than practical blueprints. However, you can explore the following steps to search for or create your own Online Searches: Look for websites, forums, or blogs dedicated to Bobcat 873 Service Manual Free, Sometimes enthusiasts share their designs or concepts in PDF format. Books and Magazines Some Bobcat 873 Service Manual Free books or magazines might include. Look for these in online stores or libraries. Remember that while Bobcat 873 Service Manual Free, sharing copyrighted material without permission is not legal. Always ensure youre either creating your own or obtaining them from legitimate sources that allow sharing and

downloading. Library Check if your local library offers eBook lending services. Many libraries have digital catalogs where you can borrow Bobcat 873 Service Manual Free eBooks for free, including popular titles. Online Retailers: Websites like Amazon, Google Books, or Apple Books often sell eBooks. Sometimes, authors or publishers offer promotions or free periods for certain books. Authors Website Occasionally, authors provide excerpts or short stories for free on their websites. While this might not be the Bobcat 873 Service Manual Free full book, it can give you a taste of the authors writing style. Subscription Services Platforms like Kindle Unlimited or Scribd offer subscription-based access to a wide range of Bobcat 873 Service Manual Free eBooks, including some popular titles.

### FAQs About Bobcat 873 Service Manual Free Books

1. Where can I buy Bobcat 873 Service Manual Free books? Bookstores: Physical bookstores like Barnes & Noble, Waterstones, and independent local stores. Online Retailers: Amazon, Book Depository, and various online bookstores offer a wide range of books in physical and digital formats.
2. What are the different book formats available? Hardcover: Sturdy and durable, usually more expensive. Paperback: Cheaper, lighter, and more portable than hardcovers. E-books: Digital books available for e-readers like Kindle or software like Apple Books, Kindle, and Google Play Books.
3. How do I choose a Bobcat 873 Service Manual Free book to read? Genres: Consider the genre you enjoy (fiction, non-fiction, mystery, sci-fi, etc.). Recommendations: Ask friends, join book clubs, or explore online reviews and recommendations. Author: If you like a particular author, you might enjoy more of their work.
4. How do I take care of Bobcat 873 Service Manual Free books? Storage: Keep them away from direct sunlight and in a dry environment. Handling: Avoid folding pages, use bookmarks, and handle them with clean hands. Cleaning: Gently dust the covers and pages occasionally.
5. Can I borrow books without buying them? Public Libraries: Local libraries offer a wide range of books for borrowing. Book Swaps: Community book exchanges or online platforms where people exchange books.
6. How can I track my reading progress or manage my book collection? Book Tracking Apps: Goodreads, LibraryThing, and Book Catalogue are popular apps for tracking your reading progress and managing book collections. Spreadsheets: You can create your own spreadsheet to track books read, ratings, and other details.
7. What are Bobcat 873 Service Manual Free audiobooks, and where can I find them? Audiobooks: Audio recordings of books, perfect for listening while commuting or multitasking. Platforms: Audible, LibriVox, and Google Play Books offer

- a wide selection of audiobooks.
8. How do I support authors or the book industry? Buy Books: Purchase books from authors or independent bookstores. Reviews: Leave reviews on platforms like Goodreads or Amazon. Promotion: Share your favorite books on social media or recommend them to friends.
  9. Are there book clubs or reading communities I can join? Local Clubs: Check for local book clubs in libraries or community centers. Online Communities: Platforms like Goodreads have virtual book clubs and discussion groups.
  10. Can I read Bobcat 873 Service Manual Free books for free? Public Domain Books: Many classic books are available for free as they're in the public domain. Free E-books: Some websites offer free e-books legally, like Project Gutenberg or Open Library.

**Find Bobcat 873 Service Manual Free :**

[late rent notice letter](#)

[learn chinese mandarin pdf](#)

[letter to a bank sample](#)

**leadership courses army**

**last day of daycare poem**

[lean six sigma pharmaceutical industry](#)

**letter to ask for financial assistance**

**last minute apush review**

[led zeppelin bass](#)

[leadership training scenarios](#)

[learn hawkes learning](#)

[letting go pathway to surrender](#)

[level f reading passages pdf](#)

[learn throwing knives](#)

**learning kamba language**

**Bobcat 873 Service Manual Free :**