

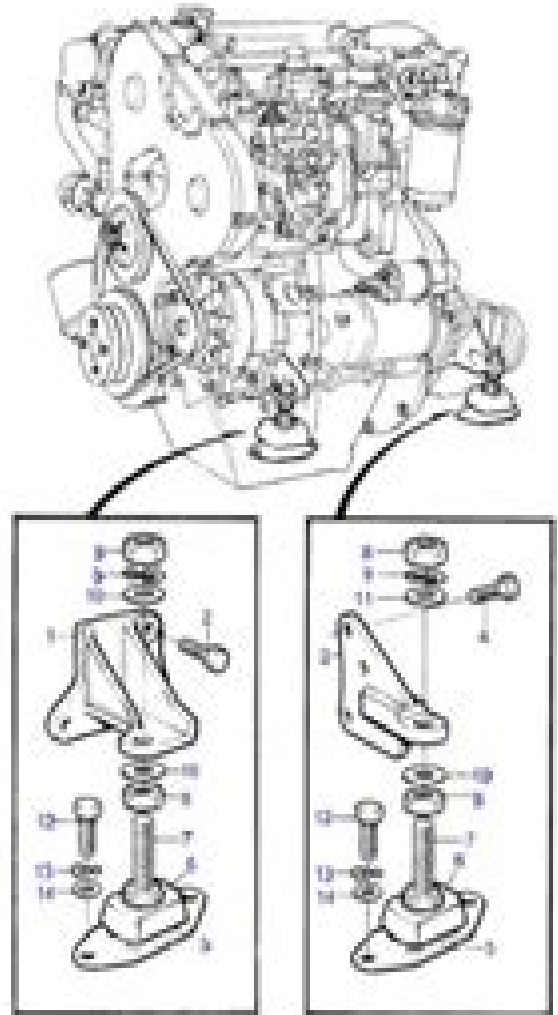
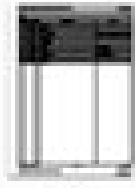
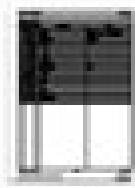


218

Engine Mounting for Reverse Gear MG 506

MD22L

Page Thumbnails



Volvo Penta Md221 Manual

Joan Coles, Clarence W. Coles



Volvo Penta Md22l Manual

VOLVO PENTA MD 11C, C, MD 17C, D Volvo Penta,2014-03-01 **Operating Manual for Volvo Penta Marine Diesel Engines MD 47, MD 67, MD 96, TMD 96** Volvo Penta (Firm). Technical Information Department,1962 **VOLVO PENTA MD 5** Volvo Penta,2015-04-13 **Volvo Penta MD2010, MD2020, MD2030, MD2040** N N,2012-05 Workshop Manual for Volvo Penta Marine Engines MD2010 MD2020 MD2030 MD2040 **VOLVO PENTA MD2010, MD2020, MD2030, MD2040** Volvo Penta,2014-03-02 Volvo Penta Service & Overhaul Manual Alan T. Burgess,1976 **Volvo Penta** (Seloc) Seloc,2008 This manual covers the topics that a factory service manual designed for factory trained mechanics and a manufacturer owner s manual designed more by lawyers than boat owners these days covers It will take you through the basics of maintaining and repairing your motor step by step to help you understand what the factory trained mechanics already know by heart Page 1 2 VOLVO Penta Workshop Manual ,1986 Volvo Penta Service and Overhaul Manual A. T. Burgess,1994 *VOLVO Penta Workshop Manual* ,1984 **Volvo Penta Stern Drive Shop Manual 2001-2004** Penton Staff,2000-05-24 30GS 3 0L in line 4 cylinder 135 HP 43GL 4 3L V 6 160 HP 43GI 4 3L V 6 180 HP 43GXI 4 3L V 6 210 HP 50GL 5 0L V 8 220 HP 50GI 5 0L V 8 250 HP 50GXI 5 0L V 8 270 HP 57GS 5 7L V 8 225 HP 57GS 5 7L V 8 250 HP 57GSI 5 7L V 8 280 H **VOLVO PENTA MD5A MARINE DIESEL ENGINE** Albin,2014-03-01 **Marine Diesel Basics 1** Dennison Berwick,2017-05-11 Seeing is Understanding The first VISUAL guide to marine diesel systems on recreational boats Step by step instructions in clear simple drawings explain how to maintain winterize and recommission all parts of the system fuel deck fill engine batteries transmission stern gland propeller Book one of a new series Canadian author is a sailor and marine mechanic cruising aboard his 36 foot steel hulled Chevrier sloop Illustrations 300 drawings Pages 222 pages Published 2017 Format softcover Category Inboards Gas Diesel Workshop Manual ,1985 Pub no 77300424 **Seloc's Volvo Penta Stern Drive** Joan Coles,Clarence W. Coles,1998-03 SELOC Marine maintenance and repair manuals offer the most comprehensive authoritative information available for outboard inboard stern drive and diesel engines as well as personal watercraft SELOC has been the leading source of how to information for the marine industry since 1974 Designed and written to serve the needs of the professional mechanic do it yourself boat enthusiast instructor and student these manuals are based on actual teardowns done by Chilton Marine s editors authors in our on site facility Providing complete coverage on everything from basic maintenance to engine overhaul every manual features Simple to follow step by step illustrated procedures Hundreds of exploded drawings photographs and tables Troubleshooting sections accurate specifications and wiring diagrams Recognized and used by technical trade schools as well as the U S military Covers all Single SP and Duo Prop DP models powered by Ford GM or Volvo 4 cylinder V6 and V8 engines Over 1 375 illustrations **Workshop Manual** Volvo Penta (Firm),1970 Workshop Manual ,1984 **Workshop Manual** Volvo Penta

(Firm),1970 *Volvo-Penta Stern Drives, 1992-93* Joan Coles,Clarence W. Coles,1998-03 SELOC Marine maintenance and repair manuals offer the most comprehensive authoritative information available for outboard inboard stern drive and diesel engines as well as personal watercraft SELOC has been the leading source of how to information for the marine industry since 1974 Designed and written to serve the needs of the professional mechanic do it yourself boat enthusiast instructor and student these manuals are based on actual teardowns done by Chilton Marine s editors authors in our on site facility Providing complete coverage on everything from basic maintenance to engine overhaul every manual features Simple to follow step by step illustrated procedures Hundreds of exploded drawings photographs and tables Troubleshooting sections accurate specifications and wiring diagrams Recognized and used by technical trade schools as well as the U S military Covers all Single SP and Duo Prop DP models powered by Volvo 4 cylinder engines Over 750 illustrations **Volvo Penta MD 11C, C, MD 17C, D** N N,2012-05 Reprint of the official Instruction Book about VOLVO PENTA Marine Engines Type MD 11C C MD 17C and D

Alternative Shakespeare Auditions for Women Each speech is accompanied by a character description, brief explanation of the context, and notes on obscure words, phrases and references--all written from ... Alternative Shakespeare Auditions for Women - 1st Edition Each speech is accompanied by a character description, brief explanation of the context, and notes on obscure words, phrases and references--all written from ... More Alternative Shakespeare Auditions for Women ... Like its counterpart, "Alternative Shakespeare Auditions for Women", this book is an excellent resource for the actress. It provides unconventional monologues ... Alternative Shakespeare Auditions for Women This book brings together fifty speeches for women from plays frequently ignored such as Coriolanus, Pericles and Love's Labours Lost. It also includes good, ... Alternative Shakespeare Auditions for Women Each speech is accompanied by a character description, brief explanation of the context, and notes on obscure words, phrases and references—all written from the ... Alternative Shakespeare Auditions for Women | Simon Dunmore by S Dunmore · 2013 · Cited by 6 — Like the companion volume for men, Alternative Shakespeare Auditions for Women brings together fifty speeches from plays frequently ignored ... Alternative Shakespeare Auditions for Women (Theatre ... Following on his successful Alternative ShakespeareAuditions for Women, Simon Dunmore presents even more underappreciated speeches that will make a classical ... Alternative Shakespeare Auditions For Women | PDF Alternative Shakespeare Auditions for Women - View presentation slides online. Alternative Shakespeare auditions for women / Simon ... A new collection of fascinating, fresh and unusual audition speeches from Shakespeare. The book brings together fifty speeches for women from plays frequently ... Alternative Shakespeare Auditions for Women Oct 31, 1997 — Auditioners often complain of seeing the same speeches over and over again. This book brings together 50 speeches for women from Shakespeare ... PEUGEOT 308 HANDBOOK In this document you will find all of the instructions and

recommendations on use that will allow you to enjoy your vehicle to the fullest. It is strongly. Peugeot 308 Car Handbook | Vehicle Information This handbook has been designed to enable you to make the most of your vehicle in all situations. Please note the following point: The fitting of electrical ... Peugeot 308 & 308SW Vehicle Handbook this handbook has been designed to enable you to make the most of your vehicle in all situations. Page 4 . . Contents. Overview. User manual Peugeot 308 (2022) (English - 260 pages) Manual. View the manual for the Peugeot 308 (2022) here, for free. This manual comes under the category cars and has been rated by 7 people with an average ... User manual Peugeot 308 (2020) (English - 324 pages) Manual. View the manual for the Peugeot 308 (2020) here, for free. This manual comes under the category cars and has been rated by 3 people with an average ... Peugeot Driver Manual 308 | PDF Peugeot Driver Manual 308 - Free ebook download as PDF File (.pdf), Text File (.txt) or read book online for free. Peugeot for Driver Manual 308. Peugeot 308 (2018) user manual (English - 324 pages) User manual. View the manual for the Peugeot 308 (2018) here, for free. This manual comes under the category cars and has been rated by 34 people with an ... Peugeot 308 (2021) user manual (English - 244 pages) User manual. View the manual for the Peugeot 308 (2021) here, for free. This manual comes under the category cars and has been rated by 8 people with an ... PEUGEOT 308 HANDBOOK Pdf Download View and Download PEUGEOT 308 handbook online. 308 automobile pdf manual download. Peugeot 308 owner's manual Below you can find links to download for free the owner's manual of your Peugeot 308. Manuals from 2008 to 2008. ... Looking for another year or model? Let us ... Investigating Biology Lab Manual with Biology - 8th Edition Our resource for Investigating Biology Lab Manual with Biology includes answers to chapter exercises, as well as detailed information to walk you through the ... Biological Investigations Lab Manual 8th Edition Unlike static PDF Biological Investigations Lab Manual 8th Edition solution manuals or printed answer keys, our experts show you how to solve each problem step- ... Investigating Biology Laboratory Manual 8th Edition ... Unlike static PDF Investigating Biology Laboratory Manual 8th Edition solution manuals or printed answer keys, our experts show you how to solve each problem ... Investigating Biology Lab Manual with ... Amazon.com: Investigating Biology Lab Manual with Biology with MasteringBiology (8th Edition): 9780321557315: Campbell, Neil A., Reece, Jane B.: Books. Investigating Biology Laboratory Manual (8th Edition) With its distinctive investigative approach to learning, this best-selling laboratory manual is now more engaging than ever, with full-color art and photos ... Preparation Guide for Investigating Biology Lab Manual, ... This guide includes the support and expertise necessary to launch a successful investigative laboratory program. The new edition includes suggestions and ... Results for "investigating biology lab manual global edition" Explore Solutions for Your Discipline Explore Solutions for Your Discipline ... Editions. Show more +. More subjects options will be revealed above. Search ... Investigating Biology Laboratory Manual (8th Edition) With its distinctive investigative approach to learning, this best-selling laboratory manual is now more engaging than ever, with full-color art and photos ... Biology+laboratory+manual.pdf ... answer the frequent ques~ tion "What will the tests be like?" • Worksheets ...

investigating the effects of a nutrient on plant growth, then your ...

Uncover the mysteries within Crafted by is enigmatic creation, Discover the Intrigue in **Volvo Penta Md22l Manual** . This downloadable ebook, shrouded in suspense, is available in a PDF format (Download in PDF: *). Dive into a world of uncertainty and anticipation. Download now to unravel the secrets hidden within the pages.

https://offsite.creighton.edu/files/virtual-library/Documents/leed_exam_questions.pdf

https://offsite.creighton.edu/files/virtual-library/Documents/lessons_from_mothers_in_the_bible.pdf

https://offsite.creighton.edu/files/virtual-library/Documents/learning_surgical_instruments.pdf

Table of Contents Volvo Penta Md22l Manual

1. Understanding the eBook Volvo Penta Md22l Manual
 - The Rise of Digital Reading Volvo Penta Md22l Manual
 - Advantages of eBooks Over Traditional Books
2. Identifying Volvo Penta Md22l Manual
 - Exploring Different Genres
 - Considering Fiction vs. Non-Fiction
 - Determining Your Reading Goals
3. Choosing the Right eBook Platform
 - Popular eBook Platforms
 - Features to Look for in an Volvo Penta Md22l Manual
 - User-Friendly Interface
4. Exploring eBook Recommendations from Volvo Penta Md22l Manual
 - Personalized Recommendations
 - Volvo Penta Md22l Manual User Reviews and Ratings

- Volvo Penta Md22l Manual and Bestseller Lists
- 5. Accessing Volvo Penta Md22l Manual Free and Paid eBooks
 - Volvo Penta Md22l Manual Public Domain eBooks
 - Volvo Penta Md22l Manual eBook Subscription Services
 - Volvo Penta Md22l Manual Budget-Friendly Options
- 6. Navigating Volvo Penta Md22l Manual eBook Formats
 - ePub, PDF, MOBI, and More
 - Volvo Penta Md22l Manual Compatibility with Devices
 - Volvo Penta Md22l Manual Enhanced eBook Features
- 7. Enhancing Your Reading Experience
 - Adjustable Fonts and Text Sizes of Volvo Penta Md22l Manual
 - Highlighting and Note-Taking Volvo Penta Md22l Manual
 - Interactive Elements Volvo Penta Md22l Manual
- 8. Staying Engaged with Volvo Penta Md22l Manual
 - Joining Online Reading Communities
 - Participating in Virtual Book Clubs
 - Following Authors and Publishers Volvo Penta Md22l Manual
- 9. Balancing eBooks and Physical Books Volvo Penta Md22l Manual
 - Benefits of a Digital Library
 - Creating a Diverse Reading Collection Volvo Penta Md22l Manual
- 10. Overcoming Reading Challenges
 - Dealing with Digital Eye Strain
 - Minimizing Distractions
 - Managing Screen Time
- 11. Cultivating a Reading Routine Volvo Penta Md22l Manual
 - Setting Reading Goals Volvo Penta Md22l Manual
 - Carving Out Dedicated Reading Time
- 12. Sourcing Reliable Information of Volvo Penta Md22l Manual
 - Fact-Checking eBook Content of Volvo Penta Md22l Manual
 - Distinguishing Credible Sources

13. Promoting Lifelong Learning
 - Utilizing eBooks for Skill Development
 - Exploring Educational eBooks
14. Embracing eBook Trends
 - Integration of Multimedia Elements
 - Interactive and Gamified eBooks

Volvo Penta Md22l Manual Introduction

Volvo Penta Md22l Manual Offers over 60,000 free eBooks, including many classics that are in the public domain. Open Library: Provides access to over 1 million free eBooks, including classic literature and contemporary works. Volvo Penta Md22l Manual Offers a vast collection of books, some of which are available for free as PDF downloads, particularly older books in the public domain. Volvo Penta Md22l Manual : This website hosts a vast collection of scientific articles, books, and textbooks. While it operates in a legal gray area due to copyright issues, its a popular resource for finding various publications. Internet Archive for Volvo Penta Md22l Manual : Has an extensive collection of digital content, including books, articles, videos, and more. It has a massive library of free downloadable books. Free-eBooks Volvo Penta Md22l Manual Offers a diverse range of free eBooks across various genres. Volvo Penta Md22l Manual Focuses mainly on educational books, textbooks, and business books. It offers free PDF downloads for educational purposes. Volvo Penta Md22l Manual Provides a large selection of free eBooks in different genres, which are available for download in various formats, including PDF. Finding specific Volvo Penta Md22l Manual, especially related to Volvo Penta Md22l Manual, might be challenging as theyre often artistic creations rather than practical blueprints. However, you can explore the following steps to search for or create your own Online Searches: Look for websites, forums, or blogs dedicated to Volvo Penta Md22l Manual, Sometimes enthusiasts share their designs or concepts in PDF format. Books and Magazines Some Volvo Penta Md22l Manual books or magazines might include. Look for these in online stores or libraries. Remember that while Volvo Penta Md22l Manual, sharing copyrighted material without permission is not legal. Always ensure youre either creating your own or obtaining them from legitimate sources that allow sharing and downloading. Library Check if your local library offers eBook lending services. Many libraries have digital catalogs where you can borrow Volvo Penta Md22l Manual eBooks for free, including popular titles. Online Retailers: Websites like Amazon, Google Books, or Apple Books often sell eBooks. Sometimes, authors or publishers offer promotions or free periods for certain books. Authors Website Occasionally, authors provide excerpts or short stories for free on their websites. While this might not be the Volvo Penta Md22l Manual full book , it can give you a taste of the authors writing style. Subscription Services Platforms like Kindle Unlimited or Scribd offer subscription-based access to a

wide range of Volvo Penta Md22l Manual eBooks, including some popular titles.

FAQs About Volvo Penta Md22l Manual Books

How do I know which eBook platform is the best for me? Finding the best eBook platform depends on your reading preferences and device compatibility. Research different platforms, read user reviews, and explore their features before making a choice. Are free eBooks of good quality? Yes, many reputable platforms offer high-quality free eBooks, including classics and public domain works. However, make sure to verify the source to ensure the eBook credibility. Can I read eBooks without an eReader? Absolutely! Most eBook platforms offer webbased readers or mobile apps that allow you to read eBooks on your computer, tablet, or smartphone. How do I avoid digital eye strain while reading eBooks? To prevent digital eye strain, take regular breaks, adjust the font size and background color, and ensure proper lighting while reading eBooks. What the advantage of interactive eBooks? Interactive eBooks incorporate multimedia elements, quizzes, and activities, enhancing the reader engagement and providing a more immersive learning experience. Volvo Penta Md22l Manual is one of the best book in our library for free trial. We provide copy of Volvo Penta Md22l Manual in digital format, so the resources that you find are reliable. There are also many Ebooks of related with Volvo Penta Md22l Manual. Where to download Volvo Penta Md22l Manual online for free? Are you looking for Volvo Penta Md22l Manual PDF? This is definitely going to save you time and cash in something you should think about. If you trying to find then search around for online. Without a doubt there are numerous these available and many of them have the freedom. However without doubt you receive whatever you purchase. An alternate way to get ideas is always to check another Volvo Penta Md22l Manual. This method for see exactly what may be included and adopt these ideas to your book. This site will almost certainly help you save time and effort, money and stress. If you are looking for free books then you really should consider finding to assist you try this. Several of Volvo Penta Md22l Manual are for sale to free while some are payable. If you arent sure if the books you would like to download works with for usage along with your computer, it is possible to download free trials. The free guides make it easy for someone to free access online library for download books to your device. You can get free download on free trial for lots of books categories. Our library is the biggest of these that have literally hundreds of thousands of different products categories represented. You will also see that there are specific sites catered to different product types or categories, brands or niches related with Volvo Penta Md22l Manual. So depending on what exactly you are searching, you will be able to choose e books to suit your own need. Need to access completely for Campbell Biology Seventh Edition book? Access Ebook without any digging. And by having access to our ebook online or by storing it on your computer, you have convenient answers with Volvo Penta Md22l Manual To get started finding Volvo Penta Md22l Manual, you are right to find our website which has a

comprehensive collection of books online. Our library is the biggest of these that have literally hundreds of thousands of different products represented. You will also see that there are specific sites catered to different categories or niches related with Volvo Penta Md22l Manual So depending on what exactly you are searching, you will be able to choose ebook to suit your own need. Thank you for reading Volvo Penta Md22l Manual. Maybe you have knowledge that, people have search numerous times for their favorite readings like this Volvo Penta Md22l Manual, but end up in harmful downloads. Rather than reading a good book with a cup of coffee in the afternoon, instead they juggled with some harmful bugs inside their laptop. Volvo Penta Md22l Manual is available in our book collection an online access to it is set as public so you can download it instantly. Our digital library spans in multiple locations, allowing you to get the most less latency time to download any of our books like this one. Merely said, Volvo Penta Md22l Manual is universally compatible with any devices to read.

Find Volvo Penta Md22l Manual :

[lead exam questions](#)

[lessons from mothers in the bible](#)

[learning surgical instruments](#)

[learn to read bass music](#)

[lego design book](#)

[lego dc books](#)

[largest terrestrial biome](#)

[learn guitar licks](#)

[learn dental terminology](#)

[letter of recommendation for daycare worker](#)

[learn to fiddle](#)

[leading change: why transformation efforts fail](#)

[lesson 8 medical terminology](#)

[lessons in chemistry blue pages](#)

[lesson plans for infants](#)

Volvo Penta Md22l Manual :