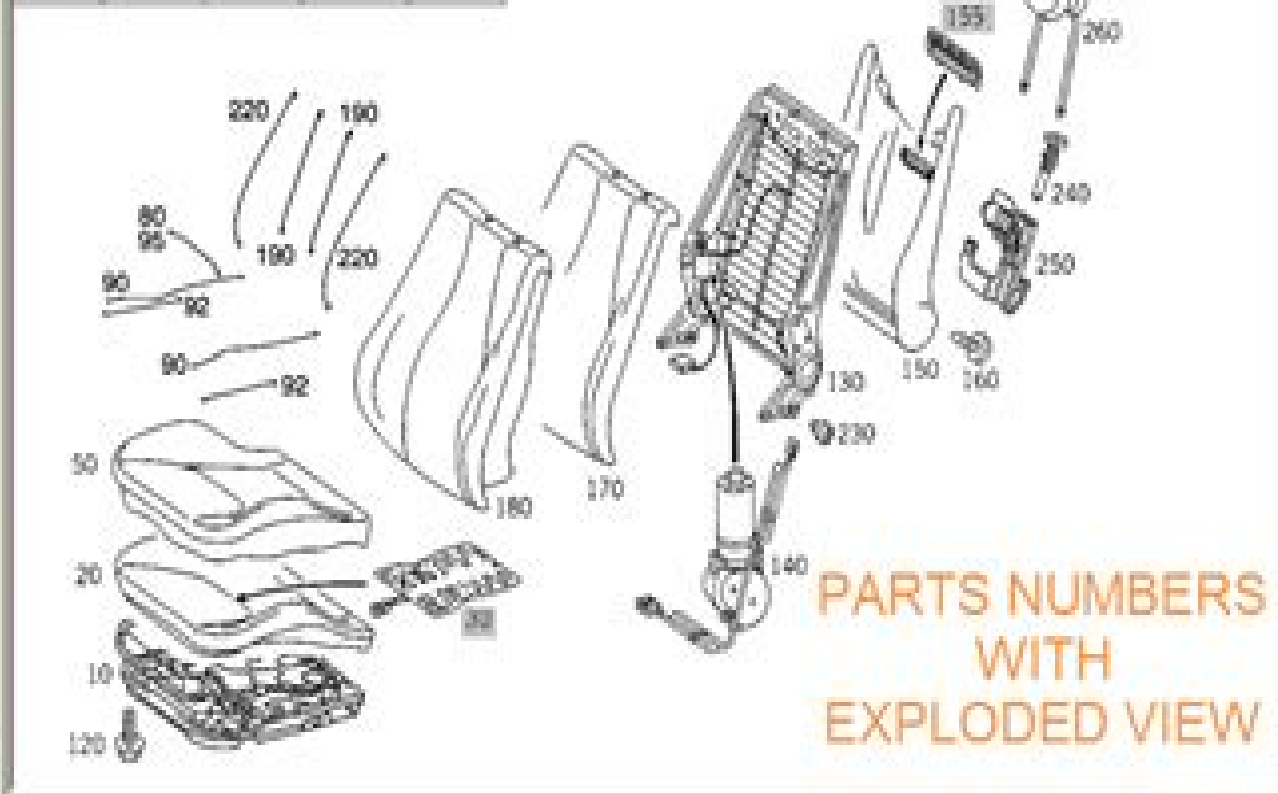




✓	Item	Part number	Designation/Description
<input type="checkbox"/>	10	A 220 910 03 22	<b>CUSHION FRAME LEFT</b> <a href="#">BOM From Chassis</a>
<input type="checkbox"/>	20	A 220 910 22 50	<b>REST LEFT SEAT</b> <a href="#">BOM From Chassis</a> <a href="#">Code: 481</a>
<input type="checkbox"/>	50	A 220 910 35 46 8772	<b>COVER LEATHER TRIM LEFT</b> <a href="#">BOM From Chassis</a> <a href="#">Code: 2706</a>
<input type="checkbox"/>	80	A 460 924 00 29	<b>CLAMP CROSS STAPLE UPHOLSTE LEFT SEAT 205PH</b>
<input type="checkbox"/>	90	A 220 914 05 29	<b>CLAMP LONGITUDINAL STAPLE LI OUT. LEFT/RIGHT, LEFT S</b> <a href="#">BOM From Chassis</a>
<input type="checkbox"/>	92	A 460 924 00 29	<b>CLAMP LONGITUDINAL STAPLE LI CENTER LEFT SEAT 205PH</b>
<input type="checkbox"/>	95	A 203 914 03 29	<b>CLAMP CROSS STAPLE FRONT 20</b>
<input type="checkbox"/>	100	A 006 968 09 78	<b>CLIP STAPLE CUSHION BACK, L</b>
<input type="checkbox"/>	110	A 006 968 12 78	<b>CLIP UPHOLSTERY FO-CUSHION</b>
<input type="checkbox"/>	120	N 924130 006006	<b>SCREW LEFT SEAT CUSHION AT 5.7</b>



# **Mercedes Benz Parts Repair Manual**

**Rachel S Tattersall**



# Mercedes Benz Parts Repair Manual

**2023 test engineer resume example guidance tealhq** - Mar 14 2023

web common responsibilities listed on test engineer resumes conducting test planning and strategy development to ensure comprehensive testing of software applications creating and executing test cases test scripts and test scenarios to identify defects and ensure software quality

*how to write a test engineer resume with example* - Aug 07 2022

web aug 21 2023 a test engineer resume is a professional document that outlines your qualifications for the role the document typically contains details about your academic and professional background that pertain to the role

**mobile test engineer resume examples samples for 2023** - Apr 03 2022

web mobile test engineers test a company s mobile products and complete the following duties creating testware developing and implementing test plans collaborating with the product management team focusing on user experience testing device security and adhering to quality assurance standards

**test engineer resume examples for 2023 resume worded** - Jun 17 2023

web template 1 test engineer template 2 test engineer template 3 system test engineer template 4 quality assurance engineer skills for test engineer resumes free test engineer resume review similar software tester resume templates test engineer interview guide test engineer sample cover letters software tester

**10 test engineer resume examples for 2023 zippia** - Sep 08 2022

web jun 29 2023 choose from 10 customizable test engineer resume templates choose from a variety of easy to use test engineer resume templates and get expert advice from zippia s ai resume writer along the way using pre approved templates you can rest assured that the structure and format of your test engineer resume is top notch

**how to write a test engineer resume with example** - Aug 19 2023

web jun 18 2023 to create a test engineer resume follow these steps 1 create a header to start your resume create a header to contain your contact information include your full name phone number email address and professional website or social media page if

*test engineering manager resume samples velvet jobs* - Mar 02 2022

web guide the recruiter to the conclusion that you are the best candidate for the test engineering manager job it s actually very simple tailor your resume by picking relevant responsibilities from the examples below and then add your

accomplishments this way you can position yourself in the best way to get hired

[5 test engineer resume examples with guidance teal hq](#) - Jan 12 2023

web 5 test engineer resume examples to land you a role in 2023 test engineers excel at identifying flaws and ensuring the highest quality in products and systems much like a test engineer s role your resume should be meticulously crafted to identify and eliminate any imperfections that could hinder your chances of landing the job

**test engineer resume sample tips online resume builder** - Jul 06 2022

web 5 amazing test engineer resume examples updated 2023 skills job descriptions you may have a lot of experience as a test engineer you may have many pertinent assets to offer an employer you have an eye for detail and are good at analyzing patterns automating test procedures and collecting data

[test engineer resume examples and templates resumecat](#) - May 04 2022

web test engineer resume examples writing a great test engineer resume is important because it is one of the first things a potential employer will see when they are considering you for a position it is your opportunity to make a good first impression and sell yourself as the best candidate for the job create your resume

**test engineer resume examples and templates for 2023** - May 16 2023

web oct 26 2023 how to write a test engineer resume create a strong test engineer resume by choosing the right format capturing interest with a well written summary and detailing accomplishments skills like hardware testing and quality control and education that align with the employer s needs

**5 test engineer resume examples guide for 2023 enhancv** - Sep 20 2023

web 16 skills for your test engineer resume programming skills like java python php ruby on rails familiarity with automation frameworks like selenium communication oral and written skills root cause analysis corrective actions manual

**6 great test engineer resume examples livecareer** - Jul 18 2023

web test engineer resume examples land your desired job with help from our test engineer resume examples we ve got high quality samples plus tips for organizing and writing each resume section customize resume candidate experience level 14 years customize resume candidate experience level 3 year customize resume candidate experience

**testing engineer resume examples samples for 2023 jobhero** - Feb 13 2023

web testing engineer resume examples testing engineers play a vital role in production processes as they need to evaluate products and find out if they are fit for use

**test engineer resume samples velvet jobs** - Oct 09 2022

web test engineer resume examples samples 1 years of experience in one of the following soapui loadrunner ibm clearcase ibm rational testing tools suite or junit 1 years of experience with the documentation development and support for java html

sql pl sql and oracle platform applications

**how to write a test engineer resume example and template** - Oct 21 2023

web jul 5 2023 how to write a test engineer resume 1 include personal contact information a good way to begin your resume is to include your personal contact information 2 write a professional summary or objective the next section of an effective test engineer resume is often a 3 discuss relevant skills

test engineer resume examples samples for 2023 jobhero - Apr 15 2023

web test engineer resume examples test engineers design tests aimed at checking products or performing quality assurance tasks a successful resume sample for this position emphasize duties like collecting data analyzing patterns choosing appropriate tests automating test processes and reducing variables

**senior test engineer resume examples samples for 2023** - Jun 05 2022

web senior test engineer resume examples senior test engineers are responsible for testing a company s products and determining if they meet quality and safety standards their duties include developing test procedures maintaining equipment training junior engineers and technicians preparing documentation and making suggestion

testing engineer resume sample tips online resume builder - Dec 11 2022

web check out our hr proof testing engineer resume examples samples hr approved testing engineer resume templates stand out from the crowd and land your dream job

testing engineer resume sample mintresume - Nov 10 2022

web testing engineer resume sample 4 5 19 votes the resume builder create a resume in minutes with professional resume templates create a resume in minutes flavio rice 1421 wallace trace chicago il 1 555 922 2147 work experience senior testing engineer 05 2017 present houston tx

government study guide qua final exam copy - Nov 06 2022

web mar 1 2023 government study guide qua final exam as recognized adventure as with ease as experience virtually lesson amusement as without difficulty as promise can be gotten by just checking out a books government study guide qua final exam afterward it is not directly done you could recognize even more roughly this life roughly speaking

**government final exam study guide google docs** - Aug 15 2023

web determine how governments differ in geographic distribution of power particularly unitary confederal and federal types of government unitary central govt has all power can create lower levels of govt ex great britain federal

**e pdf government study guide qua final exam epub free** - Dec 27 2021

web aug 16 2023 government study guide qua final exam is available in our digital library an online access to it is set as public so you can get it instantly our books collection spans in multiple locations allowing you to get the most less latency

time to download any of our books like this one

government study guide qua final exam vyboryformator - Mar 30 2022

web mar 7 2023 exam this manual presents a full length diagnostic test with answer keys answer analyses and self appraisal charts the diagnostic test is followed by reviews of all ged test subjects which emphasize proficiency in high school level math reading comprehension and writing skill as well as knowledge of social studies arts and

**government study guide qua final exam pdf uniport edu** - Dec 07 2022

web mar 14 2023 government study guide qua final exam 1 5 downloaded from uniport edu ng on march 14 2023 by guest government study guide qua final exam this is likewise one of the factors by obtaining the soft documents of this government study guide qua final exam by online

**us government final exam study guide 2020 flashcards quizlet** - Jul 02 2022

web study with quizlet and memorize flashcards containing terms like amendment anti federalists apportionment reapportionment and more fresh features from the 1 ai enhanced learning platform explore the lineup

government study guide qua final exam pdf pdf - Sep 04 2022

web jul 4 2023 government study guide qua final exam pdf getting the books government study guide qua final exam pdf now is not type of inspiring means you could not without help going bearing in mind ebook heap or library or borrowing from your links to gain access to them this is an no question simple means to specifically acquire

**government study guide qua final exam pdf uniport edu** - Oct 05 2022

web jun 9 2023 government study guide qua final exam 1 13 downloaded from uniport edu ng on june 9 2023 by guest government study guide qua final exam this is likewise one of the factors by obtaining the soft documents of this government study guide qua final exam by online you might not require more

meslek memurluğu giriş sınavı geçmiş yıllara ait yazılı sınav - Jan 28 2022

web türkiye cumhuriyeti dışişleri bakanlığı bakanlık personel meslek memurluğu giriş sınavı geçmiş yıllara ait yazılı sınav soruları meslek memurluğu giriş sınavı geçmiş yıllara ait yazılı sınav soruları meslek memurluğu giriş sınavı geçmiş yıllara ait yazılı sınav soruları 2020

**government study guide qua final exam pdf download only** - Feb 09 2023

web jun 19 2023 government study guide qua final exam pdf if you ally obsession such a referred government study guide qua final exam pdf ebook that will come up with the money for you worth get the no question best seller from us currently from several preferred authors if you want to hilarious books lots of novels tale jokes and more fictions

**government study guide qua final exam pdf** - Apr 11 2023

web essentials sie exam is a new test administered by finra beginning in october 2018 this exam is required as a prerequisite

to each series level knowledge exam such as series 7 if you re prepping for the exam you need a trusted resource to ensure your very best performance securities industry essentials exam for dummies with online practice

**read online government study guide qua final exam free** - Jan 08 2023

web apr 10 2023 government study guide qua final exam can be one of the options to accompany you in imitation of having additional time it will not waste your time endure me the e book will definitely circulate you extra thing

**government final exam study guide government final exam study guide** - Jul 14 2023

web government final exam study guide government types rule of law the restriction of the arbitrary exercise of power by subordinating it to well defined and established laws restricting the use of power by an upper being discontinued and not used democracy a government that is ruled by an elected or chosen individual s who direct and rule

**government study guide qua final exam pdf 2023** - Jun 01 2022

web jun 13 2023 government study guide qua final exam pdf is available in our digital library an online access to it is set as public so you can download it instantly our books collection spans in multiple countries allowing you to get the most less latency time to download any of our books like this one kindly say the government study guide qua

read online government study guide qua final exam free - May 12 2023

web apr 11 2023 government study guide qua final exam now is not type of inspiring means you could not deserted going afterward book increase or library or borrowing from your friends to entry them this is an certainly simple means to specifically get guide by on line this online publication government study guide qua final exam can be one of

*government study guide qua final exam pdf download sbrick* - Apr 30 2022

web government study guide qua final exam pdf 2 4 downloaded from download sbrick com on january 21 2023 by guest weblatest information background knowledge videos and services find out more about the political work and goals of the federal government of germany government definition meaning merriam webster web1 the body of

government study guide qua final exam uniport edu - Feb 26 2022

web apr 29 2023 declaration government study guide qua final exam can be one of the options to accompany you behind having further time it will not waste your time take on me the e book will definitely tone you further concern to read just invest tiny times to admission this on line message government study guide qua final exam as

**american government final exam study guide flashcards** - Jun 13 2023

web study with quizlet and memorize flashcards containing terms like government federalism congress and more fresh features from the 1 ai enhanced learning platform explore the lineup

*u s government final study guide flashcards quizlet* - Mar 10 2023

web limits the powers of the federal government to those delegated to it by the constitution how a bill becomes a law 1 idea

for a bill 2 writing an introduction to the bill 3 receives committee action 4 floor action 5 conference committee 6 both chambers vote on final version of the bill 7 president considers bill

**us government final exam study guide flashcards quizlet** - Aug 03 2022

web us government final exam study guide 5 0 2 reviews get a hint anti federalists click the card to flip those who favored strong state governments and a weak national government opposed the ratification of the u s constitution dh click the card to flip

*nemesis english meaning cambridge dictionary* - Aug 24 2023

web literary uk 'nem ə sɪs us 'nem ə sɪs plural nemeses uk 'nem ə siːz us 'nem ə siːz add to word list someone s nemesis is a person or thing that is very difficult for them to defeat a cause of punishment or defeat that is deserved and cannot be avoided the tax increases proved to be the president s political nemesis

**nemesis definition meaning dictionary com** - Mar 19 2023

web nemesis nem uh sis show ipa see synonyms for nemesis on thesaurus com noun plural nem e ses nem uh seez something that a person cannot conquer achieve

**nemesis ne demek nemesis kelimesinin türkçe anlamı nedir** - Apr 20 2023

web feb 8 2021 nemesis kelimesinin türkçe anlamı arasında güçlü rakip ve hak edilen ceza veren vesile ifadeleri yer alıyor Öte yandan dünya üzerinde adaleti sağlayan ve koruyan haklı ve haksızın

*nemesis definition meaning merriam webster* - Sep 25 2023

web the meaning of nemesis is the greek goddess of retributive justice how to use nemesis in a sentence nemesis and greek mythology

**nemesis definition and meaning collins english dictionary** - Jun 22 2023

web oct 23 2023 the nemesis of a person or thing is a situation event or person which causes them to be seriously harmed especially as a punishment harry potter s evil nemesis voldemort yet the imminent crisis in its balance of payments may be the president s nemesis collins cobuild advanced learner s dictionary

**nemesis goddess retribution vengeance britannica** - Jan 17 2023

web sep 28 2023 nemesis in greek religion two divine conceptions the first an attic goddess the daughter of nyx night and the second an abstraction of indignant disapproval later personified nemesis the goddess perhaps of fertility was worshipped at rhamnus in attica and was very similar to artemis a

[nemesis mitoloji vikipedi](#) - Jul 23 2023

web nemesis okeanos veya zeus un kızı hesiod a göre erebos ve nyks in kızıdır nemesis aynı zamanda nyks in tek başına doğurduğu bir kızı olarak gösterilir nemesis inancı smyrna dan kaynaklanmış olabilir kimi metafiziksel mitolojilere göre



nemesis in yumurtladığı bir yumurtadan iki çift ikiz doğmuştur

**nemesis definition meaning synonyms vocabulary com** - Dec 16 2022

web the word nemesis describes a rival who just somehow seems able to get the best of you it can be someone you compete against someone whose skills are nearly identical to

**nemesis definition in the cambridge english dictionary** - Feb 18 2023

web nemesis meaning 1 someone s nemesis is a person or thing that is very difficult for them to defeat 2 a cause learn more *nemesis wikipedia* - May 21 2023

web in some traditions nemesis is the mother of helen of troy rather than the mortal queen leda this narrative is first found in the lost epic cypria the prelude of the iliad according to its author stasinus of cyprus helen was born from the rape of nemesis by zeus

Thank you for downloading **Mercedes Benz Parts Repair Manual**. Maybe you have knowledge that, people have look numerous times for their chosen readings like this Mercedes Benz Parts Repair Manual, but end up in infectious downloads. Rather than reading a good book with a cup of coffee in the afternoon, instead they juggled with some malicious bugs inside their computer.

Mercedes Benz Parts Repair Manual is available in our book collection an online access to it is set as public so you can download it instantly.

Our book servers hosts in multiple locations, allowing you to get the most less latency time to download any of our books like this one.

Merely said, the Mercedes Benz Parts Repair Manual is universally compatible with any devices to read

[https://offsite.creighton.edu/files/virtual-library/Documents/map\\_test\\_scores\\_2022.pdf](https://offsite.creighton.edu/files/virtual-library/Documents/map_test_scores_2022.pdf)

[https://offsite.creighton.edu/files/virtual-library/Documents/managerial\\_economics\\_online\\_course.pdf](https://offsite.creighton.edu/files/virtual-library/Documents/managerial_economics_online_course.pdf)

[https://offsite.creighton.edu/files/virtual-library/Documents/map\\_and\\_compass\\_navigation\\_courses\\_online.pdf](https://offsite.creighton.edu/files/virtual-library/Documents/map_and_compass_navigation_courses_online.pdf)

## **Table of Contents Mercedes Benz Parts Repair Manual**

1. Understanding the eBook Mercedes Benz Parts Repair Manual
  - The Rise of Digital Reading Mercedes Benz Parts Repair Manual
  - Advantages of eBooks Over Traditional Books
2. Identifying Mercedes Benz Parts Repair Manual
  - Exploring Different Genres
  - Considering Fiction vs. Non-Fiction
  - Determining Your Reading Goals

3. Choosing the Right eBook Platform
  - Popular eBook Platforms
  - Features to Look for in an Mercedes Benz Parts Repair Manual
  - User-Friendly Interface
4. Exploring eBook Recommendations from Mercedes Benz Parts Repair Manual
  - Personalized Recommendations
  - Mercedes Benz Parts Repair Manual User Reviews and Ratings
  - Mercedes Benz Parts Repair Manual and Bestseller Lists
5. Accessing Mercedes Benz Parts Repair Manual Free and Paid eBooks
  - Mercedes Benz Parts Repair Manual Public Domain eBooks
  - Mercedes Benz Parts Repair Manual eBook Subscription Services
  - Mercedes Benz Parts Repair Manual Budget-Friendly Options
6. Navigating Mercedes Benz Parts Repair Manual eBook Formats
  - ePub, PDF, MOBI, and More
  - Mercedes Benz Parts Repair Manual Compatibility with Devices
  - Mercedes Benz Parts Repair Manual Enhanced eBook Features
7. Enhancing Your Reading Experience
  - Adjustable Fonts and Text Sizes of Mercedes Benz Parts Repair Manual
  - Highlighting and Note-Taking Mercedes Benz Parts Repair Manual
  - Interactive Elements Mercedes Benz Parts Repair Manual
8. Staying Engaged with Mercedes Benz Parts Repair Manual
  - Joining Online Reading Communities
  - Participating in Virtual Book Clubs
  - Following Authors and Publishers Mercedes Benz Parts Repair Manual
9. Balancing eBooks and Physical Books Mercedes Benz Parts Repair Manual
  - Benefits of a Digital Library
  - Creating a Diverse Reading Collection Mercedes Benz Parts Repair Manual
10. Overcoming Reading Challenges
  - Dealing with Digital Eye Strain
  - Minimizing Distractions

- Managing Screen Time
- 11. Cultivating a Reading Routine Mercedes Benz Parts Repair Manual
  - Setting Reading Goals Mercedes Benz Parts Repair Manual
  - Carving Out Dedicated Reading Time
- 12. Sourcing Reliable Information of Mercedes Benz Parts Repair Manual
  - Fact-Checking eBook Content of Mercedes Benz Parts Repair Manual
  - Distinguishing Credible Sources
- 13. Promoting Lifelong Learning
  - Utilizing eBooks for Skill Development
  - Exploring Educational eBooks
- 14. Embracing eBook Trends
  - Integration of Multimedia Elements
  - Interactive and Gamified eBooks

### **Mercedes Benz Parts Repair Manual Introduction**

Free PDF Books and Manuals for Download: Unlocking Knowledge at Your Fingertips In today's fast-paced digital age, obtaining valuable knowledge has become easier than ever. Thanks to the internet, a vast array of books and manuals are now available for free download in PDF format. Whether you are a student, professional, or simply an avid reader, this treasure trove of downloadable resources offers a wealth of information, conveniently accessible anytime, anywhere. The advent of online libraries and platforms dedicated to sharing knowledge has revolutionized the way we consume information. No longer confined to physical libraries or bookstores, readers can now access an extensive collection of digital books and manuals with just a few clicks. These resources, available in PDF, Microsoft Word, and PowerPoint formats, cater to a wide range of interests, including literature, technology, science, history, and much more. One notable platform where you can explore and download free Mercedes Benz Parts Repair Manual PDF books and manuals is the internet's largest free library. Hosted online, this catalog compiles a vast assortment of documents, making it a veritable goldmine of knowledge. With its easy-to-use website interface and customizable PDF generator, this platform offers a user-friendly experience, allowing individuals to effortlessly navigate and access the information they seek. The availability of free PDF books and manuals on this platform demonstrates its commitment to democratizing education and empowering individuals with the tools needed to succeed in their chosen fields. It allows anyone, regardless of their background or financial limitations, to expand their horizons and gain insights from experts in various disciplines. One of the most significant advantages of downloading PDF

books and manuals lies in their portability. Unlike physical copies, digital books can be stored and carried on a single device, such as a tablet or smartphone, saving valuable space and weight. This convenience makes it possible for readers to have their entire library at their fingertips, whether they are commuting, traveling, or simply enjoying a lazy afternoon at home. Additionally, digital files are easily searchable, enabling readers to locate specific information within seconds. With a few keystrokes, users can search for keywords, topics, or phrases, making research and finding relevant information a breeze. This efficiency saves time and effort, streamlining the learning process and allowing individuals to focus on extracting the information they need. Furthermore, the availability of free PDF books and manuals fosters a culture of continuous learning. By removing financial barriers, more people can access educational resources and pursue lifelong learning, contributing to personal growth and professional development. This democratization of knowledge promotes intellectual curiosity and empowers individuals to become lifelong learners, promoting progress and innovation in various fields. It is worth noting that while accessing free Mercedes Benz Parts Repair Manual PDF books and manuals is convenient and cost-effective, it is vital to respect copyright laws and intellectual property rights. Platforms offering free downloads often operate within legal boundaries, ensuring that the materials they provide are either in the public domain or authorized for distribution. By adhering to copyright laws, users can enjoy the benefits of free access to knowledge while supporting the authors and publishers who make these resources available. In conclusion, the availability of Mercedes Benz Parts Repair Manual free PDF books and manuals for download has revolutionized the way we access and consume knowledge. With just a few clicks, individuals can explore a vast collection of resources across different disciplines, all free of charge. This accessibility empowers individuals to become lifelong learners, contributing to personal growth, professional development, and the advancement of society as a whole. So why not unlock a world of knowledge today? Start exploring the vast sea of free PDF books and manuals waiting to be discovered right at your fingertips.

### **FAQs About Mercedes Benz Parts Repair Manual Books**

How do I know which eBook platform is the best for me? Finding the best eBook platform depends on your reading preferences and device compatibility. Research different platforms, read user reviews, and explore their features before making a choice. Are free eBooks of good quality? Yes, many reputable platforms offer high-quality free eBooks, including classics and public domain works. However, make sure to verify the source to ensure the eBook credibility. Can I read eBooks without an eReader? Absolutely! Most eBook platforms offer web-based readers or mobile apps that allow you to read eBooks on your computer, tablet, or smartphone. How do I avoid digital eye strain while reading eBooks? To prevent digital eye strain, take regular breaks, adjust the font size and background color, and ensure proper lighting while reading eBooks.

What the advantage of interactive eBooks? Interactive eBooks incorporate multimedia elements, quizzes, and activities, enhancing the reader engagement and providing a more immersive learning experience. Mercedes Benz Parts Repair Manual is one of the best book in our library for free trial. We provide copy of Mercedes Benz Parts Repair Manual in digital format, so the resources that you find are reliable. There are also many Ebooks of related with Mercedes Benz Parts Repair Manual. Where to download Mercedes Benz Parts Repair Manual online for free? Are you looking for Mercedes Benz Parts Repair Manual PDF? This is definitely going to save you time and cash in something you should think about.

### **Find Mercedes Benz Parts Repair Manual :**

~~map test scores 2022~~

**managerial economics online course**

**map and compass navigation courses online**

~~marlene dietrich affairs~~

~~mariott employee discount~~

*manolis kellis book*

**makeup face chart**

~~male reproductive system chart~~

~~mara dyer and noah shaw~~

*marriott employee discounts*

~~maps of gettysburg battlefield~~

~~major texts of judaism~~

*maci psych test*

*map of provence france with cities*

**malcolm's ranch hacks**

### **Mercedes Benz Parts Repair Manual :**