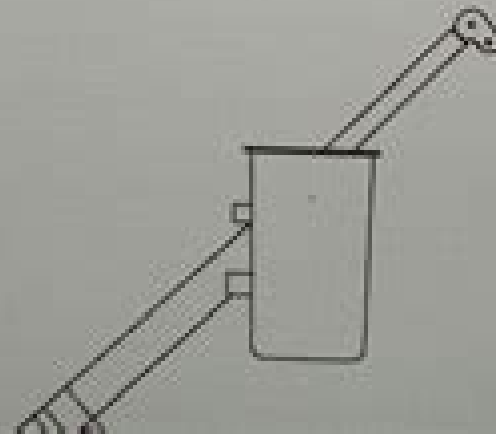


TEREX TELELECT DIGGER DERRICK

MAINTENANCE MANUAL

This Maintenance Manual MUST BE READ prior to operating your Digger Derrick.



Terex Telelect Manual

AW Chickering



Terex Telelect Manual
Mergent Industrial Manual ,2003
Operation Manual for TELEMARC 3 ,1982
Public Works Manual ,1979
MTS-001 operating manual ,1987
<i>Public Works Manual and Catalog File</i> ,1977
4114 Computer Display Terminal Tektronix, Inc,1982
Operation Manual ,1960
4050 Series Data Communications Interface Tektronix, Inc,1983
EDOS-2 Operator's Manual ,1977
Filosophies Fil Filipov,2013-01-14 Fil Filipov has taken basic management tenets to the next level through unforgiving implementation The beauty is in their simplicity the pain reward in their execution All were formed in a dynamic journey from hardship to spectacular success They worked for him and the bottom line of his employers They can help you get to the next level
Index of Patents Issued from the United States Patent and Trademark Office ,
Directory of Corporate Affiliations National Register Publishing Co. Staff,1998-06
Tree Care Industry ,2004
Ford Differentials Joe Palazzolo,Joseph Palazzolo,2013 A driveline expert guides you through each step of the rebuild process for 8 8 and 9 inch axle assemblies so you can confidently complete the work yourself He explains in detail limited slip and open differential disassembly inspection assembly final calibration and break in He also shows you how to identify worn ring and pinion gears rebuild clutch packs set the correct contact pattern for pinion and ring gears as well as the backlash and much more
<i>World Highways</i> ,1999

How to Rebuild & Modify GM Turbo 400 Transmissions Cliff Ruggles,2011 Over the last 50 years literally millions of GM cars and trucks have been built with Turbo 400 automatic transmissions While these transmissions are respected for their durability and versatility there always comes a point where the old transmission shows signs of wear At some point even the best transmissions need to be rebuilt Respected automotive technical author Cliff Ruggles takes readers through the complex rebuild procedure of GMs most popular rear wheel drive automatic transmission in this great new book Enthusiasts have embraced the reliable GM Turbo Hydra Matic400 three speed automatics for years and the popularity of these transmissions is not slowing down With his proven style Ruggles walks through the step by step rebuild and performance upgrade procedures in a series of full color photos for each of these models Time saving tips are part of every buildup This is a welcome addition to your automotive library Amateurs and professionals alike will appreciate the advice and guidance offered on every page Even if you end up deciding to have a professional take care of your transmission repair and performance needs this information is crucial to understanding how the power gets from the engine to the road

Bubble Head One Slick Chick Cari D. Elmore,2017-10-20 Bubble Head is a Crested Polish Banty One Slick Chick and a strange looking chicken that takes on a crafty fox in the first part of this children s adventure book I happen to be a stunning chicken I allow these humans to pet my lovely feathers and tell me I m one hot chicken but of course I know this It s obvious I m a chicken worth pick en Whether she s strange looking or lovely this hip chick will delight young readers as she takes on some worthy adversaries including a killer fox and a large snapping spider that appears on Halloween and if it bites you become the spider Does Bubble Head come out on top

Fleet Owner ,2001

The Advertising Red Books ,2004-10

Motor Grader Operator National Learning Corporation,2013 The Motor Grade Operator Passbook R prepares you for your test by allowing you to take practice exams in the subjects you need to study It provides hundreds of questions and answers in the areas that will likely be covered on your upcoming exam

Reviewing **Terex Telelect Manual**: Unlocking the Spellbinding Force of Linguistics

In a fast-paced world fueled by information and interconnectivity, the spellbinding force of linguistics has acquired newfound prominence. Its capacity to evoke emotions, stimulate contemplation, and stimulate metamorphosis is truly astonishing. Within the pages of "**Terex Telelect Manual**," an enthralling opus penned by a very acclaimed wordsmith, readers set about an immersive expedition to unravel the intricate significance of language and its indelible imprint on our lives. Throughout this assessment, we shall delve into the book's central motifs, appraise its distinctive narrative style, and gauge its overarching influence on the minds of its readers.

<https://offsite.creighton.edu/About/book-search/default.aspx/how%20to%20study%20organic%20chemistry%20for%20mcat.pdf>

<https://offsite.creighton.edu/About/book-search/default.aspx/How%20To%20Ikigai%20Ted%20Talk.pdf>

https://offsite.creighton.edu/About/book-search/default.aspx/How_To_Read_People_In_Poker.pdf

Table of Contents Terex Telelect Manual

1. Understanding the eBook Terex Telelect Manual
 - The Rise of Digital Reading Terex Telelect Manual
 - Advantages of eBooks Over Traditional Books
2. Identifying Terex Telelect Manual
 - Exploring Different Genres
 - Considering Fiction vs. Non-Fiction
 - Determining Your Reading Goals
3. Choosing the Right eBook Platform
 - Popular eBook Platforms
 - Features to Look for in an Terex Telelect Manual
 - User-Friendly Interface
4. Exploring eBook Recommendations from Terex Telelect Manual
 - Personalized Recommendations
 - Terex Telelect Manual User Reviews and Ratings

- Terex Telelect Manual and Bestseller Lists
- 5. Accessing Terex Telelect Manual Free and Paid eBooks
 - Terex Telelect Manual Public Domain eBooks
 - Terex Telelect Manual eBook Subscription Services
 - Terex Telelect Manual Budget-Friendly Options
- 6. Navigating Terex Telelect Manual eBook Formats
 - ePub, PDF, MOBI, and More
 - Terex Telelect Manual Compatibility with Devices
 - Terex Telelect Manual Enhanced eBook Features
- 7. Enhancing Your Reading Experience
 - Adjustable Fonts and Text Sizes of Terex Telelect Manual
 - Highlighting and Note-Taking Terex Telelect Manual
 - Interactive Elements Terex Telelect Manual
- 8. Staying Engaged with Terex Telelect Manual
 - Joining Online Reading Communities
 - Participating in Virtual Book Clubs
 - Following Authors and Publishers Terex Telelect Manual
- 9. Balancing eBooks and Physical Books Terex Telelect Manual
 - Benefits of a Digital Library
 - Creating a Diverse Reading Collection Terex Telelect Manual
- 10. Overcoming Reading Challenges
 - Dealing with Digital Eye Strain
 - Minimizing Distractions
 - Managing Screen Time
- 11. Cultivating a Reading Routine Terex Telelect Manual
 - Setting Reading Goals Terex Telelect Manual
 - Carving Out Dedicated Reading Time
- 12. Sourcing Reliable Information of Terex Telelect Manual
 - Fact-Checking eBook Content of Terex Telelect Manual
 - Distinguishing Credible Sources

13. Promoting Lifelong Learning
 - Utilizing eBooks for Skill Development
 - Exploring Educational eBooks
14. Embracing eBook Trends
 - Integration of Multimedia Elements
 - Interactive and Gamified eBooks

Terex Telelect Manual Introduction

Free PDF Books and Manuals for Download: Unlocking Knowledge at Your Fingertips In today's fast-paced digital age, obtaining valuable knowledge has become easier than ever. Thanks to the internet, a vast array of books and manuals are now available for free download in PDF format. Whether you are a student, professional, or simply an avid reader, this treasure trove of downloadable resources offers a wealth of information, conveniently accessible anytime, anywhere. The advent of online libraries and platforms dedicated to sharing knowledge has revolutionized the way we consume information. No longer confined to physical libraries or bookstores, readers can now access an extensive collection of digital books and manuals with just a few clicks. These resources, available in PDF, Microsoft Word, and PowerPoint formats, cater to a wide range of interests, including literature, technology, science, history, and much more. One notable platform where you can explore and download free Terex Telelect Manual PDF books and manuals is the internet's largest free library. Hosted online, this catalog compiles a vast assortment of documents, making it a veritable goldmine of knowledge. With its easy-to-use website interface and customizable PDF generator, this platform offers a user-friendly experience, allowing individuals to effortlessly navigate and access the information they seek. The availability of free PDF books and manuals on this platform demonstrates its commitment to democratizing education and empowering individuals with the tools needed to succeed in their chosen fields. It allows anyone, regardless of their background or financial limitations, to expand their horizons and gain insights from experts in various disciplines. One of the most significant advantages of downloading PDF books and manuals lies in their portability. Unlike physical copies, digital books can be stored and carried on a single device, such as a tablet or smartphone, saving valuable space and weight. This convenience makes it possible for readers to have their entire library at their fingertips, whether they are commuting, traveling, or simply enjoying a lazy afternoon at home. Additionally, digital files are easily searchable, enabling readers to locate specific information within seconds. With a few keystrokes, users can search for keywords, topics, or phrases, making research and finding relevant information a breeze. This efficiency saves time and effort, streamlining the learning process and allowing individuals to focus on extracting the information they need. Furthermore, the availability of free PDF books and manuals fosters a culture of continuous learning. By removing

financial barriers, more people can access educational resources and pursue lifelong learning, contributing to personal growth and professional development. This democratization of knowledge promotes intellectual curiosity and empowers individuals to become lifelong learners, promoting progress and innovation in various fields. It is worth noting that while accessing free Terex Telelect Manual PDF books and manuals is convenient and cost-effective, it is vital to respect copyright laws and intellectual property rights. Platforms offering free downloads often operate within legal boundaries, ensuring that the materials they provide are either in the public domain or authorized for distribution. By adhering to copyright laws, users can enjoy the benefits of free access to knowledge while supporting the authors and publishers who make these resources available. In conclusion, the availability of Terex Telelect Manual free PDF books and manuals for download has revolutionized the way we access and consume knowledge. With just a few clicks, individuals can explore a vast collection of resources across different disciplines, all free of charge. This accessibility empowers individuals to become lifelong learners, contributing to personal growth, professional development, and the advancement of society as a whole. So why not unlock a world of knowledge today? Start exploring the vast sea of free PDF books and manuals waiting to be discovered right at your fingertips.

FAQs About Terex Telelect Manual Books

How do I know which eBook platform is the best for me? Finding the best eBook platform depends on your reading preferences and device compatibility. Research different platforms, read user reviews, and explore their features before making a choice. Are free eBooks of good quality? Yes, many reputable platforms offer high-quality free eBooks, including classics and public domain works. However, make sure to verify the source to ensure the eBook credibility. Can I read eBooks without an eReader? Absolutely! Most eBook platforms offer web-based readers or mobile apps that allow you to read eBooks on your computer, tablet, or smartphone. How do I avoid digital eye strain while reading eBooks? To prevent digital eye strain, take regular breaks, adjust the font size and background color, and ensure proper lighting while reading eBooks. What the advantage of interactive eBooks? Interactive eBooks incorporate multimedia elements, quizzes, and activities, enhancing the reader engagement and providing a more immersive learning experience. Terex Telelect Manual is one of the best book in our library for free trial. We provide copy of Terex Telelect Manual in digital format, so the resources that you find are reliable. There are also many Ebooks of related with Terex Telelect Manual. Where to download Terex Telelect Manual online for free? Are you looking for Terex Telelect Manual PDF? This is definitely going to save you time and cash in something you should think about.

Find Terex Telelect Manual :

how to study organic chemistry for mcat

how to ikigai ted talk

how to read people in poker

how to make schedule in excel for employees

~~how to get more hypnotherapy clients~~

how to get into boxing shape

how to sign yourself to a record label

~~how to set timing without timing light~~

how to hack wifi password

how to study for a spanish test

how to discover the paintings secret hogwarts

how to take charge of your life jim rohn

how to do vertical analysis of income statement

how to deal with a taurus woman

how to recover from codependency

Terex Telelect Manual :

curso de fundamentos de redes ccna1 v7 educaciónit - Dec 07 2022

web en este curso aprenderás fundamentos de las redes modernas representaciones y topologías escalabilidad y tolerancia a los fallos seguridad en red amenazas y vulnerabilidades más frecuentes defensa en profundidad y backups tipos de firewalls trabajar con capas físicas y enlace de datos

fundamentos de redes paso a paso networking funda pdf - Jul 14 2023

web right here we have countless book fundamentos de redes paso a paso networking funda and collections to check out we additionally offer variant types and next type of the books to browse the up to standard book fiction history novel scientific research as competently as various further sorts of books are readily within reach here as

fundamentos de redes de computadores 3 cursos udemy - Nov 06 2022

web o que você aprenderá princípios básicos de redes de computadores arquitetura de redes de computadores tipos de cabeamentos de redes conhecer os principais protocolos de rede e suas funções aprender sobre os principais dispositivos de

rede e suas funcionalidades

fundamentos de redes paso a paso networking funda copy - Apr 30 2022

web 2 fundamentos de redes paso a paso networking funda 2023 03 07 motiva a tus clientes es el arte y la ciencia de hacer anuncios cartas contenido web o publicado que convence a la gente para comprar este libro te da toda la información básica sobre cómo comenzar y llegar a ser grande en la redacción de texto comercial también

fundamentos de redes paso a paso networking funda - Jan 28 2022

web computer networks tanenbaum 2011 tanenbaum takes a structured approach to explaining how networks work from the inside out he starts with an explanation of the physical layer of networking computer hardware and transmission systems then works his way up to network applications tanenbaum s in depth application coverage includes

fundamentos de redes paso a paso networking funda - Mar 30 2022

web fundamentos lógicos de las redes neurales artificiales fundamentos de los sistemas de implementación de protección social servicio técnico 22 periféricos teclado mouse y parlantes

fundamentos de redes paso a paso networking funda copy - Dec 27 2021

web mar 9 2023 to look guide fundamentos de redes paso a paso networking funda as you such as by searching the title publisher or authors of guide you in reality want you can discover them rapidly in the house workplace or perhaps in your method can be every best area within net connections

fundamentos de redes aprende las bases del networking - Jun 13 2023

web aprenderás como funciona la arquitectura de una red determinarás la funcionalidad de los dispositivos de red comprenderás las capas de un modelo de red podrás comprender y entender cuales son las diferencias entre los modelos de redes sabrás como funciona el direccionamiento avanzado

fundamentos de redes paso a paso networking funda - Feb 26 2022

web aug 20 2023 fundamentos de redes paso a paso networking funda 2 9 downloaded from uniport edu ng on august 20 2023 by guest computer networks andrew s tanenbaum 2003 details descriptions of the principles associated with each layer and presents many examples drawn the internet and wireless networks

fundamentos de redes paso a paso networking funda - Apr 11 2023

web we pay for you this proper as well as simple showing off to get those all we present fundamentos de redes paso a paso networking funda and numerous book collections from fictions to scientific research in any way accompanied by them is this fundamentos de redes paso a paso networking funda that can be your partner rethinking

cisco ccna fundamentos de networking para redes ip - Oct 05 2022

web bienvenido al curso de fundamentos de networking para redes ip ccna el curso en el que aprenderás paso a paso y de

una forma fácil y estructurada las bases teóricas y prácticas del funcionamiento de las redes ip más de 1 000 alumnos en los primeros 4 meses el curso de redes en español con mejor puntuación en udemy he

fundamentos de redes paso a paso networking funda pdf - Sep 04 2022

web tcp ip joe casad 2012 03 20 el experto autor e ingeniero de redes joe casad le guiará desde los fundamentos básicos hasta las técnicas más avanzadas incluyendo las arquitecturas tcp ip capas subredes cidr enrutamiento

fundamentos de redes paso a paso networking funda pdf - Jun 01 2022

web fundamentos de redes paso a paso networking funda downloaded from ftp popcake com by guest shepard diaz

fundamentos guías de estudio de medicina china redusers estos 24 fascículos abarcan cada una de las distintas áreas del mantenimiento de computadoras hardware armado de equipos diagnóstico integral

fundamentos de redes paso a paso networking funda - Jul 02 2022

web 4 fundamentos de redes paso a paso networking funda 2022 12 18 estrategias que a menudo son completamente ignorados por la mayoría de la gente porque son altamente contrarios a la intuición esta guía te lleva de la mano y te lleva paso a paso en un viaje en el que descubrirás cómo encender el interruptor de tus redes

fundamentos de redes paso a paso networking fundamentals - Feb 09 2023

web fundamentos de networking para redes ip fundamentos de redes paso 1 docx fundamentos de redes assessment el primer paso para encontrar la solución fundamentos de redes paso a paso networking fundamentals

fundamentos ccna curso básico de redes udemy - Jan 08 2023

web description en este curso el estudiante obtendrá una comprensión básica del funcionamiento de las redes aprenderá sobre los componentes de la red y sus funciones sobre cómo está estructurada una red y las arquitecturas utilizadas para crear redes incluido internet el propósito es más que aprender conceptos de redes

fundamentos de redes paso a paso networking funda copy - Aug 15 2023

web fundamentos de redes paso a paso networking funda fundamentos de los sistemas de implementación de protección social servicio técnico 18 hardware stressing fundamentos de investigación de operaciones para administración servicio técnico 21 redes wi fi optimización y seguridad fundamentos lógicos de las redes neurales

cisco ccna fundamentos de networking para redes ip udemy - May 12 2023

web bienvenido al curso de fundamentos de networking para redes ip ccna el curso en el que aprenderás paso a paso y de una forma fácil y estructurada las bases teóricas y prácticas del funcionamiento de las redes ip más de 13 500 alumnos inscritos el curso de redes en español con mejor puntuación en udemy

fundamentos de redes paso a paso networking funda pdf - Mar 10 2023

web apr 10 2023 fundamentos de redes paso a paso networking funda can be taken as capably as picked to act the role of

technology in distance education routledge revivals tony bates 2014 11 13 this book first published in 1984 provides a comprehensive review of the range of technology that was being used in distance

curso de fundamentos de redes online grátis iestudar com - Aug 03 2022

web nossos cursos ficam disponíveis 24 horas por dia em nossa plataforma de ensino à distância e podem ser acessados em computadores notebooks tablets ou smartphones o curso gratuito de fundamentos de redes possui a carga horária de 60 horas e para concluir basta responder à avaliação e alcançar uma nota igual ou superior a 60 pontos

diy disney autograph book and printables sew simple - Feb 08 2023

web may 16 2020 one of the best free activities as disney is collecting character signatures and this book allows kids and adults of all ages to do just that autograph book

my disney autograph book july 2020 kids autograph journal - Apr 29 2022

my disney autograph book kids signature pages for all 94 - Dec 06 2022

web my disney autograph book july 2020 kids autograph journal for character signatures for girls and boys signatures character amazon com tr kitap

how to make a disney autograph book with meet - Mar 09 2023

web one of the best free activities as disney is collecting character signatures and this book allows kids and adults of all ages to do just that inside the autograph book you ll find 50

amazon com disney autograph books for kids - Nov 24 2021

save money with this free printable disney autograph - Aug 14 2023

this method is the simplest and cheapest of them all use a hole punch to punch a hole or two in your book pages then place a metal ring through each hole and close to bind simple this method is very easy but isn t quite as durable as the other methods it might work perfectly for you though if you want the see more

disney store world of disney autograph book and pen set - Dec 26 2021

this free printable diy disney autograph book will be the park - Jun 12 2023

this is my favorite method for making your own diy disney autograph book and the method that i chose to use you can take your autograph book to office depot staples or kinkos see more

the best disney autograph books for your next - Mar 29 2022

my disney autograph book dog design the perfect kids - Aug 02 2022

web disney autograph book for kids bundle with 50 page mickey signature book with pen plus stickers tattoos more disneyland autograph book

my disney autograph book 2021 google books - Jul 01 2022

web nov 14 2022 autograph book for trip and family this autograph book is perfect for anyone planning a trip to see their favorite character and all of their friends features

my disney autograph book kids autograph book star galaxy - Feb 25 2022

free printable disney character autograph pages perfect for - May 31 2022

web autograph book 2023 autograph and photo book with a double page for kids character signature trips to adventure theme parks by liama lossi drak 4 6 out of 5

the 15 best disney autograph books ideas to diy - Sep 03 2022

web 25 photo wallets and 23 blank pages for autographs each page for signatute features photo sleeve on other side elastic pen loop retractable ballpoint pen mickey icon

diy disney autograph book free printable the - May 11 2023

web my disney autograph book kids signature pages for all 94 disney characters girls and boys morgan ryan signatures character on amazon com au free shipping

140 disney autograph book ideas autograph books - Oct 04 2022

web sep 8 2021 one of the great things about the autograph book is that as long as you have blank pages you can continue to bring it back to disney world for more signatures

autograph book for kids to collect your next trip signature - Oct 24 2021

disney autograph book free printable thatsvandy - Jul 13 2023

this next method is pretty simple and inexpensive too simply head to your local dollar store and pick up a small 4 x 6 photo album place each cut autograph book page inside the album pages to make your book the see more

do it yourself disney autograph and photo memory - Nov 05 2022

web my disney autograph book kids autograph book star galaxy 50 blank pages for disney character autographs at disney world disneyland disney cruises

disney world autograph book guide tips inside the magic - Jan 27 2022

diy disney autograph book with free printables svg - Apr 10 2023

web apr 1 2022 minnie mouse autograph book this book has autograph pages and photo sleeves and is simply adorable this one is minnie themed and has an actual bow on it

diy disney autograph book the mouse for less blog - Jan 07 2023

web mar 7 2016 if so check out these free disney character autograph pages that i ve designed especially for hip2save readers to print they can be used to make a fun

amazon com disney signature books - Sep 22 2021**a step by step guide for invoicing extraction fi ca sap blogs** - Jul 16 2023

web apr 30 2014 this document will guide through the steps to implement for extraction of invoice in fi ca introduction to fi ca flow there are 3 main areas in fi ca invoicing posting and payment below is a small diagram illustrating the overall data flow of the sd fi ca fi co explanation above illustration

sap help portal - Jul 04 2022

web find sap product documentation learning journeys and more this site uses cookies and related technologies as described in our privacy statement for purposes that may include site operation analytics enhanced user experience or advertising

sap contract accounts receivable and payable in fi fi ca - Apr 01 2022

web sap fi ca sub module is an application component stands for contract accounts receivable and payable in fi it is coming under the fi module financial accounting here is a quick overview tutorial about its sub modules transaction codes and tables for your training purpose sap fi ca sub components

fico vs fica why fica for utility companies instead of sap - May 14 2023

web may 6 2020 basically fica is a cross application component it s an industry specific sub ledger accounting system used in various industry specific solutions like isu telecom insurance if we compare it business is b2c scenario whereas in sd we consider it as b2b scenario business is selling to another business

transferring sd billing documents to fi ca sap help portal - Dec 09 2022

web features you can integrate sales and distribution sd with contract accounts receivable and payable fi ca by activating in customizing the direct posting of sd billing documents in fi ca based on the customer account groups

difference between fi ca and fi co sap community - Aug 05 2022

web oct 22 2018 difference between fi ca and fi co 596 views follow rss feed hi all forgive my naivety i am new to sap i believe sap fi ca and fi co do be completely different modules with different uses and functionalities but i am now being told different can someone please tell me how are they different

what is sap fica contract accounts receivable and payable - Jun 15 2023

web may 9 2022 what is sap fica contract accounts receivable and payable sachin h patil may 9 2022 by sachin patil contract accounts receivable and payable is a subledger developed for industries with a large customer base and a correspondingly high volume of documents to post such as utility companies

fi ca sap blogs - Jun 03 2022

web oct 28 2016 quick start guide blogs tagged fi ca write a blog post categories business trends event information personal insights product information technical articles user experience insights popular tags sap business technology platform sap s 4hana cloud sap analytics cloud abap development sap integration suite

fi ca or fi ar which module best fits your needs - Sep 06 2022

web gold coast qld learn more although both accounts receivable fi ar and contract accounts receivable and payable fi ca track accounts receivable transactions there are important

concept between fi ca fi ar and fi ap sap community - Nov 08 2022

web nov 8 2010 the fi ca is a subledger accounting for processing large document volumes and realizes the typical accounts receivable functions therefore you should must use it if you use the component is u for billing and invoicing

2035406 fi ca transactions fpo1 fpo1p fpo4 fpo4p result - May 02 2022

web 2035406 fi ca transactions fpo1 fpo1p fpo4 fpo4p result is different to the general ledger account balance symptom you use transaction fpo1 sap contract accounts receivable and payable 4 71 sap contract accounts receivable and payable 4 72

fi ca installment plan sap help portal - Jan 10 2023

web fi ca installment plan sap help portal home sap s 4hana cloud migration objects for sap s 4hana cloud this document favorite download pdf share fi ca installment plan on this page purpose in scope supported features prerequisites mapping instructions tasks post processing further information

introduction of fi ca payment request sap blogs - Oct 19 2023

web oct 15 2021 fi ca payment request the workflow of payment request in contract accounting fi ca includes 1 creation of payment request 2 outbound processing 3 inbound processing and 4 internal data flow in the following sections we introduce them in detail separately

difference between fico fica and fscm sap community - Aug 17 2023

web jul 25 2011 fi ca is a module for running contract accounts and used for utilities in cooperation with is u module read more help sap com saphelp fica471 helpdata en 7b 834f3e58717937e1000000a114084 frameset htm wiki answers com q is sap fica correct or sap fico correct ixzz1t5gwwgq5

fi ca simple scenario electronic bank statement sap blogs - Oct 07 2022

web jan 7 2016 this document describes the simple process of importing electronic bank statement file in sap pulling items to fi ca interpreting them and finally transfer postings to general ledger i hope it will be useful for consultants to set and test the process and give them a quick start in this area

fi ca contract account sap help portal - Apr 13 2023

web fi ca contract account on this page purpose in scope supported features prerequisites mapping instructions custom fields tasks post processing available migration objects in sap s 4hana cloud tip this migration object supports custom fields for more information refer to the custom fields section below purpose in scope

creating billing document requests in fi ca sap help portal - Feb 11 2023

web the function for transferring sd billing documents to fi ca must be active features from the general scope of functions for the transfer of sd billing documents to fi ca the following arises for the billing documents

sap fi ca integration with fi sap blogs sap community - Sep 18 2023

web jul 6 2022 recall that sap fi ca is a sub accounting of the general ledger and the accounting postings which in fi ca are associated with a contract account are not immediately transferred to the general ledger but are stored in an object called reconciliation key in the form of a summary record

message based situation handling in finance contract accounting fi ca - Mar 12 2023

web nov 12 2021 fi ca and ci are the first application areas in sap s 4hana on premise and sap s 4hana cloud to use message based situation handling to transform information warnings and error messages into situations directly inform the users responsible and propose actions to resolve the issues

fi ca and fi cax components are they redundant sap - Feb 28 2022

web feb 28 2012 1 we are a is u based project 2 our switch framework shows that we have active is u fi ca and fi cax at the same time 3 is u and fi ca components are running in ehp5 4 fi cax is running in ehp0