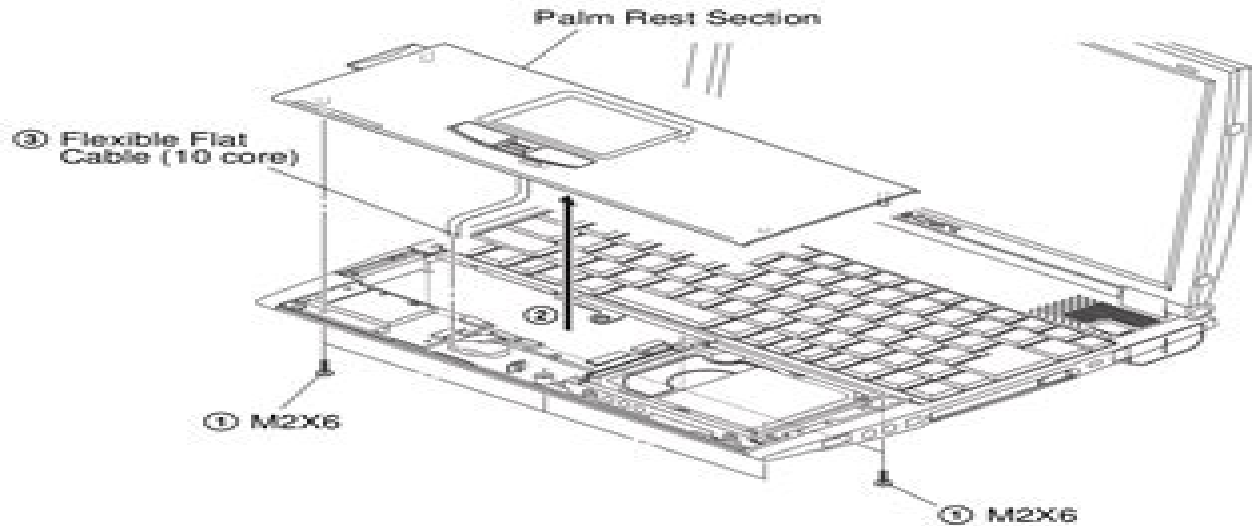
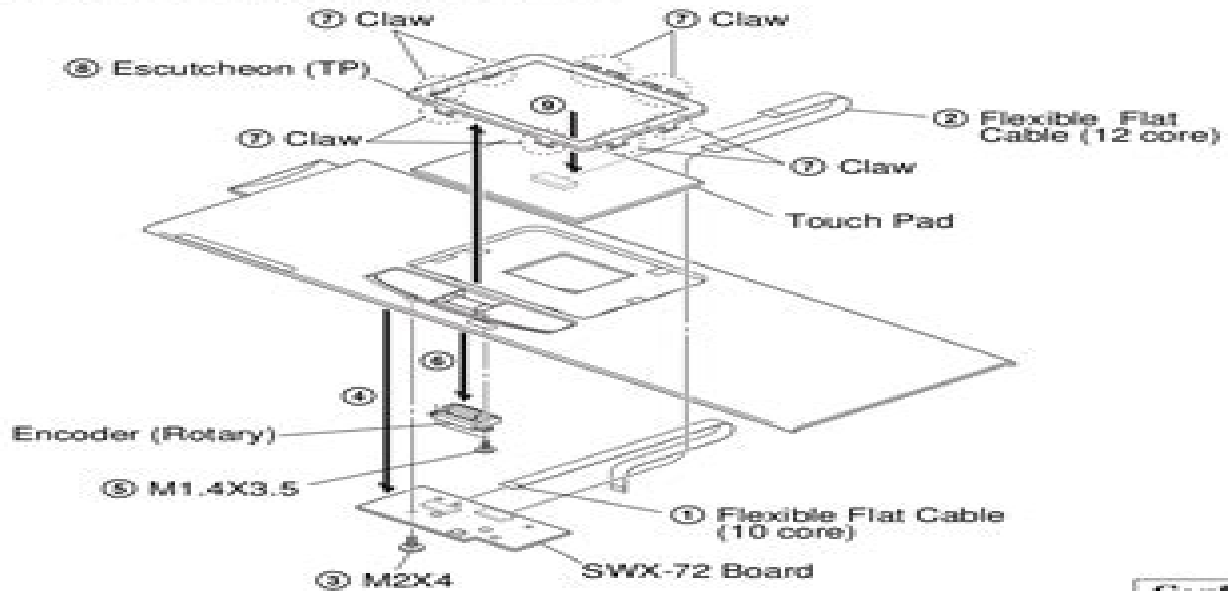


**2. Palm Rest Section**



**3. SWX-72 Board, Encoder (Rotary), Touch Pad**



# **Sony Vaio Laptop User Guide**

**Cliff Wootton**



# Sony Vaio Laptop User Guide

**D.I.Y Laptop Repair; The Portable Field Reference Guide** Garry Romaneo,2011-10-23 This book will educate you on the Correct Process of Repairing The Entire Laptop Including and concentrating more on Motherboard Repair Instruction Screen Repairing Component Level Diagnosing and Repairing This is the 3rd Book Released By Author Garry Romaneo The Worlds Leading Laptop Repair Technician Author and Consultant About the author Garry Romaneo has been repairing laptop computers and micro components for over 21 years and is known worldwide for teaching his methods and techniques This is the Third Book released by Author Garry Romaneo and continue to offer an Online Interactive version as an alternative or in addition to this paperback edition visit [www diy laptoprepair com](http://www.diy.laptoprepair.com)      **A Practical Guide to Fedora and Red Hat**

**Enterprise Linux** Mark G. Sobell,2008-05-09 Master All the Techniques You Need to Succeed with Fedora and Red Hat Enterprise Linux in the Workplace You re studying Fedora and Red Hat Enterprise Linux with a single goal to succeed with these state of the art operating systems in real workplace environments In this book one of the world s leading Linux experts brings together all the knowledge you ll need to achieve that goal Writing in plain English best selling author Mark Sobell explains Linux clearly and effectively focusing on the skills you will actually use as a professional administrator user or programmer Sobell assumes no prior Linux knowledge He starts at the very beginning and walks you through every topic and skill that matters Step by step you ll learn how to install and configure Linux from the accompanying DVD navigate its graphical user interfaces set up Linux to provide file print sharing and Internet services make sure Linux desktops and networks are as secure as possible work with the powerful command line and administer Linux in real business environments Mark Sobell has taught hundreds of thousands of Linux and UNIX professionals He knows every Linux nook and cranny and he never forgets what it s like to be new to Linux Whatever your Linux related career goals this book gives you all you need and more Compared with the other Linux books out there A Practical Guide to Fedora and Red Hat Enterprise Linux College Edition delivers Complete up to the minute coverage of Fedora 8 and Enterprise Linux 5 Deeper coverage of the command line and the GNOME and KDE GUIs including customizing the desktop More practical coverage of file sharing using Samba NFS and FTP More usable realistic coverage of Internet server configuration including Apache sendmail NFS DNS BIND and LDAP More state of the art security techniques including SELinux Security Enhanced Linux ACLs Access Control Lists firewall setup using both the Red Hat GUI and iptables and a full chapter on OpenSSH More and better coverage of meat and potatoes system network administration tasks A more practical introduction to writing bash shell scripts Complete instructions on keeping Linux systems up to date using yum And much more including a 500 term glossary and a comprehensive index to help you find what you need fast Includes DVD Get the full version of the Fedora 8 release      **A**

**Professional Guide to Audio Plug-ins and Virtual Instruments** Mike Collins,2012-08-21 If you are an audio professional

needing a complete reference to the complex world of plug ins and virtual instruments look no further Mike Collins author of Pro Tools for Music Production has meticulously surveyed the scene showing what s available and how they integrate into the various host platforms The book explains the differences between TDM RTS MAS and VST plug ins how they can be used with different MIDI Audio programs and shows the range of options available It also explains virtual instruments and how these can be used as either plug ins or stand alone products A must for every recording studio The book combines explanations overviews and key concepts with practical considerations and hands on examples The reader will gain a broad understanding of the options available how they work and the possibilities for integration with systems as well as the end result The book also includes a section on how to write your own plug ins and a suggested standard plug ins portfolio for those wanting to get started quickly

A Practical Guide to Video and Audio Compression Cliff Wootton,2005-04-28 Learn all about Codecs how they work as well as design and implementation with this comprehensive easy to use guide to compression After reading this book you will be able to prepare and distribute professional audio and video on any platform including streamed to the web broadcast on air stored in PVRs Burned onto CD ROMs or DVDs delivered by broadband or viewed in Kiosk applications PDA devices and mobile phones

**The Complete Idiot's Guide to eBay, 2nd Edition** Lissa Mcgrath,Skip McGrath,2010-01-05 Experts explain the new eBay eBay users new and experienced also need a clear convenient reference for optimum results In this revised edition readers will find Tips on how to set up an account Buying and selling Protecting one s identity Finding the best deals Making fast and profitable sales Revised version includes major changes to eBay as of July 2009 which change users experience Authors deeply involved and influential in the eBay community as sellers and educators Tens of millions of people use eBay every day and three quarters of a million people earn their living with it

*The Complete Guide to Sony's Alpha 560 and 580 Digital SLR Cameras* , *A Practical Guide to Computer Forensics Investigations* Darren R. Hayes,2015 A Practical Guide to Computer Forensics Investigations introduces the newest technologies along with detailed information on how the evidence contained on these devices should be analyzed Packed with practical hands on activities students will learn unique subjects from chapters including Mac Forensics Mobile Forensics Cyberbullying and Child Endangerment This well developed book will prepare students for the rapidly growing field of computer forensics for a career with law enforcement accounting firms banks and credit card companies private investigation companies or government agencies

Choosing and Using Audio and Music Software Mike Collins,2004 Provides advice on which audio software and hardware to purchase which is most suitable for your latest project or how best to move between platforms mid project The guide offers authoritative information and comparison between the systems currently available to help inform your own decisions

How to Walk in High Heels: The Girl's Guide to Everything Camilla Morton,2009-06-25 From appreciating wine to understanding modern art placing a bet to playing poker wearing a hat to finding the mains HOW TO WALK IN HIGH HEELS helps you navigate life s challenges with style Funny and informative

filled with great quotes and fascinating facts this will transform your approach to everything from getting dressed to hanging wallpaper Turn your exasperated aaaaarrrrghs into confident ahhhhh Computer Buyer's Guide and Handbook ,2001-07  
InfoWorld ,1998-07-13 InfoWorld is targeted to Senior IT professionals Content is segmented into Channels and Topic Centers InfoWorld also celebrates people companies and projects **A Practical Guide to Red Hat Linux** Mark G. Sobell,2007 A new edition of this title is available ISBN 10 0137142951 ISBN 13 9780137142958 Since I m in an educational environment I found the content of Sobell s book to be right on target and very helpful for anyone managing Linux in the enterprise His style of writing is very clear He builds up to the chapter exercises which I find to be relevant to real world scenarios a user or admin would encounter An IT IS student would find this book a valuable complement to their education The vast amount of information is extremely well balanced and Sobell manages to present the content without complicated asides and meandering prose This is a must have for anyone managing Linux systems in a networked environment or anyone running a Linux server I would also highly recommend it to an experienced computer user who is moving to the Linux platform Mary Norbury IT Director Barbara Davis Center University of Colorado at Denver from a review posted on slashdot.org I had the chance to use your UNIX books when I when was in college years ago at Cal Poly San Luis Obispo CA I have to say that your books are among the best They re quality books that teach the theoretical aspects and applications of the operating system Benton Chan IS Engineer The book has more than lived up to my expectations from the many reviews I read even though it targets FC2 I have found something very rare with your book It doesn t read like the standard a technical text it reads more like a story It s a pleasure to read and hard to put down Did I say that David Hopkins Business Process Architect Thanks for your work and for the book you wrote There are really few books that can help people to become more efficient administrators of different workstations We hope in Russia that you will continue bringing us a new level of understanding of Linux UNIX systems Anton Petukhov Mark Sobell has written a book as approachable as it is authoritative Jeffrey Bianchine Advocate Author Journalist Excellent reference book well suited for the sysadmin of a Linux cluster or the owner of a PC contemplating installing a recent stable Linux Don t be put off by the daunting heft of the book Sobell has striven to be as inclusive as possible in trying to anticipate your system administration needs Wes Boudville Inventor A Practical Guide to Red Hat Linux is a brilliant book Thank you Mark Sobell C Pozrikidis University of California at San Diego This book presents the best overview of the Linux operating system that I have found It should be very helpful and understandable no matter what the reader s background is traditional UNIX user new Linux devotee or even Windows user Each topic is presented in a clear complete fashion and very few assumptions are made about what the reader knows The book is extremely useful as a reference as it contains a 70 page glossary of terms and is very well indexed It is organized in such a way that the reader can focus on simple tasks without having to wade through more advanced topics until they are ready Cam Marshall Marshall Information Service LLC Member of Front Range UNIX Users Group FRUUG Boulder Colorado

Conclusively this is THE book to get if you are a new Linux user and you just got into RH Fedora world There s no other book that discusses so many different topics and in such depth Eugenia Loli Queru Editor in Chief OSNews comThe Best Just Became BETTER Again Completely Revised to Meet All Your Fedora Core and Red Hat Enterprise Linux Needs Fedora Core and Red Hat Enterprise Linux are advanced operating systems You need a book that s just as advanced This book explains Linux clearly and effectively with a focus on features you care about from system security and Internet server setup to Windows file printer sharing Best selling author Mark Sobell starts at the beginning and walks you through everything that matters from installing Linux using the included DVD to working with GNOME KDE Samba sendmail Apache DNS NIS and iptables This edition contains extensive coverage including full chapters on using Linux from the command line and GUI even more thorough system administration and security guidance and up to the minute step by step instructions for setting up networks and every major type of Internet server Along the way you learn the hows andthe whys Mark Sobell knows every Linux nook and cranny has taught hundreds of thousands of readers and never forgets what it s like to be new to Linux Whether you are a user an administrator or a programmer this book gives you all you need and more Don t settle for yesterday s Linux book get the ONLY book that meets today s challenges andtomorrow s Compared with the other Linux books out there A Practical Guide to Red Hat Linux Third Edition delivers Complete coverage of Fedora Core and Red Hat Enterprise Linux Deeper coverage of the command line and the GNOME and KDE GUIs including GUI customization More practical coverage of file sharing with Samba NFS and FTP More detailed usable coverage of Internet server configuration including Apache sendmail NFS and DNS BIND More state of the art security techniques including SELinux Security Enhanced Linux ACLs Access Control Lists firewall setup using the Red Hat GUI and using iptables and a full chapter on OpenSSH More and better coverage of meat and potatoes system network administration tasks A more practical introduction to writing bash shell scripts Complete instructions on how to keep your Linux system up to date using yum And much more including a 500 term glossary and a comprehensive index to help you find what you need fast Includes DVD Get the full version of Red Hat s Fedora Core 5 release

**The Complete Idiot's Guide to Private Investigating** Steven Kerry Brown,2007 An updated and revised edition of the most highly recommended guide to learning to be a private investigator or just using the tools PIs do to understand what goes on in your local courthouse find information in public records and perform searches to save you time and money Among the changes for this edition Completely new chapters on skip tracing Up to date information on how to make money by understanding your local courthouse and finding not so hidden gems in public records Under the radar databases you need to know about Completely new and hot chapters on due diligence searches including pre employment and tenant screening investigations and adoption searches

**The Official Ubuntu Book** Benjamin Mako Hill,2007 The official guide to the hottest Linux distribution which starts you out and points you in the direction you want to go

**Absolute Beginner's Guide to Photoshop Elements 2** Lisa Lee,2002-10-24 New to

Photoshop Elements Learn everything you need to know to make your pictures perfect with Absolute Beginner's Guide to Adobe Photoshop Elements 2 The book covers all aspects of the software including the new features borrowed from the new Photoshop 7 offering you quick and easy explanations on controlling the software for the results you want Photoshop Elements provides easy access to powerful editing tools and connects users to online output services as well as options for Web and print output Absolute Beginner's Guide to Adobe Photoshop Elements 2 shows the beginning user how to maximize all these features and more The Faber Pocket Guide to Britten John Bridcut,2010-11-04 John Bridcut author of the acclaimed Britten's Children will include significant fresh material which will make the book indispensable for Britten aficionados as well as for those who are discovering the composer's music for the first time This guide is all about finding a way into Britten's music An outline of planned chapters The Top Ten Britten pieces Critics First Impressions Britten's Life Britten and Pears The things they said The Music stage works choral works songs chamber music orchestral works The Interpreters of Britten's work Britten as Performer The Impresario English Opera Group and Aldeburgh Festival Britten's Homes Trivial Pursuits Exploring the JDS Linux Desktop Tom Adelstein,Sam Hiser,2004 Accompanying disc contains a version of JDS Linux Desktop which can be run directly from the disc without installation *Entrepreneur's Guide To Developing Successful Products* Marty Manners, There are many aspects to running businesses and products are the most important of them Unless and until you have a great product your business is a nonstarter But then even businesses with great products can flounder So how can you ensure that you build great products that run businesses How can you make sure that your product attracts the market's attention Here is what you must know about building products for your business

**How to Do Everything with Your Sony VAIO (R)** Tom Dunlap,2004-06-01 Here is a friendly solutions oriented guide to getting the most out of your Sony Vaio You'll find full coverage of all aspects of the laptop including adding peripherals using the bundled software linking to digital cameras and home stereos and performing routine maintenance and upgrades

**CompTIA A+ Complete Deluxe Study Guide** Quentin Docter,Emmett Dulaney,Toby Skandier,2016-01-05 The ultimate study companion for the A certification exams The CompTIA A Complete Deluxe Study Guide 3rd Edition is your ultimate preparation tool for exams 220 901 and 220 902 This Complete Deluxe Study Guide covers 100% of the objectives for both exams so you can avoid surprises on exam day Practical insights and examples drawn from real world experiences give you a glimpse into life on the job as you solidify your understanding of crucial hardware and operating system maintenance and troubleshooting practice effective communication enhance your job skills and get up to speed on safety security and environmental issues Exam highlights show you what to expect on the big day and end of chapter reviews help you grasp the major points in the material Plus you'll get access to the exclusive Sybex interactive online learning environment featuring Eight practice exams Hundreds of sample questions Electronic flashcards Searchable glossary of important terms Over an hour of instructor led videos on key exam topics Free eBook compatible with multiple devices so you can study on the go The

CompTIA A certification is the essential computer technician credential and is required by over 100 leading employers The CompTIA A Complete Deluxe Study Guide 3rd Edition gives you everything you need to approach the exam with confidence and pass with flying colors

**basteranno i sogni on apple books** - Jul 24 2022

web jun 9 2015 per fare un prato ci vuole del trifoglio e un ape un trifoglio e un ape e sogni ad occhi aperti e se saran poche le api basteranno i sogni sei convinto che un verso contribuisca al potente spettacolo del mondo

*basteranno i sogni api calvertfoundation* - Sep 25 2022

web basteranno i sogni 1 basteranno i sogni sogni lucidi il benessere con la psicologia stare meglio con se stessi e con gli altri la teoria e la tecnica operativa un sogno oltre il mare il giardino delle pietre ollari basteranno i sogni il cacciatore di incubi tra sogni e realtà il sogno più dolce dream il sogno delle fate da sogni a favole

**basteranno i sogni formato kindle amazon it** - May 02 2023

web basteranno i sogni ebook dickinson emily lanati barbara amazon it libri passa al contenuto principale it ciao scegli il tuo indirizzo kindle store seleziona la categoria in cui desideri effettuare la ricerca ricerca amazon it ciao accedi account e liste

*basteranno i sogni dickinson emily ebook lafeltrinelli* - Feb 28 2023

web basteranno i sogni è un ebook di dickinson emily pubblicato da feltrinelli nella collana zoom poesia a 0 99 il file è in formato epub2 con adobe drm risparmio online con le offerte lafeltrinelli

**basteranno i sogni dickinson emily ebook libreria ibs** - Aug 05 2023

web basteranno i sogni è un ebook di dickinson emily pubblicato da feltrinelli nella collana zoom poesia a 0 99 il file è in formato epub2 con adobe drm risparmio online con le offerte ibs

**basteranno i sogni by emily dickinson goodreads** - Sep 06 2023

web per fare un prato ci vuole del trifoglio e un ape un trifoglio e un ape e sogni ad occhi aperti e se saran poche le api basteranno i sogni sei convinto che un verso contribuisca al potente spettacolo del mondo assapora zoom poesia piccole preziose antologie di testi editi e inediti da gustare un verso alla volta

*basteranno i sogni e book emily dickinson feltrinelli ebook* - Aug 25 2022

web e book di emily dickinson basteranno i sogni dell editore feltrinelli percorso di lettura dell e book ebook libri per fare un prato ci vuole del trifoglio e un ape un trifoglio e un ape e sogni ad occhi aperti

**basteranno i sogni emily dickinson libro cafe** - Apr 01 2023

web 11 06 2015 categorie letteratura e narrativa poesia per fare un prato ci vuole del trifoglio e un ape un trifoglio e un ape e sogni ad occhi aperti e se saran poche le api basteranno i sogni sei convinto che un verso contribuisca al potente spettacolo



del

**tureng bastiran türkçe İngilizce sözlük** - Apr 20 2022

web İngilizce türkçe online sözlük tureng kelime ve terimleri çevir ve farklı aksanlarda sesli dinleme repressor bastiran compressive bastiran ne demek

**basteranno i sogni** - Feb 16 2022

web basteranno i sogni quintodecimo i sogni dei fanatici i paradisi delle sette strada maestra la stanza del sogno un sogno oltre il mare bambini sogni furori il benessere con la psicologia stare meglio con se stessi e con gli altri la teoria e la tecnica operativa annali universali di medicina tra sogni e realtà tre sogni della letteratura

**basteranno i sogni ebook emily dickinson 9788858854068** - Jun 03 2023

web per fare un prato ci vuole del trifoglio e un ape un trifoglio e un ape e sogni ad occhi aperti e se saran poche le api basteranno i sogni ebook emily dickinson 9788858854068 boeken bol com

basteranno i sogni emily dickinson feltrinelli editore - Oct 07 2023

web basteranno i sogni di emily dickinson sfoglia estratto brossura 0 99 acquista per fare un prato ci vuole del trifoglio e un ape un trifoglio e un ape e sogni ad occhi aperti e se saran poche le api basteranno i sogni sei convinto che un verso contribuisca al potente spettacolo del mondo

**basteranno i sogni ebook epub emily dickinson barbara** - Dec 29 2022

web basteranno i sogni emily dickinson barbara lanati feltrinelli editore des milliers de livres avec la livraison chez vous en 1 jour ou en magasin avec 5 de réduction

**basteranno i sogni by emily dickinson barnes noble** - Jan 30 2023

web jun 9 2015 per fare un prato ci vuole del trifoglio e un ape un trifoglio e un ape e sogni ad occhi aperti e se saran poche le api free shipping on orders of 40 or more

bastonare dizionario dei sinonimi e dei contrari corriere it - Mar 20 2022

web bastonare scopri sinonimi e contrari del termine su dizionario dei sinonimi e dei contrari del corriere it

**basteranno i sogni ebook by emily dickinson rakuten kobo** - Jul 04 2023

web leggi basteranno i sogni di emily dickinson disponibile su rakuten kobo per fare un prato ci vuole del trifoglio e un ape un trifoglio e un ape e sogni ad occhi aperti e se saran poch

basteranno i sogni italian edition kindle edition amazon com - Jun 22 2022

web jun 9 2015 amazon com basteranno i sogni italian edition ebook dickinson emily lanati barbara books

**basteranno i sogni** - May 22 2022

web 2 basteranno i sogni 2022 01 03 basteranno i sogni downloaded from mail lafamigliawv com by guest tyler livia bambini

sogni furori sbc edizioni ti stai preparando per il grande giorno il giorno che sogni da una vita il giorno in cui potrai indossare il tuo abito principesco per fare un favoloso ingresso davanti a tutti gli invitati

basteranno i sogni dickinson emily ebook ed feltrinelli - Oct 27 2022

web basteranno i sogni è un ebook di dickinson emily pubblicato da feltrinelli il file è nel formato epub2 libracciò it

basteranno i sogni - Nov 27 2022

web basteranno i sogni un piccolo sogno the complete poems sposa un abito da sogno un sogno oltre il mare strada maestra sogni lucidi il sogno infinito il sogno dei filosofi il sogno della camera rossa il cacciatore di incubi dream il sogno delle fate

basteranno i sogni downloaded from old syndeohro com by guest logan middleton ricerche di

*nimm dir zeit für die dinge die dich glücklich machen spruch* - Nov 10 2022

web amazon de fashion kostenlose lieferung und rückgabe nimm dir zeit für die dinge die dich glücklich machen spruch

pullover hoodie jetzt bestellen

nimm dir zeit für die dinge die dich glücklich machen von - Sep 08 2022

web genießen sie ihre zeit verbringen sie diese mit freude liste erstellen an etwas schönes denken lächeln glücklich sein

seine zeit genießen so viel wie

**zeit die du dir nimmst ist zeit die dir etwas gibt bewusst glücklich** - Oct 09 2022

web zeit die du dir nimmst oder die frage wo die zeit geblieben ist nimm dir zeit oder lass es bleiben beschwer dich aber

danach nicht unterscheide die wichtigen dingen von den unverzichtbaren zeit die du dir nimmst ist zeit die dir etwas gibt am

ende zählt nur ob es dich glücklich macht

**nimm dir zeit für die dinge die dich glücklich machen faltkarte** - Jan 12 2023

web text nimm dir zeit für die dinge die dich glücklich machen einlegeblatt mit bibelvers psalm 34 9 schmeckt und seht wie

freundlich der herr ist wohl dem der auf ihn traut format 11 5 x 17 cm goldveredelung fein strukturierter kartongeschmückt

mit kork applikationstransparente banderoleweißer umschlag

*nimm dir zeit für die dinge die dich glücklich machen by grafik* - Apr 03 2022

web eine weiße farbe bunte details und die aufschrift nimm dir zeit für dinge die dich glücklich machen nimm dir zeit für

eine kleine geschichte unter dem die kleine meise saß und sich vor dem regen schützen wollte und wieder platsch immer

mehr dicke tropfen fielen vom himmel und bald leerte die große gott gebe mir

**nimm dir zeit für die dinge die dich glücklich ma** - Feb 01 2022

web nimm dir zeit für die dinge die dich glücklich ma 3 3 material key features of this second edition include user friendly

layout with updated 2 colour design engaging illustrations and visually appealing tables throughout to aid the learning

process clear and accessible explanations with memorable examples informed by the latest research on

**nimm dir zeit fur die dinge die dich gluecklich machen kopen** - Dec 11 2022

web bekijk onze boeken selectie en zie direct bij welke webshop je nimm dir zeit fur die dinge die dich gluecklich machen online kan kopen ga je voor een ebook of paperback van nimm dir zeit fur die dinge die dich gluecklich machen zoek ook naar accessoires voor nimm dir zeit fur die dinge die dich gluecklich machen zo ben je er helemaal klaar voor

**nimm dir zeit für die dinge die dich glücklich machen grafik** - May 04 2022

web artikel nr 60570 nimm dir zeit für die dinge die dich glücklich machen chf 3 90 chf 2 10 sparen sie chf 1 80 bruttopreis in den warenkorb grössere mengen auf anfrage beschreibung artikeldetails vintageart notizhefte unsere liebevoll gestalteten notizheftchen bieten platz für eigene gedanken kreative ideen format 11 x 15 5 cm

nimm dir zeit für die dinge die dich styleyourlife de facebook - Mar 02 2022

web 76 views 8 likes 0 loves 0 comments 1 shares facebook watch videos from styleyourlife de nimm dir zeit für die dinge die dich glücklich machen □kommt vorbei und entdeckt tolle klamotten und

*nimm dir zeit glücklich zu sein etsy de* - Mar 14 2023

web jutetasche geschenktasche nimm dir zeit für dinge die dich glücklich machen 88 ab 15 50 steinbild angler papa geschenk nimm dir zeit um glücklich zu sein 1 5 tsd ab 23 40 ab 26 00 10 rabatt kissen nimm dir zeit schwarz 806 29 95 holzschild spruch 20x30 cm nimm dir zeit glücklich zu sein deko schild wooden sign 39 19 90

**postkarte spruch nimm dir die zeit für die dinge die dich** - May 16 2023

web gutsch verlag nimm dir die zeit für die dinge die dich glücklich machen kartentyp postkarte format hochformat abmessungen 11 5cm x 16 2cm veredlung folienprägung glitzerlack hersteller gutsch weitere karten der kollektion siehe alle karten der kollektion papelino von gutsch diese karten könnten dir gefallen gratis grußkarten

**nimm dir zeit fur die dinge die dich gluecklich ma download** - Aug 07 2022

web nimm dir zeit fur die dinge die dich gluecklich ma 3 3 charakter und viele andere dinge des lebens die hohe schule des erfolgs findhorn press erleben sie die ereignisse von angelbound aus der perspektive von prinz lincoln in diesem exklusiven zwei bucher bundle duty bound als kronprinz der daemonenbekaempfenden thrax weiss lincoln

*nimm dir zeit für die dinge die dich glücklich machen* - Aug 19 2023

web nimm dir zeit für die dinge die dich glücklich machen eintigartig aufstellbuch grafik werkstatt das original isbn 9783862294541 kostenloser versand für alle bücher mit versand und verkauf duch amazon

nimm dir zeit für die dinge die dich glücklich machen - Jul 18 2023

web nimm dir zeit für die dinge die dich glücklich machen eintigartig aufstellbuch becker reinhard amazon com tr kitap

*nimm dir zeit für die dinge die dich glücklich machen bücher de* - Jun 17 2023

web pure lebensfreude zum verschenken dieses spiralebuch lädt zum festival der farben zum seele baumeln lassen und

glücklich sein ein das ideale präsent für einen lieblingsmenschen tischaufsteller im angesagten watercolor design goldveredelung auf dem cover 52 seiten mit beschwingten botschaften hardcover spiralbindung

[nimm dir zeit zum glücklichsein spruechetante de](#) - Feb 13 2023

web nimm dir zeit zum glücklichsein es ist die quelle der kraft nimm dir zeit zum spielen es ist das geheimnis der jugend

nimm dir zeit zum lesen es ist der ursprung der weisheit achim von arnim

[nimm dir zeit nimm dir zeit für dich der sinn des lebens sei](#) - Jul 06 2022

web verschwende nicht weiter deine wertvolle zeit und komme heraus aus deinem tritt mach das was dir gefällt und verschwende keinen gedanken daran etwas anderes zutun mache dein leben zum besten und nimm dir zeit für das schöne was dich glücklich macht genieße das leben und sei glücklich

*nimm dir zeit für die dinge die dich glücklich machen by grafik* - Jun 05 2022

web sep 15 2023 60566 wandschild vintage art nimm dir zeit für die wichtigen dinge im leben matthias jackel gute laune tasse nimm dir zeit für die dinge die dich bitavin s bastel blog nimm dir zeit für dinge die dich kulthänger blechschild nimm dir zeit für dinge die dich verzeih dir selbst für die zeiten in denen du deinen

**nimm dir zeit um glücklich etsy de** - Apr 15 2023

web nimm dir zeit zum glücklichen karte glückwunschkarte mit golddruck sprüche und wünsche 2 4 tsd 1 99 jutetasche geschenktasche nimm dir zeit für dinge die dich glücklich machen 83 18 00 tischlampe lampe mit spruch nimm dir zeit um glücklich zu sein spruch deko wohndeko geschenk wohnaccessoires

**nimm dir zeit für die dinge die dich glücklich machen** - Sep 20 2023

web man lebt ruhiger wenn man nicht alles sagt was man weiß nicht alles glaubt was man hört und über den rest einfach nur lächelt wir denken selten an das was wir haben aber immer an das was uns fehlt nimm dir zeit für die dinge die dich glücklich machen spruch des tages

[pwm circuit design for hho circuit diagram](#) - Feb 27 2022

web apr 20 2018 volume of hho with respect to time for 10khz pwm 50 duty cycle scientific diagram a 1ns resolution load adaptive digital gate driver ic with integrated 500ksps adc for drive pattern selection and functional saf the zero fossil fuel constant cur pwm v2 1 motor sd control board dc 10 50v 60a high power controller pwm hho

[hho pwm circuit diagram wiring diagram](#) - Feb 10 2023

web mar 16 2023 hho pwm circuit diagram is one of the most commonly used tools for controlling electrical energy generated by a hydrogen fuel cell the device enables users to regulate the amount of electrical energy produced by a hydrogen fuel cell which is then converted into usable electricity

*volume of hho with respect to time for 1khz pwm of 75 duty* - Jul 15 2023

web download scientific diagram volume of hho with respect to time for 1khz pwm of 75 duty cycle from publication a comprehensive construction of hydrogen hydrogen oxygen hho cell as renewable

*hho pwm circuit diagram pdf wiring diagram* - Aug 04 2022

web jan 13 2023 an hho pwm circuit diagram pdf provides an easy way to control the current output of a device by pulsing a signal at a given frequency this is an essential component in power delivery systems as it allows for precise control over the voltage and current levels that flow through the circuit

hho pwm circuit diagram wiring technology - Nov 07 2022

web jul 25 2022 in this article we will discuss the basics of hho pwm circuit diagram and how it can be used to control energy consumption hho pwm stands for hydrogen cell pulse width modulation and it is a type of circuit diagram used to regulate the amount of energy consumed by a device

*how to connect pwm controller for hho kits youtube* - Jul 03 2022

web how to pwm controller and it s wiring for hho kits divekarappliances com hho kits

**efie and pwm wiring diagram for hho systems youtube** - Jan 09 2023

web efie and pwm wiring diagram for hho systems almosthydrogen 11 6k subscribers 656k views 14 years ago if your a newbie like me and dont really know what goes where when it comes to wiring

hho 30 amp pwm circuit diagram wiring diagram - Jun 02 2022

web mar 13 2023 the hho 30 amp pwm pulse width modulation circuit diagram is a comprehensive document that features a detailed overview of each component in the circuit it includes the power source switches transistors capacitors diodes and

**23 hho 30 amp pwm circuit diagram efie youtube** - Apr 12 2023

web 23 hho 30 amp pwm circuit diagram efie delvis11 56 8k subscribers 416k views 14 years ago for more information visit us at greenfuelh2o com

*hho pwm circuit diagram wiring diagram* - Jun 14 2023

web jun 8 2022 in this article we ll take a look at what hho pwm circuit diagrams are and how they can help you when designing your next project hho pwm stands for hydrogen hydroxide pulse width modulation as its name suggests this type of circuit uses hydrogen hydroxide as its primary power source

**hho 30 amp pwm circuit diagram wiring draw and schematic** - Mar 11 2023

web oct 27 2022 this diagram provides a way to monitor and control the power output of a hydrogen fuel cell or other renewable energy sources with a pulse width modulation pwm signal the pwm signal is used to control the frequency and duration of electrical output from the source

*pwm current controller for hho generators purpose and functions* - Aug 16 2023

web the purpose of a pwm controller is to limit restrict the amps flowing into the hho generator there are two parameters to consider the intended current necessary to operate the generator consult the amps chart the amperage load the pwm is designed to handle

[hho pwm circuit diagram pdf wiring draw and schematic](#) - Dec 08 2022

web oct 26 2022 this article will cover the basics of the pwm circuit diagram and discuss how it can be used to improve your electronics projects the pwm pulse width modulation circuit diagram is a way of showing the electronic components in a circuit and how they are connected together

[hho pwm circuit diagram wiring secure](#) - Mar 31 2022

web feb 13 2023 hho pwm circuit diagrams are a type of diagram used to represent electrical wiring for a variety of purposes it is commonly used to show connections between different components within a standard circuit

[\*hho digital pwm controller hho pwm 55a lcd power solutions\*](#) - Oct 06 2022

web with its advanced technology this controller will automatically adjust the digital pulse width to maintain a constant current on any hho cell or anodizer that draws less than 55 amps preventing thermal runaway scenarios and ensuring optimal constant performance

[hho electrical circuits pwm for hydrogen generator kit hho](#) - Sep 05 2022

web jun 8 2021 hi all first of all i want to thank my supporters for helping me get here thank you very much don t forget to like comment and subscribe don t forget those

[\*hho pwm circuit diagram wiring draw and schematic\*](#) - May 13 2023

web jan 4 2022 a hho pwm circuit diagram is basically an electronic representation of an ac circuit it consists of various components such as resistors capacitors and diodes the diagram also contains switches relays and other switches that allow certain parts of the circuit to be shut off or enabled

**hho pwm circuit diagram wiring boards** - May 01 2022

web oct 29 2022 hho pwm circuit diagram is a special type of diagram that uses pulse width modulation pwm to regulate the current and voltage in a circuit pwm is a technology that allows a microcontroller to send out digital signals at a specific rate

**40 amp pwm power controller for hho kits hhokitsdirect com** - Dec 28 2021

web if you have one of our kits you can use these with the digital amp gauge we include so you can monitor precise current control of your hho generator this is a completely assembled 40 amp pwm with 6 power mosfets inside to divide up the power to keep it from overheating so a fan is not needed

**hho pwm install and controller video 3 youtube** - Jan 29 2022

web hho pwm install and controller video 3 mounted hho cell and getting ready for a 400 mile test sat first test 100 miles just the map inhancer next 100 miles map inhancer and the 70 lpm of hho

## Embracing the Melody of Phrase: An Psychological Symphony within **Sony Vaio Laptop User Guide**

In some sort of taken by displays and the ceaseless chatter of fast conversation, the melodic splendor and mental symphony developed by the published word often fade into the back ground, eclipsed by the constant noise and distractions that permeate our lives. However, situated within the pages of **Sony Vaio Laptop User Guide** an enchanting fictional treasure overflowing with natural emotions, lies an immersive symphony waiting to be embraced. Constructed by an outstanding composer of language, that charming masterpiece conducts visitors on an emotional trip, skillfully unraveling the concealed tunes and profound impact resonating within each cautiously crafted phrase. Within the depths of the touching assessment, we can investigate the book is central harmonies, analyze their enthralling publishing model, and surrender ourselves to the profound resonance that echoes in the depths of readers souls.

[https://offsite.creighton.edu/files/virtual-library/Documents/old\\_fashioned\\_christmas\\_coloring\\_pages.pdf](https://offsite.creighton.edu/files/virtual-library/Documents/old_fashioned_christmas_coloring_pages.pdf)

[https://offsite.creighton.edu/files/virtual-library/Documents/osmosis\\_in\\_cells\\_worksheet\\_answers.pdf](https://offsite.creighton.edu/files/virtual-library/Documents/osmosis_in_cells_worksheet_answers.pdf)

[https://offsite.creighton.edu/files/virtual-library/Documents/older\\_kung\\_fu\\_movies.pdf](https://offsite.creighton.edu/files/virtual-library/Documents/older_kung_fu_movies.pdf)

### **Table of Contents Sony Vaio Laptop User Guide**

1. Understanding the eBook Sony Vaio Laptop User Guide
  - The Rise of Digital Reading Sony Vaio Laptop User Guide
  - Advantages of eBooks Over Traditional Books
2. Identifying Sony Vaio Laptop User Guide
  - Exploring Different Genres
  - Considering Fiction vs. Non-Fiction
  - Determining Your Reading Goals



3. Choosing the Right eBook Platform
  - Popular eBook Platforms
  - Features to Look for in an Sony Vaio Laptop User Guide
  - User-Friendly Interface
4. Exploring eBook Recommendations from Sony Vaio Laptop User Guide
  - Personalized Recommendations
  - Sony Vaio Laptop User Guide User Reviews and Ratings
  - Sony Vaio Laptop User Guide and Bestseller Lists
5. Accessing Sony Vaio Laptop User Guide Free and Paid eBooks
  - Sony Vaio Laptop User Guide Public Domain eBooks
  - Sony Vaio Laptop User Guide eBook Subscription Services
  - Sony Vaio Laptop User Guide Budget-Friendly Options
6. Navigating Sony Vaio Laptop User Guide eBook Formats
  - ePub, PDF, MOBI, and More
  - Sony Vaio Laptop User Guide Compatibility with Devices
  - Sony Vaio Laptop User Guide Enhanced eBook Features
7. Enhancing Your Reading Experience
  - Adjustable Fonts and Text Sizes of Sony Vaio Laptop User Guide
  - Highlighting and Note-Taking Sony Vaio Laptop User Guide
  - Interactive Elements Sony Vaio Laptop User Guide
8. Staying Engaged with Sony Vaio Laptop User Guide
  - Joining Online Reading Communities
  - Participating in Virtual Book Clubs
  - Following Authors and Publishers Sony Vaio Laptop User Guide
9. Balancing eBooks and Physical Books Sony Vaio Laptop User Guide
  - Benefits of a Digital Library
  - Creating a Diverse Reading Collection Sony Vaio Laptop User Guide
10. Overcoming Reading Challenges
  - Dealing with Digital Eye Strain
  - Minimizing Distractions

- Managing Screen Time
- 11. Cultivating a Reading Routine Sony Vaio Laptop User Guide
  - Setting Reading Goals Sony Vaio Laptop User Guide
  - Carving Out Dedicated Reading Time
- 12. Sourcing Reliable Information of Sony Vaio Laptop User Guide
  - Fact-Checking eBook Content of Sony Vaio Laptop User Guide
  - Distinguishing Credible Sources
- 13. Promoting Lifelong Learning
  - Utilizing eBooks for Skill Development
  - Exploring Educational eBooks
- 14. Embracing eBook Trends
  - Integration of Multimedia Elements
  - Interactive and Gamified eBooks

### **Sony Vaio Laptop User Guide Introduction**

In the digital age, access to information has become easier than ever before. The ability to download Sony Vaio Laptop User Guide has revolutionized the way we consume written content. Whether you are a student looking for course material, an avid reader searching for your next favorite book, or a professional seeking research papers, the option to download Sony Vaio Laptop User Guide has opened up a world of possibilities. Downloading Sony Vaio Laptop User Guide provides numerous advantages over physical copies of books and documents. Firstly, it is incredibly convenient. Gone are the days of carrying around heavy textbooks or bulky folders filled with papers. With the click of a button, you can gain immediate access to valuable resources on any device. This convenience allows for efficient studying, researching, and reading on the go. Moreover, the cost-effective nature of downloading Sony Vaio Laptop User Guide has democratized knowledge. Traditional books and academic journals can be expensive, making it difficult for individuals with limited financial resources to access information. By offering free PDF downloads, publishers and authors are enabling a wider audience to benefit from their work. This inclusivity promotes equal opportunities for learning and personal growth. There are numerous websites and platforms where individuals can download Sony Vaio Laptop User Guide. These websites range from academic databases offering research papers and journals to online libraries with an expansive collection of books from various genres. Many authors and publishers also upload their work to specific websites, granting readers access to their content without any charge. These platforms not only provide access to existing literature but also serve as an excellent platform for

undiscovered authors to share their work with the world. However, it is essential to be cautious while downloading Sony Vaio Laptop User Guide. Some websites may offer pirated or illegally obtained copies of copyrighted material. Engaging in such activities not only violates copyright laws but also undermines the efforts of authors, publishers, and researchers. To ensure ethical downloading, it is advisable to utilize reputable websites that prioritize the legal distribution of content. When downloading Sony Vaio Laptop User Guide, users should also consider the potential security risks associated with online platforms. Malicious actors may exploit vulnerabilities in unprotected websites to distribute malware or steal personal information. To protect themselves, individuals should ensure their devices have reliable antivirus software installed and validate the legitimacy of the websites they are downloading from. In conclusion, the ability to download Sony Vaio Laptop User Guide has transformed the way we access information. With the convenience, cost-effectiveness, and accessibility it offers, free PDF downloads have become a popular choice for students, researchers, and book lovers worldwide. However, it is crucial to engage in ethical downloading practices and prioritize personal security when utilizing online platforms. By doing so, individuals can make the most of the vast array of free PDF resources available and embark on a journey of continuous learning and intellectual growth.

### **FAQs About Sony Vaio Laptop User Guide Books**

1. Where can I buy Sony Vaio Laptop User Guide books? Bookstores: Physical bookstores like Barnes & Noble, Waterstones, and independent local stores. Online Retailers: Amazon, Book Depository, and various online bookstores offer a wide range of books in physical and digital formats.
2. What are the different book formats available? Hardcover: Sturdy and durable, usually more expensive. Paperback: Cheaper, lighter, and more portable than hardcovers. E-books: Digital books available for e-readers like Kindle or software like Apple Books, Kindle, and Google Play Books.
3. How do I choose a Sony Vaio Laptop User Guide book to read? Genres: Consider the genre you enjoy (fiction, non-fiction, mystery, sci-fi, etc.). Recommendations: Ask friends, join book clubs, or explore online reviews and recommendations. Author: If you like a particular author, you might enjoy more of their work.
4. How do I take care of Sony Vaio Laptop User Guide books? Storage: Keep them away from direct sunlight and in a dry environment. Handling: Avoid folding pages, use bookmarks, and handle them with clean hands. Cleaning: Gently dust the covers and pages occasionally.
5. Can I borrow books without buying them? Public Libraries: Local libraries offer a wide range of books for borrowing.

- Book Swaps: Community book exchanges or online platforms where people exchange books.
6. How can I track my reading progress or manage my book collection? Book Tracking Apps: Goodreads, LibraryThing, and Book Catalogue are popular apps for tracking your reading progress and managing book collections. Spreadsheets: You can create your own spreadsheet to track books read, ratings, and other details.
  7. What are Sony Vaio Laptop User Guide audiobooks, and where can I find them? Audiobooks: Audio recordings of books, perfect for listening while commuting or multitasking. Platforms: Audible, LibriVox, and Google Play Books offer a wide selection of audiobooks.
  8. How do I support authors or the book industry? Buy Books: Purchase books from authors or independent bookstores. Reviews: Leave reviews on platforms like Goodreads or Amazon. Promotion: Share your favorite books on social media or recommend them to friends.
  9. Are there book clubs or reading communities I can join? Local Clubs: Check for local book clubs in libraries or community centers. Online Communities: Platforms like Goodreads have virtual book clubs and discussion groups.
  10. Can I read Sony Vaio Laptop User Guide books for free? Public Domain Books: Many classic books are available for free as they're in the public domain. Free E-books: Some websites offer free e-books legally, like Project Gutenberg or Open Library.

### **Find Sony Vaio Laptop User Guide :**

[old-fashioned christmas coloring pages](#)

[\*\*osmosis in cells worksheet answers\*\*](#)

[older kung fu movies](#)

[on the eighth day of christmas](#)

[\*\*osha 10 hour construction industry outreach answers\*\*](#)

[oxford picture dictionary english chinese pdf](#)

[order of ender's game series](#)

[outsider test for faith](#)

[orthodox christian publishers](#)

[\*\*pageants for beginners\*\*](#)

[p&g practice assessment](#)

[old folk song lyrics](#)

ordinary grace movie

ordinary men audiobook

**original luke skywalker concept art**

**Sony Vaio Laptop User Guide :**