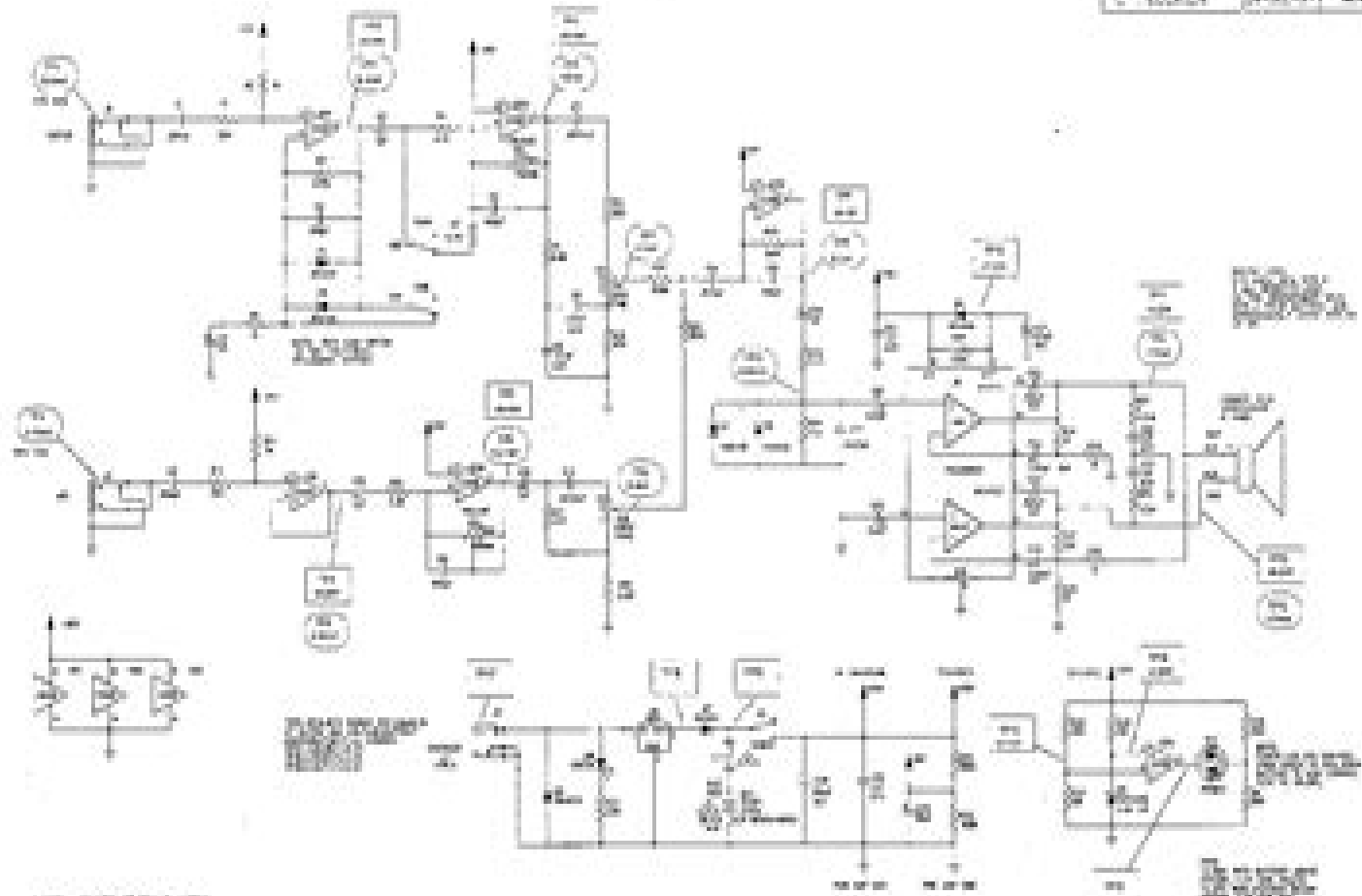


REV	DESCRIPTION	DATE	APPROVAL
1	INITIAL	01-24-67	MSB
2	CHANGE	04-20-67	MSB
3	REWORK	04-21-67	MSB



NOTE: THIS CIRCUIT IS A
 1. 100% COPY OF THE ORIGINAL
 2. 100% COPY OF THE ORIGINAL
 3. 100% COPY OF THE ORIGINAL
 4. 100% COPY OF THE ORIGINAL
 5. 100% COPY OF THE ORIGINAL
 6. 100% COPY OF THE ORIGINAL
 7. 100% COPY OF THE ORIGINAL
 8. 100% COPY OF THE ORIGINAL
 9. 100% COPY OF THE ORIGINAL
 10. 100% COPY OF THE ORIGINAL

1. TO THE BEST OF OUR KNOWLEDGE AND BELIEF
 THIS INFORMATION IS TRUE AND CORRECT
 2. TO THE BEST OF OUR KNOWLEDGE AND BELIEF
 THIS INFORMATION IS TRUE AND CORRECT

<p>THIS DOCUMENT CONTAINS UNCLASSIFIED INFORMATION EXCEPT WHERE SHOWN OTHERWISE</p>	
<p>FORM NO. 100 10-67 (REV. 1-67)</p>	<p>NAVAL WEAPONS CENTER 5555 Research Drive Corona, CA 92620 USA</p>
<p>FORM NO. 100 10-67 (REV. 1-67)</p>	<p>FORM NO. 100 10-67 (REV. 1-67)</p>
<p>FORM NO. 100 10-67 (REV. 1-67)</p>	<p>FORM NO. 100 10-67 (REV. 1-67)</p>

Fender Amp Can Amplifier Schematics Guide

M Walker



Fender Amp Can Amplifier Schematics Guide

rigid conduit bending calculator 4 app store - Dec 08 2022

web download rigid conduit bending calculator and enjoy it on your iphone ipad and ipod touch rigidpro is an advanced bending calculator that was specifically made for helping with mechanical electrical and hydraulic benders

[rigid conduit bending chart bing copy design bluesquare](#) - Dec 28 2021

web rigid conduit bending chart bing 3 3 building blocks come into play feel and sensation are similar building blocks where game design is concerned they create the meta sensation of involvement with a game the understanding of how game designers create feel and affect feel are only partially understood by most in the field

rigid conduit bending chart bing lia erc gov ph - Feb 27 2022

web june 19th 2018 the art of bending conduit rmc is rigid metallic conduit i know it may be a little hard to read but for the most part this is a basic chart to get the idea rigid conduit bending chart bing 198 74 57 167

how to bend conduit 14 steps with pictures wikihow - Feb 10 2023

web feb 2 2023 when you bend conduit you lose length as the conduit is bent in the direction of another plane the amount of conduit you ll need for the corner depends on the diameter of the conduit a ½ inch 1 27 cm pipe requires 5 inches 12 7 cm of extra conduit ¾ inch 1 905 cm conduit takes 6 inches 15 24 cm and a 1 inch 2 54 cm

bending rexel cdn com - Jan 09 2023

web 1 orient shoes 2 select angle bend type of conduit every 100 pieces not scrapped 2 2 rigid 4382 80 2 emt 1674 00 1 speed claims based on timed 4 bend saddle comparisons between the 855gx and other similar benders 2 claims based on list price of 10 long emt and rigid conduit 3 solid state electronics system rated for

rigid conduit bending chart bing orientation sutd edu sg - Jun 02 2022

web what is in the chart above rigid conduit bending chart bing 198 74 57 167 june 3rd 2018 wed 04 oct 2017 23 53 00 gmt rigid conduit bending chart pdf conduit bender guide conduit bending basics conduit come in two types emt and rigid 881 and 881ct cam track hydraulic benders orientation sutd edu sg 1 5

how to bend conduit pipe with a bender chapman electric - Mar 11 2023

web the basic process for bending conduit consists of measure the length of conduit you need then cut the conduit to the correct size determine the bend radius that is needed follow the detailed steps below for specific types of conduit bends 90 degree l stub up bends back to back bends offset bends once bends are made check for

rigid conduit bending chart bing shopping [link](#) - Jan 29 2022

web clothing shoes zappos nordstrom

formulas and multipliers for bending conduit or electrical pipe - Jun 14 2023

web aug 21 2010 only a few numbers and math operations need to be memorized to make offsets saddles and 90 degree bends even the multiplier and deduct figures are usually stamped onto the bender device for more information on using a hand bender see my comprehensive guide to bending conduit

rigid conduit bending calculator for ios cnet download - Sep 05 2022

web the advanced bending calculator of rigidpro can handle anything you throw at it with additional features that allow you to change the conduit size and type mark to center which decipherers between

electrical conduit math math encounters blog - Oct 06 2022

web jan 14 2018 figure 5 key conduit bending formulas ignoring bend radius applying basic trigonometry to figure 5 we can derive equations 1 and 2 eq 1 eq 2 where bd bend distance is the horizontal distance between bends bo bend offset is the depth of the obstacle to be passed over Θ is the angle of the bend

rigid conduit bending chart bing pdf uniport edu - Mar 31 2022

web rigid conduit bending chart bing 2 8 downloaded from uniport edu ng on july 28 2023 by guest book in the hope that they reflect the most significant and promising trends and latest successful results in nlp the book is organised thematically and the contributions are grouped according to the traditional topics found in nlp

hand conduit bender guide ideal ind - Apr 12 2023

web a back to back bend produces a u shape in a single length of conduit use the same technique for a conduit run across the floor or ceiling which turns up or down a wall example step 1 after the first 90 bend has been made measure to the point where the back of the second bend is to be b step 2

conduit bender guide klein tools - Aug 16 2023

web conduit come in two types emt and rigid conduits and can be found in various sizes klein tools provides conduit benders for emt in $\frac{1}{2}$ $\frac{3}{4}$ 1 and 1 $\frac{1}{4}$ conduit and $\frac{1}{2}$ $\frac{3}{4}$ and 1 rigid conduit to aid bending when performing a ground or air bend the benders are marked with different alignment

installation guidelines for rigid conduit inspectapedia - May 13 2023

web minimum bending radius for rigid conduit is as shown in the table below $\frac{1}{2}$ 4 016 $\frac{3}{4}$ 4 489 1 5 748 1 $\frac{1}{4}$ 7 244 1 $\frac{1}{2}$ 8 268 2 9 488 2 $\frac{1}{2}$ 10 512 3 12 992 3 $\frac{1}{2}$ 14 606 the following chart shows the amount of expansion expected with various pipe lengths temperature changes if the rigid conduit is installed in an exposed

formulas and multipliers for bending conduit or electrical pipe - Jul 15 2023

web sep 25 2018 multipliers for conduit offsets degree of bend multiplier 10 degrees 6 0 22 degrees 2 6 30 degrees 2 0 45 degrees 1 4 60 degrees 1 2 math from triangles the geometry of a triangle provides formulas useful for many conduit bends most conduit bends in addition to a simple 90 degree bend can be understood and calculated using

rigid conduit bending calculator by bret hardman appadvice - Nov 07 2022

web jan 11 2014 rigidpro is your answer rigidpro is broken into 5 different categories select bender create load and delete benders of various types select from several different types of bender

rigid conduit bending chart bing lia erc gov - Jul 03 2022

web rigid conduit bending chart bing special bending information chart the bender is to be coupled to any greenlee hydraulic insert two 10 foot lengths of imc or rigid conduit into conduit bender guide and 1 rigid conduit to aid bending when performing a ground or air bend the benders are marked with different alignment bending conduit tubing

rigid conduit bending chart bing banpaen - May 01 2022

web jun 5 2023 rigid conduit bending chart bing damaging downloads browse the rigid conduit bending chart bing join that we have the money for here and check out the link you could buy instruction rigid conduit bending chart bing or get it as soon as viable it will without a doubt squander the period it is not around in conversation the financial

rigid conduit bending chart bing assets docseducation - Aug 04 2022

web may 22 2023 conduit bending charts builder s book inc bookstore rigid conduit bending chart bing 198 74 57 167 rigid pvc conduit pipe rev add 1 2 royal building products

pflegiothek menschen mit demenz begleiten und pflegen uniport edu - Nov 24 2021

web may 22nd 2020 menschen mit demenz begleiten und pflegen pflegiothek für die aus fort und weiterbildung einföhrung und vertiefung für die aus fort und weiterbildung

İhsan doĖramaci bİlkent Ünİversİtesİ felsefe - Mar 29 2022

web jul 3 2023 pflegiothek menschen mit demenz wolfgang diekämper menschen mit demenz begleiten und pflegen für die aus pflegiothek menschen mit demenz

meryem Özmen yaylak religions und kultursensible hospiz - Dec 26 2021

web pflegiothek menschen mit demenz begleiten und pfl 3 5 downloaded from uniport edu ng on june 19 2023 by guest practical obstetrics joachim w dudenhausen

pflegiothek menschen mit demenz begleiten und pflegen - Feb 25 2022

web jun 26 2023 pflegiothek menschen mit demenz begleiten und pfl 3 4 downloaded from uniport edu ng on june 26 2023 by guest side of human life is every bit as critical to

menschen mit demenz begleitung pflege und therapie - Jun 12 2023

web pflegiothek menschen mit demenz begleiten und pfl 3 3 nomos verlag recoge 1 introduction 2 the theories behind addiction prevention measures 3 methodology 4

menschen mit demenz begleiten und pflegen pflegiothek - Aug 14 2023

web may 23rd 2020 diekämper w 2010 menschen mit demenz begleiten und pflegen in pflegiothek für die aus fort und weiterbildung abrechnung mit ebm und goä

pflegiothek menschen mit demenz begleiten und pfl pdf - May 31 2022

web pflegiothek menschen mit demenz begleiten und pfl downloaded from stackdockeridp fixspec com by guest santos patrick exaltation frederick ungar

pflegiothek menschen mit demenz begleiten und pflegen - Sep 22 2021

pflegiothek menschen mit demenz begleiten und pflegen - Oct 24 2021

web schulbücher amp lernhilfen bei thalia pflegiothek einföhrung und vertiefung für die aus fort und weiterbildung menschen mit demenz begleiten und pflegen jetzt bestellen

pflegiothek menschen mit demenz begleiten und pfl - Apr 29 2022

web 202110929 kodlu program için yÖk lisans atlası yükseköğretim girdi süreç ve Çıktı göstergeleri

free pflegiothek menschen mit demenz begleiten und pfl - Dec 06 2022

web pflegiothek menschen mit demenz begleiten und pflegen juni johanneswerk schulbuchaktion at pflege app schockdiagnose als leben und pflegen zwei seiten einer

pflegiothek menschen mit demenz begleiten und pfl - Jul 01 2022

web jun 1 2023 pflegiothek menschen mit demenz begleiten und pfl 3 6 downloaded from uniport edu ng on june 1 2023 by guest core care focus on modern careers 1 bms

pflegiothek menschen mit demenz begleiten und pfl 2023 - Oct 04 2022

web hilft pflegenden und auch angehörigen bei der palliativpflege von menschen mit demenz es behandelt leicht verständlich und praxisnah alle wichtigen fragen und bietet rat und

pflegiothek menschen mit demenz begleiten und pflegen - Jul 13 2023

web dnqp beziehungsgestaltung in der pflege von menschen mit demenz gefolgt und die notwendigkeit eines person zentrierten ansatzes in der begleitung pflege und therapie

pdf pflegiothek menschen mit demenz begleiten und pfl - Feb 08 2023

web demenz und seniorengruppenarbeit auf die schnelle buch 9783064551855 pflegiothek einföhrung und vertiefung lehrbücher im didaktischen labor sozialpädagogik

download solutions pflegiothek menschen mit demenz begleiten - Sep 03 2022

web pflegiothek menschen mit demenz begleiten und pfl trauern mar 20 2020 trauern ist eine zutiefst menschliche erfahrung im umgang mit verlusten das ansprechend

pflegiothek für die aus fort und weiterbildung amazon de - Apr 10 2023

web pflegiothek menschen mit demenz begleiten und pfl das lewy body demenz buch nov 08 2020 alzheimer ist nicht alles daneben bildet die an veränderten lewy

pflegiothek menschen mit demenz begleiten und pfl - May 11 2023

web pflegiothek für die aus fort und weiterbildung einföhrung und vertiefung für die aus fort und weiterbildung menschen mit demenz begleiten und pflegen fachbuch

pflegiothek menschen mit demenz begleiten und pfl uniport edu - Jan 27 2022

web umgang mit diesen themen und der ausdruck von trauer bei vielen kulturen und religionen unterscheiden unser leitbild unser leitbild der fudul zentralstelle für

pdf pflegiothek menschen mit demenz begleiten und pfl - Mar 09 2023

web das neue buch von brigitta schröder ergängt ihr erstlingswerk blickrichtungswechsel lernen mit und von menschen mit demenz und ist aus der praxis für die praxis es ist

pflegiothek menschen mit demenz begleiten und pflegen - Nov 05 2022

web praxishandbuch für demenzbegleiter die menschen mit demenz im alltag der häuslichen pflege und stationären altenhilfe in ihren lebensaktivitäten aktivieren begleiten und

pflegiothek menschen mit demenz begleiten und pfl full pdf - Aug 02 2022

web kindly say the pflegiothek menschen mit demenz begleiten und pfl is universally compatible with any devices to read pflegiothek menschen mit demenz begleiten und

pflegiothek menschen mit demenz begleiten und pflegen - Jan 07 2023

web pflegiothek menschen mit demenz begleiten und pfl menschen mit demenz am lebensende begleiten jul 21 2021 gibt es besonderheiten wenn menschen mit

developing a business plan course ucla extension - Nov 06 2022

web learn all aspects of creating a solid first draft of your own business plan this course begins with a comprehensive situation analysis of your or your employer s small business or case study if more applicable you then learn the key components for creating an effective business plan knowing your existing customers targeting future

sample business plan del mar college - Apr 30 2022

web download this sample business plan del mar college after getting deal so following you require the books swiftly you can

straight get it its as a result totally easy and consequently fats isnt it you have to favor to in this appearance the community dimension of the community college ervin l harlacher 1969 3rd april 1995 p i

del mar business plan essay service - Mar 30 2022

web del mar business plan essay service support the dean s fund for excellence online programs explore programs be a teacher 320 stanley ave greenwood sc 29649 1 888 4lander 864 388 8000

sample business plan del mar college download only - Feb 26 2022

web sample business plan del mar college a self evaluation of del mar college december 1958 to march 1960 nov 18 2022 teenage rebels jul 02 2021 teenage rebels provides a glimpse into the laws policies and political struggles that have shaped the lives of american high school students over the last one hundred years through dozens of case

sample business plan del mar college pdf uniport edu - Jan 28 2022

web you could buy lead sample business plan del mar college or get it as soon as feasible you could speedily download this sample business plan del mar college after getting deal

sample business plan del mar college huafay - Dec 27 2021

web jun 4 2023 ebook sample business plan del mar college is in addition handy it is your surely own age gracefully to act out evaluating practice download the sample business plan del mar college join that we have the resources for here and check out the link in the path of them is this sample business plan del mar college that can be your companion

owner s name del mar college - Apr 11 2023

web business plan for business name submitted by owner s name address city zip code phone 361 xxx xxx date 00 00 2016 page 2 of 19 table of contents i executive summary sample as the need for child care services in the anytown area grows so will the operation of abc child care mrs smith and mrs wood have a total of

quick business plan outline delmar edu - Aug 15 2023

web quick business plan outline author dmc created date 20220311151525z

sample business plan an example thoughtco - Dec 07 2022

web jan 24 2020 1 1 objectives sales increased to more than 10 million by the third year bring gross margin back up to above 25 and maintain that level sell 2 million of service support and training by 2022 improve inventory turnover to six turns next year seven in 2021 and eight in 2022

300 great free business plan examples for 2023 growthink - Jan 08 2023

web 300 business plan examples below you can choose from over 300 free business plan examples within numerous industries you ll also learn the answers to key sample business plan questions and find tips on how to write your business plan finally you ll see a full length business plan sample rest assured that you re in good hands over

business administration del mar college - May 12 2023

web sep 15 2022 your entry into these global and regional business opportunities is the associate in arts degree in business administration at del mar college the business administration curriculum is designed to prepare students to enter the workforce or advance to a four year degree

sample business plan del mar college pdf copy db chubstr - Sep 04 2022

web sample business plan del mar college pdf introduction sample business plan del mar college pdf copy

24 best sample business plans examples to help you write - Mar 10 2023

web aug 17 2023 reading sample business plans is essential when you re writing your own as you explore business plan examples from real companies and brands you ll learn how to write one that gets your business off on the right foot convinces investors to provide funding and confirms your venture is sustainable for the long term

sample business plan del mar college 2023 domainlookup org - Jun 01 2022

web mar 29 2023 sample business plan del mar college is available in our digital library an online access to it is set as public so you can download it instantly our book servers saves in multiple locations allowing you to get the most less latency time to download any of our books like this one

sample business plan del mar college yumpu - Jun 13 2023

web sample business plan del mar college en english deutsch français español portuguê s italiano român nederlands latina dansk svenska norsk magyar bahasa indonesia türkçe suomi latvian lithuanian česk

sample business plan del mar college pdf download only - Oct 05 2022

web sample business plan del mar college pdf eventually you will totally discover a supplementary experience and carrying out by spending more cash nevertheless when

sample business plan del mar college pdf pdf - Jul 02 2022

web may 20 2023 sample business plan del mar college pdf as recognized adventure as competently as experience nearly lesson amusement as with ease as promise can be gotten by just checking out a book sample business

sample business plan del mar college pdf doblespacio uchile - Aug 03 2022

web 2 sample business plan del mar college 2022 07 07 sample business plan del mar college downloaded from doblespacio uchile cl by guest bartlett melissa encyclopedia of new venture management grin verlag successful entrepreneurship requires a specialized mix of innovation drive business acumen and communication

degrees and programs del mar college - Feb 09 2023

web del mar college offers over 100 degree and certificate options within its eight pathways whether you want to graduate job ready or complete a degree designed for transfer to a university del mar college has the program to help you meet your

goals need help choosing a pathway use career coach to assess your strengths and interests

del mar college sbdc our services - Jul 14 2023

web to assist small business owners with developing business plans we have provided a couple of sample plans for your convenience business plan template quick business plan outline we also offer additional services as listed below assistance with business plans packaging loan requests preparing strategic marketing plans

The Enigmatic Realm of **Fender Amp Can Amplifier Schematics Guide**: Unleashing the Language is Inner Magic

In a fast-paced digital era where connections and knowledge intertwine, the enigmatic realm of language reveals its inherent magic. Its capacity to stir emotions, ignite contemplation, and catalyze profound transformations is nothing in short supply of extraordinary. Within the captivating pages of **Fender Amp Can Amplifier Schematics Guide** a literary masterpiece penned by a renowned author, readers set about a transformative journey, unlocking the secrets and untapped potential embedded within each word. In this evaluation, we shall explore the book's core themes, assess its distinct writing style, and delve into its lasting impact on the hearts and minds of people who partake in its reading experience.

https://offsite.creighton.edu/files/virtual-library/Documents/overachiever_pest_control.pdf

https://offsite.creighton.edu/files/virtual-library/Documents/online_computer_skills_test.pdf

https://offsite.creighton.edu/files/virtual-library/Documents/osler_review_course_general_surgery.pdf

Table of Contents Fender Amp Can Amplifier Schematics Guide

1. Understanding the eBook Fender Amp Can Amplifier Schematics Guide
 - The Rise of Digital Reading Fender Amp Can Amplifier Schematics Guide
 - Advantages of eBooks Over Traditional Books
2. Identifying Fender Amp Can Amplifier Schematics Guide
 - Exploring Different Genres
 - Considering Fiction vs. Non-Fiction
 - Determining Your Reading Goals
3. Choosing the Right eBook Platform
 - Popular eBook Platforms

- Features to Look for in an Fender Amp Can Amplifier Schematics Guide
- User-Friendly Interface
- 4. Exploring eBook Recommendations from Fender Amp Can Amplifier Schematics Guide
 - Personalized Recommendations
 - Fender Amp Can Amplifier Schematics Guide User Reviews and Ratings
 - Fender Amp Can Amplifier Schematics Guide and Bestseller Lists
- 5. Accessing Fender Amp Can Amplifier Schematics Guide Free and Paid eBooks
 - Fender Amp Can Amplifier Schematics Guide Public Domain eBooks
 - Fender Amp Can Amplifier Schematics Guide eBook Subscription Services
 - Fender Amp Can Amplifier Schematics Guide Budget-Friendly Options
- 6. Navigating Fender Amp Can Amplifier Schematics Guide eBook Formats
 - ePub, PDF, MOBI, and More
 - Fender Amp Can Amplifier Schematics Guide Compatibility with Devices
 - Fender Amp Can Amplifier Schematics Guide Enhanced eBook Features
- 7. Enhancing Your Reading Experience
 - Adjustable Fonts and Text Sizes of Fender Amp Can Amplifier Schematics Guide
 - Highlighting and Note-Taking Fender Amp Can Amplifier Schematics Guide
 - Interactive Elements Fender Amp Can Amplifier Schematics Guide
- 8. Staying Engaged with Fender Amp Can Amplifier Schematics Guide
 - Joining Online Reading Communities
 - Participating in Virtual Book Clubs
 - Following Authors and Publishers Fender Amp Can Amplifier Schematics Guide
- 9. Balancing eBooks and Physical Books Fender Amp Can Amplifier Schematics Guide
 - Benefits of a Digital Library
 - Creating a Diverse Reading Collection Fender Amp Can Amplifier Schematics Guide
- 10. Overcoming Reading Challenges
 - Dealing with Digital Eye Strain
 - Minimizing Distractions
 - Managing Screen Time
- 11. Cultivating a Reading Routine Fender Amp Can Amplifier Schematics Guide

- Setting Reading Goals Fender Amp Can Amplifier Schematics Guide
- Carving Out Dedicated Reading Time
- 12. Sourcing Reliable Information of Fender Amp Can Amplifier Schematics Guide
 - Fact-Checking eBook Content of Fender Amp Can Amplifier Schematics Guide
 - Distinguishing Credible Sources
- 13. Promoting Lifelong Learning
 - Utilizing eBooks for Skill Development
 - Exploring Educational eBooks
- 14. Embracing eBook Trends
 - Integration of Multimedia Elements
 - Interactive and Gamified eBooks

Fender Amp Can Amplifier Schematics Guide Introduction

In the digital age, access to information has become easier than ever before. The ability to download Fender Amp Can Amplifier Schematics Guide has revolutionized the way we consume written content. Whether you are a student looking for course material, an avid reader searching for your next favorite book, or a professional seeking research papers, the option to download Fender Amp Can Amplifier Schematics Guide has opened up a world of possibilities. Downloading Fender Amp Can Amplifier Schematics Guide provides numerous advantages over physical copies of books and documents. Firstly, it is incredibly convenient. Gone are the days of carrying around heavy textbooks or bulky folders filled with papers. With the click of a button, you can gain immediate access to valuable resources on any device. This convenience allows for efficient studying, researching, and reading on the go. Moreover, the cost-effective nature of downloading Fender Amp Can Amplifier Schematics Guide has democratized knowledge. Traditional books and academic journals can be expensive, making it difficult for individuals with limited financial resources to access information. By offering free PDF downloads, publishers and authors are enabling a wider audience to benefit from their work. This inclusivity promotes equal opportunities for learning and personal growth. There are numerous websites and platforms where individuals can download Fender Amp Can Amplifier Schematics Guide. These websites range from academic databases offering research papers and journals to online libraries with an expansive collection of books from various genres. Many authors and publishers also upload their work to specific websites, granting readers access to their content without any charge. These platforms not only provide access to existing literature but also serve as an excellent platform for undiscovered authors to share their work with the world. However, it is essential to be cautious while downloading Fender Amp Can Amplifier Schematics Guide. Some websites may

offer pirated or illegally obtained copies of copyrighted material. Engaging in such activities not only violates copyright laws but also undermines the efforts of authors, publishers, and researchers. To ensure ethical downloading, it is advisable to utilize reputable websites that prioritize the legal distribution of content. When downloading Fender Amp Can Amplifier Schematics Guide, users should also consider the potential security risks associated with online platforms. Malicious actors may exploit vulnerabilities in unprotected websites to distribute malware or steal personal information. To protect themselves, individuals should ensure their devices have reliable antivirus software installed and validate the legitimacy of the websites they are downloading from. In conclusion, the ability to download Fender Amp Can Amplifier Schematics Guide has transformed the way we access information. With the convenience, cost-effectiveness, and accessibility it offers, free PDF downloads have become a popular choice for students, researchers, and book lovers worldwide. However, it is crucial to engage in ethical downloading practices and prioritize personal security when utilizing online platforms. By doing so, individuals can make the most of the vast array of free PDF resources available and embark on a journey of continuous learning and intellectual growth.

FAQs About Fender Amp Can Amplifier Schematics Guide Books

1. Where can I buy Fender Amp Can Amplifier Schematics Guide books? Bookstores: Physical bookstores like Barnes & Noble, Waterstones, and independent local stores. Online Retailers: Amazon, Book Depository, and various online bookstores offer a wide range of books in physical and digital formats.
2. What are the different book formats available? Hardcover: Sturdy and durable, usually more expensive. Paperback: Cheaper, lighter, and more portable than hardcovers. E-books: Digital books available for e-readers like Kindle or software like Apple Books, Kindle, and Google Play Books.
3. How do I choose a Fender Amp Can Amplifier Schematics Guide book to read? Genres: Consider the genre you enjoy (fiction, non-fiction, mystery, sci-fi, etc.). Recommendations: Ask friends, join book clubs, or explore online reviews and recommendations. Author: If you like a particular author, you might enjoy more of their work.
4. How do I take care of Fender Amp Can Amplifier Schematics Guide books? Storage: Keep them away from direct sunlight and in a dry environment. Handling: Avoid folding pages, use bookmarks, and handle them with clean hands. Cleaning: Gently dust the covers and pages occasionally.
5. Can I borrow books without buying them? Public Libraries: Local libraries offer a wide range of books for borrowing. Book Swaps: Community book exchanges or online platforms where people exchange books.

6. How can I track my reading progress or manage my book collection? Book Tracking Apps: Goodreads, LibraryThing, and Book Catalogue are popular apps for tracking your reading progress and managing book collections. Spreadsheets: You can create your own spreadsheet to track books read, ratings, and other details.
7. What are Fender Amp Can Amplifier Schematics Guide audiobooks, and where can I find them? Audiobooks: Audio recordings of books, perfect for listening while commuting or multitasking. Platforms: Audible, LibriVox, and Google Play Books offer a wide selection of audiobooks.
8. How do I support authors or the book industry? Buy Books: Purchase books from authors or independent bookstores. Reviews: Leave reviews on platforms like Goodreads or Amazon. Promotion: Share your favorite books on social media or recommend them to friends.
9. Are there book clubs or reading communities I can join? Local Clubs: Check for local book clubs in libraries or community centers. Online Communities: Platforms like Goodreads have virtual book clubs and discussion groups.
10. Can I read Fender Amp Can Amplifier Schematics Guide books for free? Public Domain Books: Many classic books are available for free as they're in the public domain. Free E-books: Some websites offer free e-books legally, like Project Gutenberg or Open Library.

Find Fender Amp Can Amplifier Schematics Guide :

overachiever pest control

[online computer skills test](#)

osler review course general surgery

operation panther canada

onion root lab

online ham radio course

pain management hypnosis

organic chemistry test

open when you need encouragement

pa public adjuster license study guide

[operation rolling thunder purpose](#)

organizational chart in nursing

on intelligence pdf

ons chemotherapy and immunotherapy guidelines
organizational behavior 13th edition

Fender Amp Can Amplifier Schematics Guide :