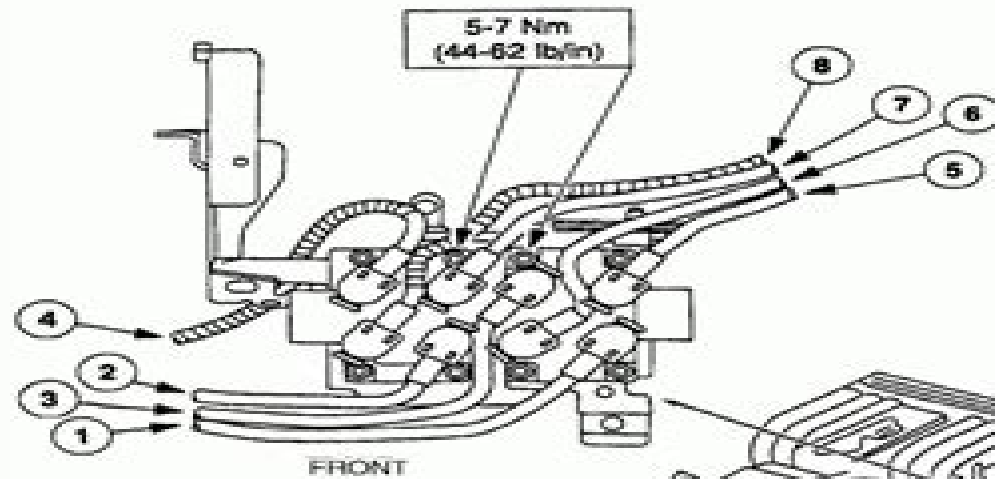


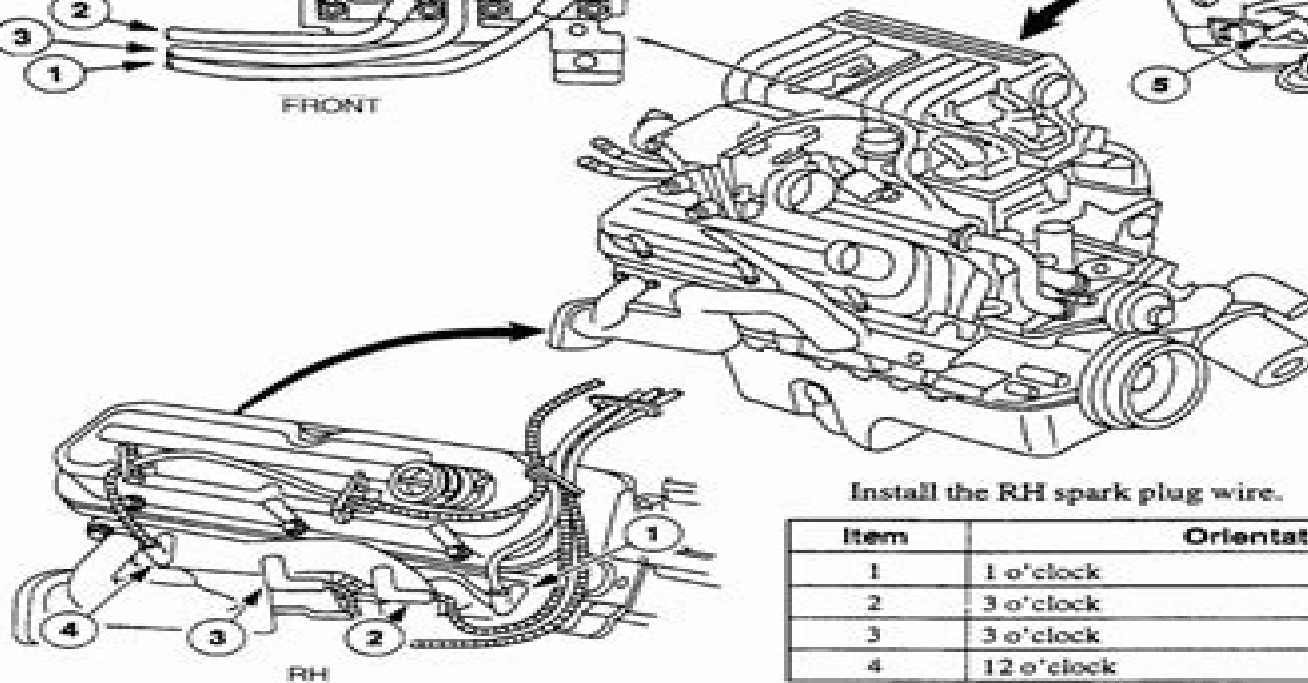
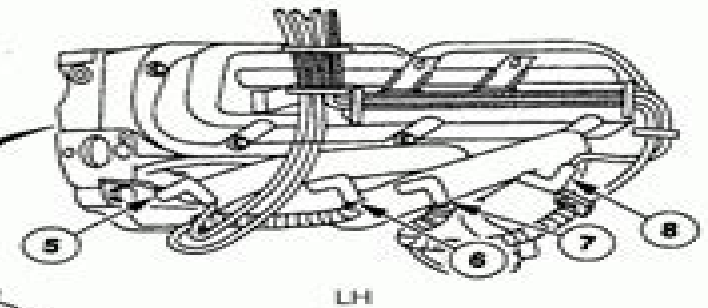
CAUTION: Be sure to orient the spark plug boots so the spark plug wires do not contact the exhaust manifold shields or steering gear intermediate shaft. Wire contact can send voltage spikes to other electronic modules.

NOTE: Apply Silicone Brake Caliper Grease and Dielectric Compound D7AZ-19A331-A or equivalent meeting Ford specification ESE-M1C171-A to the inside of spark plug wire boots.



Install the LH spark plug wire.

Item	Orientation
5	12 o'clock
6	8 o'clock
7	4 o'clock
8	1 o'clock



Install the RH spark plug wire.

Item	Orientation
1	1 o'clock
2	3 o'clock
3	3 o'clock
4	12 o'clock

1996 Ford Explorer Engine Manual

Inc Intellichoice



1996 Ford Explorer Engine Manual

Ford Ranger & Mazda B-series Pick-ups Automotive Repair Manual Eric Jorgensen, Alan Ahlstrand, John Harold Haynes, 2010 Haynes manuals are written specifically for the do it yourself yet are complete enough to be used by professional mechanics Since 1960 Haynes has produced manuals written from hands on experience based on a vehicle teardown with hundreds of photos and illustrations making Haynes the world leader in automotive repair information

Ford Ranger Pick-ups Eric Jorgensen, Alan Ahlstrand, John Harold Haynes, 2008 Haynes offers the best coverage for cars trucks vans SUVs and motorcycles on the market today Each manual contains easy to follow step by step instructions linked to hundreds of photographs and illustrations Included in every manual troubleshooting section to help identify specific problems tips that give valuable short cuts to make the job easier and eliminate the need for special tools notes cautions and warnings for the home mechanic color spark plug diagnosis and an easy to use index *Porsche 911 (Type 996) Service Manual 1999, 2000, 2001, 2002, 2003, 2004 2005* Bentley Publishers, 2012 The full color Porsche 911 Carrera Type 996 Service Manual 1999 2005 is a comprehensive source of service information and specifications for Porsche 911 Type 996 Coupe Targa and Convertible models from 1999 to 2005 The aim throughout this manual has been simplicity and clarity with practical explanations step by step procedures and useful specifications Whether you re a professional or a do it yourself Porsche owner this manual will help you understand care for and repair your Porsche Engines covered 1999 2001 3 4 liter M96 01 M96 02 M96 04 2002 2005 3 6 liter M96 03 Transmissions covered G96 6 speed manual A96 5 speed automatic

The Car Hacker's Handbook Craig Smith, 2016-03-01 Modern cars are more computerized than ever Infotainment and navigation systems Wi Fi automatic software updates and other innovations aim to make driving more convenient But vehicle technologies haven t kept pace with today s more hostile security environment leaving millions vulnerable to attack The Car Hacker s Handbook will give you a deeper understanding of the computer systems and embedded software in modern vehicles It begins by examining vulnerabilities and providing detailed explanations of communications over the CAN bus and between devices and systems Then once you have an understanding of a vehicle s communication network you ll learn how to intercept data and perform specific hacks to track vehicles unlock doors glitch engines flood communication and more With a focus on low cost open source hacking tools such as Metasploit Wireshark Kayak can utils and ChipWhisperer The Car Hacker s Handbook will show you how to Build an accurate threat model for your vehicle Reverse engineer the CAN bus to fake engine signals Exploit vulnerabilities in diagnostic and data logging systems Hack the ECU and other firmware and embedded systems Feed exploits through infotainment and vehicle to vehicle communication systems Override factory settings with performance tuning techniques Build physical and virtual test benches to try out exploits safely If you re curious about automotive security and have the urge to hack a two ton computer make The Car Hacker s Handbook your first stop

VW Golf, GTI, Jetta and Cabrio, 1999 Thru 2002 Jay Storer, John H. Haynes, Haynes Manuals, 2003 Models covered VW Golf GTI Jetta and Cabrio 1999 through 2002

4.6L & 5.4L Ford Engines George Reid, 2015-04-15 Since 1991 the popular and highly modifiable Ford 4.6 liter has become a modern day V8 phenomenon powering everything from Ford Mustangs to hand built hot rods and the 5.4 liter has powered trucks SUVs the Shelby GT500 and more The wildly popular 4.6 liter has created an industry unto itself with a huge supply of aftermarket high performance parts machine services and accessories Its design delivers exceptional potential flexibility and reliability The 4.6 liter can be built to produce 300 hp up to 2000 hp and in turn it has become a favorite among rebuilders racers and high performance enthusiasts

4.6 5.4 Liter Ford Engines How to Rebuild expertly guides you through each step of rebuilding a 4.6 liter as well as a 5.4 liter engine providing essential information and insightful detail This volume delivers the complete nuts and bolts rebuild story so the enthusiast can professionally rebuild an engine at home and achieve the desired performance goals In addition it contains a retrospective of the engine family essential identification information and component differences between engines made at Romeo and Windsor factories for identifying your engine and selecting the right parts It also covers how to properly plan a 4.6 5.4 liter build up and choose the best equipment for your engine s particular application As with all Workbench Series books this book is packed with detailed photos and comprehensive captions where you are guided step by step through the disassembly machine work assembly start up break in and tuning procedures for all iterations of the 4.6 5.4 liter engines including 2 valve and 3 valve SOHC and the 4 valve DOHC versions It also includes an easy to reference spec chart and suppliers guide so you find the right equipment for your particular build up

How to Rebuild Small-Block Ford Engines Tom Monroe, 1987-01-01 If you have a small block Ford then you need this book This detailed guide covers the step by step rebuilding process of the popular small block Ford engine Parts inspection diagnosis reconditioning and assembly are outlined in simple text Hundreds of photos charts and diagrams visually walk you through the entire rebuild You ll be able to completely disassemble your engine recondition the block and cylinder heads then reassemble and install the engine in your vehicle There s even a section on how to perform tune ups to maximize performance and economy Sections on parts interchanging will help you identify all parts and determine which ones can and can t be swapped This is truly a hands on book Don t put off your project any longer Start rebuilding your small block Ford today

Congressional Intern Handbook Sue Grabowski, Congressional Management Foundation (U.S.), 1996

The Complete Book of Ford Mustang Mike Mueller, 2022-01-25 The Complete Book of Ford Mustang 4th Edition details the development technical specifications and history of America s original pony car now updated to cover cars through the 2021 model year

Explorer Ford Motor Company, 1997

Ford Ranger Pick-ups 1993 thru 2011 Editors of Haynes Manuals, 2013-06-15 With a Haynes manual you can do it yourself from simple maintenance to basic repairs Haynes writes every book based on a complete teardown of the vehicle We learn the best ways to do a job and that makes it quicker easier and cheaper for you Our books have clear

instructions and hundreds of photographs that show each step Whether you re a beginner or a pro you can save big with Haynes Step by step procedures Easy to follow photos Complete troubleshooting section Valuable short cuts Color spark plug diagnosis Complete coverage for your Ford Ranger Mazda Pick up covering all Ford Ranger models for 1993 thru 2011 Mazda B2300 B2500 B3000 B4000 for 1994 thru 2008 Routine Maintenance Tune up procedures Engine repair Cooling and heating Air Conditioning Fuel and exhaust Emissions control Ignition Brakes Suspension and steering Electrical systems Wiring diagrams **The Aggregates Handbook, Second Edition** National Stone, Sand & Gravel Association,2013-03-20 **30th Anniversary Falcon GT** ,1997 **The Complete Small Truck Cost Guide, 1996** Inc Intellichoice,1996-03 **The Doan Brook Handbook** Laura C. Gooch,2001 Ford Ranger & Bronco II Alan Ahlstrand,Homer Eubanks,John Harold Haynes,1998 *Subject Guide to Books in Print* ,1997 **Ford F-100/F-150 Pickup 1953 to 1996** Robert Ackerson,2016-06-28 This book examines all aspects of the history of one of Ford Motor Company s greatest successes its F series pickups Complementing a detailed text examining annual model changes options specifications and the unique appeal of Ford s limited edition and high performance pickups are hundreds of illustrations nearly all in colour *FARS Manual* ,1997 The Cumulative Book Index ,1996 A world list of books in the English language

powell says inflation is still too high and lower economic cnbc - Jun 05 2022

web 1 day ago after a short delay powell noted the labor market and economic growth may need to slow to ultimately achieve the fed s goal still the record suggests that a sustainable return to our 2

lucent publication marketing economics and banking pdf - May 16 2023

web mar 20 2023 lucent publication marketing economics and banking 1 8 downloaded from uniport edu ng on march 20 2023 by guest lucent publication marketing economics and banking when somebody should go to the ebook stores search establishment by shop shelf by shelf it is in point of fact problematic this is why we give the book

marketing economics and banking by lucent - Jan 12 2023

web lucent s marketing economics and banking buy online now april 23rd 2018 buy lucent s marketing economics and banking book online at low price in india on jainbookagency com alcatel and lucent merger creating a telecom titan march 30th 2018 this case alcatel and lucent merger creating a telecom titan focus on alcatel

bank of england chief economist says there s still some work to - Feb 01 2022

web oct 16 2023 the us stock market has opened higher despite anxiety over the situation in the middle east the dow jones industrial average has gained 247 points or 0 75 to 33 918

marketing economics and banking by lucent download only - Aug 07 2022

web 2 marketing economics and banking by lucent 2022 09 07 chapters from invited participants in the international applied

social science congress held in turkey between the 19th and 21st april 2018 financial institutions and markets university of
chicago press this second edition of ecommerce economics addresses the economic issues

bok s rhee flags risk of market storm on israel hamas conflict - Dec 11 2022

web 2 days ago october 18 2023 at 9 43 pm pdt listen 5 09 bank of korea governor rhee chang yong warned of the risk of
market jitters stemming from the israel hamas conflict after the central bank stood pat

marketing economics and banking lucent publication - Sep 20 2023

web the present book marketing economics and banking focuses on basic concepts in easy lucid language for readers and
especially for those who are preparing for banking examinations both clerical and p o and also for examinations in the
insurance sector

marketing economics and banking by lucent hub bgateway com - Apr 03 2022

web marketing economics amp banking by lucent bring my book the economics of marketing business 2 community third
european academic research conference on global amazon in customer reviews marketing economics amp banking lucent s
marketing economics and banking onlinebooksstore in business and

marketing economics and banking by lucent pdf stijn - May 04 2022

web as this marketing economics and banking by lucent pdf it ends taking place monster one of the favored book marketing
economics and banking by lucent pdf collections that we have this is why you remain in the best website to look the
unbelievable ebook to have venture capital stefano caselli 2012 11 02 venture capital a euro system

lucent s marketing economics and banking exam360 - Jul 18 2023

web feb 22 2019 lucent marketing economics and banking english medium is one of the best books available at exam360
shop specially for upcoming ibps sbi ssc exams which covers complete syllabus with theory mcq based questions including
important tits bits this book is very helpful for competitive exams lucent s marketing economics

marketing economics and banking by lucent - Feb 13 2023

web may 8th 2018 lucent marketing economics and banking new here registration is free and easy faster checkout save
multiple shipping addresses lucent publications fdrive in april 15th 2018 the present book marketing economics and banking
focuses on basic concepts in easy lucid language for readers and especially for those who are

strong retail sales factory output point to robust us growth in - Jul 06 2022

web oct 17 2023 excluding automobiles gasoline building materials and food services retail sales rose 0 6 in september data
for august was revised up to show these so called core retail sales gaining 0 2

lucent s marketing economics banking book for all competitive - Aug 19 2023

web jan 1 2015 amazon in buy lucent s marketing economics banking book for all competitive examinations in english book

online at best prices in india on amazon in read lucent s marketing economics banking book for all competitive examinations in english book reviews author details and more at amazon in free delivery on qualified

[marketing economics and banking by lucent wrbb neu](#) - Apr 15 2023

web marketing economics and banking by lucent is available in our digital library an online access to it is set as public so you can get it instantly our books collection spans in multiple locations allowing you to get the most less latency time to

china s economy grows faster than expected as retail sales rise - Mar 02 2022

web 2 days ago retail sales a gauge of consumption also beat expectations rising 5.5 last month but a deepening downturn in the property sector which accounts for nearly a quarter of economic output poses

lucent publication marketing economics and banking 2022 - Mar 14 2023

web lucent publication marketing economics and banking downloaded from renewalcc.com by guest beltran morrow fcc annual report and analysis of competitive market conditions with respect to commercial mobile services john wiley sons the global innovation index ranks the innovation performance of 141 countries and

marketing economics and banking by lucent 2023 - Nov 10 2022

web marketing economics and banking by lucent 3.3 interrelation of the three becomes evident for a successful business the entrepreneur cannot live in isolation to be successful and start grow and manage a profitable business with sustainability he she must be cognizant of all the factors

lucent publication marketing economics and banking pdf - Jun 17 2023

web may 7 2023 lucent publication marketing economics and banking 1.9 downloaded from uniport.edu.ng on may 7 2023 by guest lucent publication marketing economics and banking recognizing the way ways to get this books lucent publication marketing economics and banking is additionally useful you have remained in right site to start

[lucent publication marketing economics and banking download](#) - Oct 09 2022

web lucent publication marketing economics and banking downloaded from georgiacollegesurvey.gcsu.edu by guest sierra nicholson handbook of relationship marketing abc clio financial economics is a fascinating topic where ideas from economics mathematics and most recently psychology are combined to understand

[world bank more economic integration would help unleash the](#) - Sep 08 2022

web oct 16 2023 economic integration is an essential driver of growth job creation and prosperity the western balkan economies could realize that opportunity by addressing barriers to trade in goods and services and by modernizing payment systems stressed antonella bassani at the summit the western balkans have a tremendous opportunity

□ □ □ □ □ □ □ □ - Nov 06 2022

web 9 09 pm mc bay gyi play as mickey mouse in this reimagining of the classic sega genesis mega drive game experience a

world of wonder brought to life with all new graphics and magical adventures journey across five magical worlds filled with mizrael s powerful minions

op dr turgay er yorumları incele ve randevu al doktortakvimi - Feb 26 2022

web op dr turgay er hakkında randevu ve bilgi almak için tıklayınız hastalar veya danışanlar tarafından kendisi hakkında yapılmış değerlendirmeler ve sorulmuş sorulara verdiği yanıtlar profilindedir op dr turgay er adlı uzmana randevu al İstanbul ilinde ortopedi ve travmatoloji görüşler iletişim bilgisi ve hizmetler

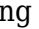

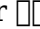

doç dr banu gülbay yorumları incele ve randevu al - Jun 01 2022

web doç dr banu gülbay hakkında randevu ve bilgi almak için tıklayınız hastalar veya danışanlar tarafından kendisi hakkında yapılmış değerlendirmeler ve sorulmuş sorulara verdiği yanıtlar profilindedir

doktor bey doctor filmi sinemalar com - May 12 2023

web doktor bey film konusu metanetli bir askeri doktor renkli ekibinin de yardımıyla nişanlısının kaçırılan yeğenini kurtarmak için hem zeka hem fırlamalık gerektiren bir operasyon düzenler

mc bay gyi   **youtube** - Aug 03 2022

web jun 11 2019 song bal mhar   artist mc bay gyi album link myanmarmusicstore com albu mcbaygyi balmhar  
legacy music 1 7m subscribers

prof dr oya bayrı görüşleri incele ve randevu al - Mar 10 2023

web prof dr oya bayrı adlı uzmana randevu al fatih ilinde el cerrahisi görüşler iletişim bilgisi ve hizmetler

dr bay gyi ma swischoolwear co uk - Apr 30 2022

web dr bay gyi downloaded from ma swischoolwear co uk by guest moore santiago healing elements iseas yusof ishak institute this book is the memoir of tsewang yishey pemba as novelist and the first western trained medical doctor in tibet and whose memories of the tibet of the 1930s and 1940s include festivals travel the author s formative

bay gyi    **youtube** - Jul 02 2022

web sep 10 2010 about press copyright contact us creators advertise developers terms privacy policy safety how youtube works test new features nfl sunday ticket press copyright

uzmanlara göre egzersiz seni doğuma nasıl hazırlayabilir - Dec 27 2021

web bunun sebebi hareket etmenin vücudunu doğuma daha iyi hazırlamasıdır Örneğin ciğer kapasiteni artırır Üstelik avantajlar sadece fiziksel değildir dr williams genellikle egzersiz yapan ve zorlukları aşmaya alışkın olan kişiler en iyi doğum deneyimini yaşar diyor tıpkı uzun bir yarış veya zorlu bir antrenmanda

doktor bey netflix - Aug 15 2023

web doktor bey 2021 yetişkinlik düzeyi 16 2 sa 29 dk action metanetli bir askerî doktor renkli ekibinin de yardımıyla

nişanlısının kaçırılan yeğenini kurtarmak için hem zekâ hem fırlamalık gerektiren bir operasyon düzenler başroldekiler
sivakarhikeyan vinay rai priyanka arul mohan

[dr bay gyi sam arabtravelers](#) - Dec 07 2022

web dr bay gyi 1 dr bay gyi tai chi chuan a daughter s memoir of burma crises of imagination crises of power a complete
dictionary of the english language both with regard to sound and meaning to which is prefixed a prosodial grammar the
second edition enlarged graduate medical education directory 2001 2002 memoirs of the

[uzm dr gülay durmuş görüşleri incele ve randevu al](#) - Jan 28 2022

web uzm dr gülay durmuş hakkında randevu ve bilgi almak için tıklayınız hastalar veya danışanlar tarafından kendisi
hakkında yapılmış değerlendirmeler ve sorulmuş sorulara verdiği yanıtlar profilindedir uzm dr gülay durmuş adlı uzmana
randevu al İstanbul ilinde ortodonti görüşler iletişim bilgisi ve hizmetler

[prof dr bahadır giray yorumları incele ve randevu al](#) - Oct 05 2022

web prof dr bahadır giray hakkında randevu ve bilgi almak için tıklayınız hastalar veya danışanlar tarafından kendisi
hakkında yapılmış değerlendirmeler ve sorulmuş sorulara verdiği yanıtlar profilindedir

[op dr ali kayabay yorumları incele ve randevu al](#) - Sep 04 2022

web op dr ali kayabay adlı uzmana randevu al sultangazi ilinde genel cerrahi görüşler iletişim bilgisi ve hizmetler

dr bay gyi wp publish com - Jul 14 2023

web enter the realm of dr bay gyi a mesmerizing literary masterpiece penned by a distinguished author guiding readers on a
profound journey to unravel the secrets and potential hidden within every word

[venus mc baygyi zero y lay youtube](#) - Jan 08 2023

web may 2 2012 venus mc baygyi zero y lay myanmar new songs mc bay gyi myanmar zero myanmar y lay music

[uzm dr ali bay yorumları incele ve randevu al doktortakvimi](#) - Jun 13 2023

web uzm dr ali bay adlı uzmana randevu al Şahinbey ilinde Çocuk hematolojisi görüşler iletişim bilgisi ve hizmetler

uzm dr günseli abay yorumları incele ve randevu al - Feb 09 2023

web adres İstanbul dr siyami ersek göğüs kalp ve damar cerrahisi eğitim ve araştırma hastanesi tıbbiye cad no 13 kadıköy
haritayı büyüt bu adres için online randevu takvimi mevcut değil sigortasız hastalar herhangi bir hizmet eklenmemiş

[op dr giray güneyle yorumları incele ve randevu al](#) - Mar 30 2022

web op dr giray güneyle hakkında randevu ve bilgi almak için tıklayınız hastalar veya danışanlar tarafından kendisi hakkında
yapılmış değerlendirmeler ve sorulmuş sorulara verdiği yanıtlar profilindedir

[dr bahadır ay yorumlarını oku ve randevu al doktorsitesi com](#) - Apr 11 2023

web dr bahadır ay beyin ve sinir cerrahisi uzmanıdır migren omurilik kanal darlığı sinir bozukluğu alanlarında hizmet veriyor

ve hastalıkların uzmanlık alanında hizmet veriyor

on my skis by kari lynn winters on my bookroo - Nov 27 2022

web feb 1 2017 kari lynn winters christina leist ages 2 6 26 pages snow dogs skiing winter canada sports and recreation
view book summary

on my skin teaser hd netflix youtube - Feb 16 2022

web jul 30 2018 the incredible true story behind the most controversial italian court cases in recent years stefano cucchi
was arrested for a minor crime and mysteriously f

on my skis orca book - Aug 05 2023

web feb 15 2017 set in the mountains overlooking vancouver british columbia and its surroundings this under five follow up
to the hugely popular on my walk features a very young child learning to ski another delightful collaboration between kari
lynn winters and christina leist on my skis takes very young children on a little journey around vancouver

why i purposely left my skis behind on my last ski vacation - Mar 20 2022

web feb 6 2023 operation swan song leaving my skis in the racks after two weeks of skiing in the dolomites was meant to be
poetic but it was also a financially motivated ploy my son was training with the alta badia ski academy traveling with five
pairs of heavy race skis loaded up in two massive ski bags

on my skis translation into arabic reverso context - Jun 22 2022

web translations in context of on my skis in english arabic from reverso context no not on my skis

on my skis kari lynn winters google books - May 02 2023

web set in the mountains overlooking vancouver british columbia and its surroundings this under five follow up to the hugely
popular on my walk features a very young child learning to ski another delightful collaboration between kari lynn winters and
christina leist on my skis takes very young children on a little journey around vancouver

on my skis rÜfÜs du sol youtube - May 22 2022

web apr 16 2022 looks like im on my skis again

on my skis enbook - Aug 25 2022

web set in the mountains overlooking vancouver british columbia and its surroundings this under five follow up to the hugely
popular on my walk features a very young child learning to ski another delightful collaboration between kari lynn winters and
chri

on my skis diverse bookfinder - Jul 04 2023

web on my skis 2017 by kari lynn winters and christina leist toddlers and young children will take delight in this whimsically
illustrated rhyming story set in the mountains overlooking the city come along on this bumbling tumbling snowy skiing

adventure

buy on my skis book by kari lynn winters - Sep 25 2022

web feb 15 2017 on my skis isbn 1926890035 ean13 9781926890036 language english release date feb 15 2017 pages 26 dimensions 0 31 h x 8 58 l x 7 24 w weight 0 44 lbs format library binding publisher tradewind books favorite add to wishlist on my skis 2 ratings arrow drop down 5 out of 5

on my skis calgary public library bibliocommons - Oct 27 2022

web another delightful collaboration between kari lynn winters and christina leist on my skis takes very young children on a little journey around snowy mountains while our protagonist learns to ski whimsical and strikingly original illustrations are

skis türkçe Çeviri bab la İngilizce türkçe sözlük - Oct 07 2023

web Ücretsiz İngilizce türkçe sözlükte skis in karşılığı ve başka pek çok türkçe çeviri bab la online dictionaries vocabulary conjugation grammar share

on my skis on my 3 by kari lynn winters goodreads - Jun 03 2023

web feb 15 2017 set in the mountains overlooking vancouver british columbia and its surroundings this under five follow up to the hugely popular on my walk features a very young child learning to ski another delightful collaboration between kari lynn winters and christina leist on my skis takes very young children on a little journey around vancouver

on my skis library binding picture book feb 15 2017 - Jan 30 2023

web another delightful collaboration between kari lynn winters and christina leist on my skis takes very young children on a little journey around vancouver whimsical and strikingly original illustrations are set to winter s irresistibly rhythmic story

on my skin wikipedia - Apr 20 2022

web on my skin may refer to on my skin 2003 film an italian crime drama film on my skin 2018 film an italian drama film this disambiguation page lists articles associated with the title on my skin if an internal link led you here you may wish to change the link to point directly to the intended article

on my walk childrens book author drama in education - Jul 24 2022

web illustrated by christina leist on my walk vancouver tradewind books 32 pages ages 1 5 isbn 9781896580616 oclc number 423601674 see also the sequels on my skis on my bike and on my swim come along on a rollicking rainy day walk with a catchy rhythm this simple story will be a fun daytime read for babies toddlers and pre schoolers

on my skis kari lynn winters - Apr 01 2023

web skip to content

on my skis by kari lynn winters auth bookroo com - Dec 29 2022

web what s on my skis about publisher summary a sweet and rhythmic story about a child who learns to ski what kind of book

is on my skis themes snow dogs skiing winter canada sports and recreation culture genres fiction linguistic styles rhyming locations british columbia

kari winters phd childrens book author drama in education on my skis - Feb 28 2023

web 4 on my skis and on my bike are stories that follow a young child learning to ski and ride a bike and all of the things the child hears and sees while outside in winter and fall both stories show the same child learning these skills alongside parents younger sibling and

on my skis on my 3 amazon com - Sep 06 2023

web feb 15 2017 set in the mountains overlooking vancouver british columbia and its surroundings this under five follow up to the hugely popular on my walk features a very young child learning to ski another delightful collaboration between kari lynn winters and christina leist on my skis takes very young children on a little journey around vancouver

Getting the books **1996 Ford Explorer Engine Manual** now is not type of inspiring means. You could not forlorn going subsequent to book stock or library or borrowing from your friends to approach them. This is an unquestionably simple means to specifically acquire lead by on-line. This online notice 1996 Ford Explorer Engine Manual can be one of the options to accompany you following having additional time.

It will not waste your time. assume me, the e-book will utterly manner you extra situation to read. Just invest tiny get older to right of entry this on-line statement **1996 Ford Explorer Engine Manual** as skillfully as review them wherever you are now.

https://offsite.creighton.edu/files/virtual-library/Documents/learn_flatpicking_guitar.pdf

https://offsite.creighton.edu/files/virtual-library/Documents/latest_teas_version.pdf

https://offsite.creighton.edu/files/virtual-library/Documents/letter_of_substantial_completion.pdf

Table of Contents 1996 Ford Explorer Engine Manual

1. Understanding the eBook 1996 Ford Explorer Engine Manual
 - The Rise of Digital Reading 1996 Ford Explorer Engine Manual
 - Advantages of eBooks Over Traditional Books
2. Identifying 1996 Ford Explorer Engine Manual
 - Exploring Different Genres
 - Considering Fiction vs. Non-Fiction
 - Determining Your Reading Goals
3. Choosing the Right eBook Platform
 - Popular eBook Platforms

- Features to Look for in an 1996 Ford Explorer Engine Manual
- User-Friendly Interface
- 4. Exploring eBook Recommendations from 1996 Ford Explorer Engine Manual
 - Personalized Recommendations
 - 1996 Ford Explorer Engine Manual User Reviews and Ratings
 - 1996 Ford Explorer Engine Manual and Bestseller Lists
- 5. Accessing 1996 Ford Explorer Engine Manual Free and Paid eBooks
 - 1996 Ford Explorer Engine Manual Public Domain eBooks
 - 1996 Ford Explorer Engine Manual eBook Subscription Services
 - 1996 Ford Explorer Engine Manual Budget-Friendly Options
- 6. Navigating 1996 Ford Explorer Engine Manual eBook Formats
 - ePub, PDF, MOBI, and More
 - 1996 Ford Explorer Engine Manual Compatibility with Devices
 - 1996 Ford Explorer Engine Manual Enhanced eBook Features
- 7. Enhancing Your Reading Experience
 - Adjustable Fonts and Text Sizes of 1996 Ford Explorer Engine Manual
 - Highlighting and Note-Taking 1996 Ford Explorer Engine Manual
 - Interactive Elements 1996 Ford Explorer Engine Manual
- 8. Staying Engaged with 1996 Ford Explorer Engine Manual
 - Joining Online Reading Communities
 - Participating in Virtual Book Clubs
 - Following Authors and Publishers 1996 Ford Explorer Engine Manual
- 9. Balancing eBooks and Physical Books 1996 Ford Explorer Engine Manual
 - Benefits of a Digital Library
 - Creating a Diverse Reading Collection 1996 Ford Explorer Engine Manual
- 10. Overcoming Reading Challenges
 - Dealing with Digital Eye Strain
 - Minimizing Distractions
 - Managing Screen Time
- 11. Cultivating a Reading Routine 1996 Ford Explorer Engine Manual

-
- Setting Reading Goals 1996 Ford Explorer Engine Manual
 - Carving Out Dedicated Reading Time
12. Sourcing Reliable Information of 1996 Ford Explorer Engine Manual
 - Fact-Checking eBook Content of 1996 Ford Explorer Engine Manual
 - Distinguishing Credible Sources
 13. Promoting Lifelong Learning
 - Utilizing eBooks for Skill Development
 - Exploring Educational eBooks
 14. Embracing eBook Trends
 - Integration of Multimedia Elements
 - Interactive and Gamified eBooks

1996 Ford Explorer Engine Manual Introduction

In today's digital age, the availability of 1996 Ford Explorer Engine Manual books and manuals for download has revolutionized the way we access information. Gone are the days of physically flipping through pages and carrying heavy textbooks or manuals. With just a few clicks, we can now access a wealth of knowledge from the comfort of our own homes or on the go. This article will explore the advantages of 1996 Ford Explorer Engine Manual books and manuals for download, along with some popular platforms that offer these resources. One of the significant advantages of 1996 Ford Explorer Engine Manual books and manuals for download is the cost-saving aspect. Traditional books and manuals can be costly, especially if you need to purchase several of them for educational or professional purposes. By accessing 1996 Ford Explorer Engine Manual versions, you eliminate the need to spend money on physical copies. This not only saves you money but also reduces the environmental impact associated with book production and transportation. Furthermore, 1996 Ford Explorer Engine Manual books and manuals for download are incredibly convenient. With just a computer or smartphone and an internet connection, you can access a vast library of resources on any subject imaginable. Whether you're a student looking for textbooks, a professional seeking industry-specific manuals, or someone interested in self-improvement, these digital resources provide an efficient and accessible means of acquiring knowledge. Moreover, PDF books and manuals offer a range of benefits compared to other digital formats. PDF files are designed to retain their formatting regardless of the device used to open them. This ensures that the content appears exactly as intended by the author, with no loss of formatting or missing graphics. Additionally, PDF files can be easily annotated, bookmarked, and searched for specific terms, making them highly practical for studying or referencing. When it comes to accessing 1996 Ford Explorer Engine Manual books and manuals,

several platforms offer an extensive collection of resources. One such platform is Project Gutenberg, a nonprofit organization that provides over 60,000 free eBooks. These books are primarily in the public domain, meaning they can be freely distributed and downloaded. Project Gutenberg offers a wide range of classic literature, making it an excellent resource for literature enthusiasts. Another popular platform for 1996 Ford Explorer Engine Manual books and manuals is Open Library. Open Library is an initiative of the Internet Archive, a non-profit organization dedicated to digitizing cultural artifacts and making them accessible to the public. Open Library hosts millions of books, including both public domain works and contemporary titles. It also allows users to borrow digital copies of certain books for a limited period, similar to a library lending system. Additionally, many universities and educational institutions have their own digital libraries that provide free access to PDF books and manuals. These libraries often offer academic texts, research papers, and technical manuals, making them invaluable resources for students and researchers. Some notable examples include MIT OpenCourseWare, which offers free access to course materials from the Massachusetts Institute of Technology, and the Digital Public Library of America, which provides a vast collection of digitized books and historical documents. In conclusion, 1996 Ford Explorer Engine Manual books and manuals for download have transformed the way we access information. They provide a cost-effective and convenient means of acquiring knowledge, offering the ability to access a vast library of resources at our fingertips. With platforms like Project Gutenberg, Open Library, and various digital libraries offered by educational institutions, we have access to an ever-expanding collection of books and manuals. Whether for educational, professional, or personal purposes, these digital resources serve as valuable tools for continuous learning and self-improvement. So why not take advantage of the vast world of 1996 Ford Explorer Engine Manual books and manuals for download and embark on your journey of knowledge?

FAQs About 1996 Ford Explorer Engine Manual Books

How do I know which eBook platform is the best for me? Finding the best eBook platform depends on your reading preferences and device compatibility. Research different platforms, read user reviews, and explore their features before making a choice. Are free eBooks of good quality? Yes, many reputable platforms offer high-quality free eBooks, including classics and public domain works. However, make sure to verify the source to ensure the eBook credibility. Can I read eBooks without an eReader? Absolutely! Most eBook platforms offer web-based readers or mobile apps that allow you to read eBooks on your computer, tablet, or smartphone. How do I avoid digital eye strain while reading eBooks? To prevent digital eye strain, take regular breaks, adjust the font size and background color, and ensure proper lighting while reading eBooks. What the advantage of interactive eBooks? Interactive eBooks incorporate multimedia elements, quizzes, and activities,

enhancing the reader engagement and providing a more immersive learning experience. 1996 Ford Explorer Engine Manual is one of the best book in our library for free trial. We provide copy of 1996 Ford Explorer Engine Manual in digital format, so the resources that you find are reliable. There are also many Ebooks of related with 1996 Ford Explorer Engine Manual. Where to download 1996 Ford Explorer Engine Manual online for free? Are you looking for 1996 Ford Explorer Engine Manual PDF? This is definitely going to save you time and cash in something you should think about.

Find 1996 Ford Explorer Engine Manual :

[learn flatpicking guitar](#)

latest teas version

letter of substantial completion

[law office procedures manual](#)

[legal issues of artificial intelligence](#)

lease offer letter

landscape estimate form

lead ap id+c

[leading figures of the renaissance](#)

learn french in the car

[let bea bake your day](#)

larry david daughter civil war

lead green associate practice exam v4 free pdf

[lawn mower maintenance checklist pdf](#)

lexus manual cars

1996 Ford Explorer Engine Manual :