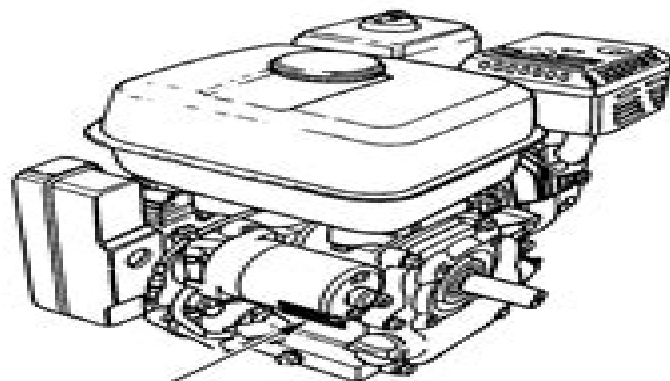


# HONDA

**GX120 · GX160 · GX200**



Serial number and  
engine type

## OWNER'S MANUAL

32ZH7620  
00X32-ZH7-6201

1

HONDA EUROPE N.V. (EEC)  
[www.honda-engines-eu.com](http://www.honda-engines-eu.com)



# **Gx160 Hayns Manual**

**John Harold Haynes**



# Gx160 Hayns Manual

**Haynes GM N-Cars Owners Workshop Manual, No. 1420** Bob Henderson, J. H. Haynes, 1992 **Automotive Computer Codes** John Haynes, 2001-01-05 Computer controlled car repair made easy This manual is filled with simple do it yourself diagnosis easy access to on board computer trouble codes and complete and easy to understand code charts for all models **MGA** John Harold Haynes, Ian M. Coomber, 2013\* *M. G. B. Owner's Workshop Manual* John Harold Haynes, 1969 **Oliver & Cockshutt Shop Manual** Editors of Haynes Manuals, 1992-06-01 With a Haynes manual you can do it yourself from simple maintenance to basic repairs Haynes writes every book based on a complete teardown of the vehicle where we learn the best ways to do a job and that makes it quicker easier and cheaper for you Haynes books have clear instructions and hundreds of photographs that show each step Whether you are a beginner or a pro you can save big with a Haynes manual This manual features complete coverage for your Oliver Cockshutt tractor covering Routine maintenance Tune up procedures Engine repair Cooling and heating Air conditioning Fuel and exhaust Emissions control Ignition brakes Suspension and steering Models covered include Oliver Cockshutt Oliver Model 2255 Oliver Cockshutt Series 1550 Oliver Cockshutt Series 1555 Oliver Cockshutt Series 1600 Oliver Cockshutt Series 1650 Oliver Cockshutt Series 1655 Oliver Cockshutt Series 1750 Oliver Cockshutt Series 1755 Oliver Cockshutt Series 1800 Oliver Cockshutt Series 1850 Oliver Cockshutt Series 1855 Oliver Cockshutt Series 1900 Oliver Cockshutt Series 1950 Oliver Cockshutt Series 1950 T Oliver Cockshutt Series 1955 *Case International Shop Manuals 1190 1290 1390 1490+* Editors of Haynes Manuals, 1987-11-01 With a Haynes manual you can do it yourself from simple maintenance to basic repairs Haynes writes every book based on a complete teardown of the vehicle where we learn the best ways to do a job and that makes it quicker easier and cheaper for you Haynes books have clear instructions and hundreds of photographs that show each step Whether you are a beginner or a pro you can save big with a Haynes manual This manual features complete coverage for your Case International Tractor Models 1190 1290 1390 or 1490 covering Routine maintenance Tune up procedures Engine repair Cooling and heating Air conditioning Fuel and exhaust Emissions control Ignition Brakes Suspension and steering Electrical systems and Wiring diagrams **Haynes Mini Owners Workshop Manual, No. 527** John Haynes, 1965-06-01 Haynes offers the best coverage for cars trucks vans SUVs and motorcycles on the market today Each manual contains easy to follow step by step instructions linked to hundreds of photographs and illustrations Included in every manual troubleshooting section to help identify specific problems tips that give valuable short cuts to make the job easier and eliminate the need for special tools notes cautions and warnings for the home mechanic color spark plug diagnosis and an easy to use index MGB John Harold Haynes, 1971 **Nissan 300ZX, 1984-1989** John Haynes, 1986-11-02 Haynes disassembles every subject vehicle and documents every step with thorough instructions and clear photos Haynes repair manuals are used by the pros but written for the do it

yourselfer *John Deere Shop Manual 520 530 620 630 720* + Penton Staff,2000-05-24 Models 520 530 620 630 720 730  
Honda VT1100 Shadow Max Haynes,2010-08-01 Haynes manuals are written specifically for the do it yourselfer yet are complete enough to be used by professional mechanics Since 1960 Haynes has produced manuals written from hands on experience based on a vehicle teardown with hundreds of photos and illustrations making Haynes the world leader in automotive repair information General Motors N-cars Automotive Repair Manual Richard Lindwall,John Harold Haynes,1995 GM N Cars 1985 95 Shop Manual Haynes 376 pgs 902 ill *Haynes Saturn S-Series 1991 thru 2002* Mark Ryan,2003-11-28 Each Haynes Manual is based on a complete teardown and rebuild of the specific vehicle Features hundreds of hands on photographs taken of specific repair procedures in progress Includes a full chapter on scheduled owner maintenance and devotes a full chapter to emissions systems Wiring diagrams are featured throughout

**Allis-Chalmers Shop Manual AC20 AC17 AC25 & AC27** Editors of Haynes Manuals,1989-10-01 With a Haynes manual you can do it yourself from simple maintenance to basic repairs Haynes writes every book based on a complete teardown of the vehicle where we learn the best ways to do a job and that makes it quicker easier and cheaper for you Haynes books have clear instructions and hundreds of photographs that show each step Whether you are a beginner or a pro you can save big with a Haynes manual This manual features complete coverage for your Allis Chambers Tractor Model AC20 AC17 AC25 or AC27 covering routine maintenance tune up procedures engine repair cooling and heating air conditioning fuel and exhaust emissions control ignition brakes suspension and steering electrical systems and wiring diagrams

**General Motors Haynes Repair Manual** Robert Maddox,1999 **General Motors X-cars Automotive Repair Manual** Rik Paul,John Harold Haynes,1995 **Chilton's Nissan 350Z & Infiniti G35 2003-08 Repair Manual** Jay Storer,2008 Covers U S and Canadian models of Nissan 350Z Infiniti G35 Does not include Infiniti G37 models **Case International Shop Manuals 1190 1290 1390 1490+** Editors of Haynes Manuals,1987-11-01 With a Haynes manual you can do it yourself from simple maintenance to basic repairs Haynes writes every book based on a complete teardown of the vehicle where we learn the best ways to do a job and that makes it quicker easier and cheaper for you Haynes books have clear instructions and hundreds of photographs that show each step Whether you are a beginner or a pro you can save big with a Haynes manual This manual features complete coverage for your Case International Tractor Models 1190 1290 1390 or 1490 covering Routine maintenance Tune up procedures Engine repair Cooling and heating Air conditioning Fuel and exhaust Emissions control Ignition Brakes Suspension and steering Electrical systems and Wring diagrams **Kia Sorento, '03-'13** Haynes Publishing,2018-05-01 Each Haynes manual provides specific and detailed instructions for performing everything from basic maintenance and troubleshooting to a complete overhaul of the machine in this case the Kia Sorento model years 2003 through 2013 Do it yourselfers will find this service and repair manual more comprehensive than the factory manual making it an indispensable part of their tool box A typical Haynes manual covers general information

troubleshooting lubrication and routine maintenance engine top end engine lower end primary drive clutch and external shift mechanism transmission and internal shift mechanism engine management system electrical system wheels tires and drivebelt front suspension and steering rear suspension brakes body and color wiring diagrams An index makes the manual easy to navigate **Midget, Sprite Owners Workshop Manual** John Harold Haynes,1977

**vous avez l immense pouvoir de changer votre vie marabout** - Apr 11 2023

web oct 6 2016 chantal rialland est psychologue diplômée en sciences humaines cliniques université paris vii la sorbonne psychothérapeute française renommée elle est l

**vous avez l immense pouvoir de changer votre vie babelio** - Jan 08 2023

web noté 5 retrouvez vous avez l immense pouvoir de changer votre vie 5 étapes pour réaliser votre big bang intérieur et des millions de livres en stock sur amazon fr

vous avez l immense pouvoir de changer votre vie hachette fr - Oct 25 2021

*vous avez l immense pouvoir de changer votre vie* - Jun 13 2023

web jun 28 2023 1 prenez conscience que vous avez le pouvoir de changer votre vie 2 commencez par changer les choses en vous 3 utilisez les outils du changement 4

*vous avez l immense pouvoir de changer votre vie poche* - Mar 30 2022

web vous voulez oser changer de vie et vaincre vos peurs de passer à l action déposez votre candidature pour bénéficier d une session déclic de 45 min

**vous avez l immense pouvoir de changer votre vie poche** - Jul 02 2022

web jan 1 2012 chantal rialland explique comment provoquer cette révolution intérieure et vous accompagne le temps de cette métamorphose prenez conscience que vous

**vous avez l immense pouvoir de changer votre vie babelio** - Aug 15 2023

web jan 30 2019 résumé être heureux au quotidien donner du sens à sa vie voilà des souhaits auxquels tout le monde aspire chantal rialland explique comment provoquer

*vous avez l immense pouvoir de changer de votre vie* - Feb 26 2022

web chantal rialland explique comment provoquer cette révolution intérieure et vous accompagne le temps de cette métamorphose prenez conscience que vous avez le

**vous avez l immense pouvoir de changer votre vie decitre** - Dec 27 2021

web oct 28 2020 être heureux au quotidien donner du sens à sa vie voilà des souhaits auxquels tout le monde aspire l

autrice explique comment provoquer une véritable

*vous avez l'immense pouvoir de changer votre vie fnac* - Aug 03 2022

web vous avez l'immense pouvoir de changer votre vie rialland chantal amazon com be livres

**vous avez l'immense pouvoir de changer votre vie 5 étapes pour** - Dec 07 2022

web jun 28 2023 être heureux au quotidien donner du sens à sa vie voilà des souhaits auxquels tout le monde aspire chantal rialland explique comment provoquer une

*vous avez l'immense pouvoir de changer votre vie hachette fr* - Sep 04 2022

web chantal rialland explique comment provoquer cette révolution intérieure et vous accompagne le temps de cette métamorphose prenez conscience que vous avez le

*vous avez l'immense pouvoir de changer votre vie hachette fr* - Oct 05 2022

web chantal rialland explique comment provoquer cette révolution intérieure et vous accompagne le temps de cette métamorphose prenez conscience que vous avez le

*vous avez l'immense pouvoir de changer votre vie amazon fr* - Jul 14 2023

web noté 5 retrouvez vous avez l'immense pouvoir de changer votre vie et des millions de livres en stock sur amazon fr achetez neuf ou d occasion

*vous avez l'immense pouvoir de changer votre vie fnac* - May 12 2023

web jun 28 2023 1 prenez conscience que vous avez le pouvoir de changer votre vie 2 commencez par changer les choses en vous 3 utilisez les outils du changement 4

**vous avez l'immense pouvoir de changer votre vie decitre** - Nov 25 2021

web accueil livres santé bien être et sports santé bien être vous avez l'immense pouvoir de changer votre vie marabout vous avez l'immense pouvoir de changer votre vie

**vous avez l'immense pouvoir de changer votre vie goodreads** - Jun 01 2022

web vous avez l'immense pouvoir de changer votre vie par chantal rialland aux éditions marabout 5 étapes pour réaliser votre big bang intérieur Être heureux au quotidien

*vous avez l'immense pouvoir de changer votre vie fnac* - Feb 09 2023

web may 31 2017 5 étapes pour prendre un nouveau départ Être heureux au quotidien donner du sens à sa vie voilà des souhaits auxquels tout le monde aspire chantal

*vous avez l'immense pouvoir de changer votre vie amazon fr* - Jan 28 2022

web jun 30 2021 chantal rialland explique comment provoquer une véritable révolution intérieure et vous accompagne le temps de cette métamorphose 1 prenez conscience

**vous avez l immense pouvoir de changer votre vie youtube** - Mar 10 2023

web jun 13 2018 5 étapes pour prendre un nouveau départ Être heureux au quotidien donner du sens à sa vie voilà des souhaits auxquels tout le monde aspire chantal riailand

**vous avez l immense pouvoir de changer votre vie decitre** - Nov 06 2022

web jun 28 2023 1 prenez conscience que vous avez le pouvoir de changer votre vie 2 commencez par changer les choses en vous 3 utilisez les outils du changement 4

**vous avez l immense pouvoir de changer votre vie cultura** - Apr 30 2022

web 27 06 2023 date de parution voir les caractéristiques description 5 étapes pour réaliser votre big bang intérieur Être heureux au quotidien donner du sens à sa vie voilà des

*stuttgart germany 2023 best places to visit tripadvisor* - Apr 19 2023

about stuttgart surrounded by one of germany s largest wine growing regions stuttgart beckons cultural junkies with its acclaimed ballet opera and philharmonic while auto fans get revved up over the mercedes benz museum

*visit stuttgart discover the home of porsche and mercedes benz* - May 20 2023

all information for your trip and stay in stuttgart provided by the official tourism partner of the state capital stuttgart sights hotels city tours and tickets in stuttgart find inspiration for your stuttgart experience

**visit stuttgart city of cars and culture germany travel** - Dec 15 2022

the motoring legends in the porsche museum also make heads turn every march classic car enthusiasts from around the world descend on stuttgart for retro classics germany s best loved motor show back in the present day a tour of the mercedes benz plant in sindelfingen offers an in depth look behind the scenes at a state of the art car factory

**stuttgart germany 2023 best places to visit tripadvisor** - Feb 17 2023

surrounded by one of germany s largest wine growing regions stuttgart beckons cultural junkies with its acclaimed ballet opera and philharmonic while car fans get revved up over the mercedes benz museum there s more green space than urban sprawl in the festival friendly city home to europe s largest combined zoo and botanic garden the

**stuttgart da gezilecek en iyi 10 yer tripadvisor** - Jul 22 2023

stuttgart bölgesinde çocuklarla birlikte yapılacak en popüler şeyler hangileri stuttgart gezilecek yerler stuttgart mutlaka yapılması gereken 456 şey için tripadvisor gezginlerinin 145 354 yorumuna ve fotoğrafına bak

**stuttgart germany map history points of interest** - Mar 18 2023

oct 19 2023 stuttgart city capital of baden württemberg land state southwestern germany astride the neckar river in a forested vineyard and orchard setting in historic swabia stuttgart lies between the black forest to the west and the swabian alp to the south

**the 15 best things to do in stuttgart tripadvisor** - Jun 21 2023

jul 8 2011 things to do in stuttgart germany see tripadvisor s 145 405 traveler reviews and photos of stuttgart tourist attractions find what to do today this weekend or in october we have reviews of the best places to see in stuttgart visit top rated must see attractions

**stuttgart travel guide at wikivoyage** - Jan 16 2023

stuttgart is the capital of the bundesland of baden württemberg in germany with a population of approximately 632 000 in the immediate city 2017 and more than 5 2 million people in the metropolitan area 2013 stuttgart is the 6th largest city in germany stuttgart is known as a centre of mechanical and automobile engineering with the

**stuttgart wikipedia** - Aug 23 2023

stuttgart covers an area of 207 35 km 2 80 sq mi and sits at elevation ranging from 207 m 679 ft above sea level by the neckar river to 549 m 1 801 ft on bernhartshöhe hill something rather unique in large german cities

**stuttgart wikipedi** - Sep 24 2023

stuttgart almanya nın altıncı büyük şehri baden württemberg eyaletinin başkenti ve en büyük belediyesi stuttgart vilayetinin regierungsbezirk merkezidir stuttgart almanya nın ticarete en aktif şehridir 31 aralık 2017 itibarıyla nüfusu 632 743

[econ 202 macroeconomics victoria university of wellington pdf](#) - Jan 19 2022

web mar 10 2023 econ 202 macroeconomics victoria university of wellington 2 7 downloaded from uniport edu ng on march 10 2023 by guest foreign direct investment

[econ 202 macroeconomics victoria university of wellington](#) - Feb 17 2022

web mar 5 2023 econ 202 macroeconomics victoria university of wellington 2 8 downloaded from uniport edu ng on march 5 2023 by guest conduct monetary policy

**econ202 open economy macroeconomics victoria university** - Sep 07 2023

web toggle navigation victoria university of wellington home my lists my bookmarks feedback log in school of economics and finance lists linked to open economy

*staff school of economics and finance victoria* - Dec 30 2022

web economics and finance victoria university of wellington international information economics and finance gain a greater understanding of the world around you through

*economics and finance victoria university of wellington* - Nov 28 2022

web university victoria university of wellington course open economy macroeconomics econ202 uploaded by

*econ 202 advanced macroeconomics victoria university of* - Aug 06 2023

web access study documents get answers to your study questions and connect with real tutors for econ 202 advanced



macroeconomics at victoria university of wellington

*econ202tutorial assignment 02 victoria university of wellington* - Oct 28 2022

web econ 202 open economy macroeconomics time allowed 50 minutes instructions 1 you must turn off your cell phone or set it mute 2 this is a closed book

*open economy macroeconomics victoria university of* - Oct 08 2023

web econ 202 is an intermediate level open economy macroeconomics course it provides a more detailed consideration of some of the macroeconomic topics introduced in econ

**econ 202 macroeconomics victoria university of wellington** - Mar 21 2022

web 2 econ 202 macroeconomics victoria university of wellington 2021 12 21 restrained by the risk of inflation in a deregulated labour market how labour market deregulation has

**econ 202 macroeconomics victoria university of wellington pdf** - Jun 23 2022

web econ 202 macroeconomics victoria university of wellington capital class dec 21 2020 macroeconomics dec 01 2021 macroeconomics and new macroeconomics

**econ 202 macroeconomics victoria university of wellington** - Nov 16 2021

open economy macroeconomics econ202 victoria university - Apr 02 2023

web open economy macroeconomics econ202 victoria university studocu open economy macroeconomics econ202 university victoria university of

study at wellington victoria university of wellington - Jul 25 2022

web aug 17 2023 kindly say the econ 202 macroeconomics victoria university of wellington is universally compatible with any devices to read social and economic

**economics university of victoria** - Apr 21 2022

web econ 202 macroeconomics victoria university of wellington environment and development economics the governance of energy in china descriptive catalog of the

econ202mid trimester test 2018 sol mid trimester test - Sep 26 2022

web econ 202 victoria wellington school victoria university of wellington victoria wellington we aren t endorsed by this school documents 21 q a 37 textbook

*econ202 introduction to open economy macroeconomics* - Jan 31 2023

web econ202 introduction to open economy macroeconomics open economy macroeconomics university victoria university of wellington course open

*econ 202 macroeconomics victoria university of wellington copy* - Dec 18 2021

web may 20 2023 econ 202 macroeconomics victoria university of wellington 2 8 downloaded from uniport edu ng on may 20 2023 by guest economic development

victoria university of wellington - Mar 01 2023

web intermediate microeconomics econ 201 open economy macroeconomics econ 202 one course from econ 211

school of economics and finance victoria university of - Jun 04 2023

web economics and finance gain a greater understanding of the world around you through the lens of economics and finance study at victoria university of wellington and get

**econ 202 assignment 1 victoria university of wellington** - May 03 2023

web econ 202 assignment 1 university victoria university of wellington course open economy macroeconomics econ202 uploaded by lilly ki academic year 2019 2020

**download solutions econ 202 macroeconomics victoria** - May 23 2022

web economics more than numbers economics is about more than numbers it s about finding the story behind those numbers it s a way of thinking and a set of powerful

**econ 202 victoria wellington course hero** - Aug 26 2022

web public economics economics of social regulations econ411 t h e r o l e o f p o l i c y i n s t r u m e n t s i n a c h i e v i n g p o l i c y o b j e c t i v e s

**victoria university of wellington** - Jul 05 2023

web home future students undergraduate degrees bachelor of commerce bcom for domestic students majoring in economics 3 years wellington campuses and online

Eventually, you will agreed discover a new experience and completion by spending more cash. yet when? realize you believe that you require to acquire those all needs later than having significantly cash? Why dont you attempt to get something basic in the beginning? Thats something that will guide you to understand even more on the globe, experience, some places, in the manner of history, amusement, and a lot more?

It is your totally own grow old to take action reviewing habit. in the middle of guides you could enjoy now is **Gx160 Hayns Manual** below.

[https://offsite.creighton.edu/files/virtual-library/Documents/is\\_tracy\\_mcmillan\\_black.pdf](https://offsite.creighton.edu/files/virtual-library/Documents/is_tracy_mcmillan_black.pdf)

[https://offsite.creighton.edu/files/virtual-library/Documents/jackie\\_cohen\\_ropes.pdf](https://offsite.creighton.edu/files/virtual-library/Documents/jackie_cohen_ropes.pdf)

[https://offsite.creighton.edu/files/virtual-library/Documents/is\\_snoopy\\_public\\_domain.pdf](https://offsite.creighton.edu/files/virtual-library/Documents/is_snoopy_public_domain.pdf)

## **Table of Contents Gx160 Hayns Manual**

1. Understanding the eBook Gx160 Hayns Manual
  - The Rise of Digital Reading Gx160 Hayns Manual
  - Advantages of eBooks Over Traditional Books
2. Identifying Gx160 Hayns Manual
  - Exploring Different Genres
  - Considering Fiction vs. Non-Fiction
  - Determining Your Reading Goals
3. Choosing the Right eBook Platform
  - Popular eBook Platforms
  - Features to Look for in an Gx160 Hayns Manual

- User-Friendly Interface
- 4. Exploring eBook Recommendations from Gx160 Hayns Manual
  - Personalized Recommendations
  - Gx160 Hayns Manual User Reviews and Ratings
  - Gx160 Hayns Manual and Bestseller Lists
- 5. Accessing Gx160 Hayns Manual Free and Paid eBooks
  - Gx160 Hayns Manual Public Domain eBooks
  - Gx160 Hayns Manual eBook Subscription Services
  - Gx160 Hayns Manual Budget-Friendly Options
- 6. Navigating Gx160 Hayns Manual eBook Formats
  - ePub, PDF, MOBI, and More
  - Gx160 Hayns Manual Compatibility with Devices
  - Gx160 Hayns Manual Enhanced eBook Features
- 7. Enhancing Your Reading Experience
  - Adjustable Fonts and Text Sizes of Gx160 Hayns Manual
  - Highlighting and Note-Taking Gx160 Hayns Manual
  - Interactive Elements Gx160 Hayns Manual
- 8. Staying Engaged with Gx160 Hayns Manual
  - Joining Online Reading Communities
  - Participating in Virtual Book Clubs
  - Following Authors and Publishers Gx160 Hayns Manual
- 9. Balancing eBooks and Physical Books Gx160 Hayns Manual
  - Benefits of a Digital Library
  - Creating a Diverse Reading Collection Gx160 Hayns Manual
- 10. Overcoming Reading Challenges
  - Dealing with Digital Eye Strain
  - Minimizing Distractions
  - Managing Screen Time
- 11. Cultivating a Reading Routine Gx160 Hayns Manual
  - Setting Reading Goals Gx160 Hayns Manual

- Carving Out Dedicated Reading Time
- 12. Sourcing Reliable Information of Gx160 Hayns Manual
  - Fact-Checking eBook Content of Gx160 Hayns Manual
  - Distinguishing Credible Sources
- 13. Promoting Lifelong Learning
  - Utilizing eBooks for Skill Development
  - Exploring Educational eBooks
- 14. Embracing eBook Trends
  - Integration of Multimedia Elements
  - Interactive and Gamified eBooks

### **Gx160 Hayns Manual Introduction**

In today's digital age, the availability of Gx160 Hayns Manual books and manuals for download has revolutionized the way we access information. Gone are the days of physically flipping through pages and carrying heavy textbooks or manuals. With just a few clicks, we can now access a wealth of knowledge from the comfort of our own homes or on the go. This article will explore the advantages of Gx160 Hayns Manual books and manuals for download, along with some popular platforms that offer these resources. One of the significant advantages of Gx160 Hayns Manual books and manuals for download is the cost-saving aspect. Traditional books and manuals can be costly, especially if you need to purchase several of them for educational or professional purposes. By accessing Gx160 Hayns Manual versions, you eliminate the need to spend money on physical copies. This not only saves you money but also reduces the environmental impact associated with book production and transportation. Furthermore, Gx160 Hayns Manual books and manuals for download are incredibly convenient. With just a computer or smartphone and an internet connection, you can access a vast library of resources on any subject imaginable. Whether you're a student looking for textbooks, a professional seeking industry-specific manuals, or someone interested in self-improvement, these digital resources provide an efficient and accessible means of acquiring knowledge. Moreover, PDF books and manuals offer a range of benefits compared to other digital formats. PDF files are designed to retain their formatting regardless of the device used to open them. This ensures that the content appears exactly as intended by the author, with no loss of formatting or missing graphics. Additionally, PDF files can be easily annotated, bookmarked, and searched for specific terms, making them highly practical for studying or referencing. When it comes to accessing Gx160 Hayns Manual books and manuals, several platforms offer an extensive collection of resources. One such platform is Project Gutenberg, a nonprofit organization that provides over 60,000 free eBooks. These books are primarily in the public domain,

meaning they can be freely distributed and downloaded. Project Gutenberg offers a wide range of classic literature, making it an excellent resource for literature enthusiasts. Another popular platform for Gx160 Hayns Manual books and manuals is Open Library. Open Library is an initiative of the Internet Archive, a non-profit organization dedicated to digitizing cultural artifacts and making them accessible to the public. Open Library hosts millions of books, including both public domain works and contemporary titles. It also allows users to borrow digital copies of certain books for a limited period, similar to a library lending system. Additionally, many universities and educational institutions have their own digital libraries that provide free access to PDF books and manuals. These libraries often offer academic texts, research papers, and technical manuals, making them invaluable resources for students and researchers. Some notable examples include MIT OpenCourseWare, which offers free access to course materials from the Massachusetts Institute of Technology, and the Digital Public Library of America, which provides a vast collection of digitized books and historical documents. In conclusion, Gx160 Hayns Manual books and manuals for download have transformed the way we access information. They provide a cost-effective and convenient means of acquiring knowledge, offering the ability to access a vast library of resources at our fingertips. With platforms like Project Gutenberg, Open Library, and various digital libraries offered by educational institutions, we have access to an ever-expanding collection of books and manuals. Whether for educational, professional, or personal purposes, these digital resources serve as valuable tools for continuous learning and self-improvement. So why not take advantage of the vast world of Gx160 Hayns Manual books and manuals for download and embark on your journey of knowledge?

## FAQs About Gx160 Hayns Manual Books

**What is a Gx160 Hayns Manual PDF?** A PDF (Portable Document Format) is a file format developed by Adobe that preserves the layout and formatting of a document, regardless of the software, hardware, or operating system used to view or print it. **How do I create a Gx160 Hayns Manual PDF?** There are several ways to create a PDF: Use software like Adobe Acrobat, Microsoft Word, or Google Docs, which often have built-in PDF creation tools. Print to PDF: Many applications and operating systems have a "Print to PDF" option that allows you to save a document as a PDF file instead of printing it on paper. Online converters: There are various online tools that can convert different file types to PDF. **How do I edit a Gx160 Hayns Manual PDF?** Editing a PDF can be done with software like Adobe Acrobat, which allows direct editing of text, images, and other elements within the PDF. Some free tools, like PDFescape or Smallpdf, also offer basic editing capabilities. **How do I convert a Gx160 Hayns Manual PDF to another file format?** There are multiple ways to convert a PDF to another format: Use online converters like Smallpdf, Zamzar, or Adobe Acrobats export feature to convert PDFs to formats like Word, Excel, JPEG, etc. Software like Adobe Acrobat, Microsoft Word, or other PDF editors may have

options to export or save PDFs in different formats. **How do I password-protect a Gx160 Hayns Manual PDF?** Most PDF editing software allows you to add password protection. In Adobe Acrobat, for instance, you can go to "File" -> "Properties" -> "Security" to set a password to restrict access or editing capabilities. Are there any free alternatives to Adobe Acrobat for working with PDFs? Yes, there are many free alternatives for working with PDFs, such as: LibreOffice: Offers PDF editing features. PDFsam: Allows splitting, merging, and editing PDFs. Foxit Reader: Provides basic PDF viewing and editing capabilities. How do I compress a PDF file? You can use online tools like Smallpdf, ILovePDF, or desktop software like Adobe Acrobat to compress PDF files without significant quality loss. Compression reduces the file size, making it easier to share and download. Can I fill out forms in a PDF file? Yes, most PDF viewers/editors like Adobe Acrobat, Preview (on Mac), or various online tools allow you to fill out forms in PDF files by selecting text fields and entering information. Are there any restrictions when working with PDFs? Some PDFs might have restrictions set by their creator, such as password protection, editing restrictions, or print restrictions. Breaking these restrictions might require specific software or tools, which may or may not be legal depending on the circumstances and local laws.

### **Find Gx160 Hayns Manual :**

[is tracy mcmillan black](#)

[jackie cohen ropes](#)

**is snoopy public domain**

*isuzu engine dealer near me*

[isak dinesen out of africa](#)

[japanese sherlock holmes](#)

**james van der beek young**

**ivy and bean pdf**

**is from blood and ash about vampires**

*is sandcastle a true story*

**is shadowhunters coming back in 2022**

**jeep grand cherokee beep codes**

[is ice skating hard to learn](#)

**jack reacher street fight**

**jeet kune do stance**

**Gx160 Hayns Manual :**