

T15040EN04601

**Fuel Camshaft**

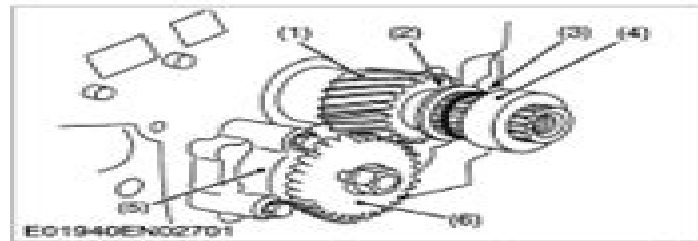
1. Remove the screws and draw out the camshaft with the gear on it.
2. Remove the retaining plate (1).
3. Remove the screws, then draw out the injection pump gear (2) and fuel camshaft (3) with the governor fork assembly.

**(When reassembling)**

- Hook the spring to the fork lever 2 (4) as shown in the figure before installing the fork lever assembly to the crankcase.

- |                         |                     |
|-------------------------|---------------------|
| (1) Retaining Plate     | (4) Fork Lever 2    |
| (2) Injection Pump Gear | (5) Fork Lever 1    |
| (3) Fuel Camshaft       | (6) Governor Sleeve |

W10178820



EO1940EN02701

**Oil Pump and Crankshaft Gear**

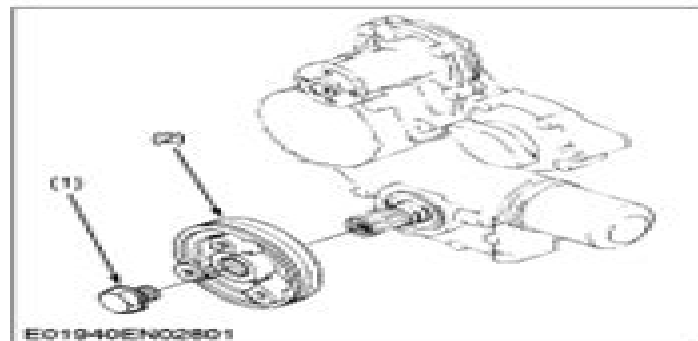
1. Remove the oil pump gear (6).
2. Remove the oil pump (5).
3. Remove the collar (4), O-ring (3) and oil slinger (2).
4. Remove the crankshaft gear (1) with a puller.

**(When reassembling)**

- Install the oil slinger (2) and O-ring (3) after aligning the marks on the gears. (See the figure at "Idle Gear".)
- Install the crankshaft collar (4) after installing the gear case cover.

- |                            |                       |
|----------------------------|-----------------------|
| (1) Crankshaft Gear        | (4) Crankshaft Collar |
| (2) Crankshaft Oil Slinger | (5) Oil Pump          |
| (3) O-ring                 | (6) Oil Pump Gear     |

W10180290

**(C) Timing Gears, Fuel Camshaft and Camshaft  
[D1105-E-ZD]**

EO1940EN02801

**Fan Drive Pulley**

1. Set the stopper to the flywheel.
2. Remove the fan drive pulley screw (1).
3. Draw out the fan drive pulley (2) with a puller.

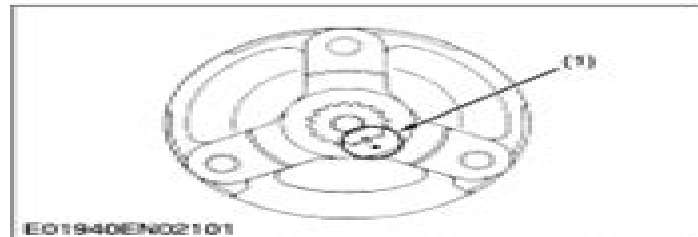
**(When reassembling)**

- Install the fan drive pulley to the crankshaft, aligning the marks (3) on them.

Tightening torque	Fan drive pulley retaining screw	235.4 to 245.2 N·m 24.0 to 25.0 kgf·m 173.6 to 180.6 ft·lbs
-------------------	----------------------------------	---

- |                            |                   |
|----------------------------|-------------------|
| (1) Fan Drive Pulley Screw | (3) Aligning Mark |
| (2) Fan Drive Pulley       |                   |

W1035250



EO1940EN02101

# **Kubota Zd28 Service Manual**

**Caterpillar Company**



Kubota Zd28 Service Manual

Eventually, you will utterly discover a additional experience and success by spending more cash. still when? accomplish you understand that you require to get those all needs as soon as having significantly cash? Why dont you attempt to acquire something basic in the beginning? Thats something that will guide you to understand even more going on for the globe, experience, some places, afterward history, amusement, and a lot more?

It is your totally own period to undertaking reviewing habit. in the middle of guides you could enjoy now is **Kubota Zd28 Service Manual** below.

[https://offsite.creighton.edu/results/Resources/Download\\_PDFS/If\\_He\\_Had\\_Been\\_With\\_Me\\_Plot.pdf](https://offsite.creighton.edu/results/Resources/Download_PDFS/If_He_Had_Been_With_Me_Plot.pdf)

[https://offsite.creighton.edu/results/Resources/Download\\_PDFS/how\\_to\\_use\\_i\\_ching.pdf](https://offsite.creighton.edu/results/Resources/Download_PDFS/how_to_use_i_ching.pdf)

[https://offsite.creighton.edu/results/Resources/Download\\_PDFS/Ill\\_Huff\\_And\\_Ill\\_Puff\\_Meaning.pdf](https://offsite.creighton.edu/results/Resources/Download_PDFS/Ill_Huff_And_Ill_Puff_Meaning.pdf)

## **Table of Contents Kubota Zd28 Service Manual**

1. Understanding the eBook Kubota Zd28 Service Manual
  - The Rise of Digital Reading Kubota Zd28 Service Manual
  - Advantages of eBooks Over Traditional Books
2. Identifying Kubota Zd28 Service Manual
  - Exploring Different Genres
  - Considering Fiction vs. Non-Fiction
  - Determining Your Reading Goals
3. Choosing the Right eBook Platform
  - Popular eBook Platforms
  - Features to Look for in an Kubota Zd28 Service Manual
  - User-Friendly Interface
4. Exploring eBook Recommendations from Kubota Zd28 Service Manual
  - Personalized Recommendations
  - Kubota Zd28 Service Manual User Reviews and Ratings
  - Kubota Zd28 Service Manual and Bestseller Lists
5. Accessing Kubota Zd28 Service Manual Free and Paid eBooks

- Kubota Zd28 Service Manual Public Domain eBooks
  - Kubota Zd28 Service Manual eBook Subscription Services
  - Kubota Zd28 Service Manual Budget-Friendly Options
6. Navigating Kubota Zd28 Service Manual eBook Formats
- ePub, PDF, MOBI, and More
  - Kubota Zd28 Service Manual Compatibility with Devices
  - Kubota Zd28 Service Manual Enhanced eBook Features
7. Enhancing Your Reading Experience
- Adjustable Fonts and Text Sizes of Kubota Zd28 Service Manual
  - Highlighting and Note-Taking Kubota Zd28 Service Manual
  - Interactive Elements Kubota Zd28 Service Manual
8. Staying Engaged with Kubota Zd28 Service Manual
- Joining Online Reading Communities
  - Participating in Virtual Book Clubs
  - Following Authors and Publishers Kubota Zd28 Service Manual
9. Balancing eBooks and Physical Books Kubota Zd28 Service Manual
- Benefits of a Digital Library
  - Creating a Diverse Reading Collection Kubota Zd28 Service Manual
10. Overcoming Reading Challenges
- Dealing with Digital Eye Strain
  - Minimizing Distractions
  - Managing Screen Time
11. Cultivating a Reading Routine Kubota Zd28 Service Manual
- Setting Reading Goals Kubota Zd28 Service Manual
  - Carving Out Dedicated Reading Time
12. Sourcing Reliable Information of Kubota Zd28 Service Manual
- Fact-Checking eBook Content of Kubota Zd28 Service Manual
  - Distinguishing Credible Sources
13. Promoting Lifelong Learning
- Utilizing eBooks for Skill Development

- Exploring Educational eBooks
- 14. Embracing eBook Trends
  - Integration of Multimedia Elements
  - Interactive and Gamified eBooks

### **Kubota Zd28 Service Manual Introduction**

In today's digital age, the availability of Kubota Zd28 Service Manual books and manuals for download has revolutionized the way we access information. Gone are the days of physically flipping through pages and carrying heavy textbooks or manuals. With just a few clicks, we can now access a wealth of knowledge from the comfort of our own homes or on the go. This article will explore the advantages of Kubota Zd28 Service Manual books and manuals for download, along with some popular platforms that offer these resources. One of the significant advantages of Kubota Zd28 Service Manual books and manuals for download is the cost-saving aspect. Traditional books and manuals can be costly, especially if you need to purchase several of them for educational or professional purposes. By accessing Kubota Zd28 Service Manual versions, you eliminate the need to spend money on physical copies. This not only saves you money but also reduces the environmental impact associated with book production and transportation. Furthermore, Kubota Zd28 Service Manual books and manuals for download are incredibly convenient. With just a computer or smartphone and an internet connection, you can access a vast library of resources on any subject imaginable. Whether you're a student looking for textbooks, a professional seeking industry-specific manuals, or someone interested in self-improvement, these digital resources provide an efficient and accessible means of acquiring knowledge. Moreover, PDF books and manuals offer a range of benefits compared to other digital formats. PDF files are designed to retain their formatting regardless of the device used to open them. This ensures that the content appears exactly as intended by the author, with no loss of formatting or missing graphics. Additionally, PDF files can be easily annotated, bookmarked, and searched for specific terms, making them highly practical for studying or referencing. When it comes to accessing Kubota Zd28 Service Manual books and manuals, several platforms offer an extensive collection of resources. One such platform is Project Gutenberg, a nonprofit organization that provides over 60,000 free eBooks. These books are primarily in the public domain, meaning they can be freely distributed and downloaded. Project Gutenberg offers a wide range of classic literature, making it an excellent resource for literature enthusiasts. Another popular platform for Kubota Zd28 Service Manual books and manuals is Open Library. Open Library is an initiative of the Internet Archive, a non-profit organization dedicated to digitizing cultural artifacts and making them accessible to the public. Open Library hosts millions of books, including both public domain works and contemporary titles. It also allows users to borrow digital copies of certain books for a limited period, similar to a library lending system. Additionally, many universities

and educational institutions have their own digital libraries that provide free access to PDF books and manuals. These libraries often offer academic texts, research papers, and technical manuals, making them invaluable resources for students and researchers. Some notable examples include MIT OpenCourseWare, which offers free access to course materials from the Massachusetts Institute of Technology, and the Digital Public Library of America, which provides a vast collection of digitized books and historical documents. In conclusion, Kubota Zd28 Service Manual books and manuals for download have transformed the way we access information. They provide a cost-effective and convenient means of acquiring knowledge, offering the ability to access a vast library of resources at our fingertips. With platforms like Project Gutenberg, Open Library, and various digital libraries offered by educational institutions, we have access to an ever-expanding collection of books and manuals. Whether for educational, professional, or personal purposes, these digital resources serve as valuable tools for continuous learning and self-improvement. So why not take advantage of the vast world of Kubota Zd28 Service Manual books and manuals for download and embark on your journey of knowledge?

### **FAQs About Kubota Zd28 Service Manual Books**

How do I know which eBook platform is the best for me? Finding the best eBook platform depends on your reading preferences and device compatibility. Research different platforms, read user reviews, and explore their features before making a choice. Are free eBooks of good quality? Yes, many reputable platforms offer high-quality free eBooks, including classics and public domain works. However, make sure to verify the source to ensure the eBook credibility. Can I read eBooks without an eReader? Absolutely! Most eBook platforms offer web-based readers or mobile apps that allow you to read eBooks on your computer, tablet, or smartphone. How do I avoid digital eye strain while reading eBooks? To prevent digital eye strain, take regular breaks, adjust the font size and background color, and ensure proper lighting while reading eBooks. What the advantage of interactive eBooks? Interactive eBooks incorporate multimedia elements, quizzes, and activities, enhancing the reader engagement and providing a more immersive learning experience. Kubota Zd28 Service Manual is one of the best book in our library for free trial. We provide copy of Kubota Zd28 Service Manual in digital format, so the resources that you find are reliable. There are also many Ebooks of related with Kubota Zd28 Service Manual. Where to download Kubota Zd28 Service Manual online for free? Are you looking for Kubota Zd28 Service Manual PDF? This is definitely going to save you time and cash in something you should think about.

**Find Kubota Zd28 Service Manual :**

**if he had been with me plot**

*how to use i ching*

[i'll huff and i'll puff meaning](#)

*imperialism dbq ap world history*

[how to use the i ching](#)

*i-ching psychic science*

*i ready reading book 4th grade pdf*

[how to treat ehrlichia naturally](#)

**hypertension nursing concept map**

**how to write a bank loan proposal**

[ib physics online course](#)

[humpty dumpty with a beard](#)

**how to write a good advertisement summary**

[how to write a letter of invitation](#)

**i can't do that yet growth mindset**

**Kubota Zd28 Service Manual :**

*macroeconomic policy regimes in western industria download - Feb 23 2022*

web macroeconomic policy regimes in western industria the european central bank macroeconomics after kalecki and keynes

growth and welfare in advanced capitalist economies inflation in emerging and developing economies macroeconomic

modelling and monetary and exchange rate regimes monetary divergence macroeconomic

[macroeconomic policy regimes in western industrial countries - Aug 12 2023](#)

web feb 15 2011 based on herr and kazandziska 2011 we can define macroeconomic policy regime as the set of goals

targets and instruments of macroeconomic policy and the institutional framework where

[macroeconomic policy regimes in western industrial countries - Dec 04 2022](#)

web macroeconomic policy regimes and their assessment 2 1 general characteristics of an economic policy regime 2 2

financial systems 2 2 1 prototypes of financial systems 2 2 2 the type of financial system prevailing today 2 3 foreign

economic policy 2 3 1 institutional changes 2 3 2 external economic constraints and strategies 2 4



**introduction 5 macroeconomic policy regimes in western industrial** - Jun 10 2023

web book macroeconomic policy regimes in western industrial countries click here to navigate to parent product

**macroeconomic policy regimes in western industria 2023** - Jul 11 2023

web and defend subnational policy regimes that deviate ideologically from national policy regimes the second occurs when these same officials use their authority resources and legitimacy to question oppose and alter the ideological content of

**macroeconomic policy regimes in western industrial countries goodreads** - Sep 01 2022

web the new neoliberal model fundamentally changed the conditions for all macroeconomic policies in this book these macroeconomic policy regimes are discussed on a theoretical level macroeconomic policy regimes in western industrial countries

macroeconomic policy regimes in western industria 2022 - Jun 29 2022

web macroeconomic policy regimes in western industrial countries springer nature this book discusses the role played by the exchange rate in the economy and the pros and cons of fixed and flexible rates are discussed

*macroeconomic policy regimes in western industria checkin* - Mar 27 2022

web macroeconomic policy regimes in western industria 1 macroeconomic policy regimes in western industria monetary divergence the european central bank the diffusion of western economic ideas in east asia regime changes combating inequality a modern guide to keynesian macroeconomics and economic policies

**macroeconomic policy regimes in western industrial countries** - Sep 13 2023

web feb 14 2011 in this book these macroeconomic policy regimes are discussed on a theoretical level macroeconomic policy regimes in western industrial countries explains how certain countries have created a more liberal and market based type of capitalism the emphasis throughout is on how understanding macroeconomic

*the singapore model of industrial policy publications* - May 29 2022

web oct 24 2005 trade investment and technology flows macroeconomic stability from fiscal and monetary prudence and high savings and investment on the other hand the revisionists argue that singapore demonstrates the success of government intervention in the economy to create national competitive advantage through selective industrial policy

**macroeconomic policy regimes in western industria download** - Nov 03 2022

web macroeconomic policy regimes in western industrial countries explains how certain countries have created a more liberal and market based type of capitalism the emphasis throughout is on how understanding macroeconomic policies and the institutional f industrial solid waste recycling in western china apr 05 2020

**macroeconomic policy regimes in western industrial countries** - Feb 06 2023

web macroeconomic policy regimes in western industrial countries by hansjorg herr milka kazandziska 2011 taylor francis

group edition in english macroeconomic policy regimes in western industrial countries 2011 edition open library

[macroeconomic policy regimes in western industrial countries](#) - Apr 08 2023

web macroeconomic policy regimes in western industrial countries responsibility hansjörg herr and milka kazandziska imprint london new york routledge 2011 physical description xvi 265 p ill 24 cm series routledge frontiers of political economy 137 available online

[macroeconomic policy regimes in western industrial countries](#) - Mar 07 2023

web find the latest published papers in macroeconomic policy regimes in western industrial countries top authors related hot topics the most cited papers and related journals

*macroeconomic policy regimes in western industrial countries* - Apr 27 2022

web macroeconomic policy regimes in western industrial countries 1 ed 9780203830345 9780415561730 this book analyses how the economic crisis in the 1970s led to the erosion of the regulated type of capitalism that came 132662mb englishpages 282year 2011 report dmca copyright download epub file author uploaded hansjörg herr milka

**macroeconomic policy regimes in western industrial countries** - Oct 14 2023

web in this book these macroeconomic policy regimes are discussed on a theoretical level macroeconomic policy regimes in western industrial countries explains how certain countries have created a more liberal and market based type of capitalism the emphasis throughout is on how understanding macroeconomic policies and the institutional

**the singapore model of industrial policy past evolution and current** - Oct 02 2022

web this presentation summarizes singapore s economic performance and examines the evolving industrial strategy major policies and performances singapore has achieved substantial economic and social progress since political independence in 1965 with one of the highest per capita incomes in asia the economic success of singapore has been

**macroeconomic policy regimes in western industrial countries** - Jan 05 2023

web summary macroeconomic policy regimes in western industrial countries explains how certain countries have created a more liberal and market based type of capitalism the emphasis throughout is on how understanding macroeconomic policies and the institutional framework in which they operate is vital to understanding the long run

[macroeconomic policy regimes in western industrial countries](#) - Jul 31 2022

web macroeconomic policy regimes in western industrial countries 137 herr hansjörg kazandziska milka amazon sg books

*macroeconomic policy regimes in western industrial countries* - May 09 2023

web the new neoliberal model fundamentally changed the conditions for all macroeconomic policies in this book these macroeconomic policy regimes are discussed on a theoretical level macroeconomic policy regimes in western industrial countries explains how certain countries have created a more liberal and market based type of

**presentation bisnis plan ppt slideshare** - Oct 05 2022

web presentation bisnis plan nama dan alamat pemilik nama pemilik dita ovita astriana alamat pemilik jl cipto mangun kusumo no 15 no telp 085257054283 bentuk usaha perseorangan karena modal kecil maka bentuk usaha perseorangan merupakan suatu bentuk yang ideal

*bagaimana anda membuat rencana bisnis presentasi powerpoint* - Feb 09 2023

web jun 21 2022 langkah 1 pilihlah contoh powerpoint bisnis yang sempurna tentu anda bisa membuka powerpoint melempar sekumpulan gambar dan grafik ke segala arah dan menyebutnya sehari tapi jika anda akan melakukan itu anda mungkin juga melewatkan presentasi rencana bisnis anda sama sekali dan menerima kekalahan sekarang

**15 template powerpoint pemasaran untuk menampilkan** - Aug 03 2022

web jun 14 2022 1 marketing plan ppt powerpoint presentation template jika anda membutuhkan template powerpoint untuk membuat presentasi perencanaan pemasaran maka perangkat profesional dari envato elements memiliki rancangan slide yang anda cari tunjukkan strategi pemasaran anda dan sorot hal pokok data anda dengan infografik

**30 template powerpoint bisnis pemasaran 2022** - Jan 28 2022

web 30 template powerpoint bisnis pemasaran 2022 by desinae menggunakan tata letak powerpoint default untuk mendesain presentasi bisnis biasanya bukan ide yang bagus anda memerlukan template powerpoint bisnis yang akan menonjol membuat kesan dan terlihat profesional sebuah desain ulang lengkap untuk template

**cara membuat presentasi business plan profesional dengan powerpoint** - Sep 04 2022

web nov 23 2015 untuk membuat presentasi business plan profesional dengan powerpoint ada tiga langkah harus anda lakukan pertama adalah siapkan konsep business plan sebaik mungkin karena ini adalah landasan yang akan menjadi penentu pertama kesuksesan presentasi anda kedua buatlah outline dan sketsa dari desain

**download gratis contoh presentasi bisnis keren canva** - Feb 26 2022

web beranda presentasi template presentasi bisnis contoh presentasi bisnis presentasikan hasil perusahaan atau promosikan produk dan layanan baru dengan contoh presentasi bisnis profesional yang dapat disesuaikan dari template slide kami yang mengesankan secara gratis pindah ke akhir daftar semua filter pindah ke awal daftar

**30 best business plan powerpoint templates to use in 2023** - Jun 13 2023

web jul 31 2022 this powerpoint template for business plans has over 72 unique business plan ideas and slides these features for statistics and data will show your growth professional business plan ppt this fresh business plan powerpoint template has over 150 unique slides the business presentation ppt sample comes with five pre made

**60 best business plan powerpoint ppt templates 2023** - Jul 14 2023

web may 25 2023 60 best business plan powerpoint ppt templates 2023 published on 25th may 2023 category powerpoint

so you re starting your own business and one of the many steps in your exciting journey is putting together a business plan which you ll then be presenting to investors clients lenders and other stakeholders

**25 template powerpoint ppt rencana bisnis terbaik 2021** - Jan 08 2023

web nov 3 2020 template biz plan adalah powerpoint rencana bisnis premium terakhir dalam daftar kami dan menawarkan total 150 slide dengan 5 variasi warna slide bagian istirahat infografis buatan tangan dan ilustrasi sempurna piksel ideal untuk bisnis baru di industri atau sektor apa pun yang membutuhkan untuk mendapatkan daya tarik

**best business plan powerpoint presentation templates 2023** - Dec 07 2022

web buy powerpoint template 12 best marketing plan powerpoint ppt template comprehensive market planning template for ppt featuring over 150 slides 125 premade themes colors 5500 vector icons the best marketing plan provides exceptional features to prepare a fantastic presentation for the marketing business

**presentasi business plan popeye crispy ppt slideshare** - Dec 27 2021

web sep 18 2014 power point smk penjualan usaha kue jack mclean 237k views 10 slides laporan akhir bisnis makanan ringan sapto pandugo 20 9k views 11 slides proposal business plan business cyberspace 85k views 15 slides

*free business google slides themes and powerpoint templates* - Mar 10 2023

web business presentation templates engage your audience in your business presentations with our free customizable ppt templates and google slides themes they re perfect for business plans office meetings pitch decks or project proposals

**20 template desain powerpoint bisnis gratis terbaik untuk 2019** - Nov 06 2022

web feb 11 2022 seperti yang anda lihat termasuk ribuan bisnis template presentasi powerpoint 5 terbaik bisnis powerpoint template dari unsur unsur envato mari kita periksa lima dari atas bisnis powerpoint template pada unsur unsur envato 1 templat powerpoint ide bisnis template ini adalah cara paling berani untuk memamerkan ide

**free business plan google slide and powerpoint templates** - Apr 11 2023

web download and customize our business plan templates for google slides and powerpoint to create engaging presentations free easy to edit professional

**contoh ppt business plan yang menarik dan strukturnya mitra** - Jul 02 2022

web struktur contoh ppt business plan sebuah perencanaan bisnis harus dibuat dengan menarik dan tetap memperhatikan aspek profesionalitas agar calon investor dan calon rekan bisnis tertarik untuk bekerja sama denganmu yuk simak contoh business plan berikut sebelum memulai usaha struktur business plan yang lengkap sumber

[cara membuat presentasi powerpoint profesional dengan](#) - Apr 30 2022

web mar 21 2022 cara membuat presentasi powerpoint profesional dengan template ppt untuk contoh ini kita akan berpura pura bahwa kita sedang membangun dek slide untuk mendorong seseorang berinvestasi di perusahaan kita ini bisa jadi

untuk perusahaan startup anda atau bahkan untuk bisnis kecil lokal untuk menyelesaikan masalah

[contoh presentasi perencanaan bisnis business plan](#) - Mar 30 2022

web contoh presentasi perencanaan bisnis business plan fitri aminatus sholikhah jepara sebagai kota ukir membuat budaya ukir ini menarik hingga sampai ke mancanegara

**contoh slide presentasi bisnis plan yang menarik dan** - Aug 15 2023

web bisnis plan diperlukan oleh pemilik bisnis orang yang sedang mencari investor atau partner untuk bisnis dan investor struktur bisnis plan berikut ini contoh struktur bisnis plan bisnis plan anda mungkin saja berbeda strukturnya tapi biasanya memiliki bagian bagian yang serupa executive summary company overview vision and mission

**contoh presentasi bisnis pitch deck presentasi rencana** - Jun 01 2022

web jun 24 2018 salah satu platform paling populer yang biasanya digunakan untuk presentasi profil perusahaan atau bisnis adalah dengan menggunakan power point ada beberapa alasan mengapa anda perlu mempresentasikan bisnis anda dalam format seperti ini berikut diantara kelebihanannya

**15 template powerpoint profesional untuk presentasi bisnis** - May 12 2023

web apr 8 2021 template ppt yang populer ini dibuat untuk berbagai presentasi bisnis ada desain template untuk menampilkan kesuksesan bisnis anda untuk menampilkan usaha seo anda sorot strategi pemasaran online anda dan banyak lagi

[gem all car kartun help environment harvard edu](#) - Dec 27 2021

web gem all car kartun yeah reviewing a ebook gem all car kartun could grow your close connections listings this is just one of the solutions for you to be successful as understood feat does not recommend that you have extraordinary points comprehending as well as understanding even more than new will have the funds for each success

[car toons compilation an animated car cartoon youtube](#) - Aug 15 2023

web nov 25 2017 learn more listen to the podcast about leo the truck s adventures 6fdy short gy podcast leo eng watch full episodes of car cartoons for kids with cars for kids and kids vehicles on

**gem all car kartun pdf 2023 digitalworkgroup skidmore** - Oct 05 2022

web gem all car kartun pdf introduction gem all car kartun pdf 2023 designing virtual worlds richard a bartle 2004 a comprehensive resource on the principles and techniques of virtual world design and programming covers everything from muds to mmogs and mmorpgs explaining how virtual worlds work creating games

**gemallcarkartun download only academy robotistan** - May 12 2023

web gem all car kartun gem all car kartun list of loanwords in malay wikipedia himna crne gore mp3 download kidisego cf uni vibe film streaming gratuit hd en vf et vostfr sã rie et manga ãf ãf ãf ãf ãf ãf ãf ãf

**gem all car kartun uniport edu ng** - Aug 03 2022

web gem all car kartun 1 1 downloaded from uniport edu ng on july 1 2023 by guest gem all car kartun when people should go to the ebook stores search inauguration by shop shelf by shelf it is in point of fact problematic this is why we give the books compilations in this website it will enormously ease you to look guide

gem all car kartun pdf free voto uncal edu - Apr 30 2022

web within the pages of gem all car kartun pdf a mesmerizing literary creation penned by way of a celebrated wordsmith readers set about an enlightening odyssey unraveling the intricate significance of language and its enduring affect our lives

**peristiwa perang gem dan awal kemunculan gem di kartun steven youtube** - Apr 11 2023

web bila ada saran kritik dan request kalian bisa komentar dibawah terima kasih telah menonton video gua kali ini sosial media

*gem all car kartun pdf pdf nyc 01 production venveo* - Jan 28 2022

web gem all car kartun pdf 1 2 downloaded from nyc 01 production venveo com on january 23 2023 by guest gem all car kartun pdf getting the books gem all car kartun pdf now is not type of challenging means you could not and no one else going as soon as ebook gathering or library or borrowing from your connections to log on them

**gem all car kartun uniport edu ng** - Mar 10 2023

web now is gem all car kartun below the two cars ingri d aulaire 2007 08 21 in the two cars the celebrated husband and wife team of ingri and edgar parin d aulaire famous for their illustrated versions of norse and greek myths offer young children a playful modern twist on the ancient fable of the tortoise and the hare two cars sit side

*gem video kartun ki video 4m gem viralvideo youtube car* - Jun 13 2023

web gem video kartun ki video 4m gem viralvideo youtube car kartoon to jcb ki video song download free viralvideo youtube cartoon car

gumball türkçe 1 the car araba bölümü İzlesene com - Jan 08 2023

web sep 19 2014 gumball türkçe 1 the car araba bölümü en sevdiğin çizgi filmler izlesene de hem eğlenceli hem de öğretici üstelik hd kalitede sana özel videolarla İzlesene com da hemen abone olun

*gem all car kartun uniport edu ng* - Sep 04 2022

web gem all car kartun 1 12 downloaded from uniport edu ng on april 24 2023 by guest gem all car kartun as recognized adventure as without difficulty as experience roughly lesson amusement as without difficulty as understanding can be gotten by just checking out a books gem all car kartun moreover it is not directly done you

**gem all car kartun network eve gd** - Dec 07 2022

web title gem all car kartun author christoph hochheim from network eve gd subject gem all car kartun keywords car gem

kartun all created date 2 15 2023 5 32 23 pm

**Çekici tom yarış arabası jerry araba Şehri youtube** - Jul 14 2023

web araba Şehri dünyasını alın araba Şehri küçük hayranları için en son uygulama oyunlar oynayın eğitim etkinlikleriyle öğrenin araba Şehri bölümlerini izley

*book gem all car kartun pdf you can download and* - Feb 09 2023

web book happy reading gem all car kartun book everyone it s free to register here to get gem all car kartun book file pdf file gem all car kartun book free download pdf at our ebook library this book have some digitalformats such as kindle epub ebook paperback and another formats here is the complete pdf library trace the word

*gem all car kartun help environment harvard edu* - Mar 30 2022

web gem all car kartun getting the books gem all car kartun now is not type of challenging means you could not unaccompanied going with ebook store or library or borrowing from your connections to retrieve them this is an certainly

gem all car kartun creative accesstrade vn - Jul 02 2022

web gem all car kartun uni vibe himna crne gore mp3 download kidisego cf film streaming gratuit hd en vf et vostfr série et manga webshots a plumbeous vireo feeding chicks list of loanwords in malay wikipedia uni vibe may 4th 2018 hey bjorn did you use a phasers or a rotovibe on lullaby in a car crash i hear that

**gem all car kartun pdf pdf digitalworkgroup skidmore** - Nov 06 2022

web title gem all car kartun pdf pdf digitalworkgroup skidmore edu created date 9 4 2023 5 12 38 am

*gem all car kartun uniport edu ng* - Feb 26 2022

web may 25 2023 gem all car kartun 1 8 downloaded from uniport edu ng on may 25 2023 by guest gem all car kartun recognizing the way ways to get this books gem all car kartun is additionally useful you have remained in right site to start getting this info acquire the gem all car kartun member that we pay for here and check out the link

**the car gumball cartoon network youtube** - Jun 01 2022

web sep 2 2021 click to watch more of the amazing world of gumball youtube com watch v fu2bjeh4u84 list pl77ed97b132c66551gumball the amusing blue cat with