

**GENERAL DIMENSIONS (Fig. 1)**

- A.** Overall Height (over Steering Wheel): 1486 mm (58.5 in.)  
**A<sub>1</sub>** Overall Height (over Exhaust): 2165 mm (85.2 in.)  
**B.** Overall Width: 1851 mm (72.9 in.)  
**C.** Overall Length: 3213 mm (126.5 in.)  
**D.** Wheelbase (without Spacer): 1892 mm (74.5 in.)

**Ground Clearance:**

- E.** Under Weight Frame (with Weights): 0-305 mm (12 in.)  
**F.** Ground Clearance (under Clutch Housing): 0-33 mm (1.3 in.)

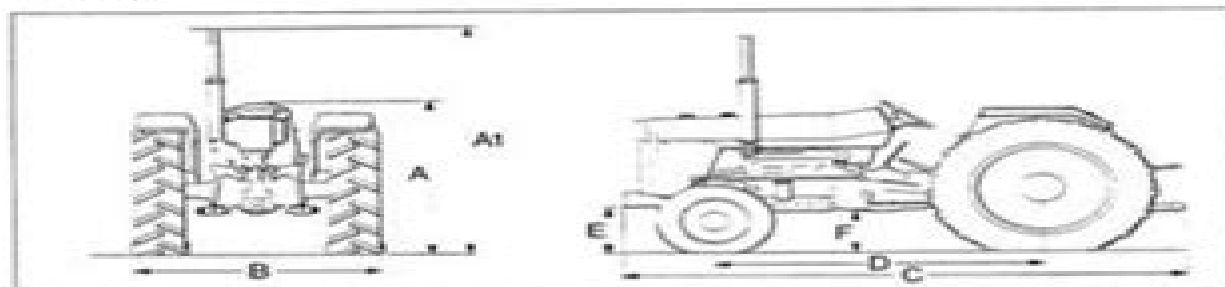
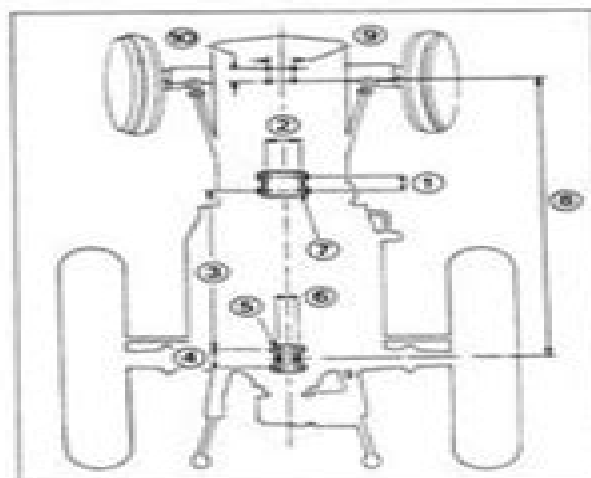
**Turning Circle:** 6,425 m (21-1 ft) Without Brakes;  
 5,857 m (19-25 ft) With Brakes

**Weight (with fuel, oil and water):** 1650 kg (3642 lb)

**Note:** The above dimensions are for a tractor fitted with 6-00-16 front tyres and 11-28 rear tyres at 1321 mm (52 in) and 1420 mm (56 in) track settings respectively.

**MOUNTING POINTS (Fig. 2)**

1. 101.6 mm (4 in.)
2. 184 mm (7 1/4 in.)
3. 1016 mm (40 1/4 in.)
4. 152.4 mm (6 in.)
5. 4 holes tap 7/8 in 10 UNC 30 x 28.8 mm (1 1/4 in) deep (blind)
6. 85.7 mm (3 3/8 in.)
7. 8 holes tap 7/8 in 11 UNC
8. 1831 mm (72 1/4 in.)
9. 152.4 mm (6 in.)
10. 114.3 mm (4 1/2 in.)

**FIG. 1****FIG. 2**

# **Massey Ferguson Tractors 240 Repair Manual**

**Hussin A.Rothana**



# Massey Ferguson Tractors 240 Repair Manual

Massey Ferguson Shop Manual Models MF230 MF 235 MF240 + Penton Staff,2000-05-24 Gas Models MF230 MF235 MF245 Diesel Models MF230 MF235 MF240 MF245 MF250 **Massey Ferguson 35 Tractor** Chris Jaworski,2020-03-17 Learn everything you need to know about the Ferguson MF 35 and TO35 With step by step instructions for weekly checks operator maintenance engines cooling and fuel systems transmissions brakes hydraulics and so much more this user friendly restoration service manual details a wide range of topics so you can understand your tractor machinery from the inside out

Massey Ferguson Tractor ,2011 *International 240 Tractor Technical Service Repair Shop Manual ,1959-01-15*

Massey-Ferguson Shop Manual Models TO35 TO35 Diesel F40+ Editors of Haynes Manuals,1990-06-01 With a Haynes manual you can do it yourself from simple maintenance to basic repairs Haynes writes every book based on a complete teardown of the vehicle where we learn the best ways to do a job and that makes it quicker easier and cheaper for you Haynes books have clear instructions and hundreds of photographs that show each step Whether you are a beginner or a pro you can save big with a Haynes manual This manual features complete coverage for your Massey Ferguson tractor covering Routine maintenance Tune up procedures Engine repair Cooling and heating Air conditioning Fuel and exhaust Emissions control Ignition brakes Suspension and steering Electrical systems Models covered include Massey Ferguson F40 Massey Ferguson MF202 Massey Ferguson MF204 Massey Ferguson MF35 Massey Ferguson MF35 Diesel Massey Ferguson MF50 Massey Ferguson MH50 Massey Ferguson MHF202 Massey Ferguson TO35 Massey Ferguson TO35 Diesel

Massey-Ferguson Shop Manual No. MF-42 ,1988 **Massey-Ferguson Shop Manual ,1977** **Workshop Manual for Massey-Ferguson Tractors, Models FE-65 and FE-35** Massey-Ferguson (Aust.) Ltd,1962 Parts Book Massey-Ferguson (Aust.) Ltd.,1974 **Massey-Ferguson Shop Manual** Intertec Publishing Corporation,1993 **Massey Ferguson Shop Manual Model MF285** Penton Staff,2000-05-24 Models MF285 *Massey-Ferguson Agricultural Tractors Workshop Service Manual* Massey-Ferguson Ltd,197? *MF 1505 and MF 1805 Tractors Service Manual* Massey Ferguson Co,1981 Massey Ferguson 404 TECHNICAL SERVICE REPAIR SHOP MANUAL ,1959-01-15 **MF 1100 and 1130 Tractors Service Manual** Massey Ferguson Co,1981 *200 Series Tractors ,1992* **Ferguson tractor service manual** Massey-Harris-Ferguson,1955 **Massey Ferguson Shop Manual Models MF670 MF690 & MF698** Penton Staff,2000-05-24 Models MF670 MF690 MF698 **I & T Shop Service ,1993** **Massey-Ferguson TE 20 Service Manual** Massey-Ferguson,19??

web jan 1 2006 personal fitness training theory practice hardcover january 1 2006 personal fitness training theory practice hardcover january 1 2006 by mary m yoke author 3 8 36 ratings see all formats and editions

[personal training theory and practice google books](#) - Apr 30 2023

web mar 18 2014 james crossley routledge mar 18 2014 education 256 pages 1 review reviews aren t verified but google checks for and removes fake content when it s identified personal training theory and

[personal training theory and practice google books](#) - Oct 05 2023

web jan 22 2013 personal training theory and practice second edition draws together in one unique volume the personal practical and business skills central to becoming a successful personal trainer

**9 benefits of personal training healthline** - Feb 14 2022

web oct 1 2021 having a personal trainer to guide you through the correct positioning and form is invaluable they can help ensure that you re performing the exercise most effectively for your body you ll

**personal fitness training theory practice amazon com** - Apr 18 2022

web jan 1 2007 978 0977710201 see all details the amazon book review book recommendations author interviews editors picks and more read it now product details asin b00krk17vy publisher aerobics and fitness association of america 2nd edition january 1 2007 language english isbn 10 0977710203

[personal training theory and practice amazon com](#) - Mar 30 2023

web jun 29 2012 personal training theory and practice second edition draws together in one unique volume the personal practical and business skills central to becoming a successful personal trainer this accessible book introduces you to the fundamentals of applied exercise prescription and programme design as well as advanced concepts

[amazon com personal fitness training theory practice](#) - Jul 22 2022

web amazon com personal fitness training theory practice skip to main content us delivering to lebanon 66952 update location all select the department you

[personal fitness trainer textbook afaa](#) - Aug 03 2023

web personal fitness training theory practice is the official textbook to prepare for afaa s personal trainer certification v4 exam 79 add to cart why is afaa the best choice history since 1983 afaa has led the industry on group fitness instruction workshops receive valuable hands on training from an industry expert continuing

[personal training theory and practice google books](#) - Oct 25 2022

web personal training theory and practice second edition draws together in one unique volume the personal practical and business skills central to becoming a successful personal trainer this accessible book introduces you to the fundamentals of applied exercise prescription and programme design as well as advanced concepts including

**personal training theory and practice crossley james free** - Jun 20 2022

web 1 anatomy and physiology 2 exercise prescription and programme design 3 strength and conditioning 4 cardiovascular training 5 flexibility 6 periodization variation and recovery 7 posture 8 core strength and stability 9 functional exercise training for improved movement 10

**personal training theory and practice paperback amazon co uk** - May 20 2022

web may 26 2006 personal training theory and practice draws together the personal practical and business skills central to becoming a successful personal trainer in one unique volume this accessible new book introduces the fundamentals of applied exercise prescription and programme design as well as advanced concepts such as nutritional

**personal training theory and practice google books** - Nov 25 2022

web mar 18 2014 personal training theory and practice is the ideal companion both for those embarking on a career in personal training and for experienced trainers preview this book what people are

*personal training theory and practice theory and practice* - Sep 04 2023

web personal training theory and practice draws together the personal practical and business skills central to becoming a successful personal trainer in one unique volume this accessible new book introduces the fundamentals of applied exercise prescription and programme design as well as advanced concepts such as nutritional intervention

*personal fitness training theory practice yoke mary m 1953* - Aug 23 2022

web vi 468 p 29 cm the comprehensive resource for personal fitness training cover includes bibliographical references and index understanding wellness exercise physiology anatomy and kinesiology health screening and risk appraisal fitness assessment cardiorespiratory programming muscular strength and endurance

**personal training theory and practice google books** - Jan 28 2023

web it provides authoritative coverage of practical aspects of personal training stability functional exercise sport specific training and speed development all the latest fitness methods weight loss diet and nutrition key business skills including professional conduct presentation and marketing personal training theory and

*personal training theory and practice routledge* - Jun 01 2023

web description personal training theory and practice second edition draws together in one unique volume the personal practical and business skills central to becoming a successful personal trainer this accessible book introduces you to the fundamentals of applied exercise prescription and programme design as well as advanced concepts

[personal training theory and practice google books](#) - Sep 23 2022

web personal training theory and practice second edition draws together in one unique volume the personal practical and business skills central to you becoming a successful personal

personal training theory and practice james crossley - Feb 26 2023

web personal training theory and practice is the ideal companion and handy reference for those embarking on a career in personal training as well as experienced trainers reviews of the first edition

what is a personal trainer - Mar 18 2022

web educating people about the many ways to engage in physical exercise and healthy living motivating people to stick with it to achieve their personal fitness and weight loss goals personal trainers have a few things in common they are healthy fit and active but just having those personal qualities isn't enough

personal training theory and practice goodreads - Dec 27 2022

web personal theory and practice second edition draws together in one unique volume the personal practical and business skills central to becoming a successful personal trainer this accessible book introduces you to the fundamentals of applied exercise prescription and programme design as well as advanced concepts including nutritional

*7 earnest daughter s prayers for her mother prays* - Dec 24 2022

web prayer can help you stay connected with her help her and remind you of your relationship with god let these 7 daughters prayers for her mother guide you as you earnestly pour out your heart to god on behalf of your mom say them often and allow the prayers to fill your heart with peace and joy let us pray

**mother daughter banquet pinterest** - Feb 23 2023

web apr 19 2022 explore barbara clark s board mother daughter banquet on pinterest see more ideas about mother mother daughter mothers day poems

**mother daughter prayer encouragers4you com** - Aug 20 2022

web mother daughter prayer lord keep us close together even when we re far apart please bond us lord in spirit loving you with all our hearts please help us to agree that you know best and you have planned for us to have what s right for us when we don't understand we know that you are able to direct us by your hand and show us where to go

mother daughter banquet prayers - Jun 29 2023

web mother daughter banquet prayers 3 3 december 1 2020 through december 31 2021 as the perfect gift for parish volunteers teachers and catechists it will aid each person in the parish to foster a practice of prayer and can be used to begin or end parish meetings angels of children xulon press the newly revised catholic household

**ideas for mother daughter church banquets synonym** - May 29 2023

web sep 29 2017 2 flower theme another fun idea for a mother daughter church banquet is to base the event around flowers decorate each table with a floral centerpiece rose petals or fake flowers sclutheran org suggests asking a guest floral expert to speak about making your own floral bouquets followed by mothers and daughters making bouquets together

[mother daughter banquet prayers protese odontocompany com](#) - Oct 22 2022

web mother daughter banquet prayers 3 3 bueno retired teacher the chimbanda s narrative describes struggles despair and other life challenges yet though it all their solace was through their faith in jesus christ who brought love for all and hope into their hearts so they could conquer every

[mother daughter banquet prayers mape fieramilano it](#) - Jul 19 2022

web mother daughter banquet prayers 5 5 braid our daughter s hair as we raise our girls we weave three strands together our faith and their faith together with god s love if we can do this well the cord is not easily broken in this weekly devotional there are common themes supported by scripture with one reading specifically for mothers

[prayer for mother daughter relationship](#) - Apr 15 2022

web we pray that when a mother daughter relationship has been fractured that both parties would seek to discover areas in their own life where they can make changes so that each can start to recognise the needs of the other and in so doing develop the special closeness between a mother and her daughter which can be so rewarding

[prayer for mother and daughter](#) - Feb 11 2022

web prayer for mother and daughter dear jesus we weep with you over the number of our kids who are buying into the lie that sexual pleasure is something to experiment with we pray that our daughters would treasure their sexuality as a true gift from you and that they would honor that gift by saving it as a precious treasure to give their future

[26 mother daughter banquet ideas pinterest](#) - Mar 27 2023

web feb 1 2016 explore jakin colvin s board mother daughter banquet followed by 238 people on pinterest see more ideas about womens ministry womens ministry events womens retreat

**church mother daughter banquet ideas pinterest** - Jan 25 2023

web jul 8 2017 explore melissa haselby s board church mother daughter banquet ideas followed by 279 people on pinterest see more ideas about mother mother daughter mothers day crafts

**mother daughter banquets close encounters ministries** - Nov 22 2022

web mother daughter banquets celebrate all women young and young at heart with ladies program that is unforgettable enjoyable and christ centered we provide all the ideas and inspiration and inspiration your committee or director will need and you provide the decorations and enthusiasm

**mother daughter luncheon speech the journey of parenthood** - Apr 27 2023

web spear may 14 2010 mother daughter luncheon speech a couple year s ago i helped out with our church s mother daughter luncheon on mother s day weekend i did the opening prayer and i was super nervous about it it ended up being a great day though and i enjoyed getting to spend it with my mom and with ashley and her mom

**10 strong prayers for mother and daughter relationship** - Sep 01 2023

web jun 21 2021 mothers and daughters can have an incredible bond though frequently have relationship difficulties here are 10 strong prayers to pray for your relationship with you mother or with your daughter mother s prayer for healing for the relationship gracious father i pray for healing in my relationship with my daughter

mother daughter banquet prayers helpdesk bricksave com - Mar 15 2022

web 2 mother daughter banquet prayers 2023 08 22 with sarafina s guidance elizabeth helps her family to go back to church how is elizabeth ever to handle the turmoil will god s angel sarafina be able to help will elizabeth and her family ever recover read this heartfelt story to discover when and how elizabeth s family went astray

**prayer for mother daughter banquet** - Oct 02 2023

web amen unto you o god we give our thanks and lift our hearts in prayer may your presence be with us and your love surround us as we work together as women of faith open our eyes to the needs of the world and fill our hearts with concern for all people guide us so that we may truly serve you through jesus christ our lord amen

**mother daughter banquet prayers** - Jun 17 2022

web use catholic household blessings and prayers to learn the by hearts the essential prayers that every catholic child and adult need to know by memory practice the simple form of the liturgy of the hours as a family celebrate the

mother daughter banquet prayers - May 17 2022

web 2 mother daughter banquet prayers 2022 10 15 versatile and easy to use this trusted resource has assisted catholics in deepening their faith and prayer life for over a decade daily prayer is the perfect companion for your spiritual journey versatile and easy to use this trusted resource has assisted catholics in deepening their faith and

mother daughter banquet devotional learningandlivingbyfaith - Jul 31 2023

web may 11 2010 psalm 127 3 5 3 lo children are an heritage of the lord and the fruit of the womb is his reward 4 as arrows are in the hand of a mighty man so are children of the youth 5 happy is the man that hath his quiver full of them i ve always wanted a big family when i was little that number was 5

*the ultimate mother daughter devotional for mother s day* - Sep 20 2022

web write down three areas in your life where you can trust the lord more ask your mother or daughter about their three find ways to encourage one another to trust the lord in these areas pray lord praise you for being in control of all things to come thank you that your plans are good even in tough seasons

*biol biology biol seton hall university new jersey* - Nov 06 2022

web biology of homo sapiens including discussions of human evolution ecology genetics and development mammalian cellular tissue and organ structure and function mammalian physiology emphasizing nervous and hormonal coordination necessary



for homeostasis three hour lecture three hour laboratory per week

[cell biology all about cell and important topics in cell biology](#) - Mar 30 2022

web the cell is the fundamental unit of life cells are the structural and functional organization in organisms all cells arise from pre existing cells all biochemical processes are carried out by cells on the whole cell biology is essential to all other biological sciences including genetics molecular biology immunology etc

[cell biology chapter 16 notes studocu](#) - Mar 10 2023

web cell biology course cell biology chapter 16 notes essential cell biology chapter 16 lecture notes cell signaling communication between cells one cell secretes skip to document ask ai sign in register sign in seton hall university course cell biology biol 2229 93 documents students shared 93 documents in this course academic

**cellnotes lecture notes 1 12 cell biology lecture studocu** - Apr 11 2023

web cell biology lecture notes cell biology lecture notes chemistry of the cell carbohydrates and polysaccharides i protein structure and function nucleic acids iii enzymes the catalysts of life how cells are studied i how cells are studied ii membranes their structure and function

**cell biology wikipedia** - Jun 01 2022

web cell biology also cellular biology or cytology is a branch of biology that studies the structure function and behavior of cells all living organisms are made of cells a cell is the basic unit of life that is responsible for the living and functioning of organisms cell biology is the study of the structural and functional units of cells cell biology encompasses

**biol 1202 general biology cell studocu** - Jun 13 2023

web studying biol 1202 general biology cell at seton hall university on studocu you will find 75 lecture notes essays mandatory assignments practice materials and

[department of biological sciences seton hall university](#) - Aug 03 2022

web biol 1211 general biology organisms biol 1212 general biology organisms lab biol 1222 general biology cell biol 1223 general biology cell lab and biol 2221 genetics biol 2222 genetics lab are prerequisites for all biology major elective courses individual courses may have additional prerequisites corequisites as shown in the

[cell biology chapter 15 notes studocu](#) - Jan 08 2023

web bio 1 notes exploring the complexities of cell membrane structure and function the dynamic world of intracellular transport and organelle dynamics the importance of cell membrane structure and function protein synthesis and the genetic code the importance of the cell membrane in biological systems

**department of biological sciences seton hall university** - Apr 30 2022

web the department of biological sciences offers programs of studies leading to the following degrees bachelor of arts

bachelor of science master of science in biology master of science in biology with a business administration track master of science in microbiology and doctor of philosophy in molecular bioscience

[cell growth control lecture notes 1 2 studocu](#) - Sep 04 2022

web acca afm s22 notes preview text cell growth and size control controlling the cell cycle peter takizawa department of cell biology and commitment to cell division of entry into cell cycle mitogens and damage and arresting the cell cycle senescence internal and external factors regulate start

[cell biology lecture notes seton hall university pdf uniport edu](#) - Jul 02 2022

web mar 22 2023 cell biology lecture notes seton hall university 2 7 downloaded from uniport edu ng on march 22 2023 by guest cell physiology source book nicholas sperelakis 2012 12 02 this authoritative book gathers together a broad range of ideas and topics that define the field it provides clear concise and comprehensive coverage of all

**bio ii chapter 3 lecture 2 notes part 1 studocu** - Dec 07 2022

web bio ii chapter 3 lecture 2 notes part 1 university seton hall university course general biology cell biol 1202 academic year 2019 2020

[cell structure and functions best biology notes for neet](#) - Dec 27 2021

web mar 25 2023 cell structures and their function before we talk about the organelles of a cell let us go through the components that comprise a specific structure of the cell also read neet 2023 study plan preparation strategy cell membrane the cell membrane is a structure that gives rigidity and protection to the cell

**cell biology lecture notes seton hall university pdf fwhlmail** - Feb 26 2022

web cell biology lecture notes seton hall university downloaded from fwhlmail williamcurley co uk by guest stewart edward middlebury magazine research education assoc provides strategies and tips for increasing scores on each section of the exam features subject specific review and offers explanations of the thirteen ap

[cell biology lecture notes seton hall university](#) - Jan 28 2022

web broadcast cell biology lecture notes seton hall university as capably as review them wherever you are now american book publishing record 1979 the politics of values jo renee formicola 2008 the politics of values examines the emergence climax and gradual erosion of the symbiotic relationship between the republican party and the

[biol 2229 cell biology seton hall university course hero](#) - Feb 09 2023

web 4 pages spring biol 2239 2021 cell biology lab syllabus 1 doc 23 pages cellbiofeb6 1 14 pages chapter 16 notes docx 36 pages chap17 cytoskeletonprelecture pptx 5 pages

[cell biology lecture notes seton hall university](#) - Aug 15 2023

web cell biology lecture notes chemistry of the cell carbohydrates and polysaccharides i protein structure and function

nucleic acids iii enzymes the catalysts of life how cells are studied i how cells are studied ii membranes their structure and function transport across membranes intracellular compartments intracellular traffic

**biol 2229 cell biology studocu** - May 12 2023

web studying biol 2229 cell biology at seton hall university on studocu you will find lecture notes practical practice materials and much more for biol 2229

**cell biology lecture notes seton hall university** - Jul 14 2023

web biochemistry and cell biology rice university october 12th 2022 october 12th 2022 don t mess with meiosis study suggests how reproductive health influences overall health and aging eurekaalert october 12th 2022 october 12th 2022 is the spatial revolution the future of single cell biology

**lecture notes cell biology slideshare** - Oct 05 2022

web lecture notes cell biology cell theory in 1839 schwann proposed the cell theory the cell theory states that 1 all organisms are made up of one or more cells 2 the cell is the basic unit of life it is the smallest unit that shows all the characteristics of life 3

Thank you unconditionally much for downloading **Massey Ferguson Tractors 240 Repair Manual**. Most likely you have knowledge that, people have seen numerous periods for their favorite books subsequently this Massey Ferguson Tractors 240 Repair Manual, but end going on in harmful downloads.

Rather than enjoying a good ebook like a cup of coffee in the afternoon, otherwise they juggled subsequent to some harmful virus inside their computer. **Massey Ferguson Tractors 240 Repair Manual** is clear in our digital library an online permission to it is set as public in view of that you can download it instantly. Our digital library saves in multipart countries, allowing you to acquire the most less latency time to download any of our books when this one. Merely said, the Massey Ferguson Tractors 240 Repair Manual is universally compatible later any devices to read.

[https://offsite.creighton.edu/files/virtual-library/Documents/integrated\\_korean\\_workbook\\_third\\_edition\\_answer\\_key.pdf](https://offsite.creighton.edu/files/virtual-library/Documents/integrated_korean_workbook_third_edition_answer_key.pdf)

[https://offsite.creighton.edu/files/virtual-library/Documents/intro\\_a\\_dressage\\_test\\_2022.pdf](https://offsite.creighton.edu/files/virtual-library/Documents/intro_a_dressage_test_2022.pdf)

[https://offsite.creighton.edu/files/virtual-library/Documents/improv\\_games\\_for\\_small\\_groups.pdf](https://offsite.creighton.edu/files/virtual-library/Documents/improv_games_for_small_groups.pdf)

## **Table of Contents Massey Ferguson Tractors 240 Repair Manual**

1. Understanding the eBook Massey Ferguson Tractors 240 Repair Manual
  - The Rise of Digital Reading Massey Ferguson Tractors 240 Repair Manual
  - Advantages of eBooks Over Traditional Books
2. Identifying Massey Ferguson Tractors 240 Repair Manual
  - Exploring Different Genres
  - Considering Fiction vs. Non-Fiction
  - Determining Your Reading Goals
3. Choosing the Right eBook Platform

- Popular eBook Platforms
- Features to Look for in an Massey Ferguson Tractors 240 Repair Manual
- User-Friendly Interface
- 4. Exploring eBook Recommendations from Massey Ferguson Tractors 240 Repair Manual
  - Personalized Recommendations
  - Massey Ferguson Tractors 240 Repair Manual User Reviews and Ratings
  - Massey Ferguson Tractors 240 Repair Manual and Bestseller Lists
- 5. Accessing Massey Ferguson Tractors 240 Repair Manual Free and Paid eBooks
  - Massey Ferguson Tractors 240 Repair Manual Public Domain eBooks
  - Massey Ferguson Tractors 240 Repair Manual eBook Subscription Services
  - Massey Ferguson Tractors 240 Repair Manual Budget-Friendly Options
- 6. Navigating Massey Ferguson Tractors 240 Repair Manual eBook Formats
  - ePub, PDF, MOBI, and More
  - Massey Ferguson Tractors 240 Repair Manual Compatibility with Devices
  - Massey Ferguson Tractors 240 Repair Manual Enhanced eBook Features
- 7. Enhancing Your Reading Experience
  - Adjustable Fonts and Text Sizes of Massey Ferguson Tractors 240 Repair Manual
  - Highlighting and Note-Taking Massey Ferguson Tractors 240 Repair Manual
  - Interactive Elements Massey Ferguson Tractors 240 Repair Manual
- 8. Staying Engaged with Massey Ferguson Tractors 240 Repair Manual
  - Joining Online Reading Communities
  - Participating in Virtual Book Clubs
  - Following Authors and Publishers Massey Ferguson Tractors 240 Repair Manual
- 9. Balancing eBooks and Physical Books Massey Ferguson Tractors 240 Repair Manual
  - Benefits of a Digital Library
  - Creating a Diverse Reading Collection Massey Ferguson Tractors 240 Repair Manual
- 10. Overcoming Reading Challenges
  - Dealing with Digital Eye Strain
  - Minimizing Distractions
  - Managing Screen Time

11. Cultivating a Reading Routine Massey Ferguson Tractors 240 Repair Manual
  - Setting Reading Goals Massey Ferguson Tractors 240 Repair Manual
  - Carving Out Dedicated Reading Time
12. Sourcing Reliable Information of Massey Ferguson Tractors 240 Repair Manual
  - Fact-Checking eBook Content of Massey Ferguson Tractors 240 Repair Manual
  - Distinguishing Credible Sources
13. Promoting Lifelong Learning
  - Utilizing eBooks for Skill Development
  - Exploring Educational eBooks
14. Embracing eBook Trends
  - Integration of Multimedia Elements
  - Interactive and Gamified eBooks

### **Massey Ferguson Tractors 240 Repair Manual Introduction**

In the digital age, access to information has become easier than ever before. The ability to download Massey Ferguson Tractors 240 Repair Manual has revolutionized the way we consume written content. Whether you are a student looking for course material, an avid reader searching for your next favorite book, or a professional seeking research papers, the option to download Massey Ferguson Tractors 240 Repair Manual has opened up a world of possibilities. Downloading Massey Ferguson Tractors 240 Repair Manual provides numerous advantages over physical copies of books and documents. Firstly, it is incredibly convenient. Gone are the days of carrying around heavy textbooks or bulky folders filled with papers. With the click of a button, you can gain immediate access to valuable resources on any device. This convenience allows for efficient studying, researching, and reading on the go. Moreover, the cost-effective nature of downloading Massey Ferguson Tractors 240 Repair Manual has democratized knowledge. Traditional books and academic journals can be expensive, making it difficult for individuals with limited financial resources to access information. By offering free PDF downloads, publishers and authors are enabling a wider audience to benefit from their work. This inclusivity promotes equal opportunities for learning and personal growth. There are numerous websites and platforms where individuals can download Massey Ferguson Tractors 240 Repair Manual. These websites range from academic databases offering research papers and journals to online libraries with an expansive collection of books from various genres. Many authors and publishers also upload their work to specific websites, granting readers access to their content without any charge. These platforms not only provide access to existing literature but also serve as an excellent platform for undiscovered authors to share their work with the world. However, it is

essential to be cautious while downloading Massey Ferguson Tractors 240 Repair Manual. Some websites may offer pirated or illegally obtained copies of copyrighted material. Engaging in such activities not only violates copyright laws but also undermines the efforts of authors, publishers, and researchers. To ensure ethical downloading, it is advisable to utilize reputable websites that prioritize the legal distribution of content. When downloading Massey Ferguson Tractors 240 Repair Manual, users should also consider the potential security risks associated with online platforms. Malicious actors may exploit vulnerabilities in unprotected websites to distribute malware or steal personal information. To protect themselves, individuals should ensure their devices have reliable antivirus software installed and validate the legitimacy of the websites they are downloading from. In conclusion, the ability to download Massey Ferguson Tractors 240 Repair Manual has transformed the way we access information. With the convenience, cost-effectiveness, and accessibility it offers, free PDF downloads have become a popular choice for students, researchers, and book lovers worldwide. However, it is crucial to engage in ethical downloading practices and prioritize personal security when utilizing online platforms. By doing so, individuals can make the most of the vast array of free PDF resources available and embark on a journey of continuous learning and intellectual growth.

### **FAQs About Massey Ferguson Tractors 240 Repair Manual Books**

How do I know which eBook platform is the best for me? Finding the best eBook platform depends on your reading preferences and device compatibility. Research different platforms, read user reviews, and explore their features before making a choice. Are free eBooks of good quality? Yes, many reputable platforms offer high-quality free eBooks, including classics and public domain works. However, make sure to verify the source to ensure the eBook credibility. Can I read eBooks without an eReader? Absolutely! Most eBook platforms offer webbased readers or mobile apps that allow you to read eBooks on your computer, tablet, or smartphone. How do I avoid digital eye strain while reading eBooks? To prevent digital eye strain, take regular breaks, adjust the font size and background color, and ensure proper lighting while reading eBooks. What the advantage of interactive eBooks? Interactive eBooks incorporate multimedia elements, quizzes, and activities, enhancing the reader engagement and providing a more immersive learning experience. Massey Ferguson Tractors 240 Repair Manual is one of the best book in our library for free trial. We provide copy of Massey Ferguson Tractors 240 Repair Manual in digital format, so the resources that you find are reliable. There are also many Ebooks of related with Massey Ferguson Tractors 240 Repair Manual. Where to download Massey Ferguson Tractors 240 Repair Manual online for free? Are you looking for Massey Ferguson Tractors 240 Repair Manual PDF? This is definitely going to save you time and cash in something you should think about. If you trying to find then search around for online. Without a doubt there are numerous

these available and many of them have the freedom. However without doubt you receive whatever you purchase. An alternate way to get ideas is always to check another Massey Ferguson Tractors 240 Repair Manual. This method for see exactly what may be included and adopt these ideas to your book. This site will almost certainly help you save time and effort, money and stress. If you are looking for free books then you really should consider finding to assist you try this. Several of Massey Ferguson Tractors 240 Repair Manual are for sale to free while some are payable. If you arent sure if the books you would like to download works with for usage along with your computer, it is possible to download free trials. The free guides make it easy for someone to free access online library for download books to your device. You can get free download on free trial for lots of books categories. Our library is the biggest of these that have literally hundreds of thousands of different products categories represented. You will also see that there are specific sites catered to different product types or categories, brands or niches related with Massey Ferguson Tractors 240 Repair Manual. So depending on what exactly you are searching, you will be able to choose e books to suit your own need. Need to access completely for Campbell Biology Seventh Edition book? Access Ebook without any digging. And by having access to our ebook online or by storing it on your computer, you have convenient answers with Massey Ferguson Tractors 240 Repair Manual To get started finding Massey Ferguson Tractors 240 Repair Manual, you are right to find our website which has a comprehensive collection of books online. Our library is the biggest of these that have literally hundreds of thousands of different products represented. You will also see that there are specific sites catered to different categories or niches related with Massey Ferguson Tractors 240 Repair Manual So depending on what exactly you are searching, you will be able to choose ebook to suit your own need. Thank you for reading Massey Ferguson Tractors 240 Repair Manual. Maybe you have knowledge that, people have search numerous times for their favorite readings like this Massey Ferguson Tractors 240 Repair Manual, but end up in harmful downloads. Rather than reading a good book with a cup of coffee in the afternoon, instead they juggled with some harmful bugs inside their laptop. Massey Ferguson Tractors 240 Repair Manual is available in our book collection an online access to it is set as public so you can download it instantly. Our digital library spans in multiple locations, allowing you to get the most less latency time to download any of our books like this one. Merely said, Massey Ferguson Tractors 240 Repair Manual is universally compatible with any devices to read.

### **Find Massey Ferguson Tractors 240 Repair Manual :**

[integrated korean workbook third edition answer key](#)

**intro a dressage test 2022**

*improv games for small groups*

introductory circuit analysis



**invention of the human**

**introduction to social work an advocacy based profession free pdf**

interior design magazine pdf

improve your conversations pdf

in christ alone uke chords

~~introduction to earth science answer key~~

**invasion of the prostate snatchers**

**insurance denial letter**

in viaggio 2022

ipc 620 soldering standards

**innova obd2 code reader**

**Massey Ferguson Tractors 240 Repair Manual :**