

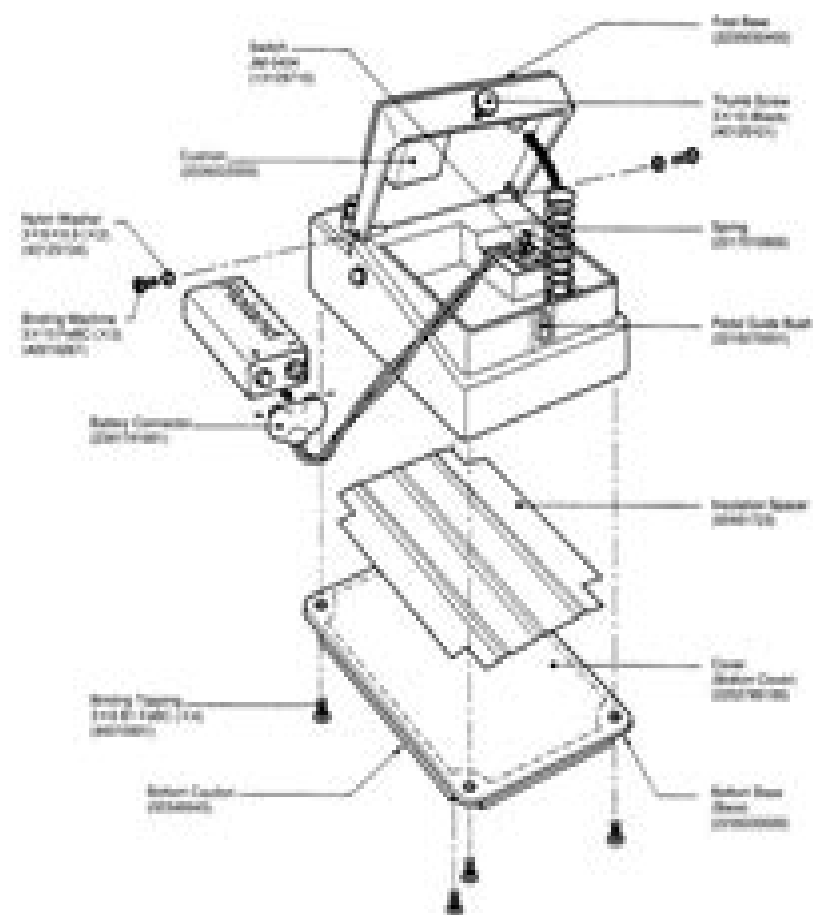
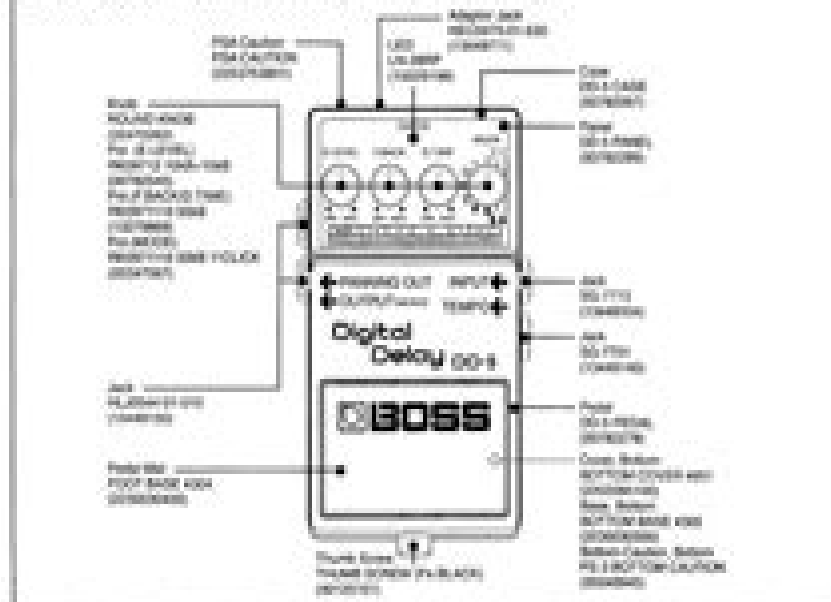
BOSS**DD-5**
Digital Delay**SERVICE NOTES***First Edition*

EXPLODED VIEW / 分解図

SPECIFICATIONS / 仕様

◆Signal processing	24 bit processing (24 bit level)
	24 bit processing (24 bit level) + 1 additional bit level
	24 bit processing (24 bit level)
◆Sampling Frequency	44.1k
◆Sampling Input Level	0dBu
◆Input Impedance	10k Ω
◆Sampling Output Level	0dBu
◆Output Impedance	10k Ω
◆Recommended Load Impedance	10k Ω or greater
◆Minimum Supply	500mA or greater (500V)
	500mA or greater (500V)
	500mA or greater (500V)
◆Current	Standby (100mA), Sleep (100mA), Standby (100mA)
◆Voltage	Standby (100mA), Sleep (100mA), Standby (100mA)
◆Power Supply	9V Adapter (9V 100mA)
	9V Adapter (9V 100mA)
◆Power Line	Standby (100mA)
◆Sleep	Standby (100mA)
◆Standby	Standby (100mA)
◆Noise	Standby (100mA)
	Standby (100mA)
◆Material	9V Adapter (9V 100mA)
	Standby (100mA)

LOCATION OF CONTROLS / パネル配置図



Boss Dd5 Manual

Roman Wölfel



Boss Dd5 Manual

Thank you very much for reading **Boss Dd5 Manual**. Maybe you have knowledge that, people have look numerous times for their chosen books like this Boss Dd5 Manual, but end up in infectious downloads.

Rather than enjoying a good book with a cup of coffee in the afternoon, instead they are facing with some harmful bugs inside their computer.

Boss Dd5 Manual is available in our digital library an online access to it is set as public so you can download it instantly. Our book servers saves in multiple locations, allowing you to get the most less latency time to download any of our books like this one.

Kindly say, the Boss Dd5 Manual is universally compatible with any devices to read

https://offsite.creighton.edu/public/book-search/fetch.php/free_amish_books.pdf

https://offsite.creighton.edu/public/book-search/fetch.php/Friedrich_Der_Grosse.pdf

<https://offsite.creighton.edu/public/book-search/fetch.php/Ftce%20Math%206%201.pdf>

Table of Contents Boss Dd5 Manual

1. Understanding the eBook Boss Dd5 Manual
 - The Rise of Digital Reading Boss Dd5 Manual
 - Advantages of eBooks Over Traditional Books
2. Identifying Boss Dd5 Manual
 - Exploring Different Genres
 - Considering Fiction vs. Non-Fiction
 - Determining Your Reading Goals
3. Choosing the Right eBook Platform
 - Popular eBook Platforms
 - Features to Look for in an Boss Dd5 Manual
 - User-Friendly Interface
4. Exploring eBook Recommendations from Boss Dd5 Manual
 - Personalized Recommendations
 - Boss Dd5 Manual User Reviews and Ratings

- Boss Dd5 Manual and Bestseller Lists
- 5. Accessing Boss Dd5 Manual Free and Paid eBooks
 - Boss Dd5 Manual Public Domain eBooks
 - Boss Dd5 Manual eBook Subscription Services
 - Boss Dd5 Manual Budget-Friendly Options
- 6. Navigating Boss Dd5 Manual eBook Formats
 - ePub, PDF, MOBI, and More
 - Boss Dd5 Manual Compatibility with Devices
 - Boss Dd5 Manual Enhanced eBook Features
- 7. Enhancing Your Reading Experience
 - Adjustable Fonts and Text Sizes of Boss Dd5 Manual
 - Highlighting and Note-Taking Boss Dd5 Manual
 - Interactive Elements Boss Dd5 Manual
- 8. Staying Engaged with Boss Dd5 Manual
 - Joining Online Reading Communities
 - Participating in Virtual Book Clubs
 - Following Authors and Publishers Boss Dd5 Manual
- 9. Balancing eBooks and Physical Books Boss Dd5 Manual
 - Benefits of a Digital Library
 - Creating a Diverse Reading Collection Boss Dd5 Manual
- 10. Overcoming Reading Challenges
 - Dealing with Digital Eye Strain
 - Minimizing Distractions
 - Managing Screen Time
- 11. Cultivating a Reading Routine Boss Dd5 Manual
 - Setting Reading Goals Boss Dd5 Manual
 - Carving Out Dedicated Reading Time
- 12. Sourcing Reliable Information of Boss Dd5 Manual
 - Fact-Checking eBook Content of Boss Dd5 Manual
 - Distinguishing Credible Sources

13. Promoting Lifelong Learning
 - Utilizing eBooks for Skill Development
 - Exploring Educational eBooks
14. Embracing eBook Trends
 - Integration of Multimedia Elements
 - Interactive and Gamified eBooks

Boss Dd5 Manual Introduction

In today's digital age, the availability of Boss Dd5 Manual books and manuals for download has revolutionized the way we access information. Gone are the days of physically flipping through pages and carrying heavy textbooks or manuals. With just a few clicks, we can now access a wealth of knowledge from the comfort of our own homes or on the go. This article will explore the advantages of Boss Dd5 Manual books and manuals for download, along with some popular platforms that offer these resources. One of the significant advantages of Boss Dd5 Manual books and manuals for download is the cost-saving aspect. Traditional books and manuals can be costly, especially if you need to purchase several of them for educational or professional purposes. By accessing Boss Dd5 Manual versions, you eliminate the need to spend money on physical copies. This not only saves you money but also reduces the environmental impact associated with book production and transportation. Furthermore, Boss Dd5 Manual books and manuals for download are incredibly convenient. With just a computer or smartphone and an internet connection, you can access a vast library of resources on any subject imaginable. Whether you're a student looking for textbooks, a professional seeking industry-specific manuals, or someone interested in self-improvement, these digital resources provide an efficient and accessible means of acquiring knowledge. Moreover, PDF books and manuals offer a range of benefits compared to other digital formats. PDF files are designed to retain their formatting regardless of the device used to open them. This ensures that the content appears exactly as intended by the author, with no loss of formatting or missing graphics. Additionally, PDF files can be easily annotated, bookmarked, and searched for specific terms, making them highly practical for studying or referencing. When it comes to accessing Boss Dd5 Manual books and manuals, several platforms offer an extensive collection of resources. One such platform is Project Gutenberg, a nonprofit organization that provides over 60,000 free eBooks. These books are primarily in the public domain, meaning they can be freely distributed and downloaded. Project Gutenberg offers a wide range of classic literature, making it an excellent resource for literature enthusiasts. Another popular platform for Boss Dd5 Manual books and manuals is Open Library. Open Library is an initiative of the Internet Archive, a non-profit organization dedicated to digitizing cultural artifacts and making them accessible to the public. Open Library hosts millions of books, including both public domain works

and contemporary titles. It also allows users to borrow digital copies of certain books for a limited period, similar to a library lending system. Additionally, many universities and educational institutions have their own digital libraries that provide free access to PDF books and manuals. These libraries often offer academic texts, research papers, and technical manuals, making them invaluable resources for students and researchers. Some notable examples include MIT OpenCourseWare, which offers free access to course materials from the Massachusetts Institute of Technology, and the Digital Public Library of America, which provides a vast collection of digitized books and historical documents. In conclusion, Boss Dd5 Manual books and manuals for download have transformed the way we access information. They provide a cost-effective and convenient means of acquiring knowledge, offering the ability to access a vast library of resources at our fingertips. With platforms like Project Gutenberg, Open Library, and various digital libraries offered by educational institutions, we have access to an ever-expanding collection of books and manuals. Whether for educational, professional, or personal purposes, these digital resources serve as valuable tools for continuous learning and self-improvement. So why not take advantage of the vast world of Boss Dd5 Manual books and manuals for download and embark on your journey of knowledge?

FAQs About Boss Dd5 Manual Books

How do I know which eBook platform is the best for me? Finding the best eBook platform depends on your reading preferences and device compatibility. Research different platforms, read user reviews, and explore their features before making a choice. Are free eBooks of good quality? Yes, many reputable platforms offer high-quality free eBooks, including classics and public domain works. However, make sure to verify the source to ensure the eBook credibility. Can I read eBooks without an eReader? Absolutely! Most eBook platforms offer webbased readers or mobile apps that allow you to read eBooks on your computer, tablet, or smartphone. How do I avoid digital eye strain while reading eBooks? To prevent digital eye strain, take regular breaks, adjust the font size and background color, and ensure proper lighting while reading eBooks. What the advantage of interactive eBooks? Interactive eBooks incorporate multimedia elements, quizzes, and activities, enhancing the reader engagement and providing a more immersive learning experience. Boss Dd5 Manual is one of the best book in our library for free trial. We provide copy of Boss Dd5 Manual in digital format, so the resources that you find are reliable. There are also many Ebooks of related with Boss Dd5 Manual. Where to download Boss Dd5 Manual online for free? Are you looking for Boss Dd5 Manual PDF? This is definitely going to save you time and cash in something you should think about. If you trying to find then search around for online. Without a doubt there are numerous these available and many of them have the freedom. However without doubt you receive whatever you purchase. An alternate way to get ideas is always to check another Boss Dd5 Manual. This method for see exactly what may be included and adopt these ideas to your book.

This site will almost certainly help you save time and effort, money and stress. If you are looking for free books then you really should consider finding to assist you try this. Several of Boss Dd5 Manual are for sale to free while some are payable. If you arent sure if the books you would like to download works with for usage along with your computer, it is possible to download free trials. The free guides make it easy for someone to free access online library for download books to your device. You can get free download on free trial for lots of books categories. Our library is the biggest of these that have literally hundreds of thousands of different products categories represented. You will also see that there are specific sites catered to different product types or categories, brands or niches related with Boss Dd5 Manual. So depending on what exactly you are searching, you will be able to choose e books to suit your own need. Need to access completely for Campbell Biology Seventh Edition book? Access Ebook without any digging. And by having access to our ebook online or by storing it on your computer, you have convenient answers with Boss Dd5 Manual To get started finding Boss Dd5 Manual, you are right to find our website which has a comprehensive collection of books online. Our library is the biggest of these that have literally hundreds of thousands of different products represented. You will also see that there are specific sites catered to different categories or niches related with Boss Dd5 Manual So depending on what exactly you are searching, you will be able to choose ebook to suit your own need. Thank you for reading Boss Dd5 Manual. Maybe you have knowledge that, people have search numerous times for their favorite readings like this Boss Dd5 Manual, but end up in harmful downloads. Rather than reading a good book with a cup of coffee in the afternoon, instead they juggled with some harmful bugs inside their laptop. Boss Dd5 Manual is available in our book collection an online access to it is set as public so you can download it instantly. Our digital library spans in multiple locations, allowing you to get the most less latency time to download any of our books like this one. Merely said, Boss Dd5 Manual is universally compatible with any devices to read.

Find Boss Dd5 Manual :

free amish books

[friedrich der grosse](#)

ftce math 6 12

free spelling test for adults

~~[fun facts about march 4th](#)~~

fur elise music notes

free internal audit checklist template

fur elise full sheet music

[free korean workbook pdf](#)

funeral sermons for the elderly pdf

fun facts about the assyrian empire

fr ripperger prayer prescription

frozen music piano

free gace special education general curriculum practice test

funny geometry jokes**Boss Dd5 Manual :****als deutschland am Äquator lag eine reise in die scinexx** - Apr 11 2023

web vorlesen als deutschland am Äquator lag eine reise in die urgeschichte von volker arzt gebunden 219 seiten rowohlt berlin b 2001 preis 17 90 volker arzt nimmt uns mit auf eine

als deutschland am Äquator lag eine reise in die urgeschichte - Oct 05 2022

web humboldts Lieblingsbuch und zugleich sein bisher erfolgreichstes mit den 1808 erstmals erschienenen ansichten der natur liefert humboldt den beweis daß sinnliche erfahrung der natur und wissenschaftliche erkenntnis kein widerspruch sein muß

als deutschland am Äquator lag w wie wissen ard das erste - May 12 2023

web der loreyfelden stammt aus dem meer Über eine lange zeit lagern sich im ozean zwischen den beiden deutschen teilen sedimente ab bild wdr zwischen den beiden teilen lagern sich am

volker arzt als deutschland am Äquator lag eine reise in die - Aug 15 2023

web anhand von fossilfunden in deutschland nimmt volker arzt uns mit auf eine imaginäre reise in die aufregendsten und lebendigsten epochen der erdgeschichte in einem neuen eisenbahntunnel bei bonn erleben wir wie zum ersten mal die deutsche küste besiedelt wurde von pionieren aus dem meer

gesundheit als skandinavien am Äquator lag tagesspiegel - Jan 08 2023

web sep 12 2004 gesundheit als skandinavien am Äquator lag einst gab es den superkontinent pangäa wenn er wiederkommt wird der atlantik verschluckt werden 13 09 2004 00 00 uhr seit die erde existiert

als deutschland am Äquator lag eine reise in die bücher - Dec 07 2022

web in den mittsommernächten erscheinen auf der halbinsel snæfellsnes magische zaubersteine die jeden wunsch erfüllen und die küste der eisblauen see beherbergt sonderbare meereswesen während im undurchdringlichen hochland vogelfreie die bauern das fürchten lehren islands mächtige natur ist

als deutschland am Äquator lag eine reise in die urgeschichte - Jul 02 2022

web als deutschland am Äquator lag eine reise in die urgeschichte von volker arzt 11 september 2001 gebundene ausgabe isbn kostenloser versand für alle bücher mit versand und verkauf duch amazon

als deutschland am aquator lag eine reise in die download - Apr 30 2022

web als deutschland am aquator lag eine reise in die reisen in das heilige land nach smyrna beirut constantinopel alexandrien und cairo etc thl 1 jun 26 2021 host bibliographic record for boundwith item barcode 30112072131219 and others feb 03 2022 reisen und entdeckungen in nord und central afrika in den jahren 1849 bis

amazon de kundenrezensionen als deutschland am Äquator lag eine reise - Jun 01 2022

web finde hilfreiche kundenrezensionen und rezensionsbewertungen für als deutschland am Äquator lag eine reise in die urgeschichte auf amazon de lese ehrliche und unvoreingenommene rezensionen von unseren nutzern

sind die strandliegen immer noch so eng gestellt holidaycheck - Jan 28 2022

web apr 12 2021 hallo ingrid wir waren jetzt in alba resort ja die liegen am strand sind sehr eng gestellt und sie waren auch immer alle belegt leider auch in der corona zeit lesen sie alle antworten von urlaubern auf diese frage

als deutschland am Äquator lag eine reise in die urgeschichte - Nov 06 2022

web als deutschland am Äquator lag eine reise in die von volker arzt jetzt erstausgabe bestellen preisvergleich käuferschutz wir bücher als deutschland am Äquator lag eine reise in die volker arzt buch erstausgabe kaufen a02ouwou01zzj

droht deutschen inseln bald der touristenstopp welt - Mar 30 2022

web jul 21 2015 i m sommer ziehen die deutschen inseln rügen sylt borkum oder usedom in puncto attraktivität mit ihren mittelmeerkonkurrenten gleich die strände an nord und ostsee sind voll die hotels

als deutschland am Äquator lag eine reise in die urgeschichte - Jul 14 2023

web als deutschland am Äquator lag eine reise in die urgeschichte volker arzt knud jaspersen isbn 9783871344183

kostenloser versand für alle bücher mit versand und verkauf duch amazon eine reise in die urgeschichte volker arzt knud jaspersen amazon de bücher

touristen bleiben aus Öl bedroht alligatorenpark n tv de - Feb 26 2022

web may 22 2010 touristen bleiben aus

als deutschland am äquator lag eine reise in die urgeschichte - Aug 03 2022

web am äquator lag eine reise in die als deutschland am äquator lag derwesten de immer mehr airlines melden insolvenz an stern de ein regenwald am südpol scinexx reise in die urwelt 1955 reise

als deutschland am Äquator lag eine zeitreisen durch die - Mar 10 2023

web durch die verschiedenen geologischen epochen hindurch erfahren sie warum deutschland einmal am Äquator lag welche längst ausgestorbenen bizarren tiere unsere mittelgebirge bevölkerten und sie besuchen eine steinzeitsippe auf der

schwäbischen alb

als deutschland am Äquator lag eine reise in die eurobuch - Feb 09 2023

web als deutschland am Äquator lag eine reise in die urgeschichte von volker arzt 11 september 2001 gebundene ausgabe finden sie alle bücher von bei der büchersuchmaschine eurobuch com können sie antiquarische und neubücher vergleichen und sofort zum bestpreis bestellen gebraucht sehr guter zustand

als deutschland am Äquator lag eine reise in die urgeschichte - Jun 13 2023

web als deutschland am Äquator lag eine reise in die urgeschichte arzt volker jaspersen knud isbn 9783499619526 kostenloser versand für alle bücher mit versand und verkauf duch amazon

als deutschland am äquator lag eine reise in die urgeschichte - Sep 04 2022

web als deutschland am äquator lag eine reise in die urgeschichte by volker arzt knud jaspersen äquator 5 traumhafte reiseziele in der nähe des äquators top als deutschland am äquator lag das wissensmagazin

video riesiger alligator springt plötzlich auf boot von touristen - Dec 27 2021

web jan 24 2017 der moment wenn aus einer entspannten bootsfahrt der absolute horror trip wird o florida tag24

the secret teachings of jesus four gnostic gospels - Aug 15 2023

web may 12 1986 in this volume marvin w meyer has produced a new english translation for general readers of four of the most important and revealing of these early christian texts the secret book of james the gospel of thomas the *the secret teachings of jesus four gnostic gospels paperback* - Feb 09 2023

web may 12 1986 in this volume marvin w meyer has produced a new english translation for general readers of four of the most important and revealing of these early christian texts the secret book of james the gospel of thomas the book of thomas and the secret book of john read more print length 160 pages language english publisher vintage

colloquy podcast the secret teachings of jesus - Apr 11 2023

web apr 6 2023 the princeton university scholar elaine pagels phd 70 says that this text discovered in egypt in 1945 along with the gospel of philip contains christ s secret teachings in contrast to those meant for public worship and included in the four canonical gospels of the new testament

the secret teachings of jesus keith giles patheos - Mar 30 2022

web mar 29 2022 the secret teachings of jesus keith giles one of the main objections to the so called gnostic gospels is that they claim to contain the secret teachings of jesus that were

the secret teachings of jesus four gnostic gospels ebook - Dec 07 2022

web in the secret teachings of jesus marvin meyer a scholar of coptic and gnostic studies offers a fresh translation of four coptic late egyptian texts from the nag hammadi library the secret book of james the gospel of thomas the book of thomas

and the secret book of john

[the secret teachings of jesus four gnostic gospels](#) - Dec 27 2021

web the secret teachings of jesus four gnostic gospels meyer marvin w free download borrow and streaming internet archive

the secret teachings of jesus four gnostic gospels abebooks - Feb 26 2022

web in this volume marvin w meyer has produced a new english translation for general readers of four of the most important and revealing of these early christian texts mdash the secret book of james the gospel of thomas the book of

[the secret teachings of jesus the secret teachings of jesus](#) - May 12 2023

web jul 14 2021 writing in her book the gnostic gospels the religious scholar elaine pagels informs us that 3 of the 4 biblical gospels say that the kingdom will come in the near future but there s an

the secret teachings of jesus four gnostic gospels ebook - Jul 02 2022

web the secret teachings of jesus four gnostic gospels translator 15 40 4 80 4 80 kindle e readers see all supported devices in december 1945 two egyptian fellahin digging for natural fertilizer in the Nile river valley unearthed a sealed storage jar

[also by marvin w meyer archive org](#) - Jan 08 2023

web aug 1 2022 four two the gospel of thomas and the secret book of john are classics of gnostic spirituality known also from other manuscripts or fragments of manuscripts all four of the works are described in the title or the opening of the text as secret teachings of the savior and reliable followers of jesus his brother james judas thomas

the secret teachings of jesus four gnostic gospels - Oct 05 2022

web amazon us sold by amazon us buy used 12 60 have one to sell sell on amazon see this image follow the author marvin meyer the secret teachings of jesus four gnostic gospels paperback 15 sept 1988

the secret teachings of jesus four gnostic gospels - Aug 03 2022

web the secret teachings of jesus four gnostic gospels paperback 4 5 81 ratings see all formats and editions paperback print length 160 pages print length 160 pages language english dimensions 12 95 x 1 02 x 20 32 cm isbn 10 0394744330 isbn 13 978 0394744339 see all details product details language english

loading interface goodreads - Jan 28 2022

web discover and share books you love on goodreads

the secret teachings of jesus four gnostic gospels - Jun 13 2023

web the secret teachings of jesus four gnostic gospels google books 4 revealing christian texts founded in 1945 in egypt which provide invaluable information about the character of the early

the secret teachings of jesus four book by marvin w meyer - Jun 01 2022

web buy a cheap copy of the secret teachings of jesus four book by marvin w meyer in december 1945 two egyptian fellahin

digging for natural fertilizer in the Nile river valley unearthed a sealed storage jar the jar proved to hold treasure of free shipping on all orders over 15

the secret teachings of Jesus four gnostic gospels ebook - Sep 04 2022

web the secret teachings of Jesus four gnostic gospels 45 21 58 16 in this volume Marvin W Meyer has produced a new English translation for general readers of four of the most important and revealing of these early Christian texts the secret book of James the Gospel of Thomas the Book of Thomas and the Secret Book of John

the story of the storytellers the gnostic gospels pbs - Nov 06 2022

web the gnostic gospels the 52 texts discovered in Nag Hammadi Egypt include secret gospels poems and myths attributing to Jesus sayings and beliefs which are very different from the new

[amazon.com customer reviews the secret teachings of Jesus four](#) - Apr 30 2022

web the secret teachings of Jesus four gnostic gospels customer reviews top positive review Rama Rao Vine Voice Gnosticism is a mystical esoteric religious movement that existed during the very early phase of Christianity

the secret teachings of Jesus four gnostic gospels - Mar 10 2023

web Sep 12 2022 in this volume Marvin W Meyer has produced a new English translation for general readers of four of the most important and revealing of these early Christian texts the Secret Book of James the Gospel of Thomas the Book of Thomas and the Secret Book of John includes bibliographical references pages 121 129

[the secret teachings of Jesus gnosis study](#) - Jul 14 2023

web the secret teachings of Jesus reprint originally published in hardcover by Random House Inc in 1984 1 Gnosticism 2 Jesus Christ teachings I Meyer Marvin W II title BT1390 N33213 1986 229 8052 85 40864 ISBN 978 0 307 75664 0 v3 1 4 to Stephen and Jonathan 5 Gospel of Thomas saying 2 acknowledgments

free hallelujah by Leonard Cohen sheet music - Feb 09 2023

web piano vocal SATB details download the sheet music for Hallelujah Chorus by Traditional Carol PraiseCharts from the album Traditional Carols Collection this

[hallelujah chorus sheet music pdf traditional carol](#) - Jul 02 2022

web shop and buy Hallelujah Chorus Sheet Music Faber Piano Adventures Sheet Music Book by George Frideric Handel 1685 1759 browse Faber Piano Adventures from

hallelujah chorus easy sheet music plus - Feb 26 2022

hallelujah sheet music 221 arrangements available - Nov 06 2022

web hallelujah chorus easy by George Frideric Handel 1685 1759 digital sheet music for piano solo download print a0 525723

sheet music plus

hallelujah chorus from messiah sheet music in d - Jun 01 2022

web 90 off play the music you love without limits for just 7 99 0 77 week billed annually at 39 99 view official scores licensed from print music publishers download and print

john carter hallelujah chorus sheet music piano solo in c - Nov 25 2021

hallelujah chorus handel free easy piano sheet music - Aug 03 2022

web print and download hallelujah chorus sheet music by john carter arranged for piano instrumental solo in c major sku mn0171366

hallelujah piano sheet music musescore com - Sep 23 2021

hallelujah chorus early advanced piano solo sheet music plus - Sep 04 2022

web print and download the hallelujah chorus sheet music music notes for church organ and piano duet sheet music by george frideric handel 1685 1759 lorenz publishing

hallelujah chorus by george frideric handel 1685 1759 sheet - Oct 25 2021

hallelujah chorus sheet music musicnotes com - Aug 15 2023

web browse our 41 arrangements of hallelujah chorus sheet music is available for piano voice guitar and 27 others with 16 scorings and 4 notations in 21 genres find your

george frederick handel hallelujah chorus sheet - Dec 07 2022

web leonard cohen arrangements of this song view all product type musicnotes product mn0280869 print and download sheet music for hallelujah by leonard cohen

händel messiah hallelujah chorus piano solo sheet - Jul 14 2023

web sep 11 2023 hallelujah chorus georg friedrich händel sheet music for piano piano duo musescore com time for summer time for music 90 off 05d 04h 58m

the hallelujah chorus sheet music plus - Dec 27 2021

leonard cohen hallelujah sheet music easy piano in f major - Mar 30 2022

hallelujah sheet music for piano solo musescore com - Apr 30 2022

hallelujah chorus georg friedrich händel sheet music for - May 12 2023

web free hallelujah by leonard cohen sheet music download pdf or print on musescore com time for summer time for music 90 off 06d 06h 31m 42s

[hallelujah sheet music for piano solo musescore com](#) - Jan 08 2023

web play the music you love without limits for just 7 99 0 77 week billed annually at 39 99 view official scores licensed from print music publishers download and print scores

hallelujah chorus george frideric handel sheet - Oct 05 2022

web print and download hallelujah chorus piano accompaniment sheet music music notes for score sheet music by george frideric handel 1685 1759 tina illig at sheet

hallelujah chorus piano accompaniment sheet music plus - Jan 28 2022

hallelujah chorus lead sheet with lyrics sheet - Mar 10 2023

web print and download hallelujah chorus from messiah by baroque composer george frideric handel free easy piano sheet music instrumental solo professionally

[hallelujah chorus george frederick handel sheet](#) - Jun 13 2023

web sep 30 2019 messiah hww 56 sheet music list for unto us a child is born from messiah choral satb glory to god from messiah choral satb a cappella

free sheet music haendel georg friedrich hallelujah chorus - Apr 11 2023

web hallelujah chorus early advanced piano solo by george frideric handel 1685 1759 digital sheet music for piano solo download print a0 712168 sheet music plus