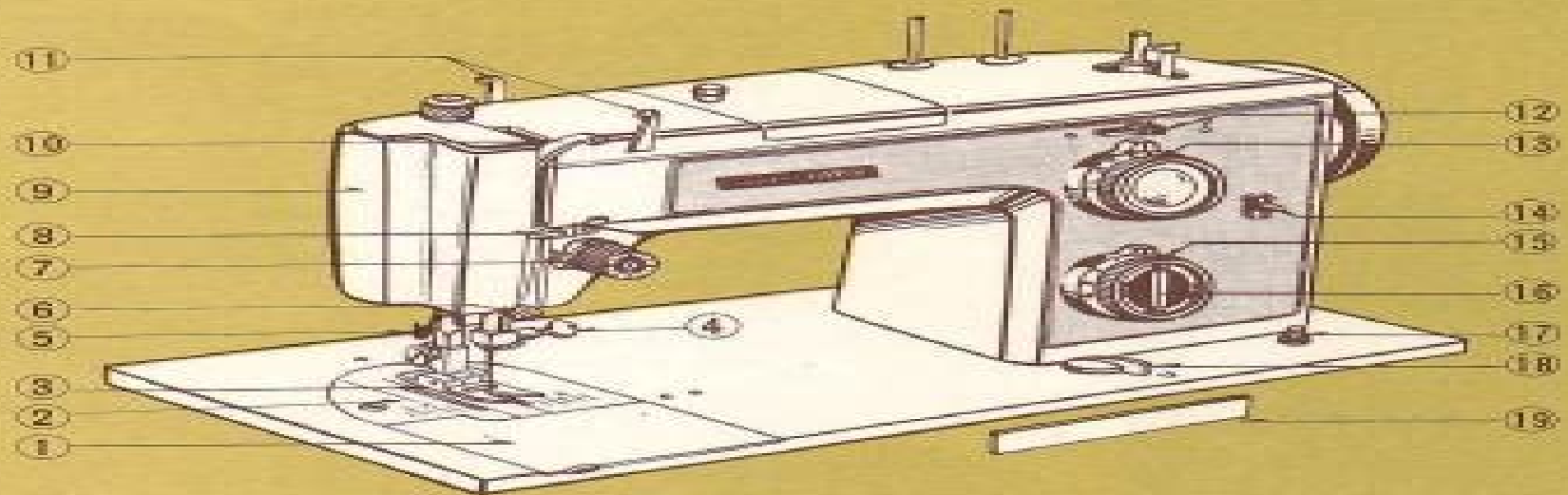


# Knowing Your Sewing Machine

FRONT VIEW



1. Hand Hole Cover Plate
2. Seam Guide Lines
3. Presser Foot
4. Needle Clamp Screw
5. Thread Cutter
6. Thread Guide
7. Top Thread Tension Control
8. Thread Guide
9. Face Cover Plate
10. Take-up Lever

11. Upper Thread Guides
12. Special Stitch Variegator
13. Stitch Length Control
14. Reverse Stitch Control
15. Stitch Width Control
16. Special Stitch Dial
17. Light and Power Switch
18. Feed Dog Control
19. Nomenclature Plate

# **Kenmore Portable Sewing Machine Manual**

**Pat Sloan, Jane Davidson**



# Kenmore Portable Sewing Machine Manual

*Catalog of Sears, Roebuck and Company* Sears, Roebuck and Company,1981      **How to Sew: Appliqué** The Editors of David & Charles,2010-11-18 A concise guide to appliqué sewing and design with projects included Unleash your creativity with this book covering all of the basics of appliqué sewing and design In this short introductory guide this highly adaptable skill is described in step by step detail with Easy to follow projects Professional tips Fun variations and ideas

*Thanksgiving* Barbara Rainey,2003 A beautiful book that not only helps families develop traditions based on the significance of Thanksgiving but also builds a foundation of gratefulness in their lives      Sears Sears, Roebuck and Company,1985      **Consumer Reports** ,1969      *Willcox & Gibbs* Alex Askaroff,2019-10-26 No1 NEW RELEASE AMAZON Oct 2019 The Willcox Gibbs chain stitch sewing machines are one of the most collected sewing machines of all time Some say the machine represents the finest piece of 19th Century precision engineering in the world Certainly the company thought so advertising their machines as Beyond Comparison Today most enthusiasts try to have at least one W G in their collection World renowned author Alex Askaroff brings to life this amazing machine and the even more amazing men who built it

*Handbook of Buying Issue* ,1969      *Serendipity Quilts* Susan E. Carlson,2010 Serendipity Quilts features four beautiful colour rich projects that go from beginner to advanced giving quilters everywhere the confidence to let their imaginations run wild create the quilts they've always dreamed of      *Popular Mechanics* ,1955-07 Popular Mechanics inspires instructs and influences readers to help them master the modern world Whether it's practical DIY home improvement tips gadgets and digital technology information on the newest cars or the latest breakthroughs in science PM is the ultimate guide to our high tech lifestyle      *Wonderful One-Patch Quilts* Sara Nephew,Baker Marci,2017-03-01 What can you sew with a 60 ruler and a simple repeated shape The possibilities are endless Favorite authors Sara Nephew and Marci Baker are back with 20 beautifully bold one patch quilts made from triangles half hexagons diamonds and more With their eye catching color placement and clever pieced units like half triangles and quarter hexagons no two quilts look alike For even more variety pick your favorite method working from scraps or strip piecing yardage to create an array of quilts from wallhangings to full size beauties      **Machine Stitch** Alice Kettle,Jane McKeating,2010-08-04 This unique book collection culls the expertise of academics and the actual embroidery machines archives of Manchester Metropolitan University in Great Britain whose specialist embroidery department has been instrumental in artistic and educational innovations in textiles since the 1960s This book is the definitive record of the vast number of machines from the traditional Irish Embroidery machines to the latest generation of computerized sewing machines and features a rich and fascinating record of the machines themselves and the samples and artwork that were produced on them Each contributor gives their own individual perspective on machine stitch and the book illustrates how key machines can be applied to the artistic industrial and domestic practice and shows how to

combine techniques and develop new ideas in machine embroidery a creative medium that is flourishing in both design and production **Friendship Quilts by Hand and Machine** Carolyn Vosburg Hall,1988 *The Splendid Sampler 2* Pat Sloan,Jane Davidson,2018-10-01 More than 28 000 quilters have sewn along with the Splendid Sampler community online Now Pat Sloan and Jane Davidson return with 100 all new block patterns to inspire quilters all over the world all over again Choose blocks designed by Pat and Jane plus superstar quilters Lissa Alexander Carrie Nelson Jenny Doan Susan Ache Betsy Chutchian and many more Blocks made with patchwork applique embroidery and paper piecing provide plenty of opportunities to try new techniques You ll discover fun ideas for arranging your blocks in a gallery of sampler quilts Share your progress online and experience the joys of quilting with this Splendid community of quilters **Consumers' research bulletin annual** ,1956 *How to Attain and Practice the Ideal Sex Life* J. Rutgers,2013-10 This is a new release of the original 1937 edition [American Aeronaut](#) ,1968 [The Namesake](#) Jhumpa Lahiri,2023-04-13 The incredible bestselling first novel from Pulitzer Prize winning author Jhumpa Lahiri The kind of writer who makes you want to grab the next person and say Read this Amy Tan When her grandmother learned of Ashima s pregnancy she was particularly thrilled at the prospect of naming the family s first sahib And so Ashima and Ashoke have agreed to put off the decision of what to name the baby until a letter comes For now the label on his hospital cot reads simply BABY BOY GANGULI But as time passes and still no letter arrives from India American bureaucracy takes over and demands that baby boy Ganguli be given a name In a panic his father decides to nickname him Gogol after his favourite writer Brought up as an Indian in suburban America Gogol Ganguli soon finds himself itching to cast off his awkward name just as he longs to leave behind the inherited values of his Bengali parents And so he sets off on his own path through life a path strewn with conflicting loyalties love and loss Spanning three decades and crossing continents Jhumpa Lahiri s debut novel is a triumph of humane story telling Elegant subtle and moving *The Namesake* is for everyone who loved the clarity sympathy and grace of Lahiri s Pulitzer Prize winning debut story collection *Interpreter of Maladies* [The Sewing Machine Attachment Handbook](#) Charlene Phillips,2009-05-29 It s time to sew with your feet Sewing machine attachments don t have to be scary With *The Sewing Machine Attachment Handbook* you ll gain the knowledge you need to conquer that box of metal and plastic This indispensable guide will Help you identify 25 of the most common attachment feet and accessories with detailed illustrations and pictures including rufflers binders hemmers and more Give you clear step by step instructions for using each foot to yield the best results Guide you in choosing a sewing machine including information on what to look for in a new or used sewing machine Whether you ve just begun or are an experienced sewer *The Sewing Machine Attachment Handbook* will walk you through the ins and outs of what your machine can do So grab those feet and start sewing **Popular Science** ,1952-11 Popular Science gives our readers the information and tools to improve their technology and their world The core belief that Popular Science and our readers share The future is going to be better and science and technology are the driving forces that will help make it better **365 Free Motion**

**Quilting Designs** Leah Day, 2014-01-01 In 2009 Leah Day started a new blog the Free Motion Quilting Project and set out to create 365 new free motion quilting designs Each design was published online with photos and a video tutorial for free for everyone in the world to enjoy This book is a compilation of those 365 designs and within it you will find a treasury of ideas and inspiration you ll return to again and again Find hundreds of filler designs to work in all the different areas of your quilts From the blocks to the sashing and into the borders you re sure to find the perfect designs to fit your quilt Feeling confused with free motion quilting Get back on track with Leah s quick tips on everything from machine settings to how to prepare your quilt top and backing before quilting Build your repertoire of continuous line quilting designs by stitching a different design every day This book will definitely help you break out of the Stippling rut Inside you ll find a high quality photo of each meticulously stitched design For practice trace the design or visit [www LeahDay com](http://www.LeahDay.com) 365 to find video tutorials for every single design in this book While this is not a primer on free motion quilting basics this book is a helpful companion and the largest collection of free motion quilting designs ever published This second edition offers a spiral binding to help the book lay flat near your sewing machine Challenge yourself to memorize not mark a new design every day for a year Stitch the designs exactly as shown or play with creating your own variations The possibilities are endless See why quilters like you have called this book an amazing resource just what I needed and the best quilting book ever

**perda kab kudus no 5 tahun 2018 jdih bpk ri** - May 17 2023

web judul peraturan daerah perda kabupaten kudus nomor 5 tahun 2018 tentang perubahan atas peraturan daerah kabupaten kudus nomor 1 tahun 2013 tentang retribusi pengendalian menara telekomunikasi

[perda kab kudus no 8 tahun 2022 jdih bpk ri](#) - Jul 07 2022

web peraturan daerah perda kabupaten kudus nomor 8 tahun 2022 perubahan anggaran pendapatan dan belanja daerah tahun anggaran 2022 materi pokok peraturan abstrak peraturan daerah ini mengatur tentang ketentuan umum dan perubahan apbd ta 2022 semula sebesar rp2 138 777 595 583 00 berrtambah menjadi

**perda kab kudus no 3 tahun 2021 jdih bpk ri** - Jun 18 2023

web materi pokok peraturan abstrak peraturan daerah ini mengubah beberapa ketentuan dalam peraturan daerah kabupaten kudus nomor 12 tahun 2010 tentang retribusi pelayanan persampahan kebersihan yaitu tentang ketentuan umum objek retribusi dan struktur dan besaran tarif

[perda apbd kabupaten kudus tahun 2021 open data kabupaten kudus](#) - May 05 2022

web perda apbd kabupaten kudus tahun 2021 perda apbd kabupaten kudus tahun 2021 data and resources perda apbd tahun 2021 qoroxz7 pdf pdf explore more information unduh additional info field nilai last updated juni 18 2021 00 54 utc dibuat juni 18 2021 00 54 utc

**ringkasan APBD pemerintah kabupaten kudus** - Mar 03 2022

web peraturan daerah kabupaten kudus nomor 5 tahun 2019 tentang anggaran pendapatan dan belanja daerah kabupaten kudus tahun 2020 ringkasan APBD tahun anggaran pemerintah kabupaten kudus nomor urut uraian jumlah 1 2 3 1 pendapatan 1 810 667 069 000 00 1 1 pendapatan asli daerah 378 701 780 000 00 1 1 1 pendapatan pajak daerah jumlah 23 [jdih kudus](#) - Oct 10 2022

web jumlah 23 kedudukan susunan organisasi tugas dan fungsi serta tata kerja badan kepegawaian dan pengembangan sumber daya manusia kabupaten kudus perubahan kelima atas perbup nomor 26 tahun 2017 tentang pelaksanaan perda kabupaten kudus nomor 19 tahun 2017 tentang hak keuangan dan administratif pimpinan dan anggota

**perda kab kudus no 11 tahun 2021 jdih bpk ri** - Apr 16 2023

web halaman ini telah diakses 457 kali abstrak bahwa untuk menindaklanjuti ketentuan pasal 3 ayat 3 undang undang nomor 17 tahun 2003 tentang keuangan negara maka perlu menetapkan peraturan daerah tentang anggaran pendapatan dan belanja daerah kabupaten kudus tahun anggaran 2022

**perda kab kudus no 2 tahun 2020 jdih bpk ri** - Feb 14 2023

web peraturan daerah perda bentuk singkat perda tahun 2020 tempat penetapan kudus tanggal penetapan 07 oktober 2020 tanggal pengundangan 07 oktober 2020 tanggal berlaku 07 oktober 2020 sumber ld 2020 no 2 subjek APBD status berlaku bahasa indonesia lokasi pemerintah kabupaten kudus

[kudus tahun anggaran 2022 perda nomor 11 tahun](#) - Sep 09 2022

web 2021 bn tahun 2021 no 926 perda kab kudus no 3 tahun 2007 ld kab kudus tahun 2007 no 3 tld no 99 perda kab kudus no 1 tahun 2021 ld kab kudus tahun 2021 no 1 perda ini mengatur tentang ketentuan umum lampiran catatan perda ini ditetapkan pada tanggal 24 desember 2021 dan diundangkan tanggal 24

*jumlah perda yang ditetapkan open data kabupaten kudus* - Aug 20 2023

web jumlah perda yang ditetapkan explore preview download perda additional info field value last updated november 16 2022 00 52 utc created november 16 2022 00 51 utc about open data kabupaten kudus ckan api ckan association powered by ckan language

[perda kab kudus no 10 tahun 2017 jdih bpk ri](#) - Nov 11 2022

web peraturan daerah perda kabupaten kudus nomor 10 tahun 2017 tentang perubahan atas peraturan daerah kabupaten kudus nomor 5 tahun 2015 tentang pedoman pembangunan desa t e u indonesia kabupaten kudus

**badan pusat statistik bps** - Dec 12 2022

web feb 28 2023 badan pusat statistik kabupaten kudus statistics of kudus jl mejobo kompleks perkantoran kudus 59319 telp 62 291 433382 faks 62 21 4251140 mailbox bps3319 bps go id untuk tampilan terbaik anda dapat gunakan berbagai jenis

browser kecuali ie mozilla firefox 3 and safari 3 2 dengan lebar minimum browser beresolusi

**perda kab kudus no 9 tahun 2017 jdih bpk ri** - Jun 06 2022

web peraturan daerah perda kabupaten kudus nomor 9 tahun 2017 tentang perubahan atas peraturan daerah kabupaten kudus nomor 3 tahun 2015 tentang pedoman penyusunan organisasi dan tata kerja pemerintah desa

perda apbd tahun 2021 ppid kudus kuduskab go id - Apr 04 2022

web perda apbd tahun 2021 data kosong selamat datang di portal resmi ppid pemerintah kabupaten kudus jam pelayanan senin kamis 08 00 15 00 wib jum at 08 00 11 00 wib

**bupati kudus provinsi jawa tengah peraturan daerah kabupaten kudus** - Mar 15 2023

web 25 peraturan daerah kabupaten kudus nomor 1 tahun 2021 tentang pertanggungjawaban pelaksanaan anggaran pendapatan dan belanja daerah kabupaten kudus tahun anggaran 2020 lembaran daerah kabupaten kudus tahun 2021 nomor 1 dengan persetujuan bersama dewan perwakilan rakyat daerah kabupaten

perda kab kudus no 09 tahun 2022 jdih bpk ri - Jan 13 2023

web peraturan daerah perda bentuk singkat perda tahun 2022 tempat penetapan kudus tanggal penetapan 28 desember 2022 tanggal pengundangan 29 desember 2022 tanggal berlaku 29 desember 2022 sumber ld 2022 no 9 subjek apbd status berlaku bahasa indonesia lokasi pemerintah kabupaten kudus

perda kab kudus no 1 tahun 2022 jdih bpk ri - Oct 22 2023

web peraturan daerah perda kabupaten kudus nomor 1 tahun 2022 tentang rencana tata ruang wilayah kabupaten kudus tahun 2022 2042 t e u indonesia kabupaten kudus nomor 1 bentuk peraturan daerah perda bentuk singkat perda tahun 2022 tempat penetapan kudus tanggal penetapan 31 maret 2022 tanggal pengundangan 31 maret

perda kab kudus no 5 tahun 2022 jdih bpk ri - Sep 21 2023

web peraturan daerah perda kabupaten kudus nomor 5 tahun 2022 tentang perubahan atas peraturan daerah kabupaten kudus nomor 3 tahun 2016 tentang pembentukan dan susunan perangkat daerah kabupaten kudus

jdih kudus - Jul 19 2023

web selamat datang di website bagian hukum setda kabupaten kudus berikut produk hukum terbaru perda nomor 9 tahun 2022 berlaku jl simpang tujuh no 1 kab kudus jawa tengah mail us bagianhukum kuduskab go id 0291 435025 faks

**badan pusat statistik** - Aug 08 2022

web sep 2 2021 sumber perda kabupaten kudus no 1 tahun 2015 pada oktober 2023 terjadi inflasi sebesar 0 27 persen dengan indeks harga konsumen ihk sebesar 115 73 jl mejobo kompleks perkantoran kudus 59319 telp 62 291 433382 faks 62 21 4251140 mailbox bps3319 bps go id

**50 self appraisal comments for your performance review** - Sep 17 2023

web apr 2 2023 try to leave time to review your appraisal before submitting it to ensure your language is positive and actionable discover 50 sample self appraisal comments you can reference and learn the steps you can take to write a self appraisal for your next performance review

[250 top employee evaluation phrases for effective feedback](#) - Oct 06 2022

web jul 31 2023 here is a list of phrases you can use in an employee evaluation broken down by the following categories teamwork and support obligation and competence attitude and comportment efficiency and quality of work flexibility communication and interpersonal skills creativeness and innovation attendance

**40 best performance appraisal comments tips and samples** - Feb 10 2023

web may 27 2022 performance management may 27 2022 approximately 77 of hr executives believe employee appraisals are inaccurate employee performance indicators this is primarily so because when managers roll out reviews they consider the outcome of the employee behavior to be of more significance than the behavior itself

[the list of 50 effective self appraisal comments empuls](#) - Dec 28 2021

web oct 12 2023 1 track your work regularly 2 prepare a draft 3 take time to complete it 4 no achievement is a small achievement 5 be realistic benefits of self appraisal for the team and manager benefits of self appraisal for the team members benefits of self appraisal for managers 50 self appraisal comments and phrases customer support

**45 examples of effective performance evaluation phrases** - Apr 12 2023

web jul 31 2023 examples of performance evaluation comments here are some examples of phrases you could use based on the category of feedback attendance you are always here on time never leave early and adhere to all company break times

[120 performance appraisal comments to convey the right](#) - May 01 2022

web the performance review comments listed below are simple descriptive and effective to help in putting the right message across in every situation communication comments communication is a vital aspect of every relationship

**100 performance appraisal comments for your next** - Oct 18 2023

web apr 27 2023 examples of performance appraisal comments 1 attendance punctuality is one of the strongest virtues an employee can possess they must arrive on time take the 2 innovation and creativity creativity and the free exchange of ideas can only flow when employees have a healthy work 3

**100 most useful self appraisal comments for your next** - Jun 02 2022

web here are top 20 constructive feedback examples that you can use during your next conversation to make your constructive feedback more effective we have also illustrated examples of what you should steer away from 1 communication skills example of how to give constructive feedback

[110 effective self appraisal comments for your performance](#) - Jul 03 2022



web self appraisal comments examples and templates enhance performance review with sample self evaluation performance review examples and phrases

*40 meaningful effective self appraisal comments sprigghr* - Aug 16 2023

web nov 16 2020 in order to help you project yourself well in your self appraisal process and set yourself up for success down the line here are some examples of key self appraisal phrases you can incorporate during the next evaluation season in a hurry take these self appraisal comments to go

**performance appraisal phrases 200 helpful phrases for** - Jan 29 2022

web performance appraisal phrases 200 helpful phrases for employee performance reviews home employee management performance reviews can be difficult for everyone manager and employee alike but you can avoid that stress by structuring your performance reviews to inspire greatness instead of dread

*50 performance review phrases with examples indeed* - Aug 04 2022

web jul 21 2022 in your performance review consider some of these sample phrases always suggests new ways to complete a project cleverly integrate the voice of the company to create something original but familiar demonstrates a unique ability to think creatively and produce new and interesting content 2

**60 performance appraisal comments constructive feedback** - Nov 07 2022

web sep 20 2023 60 performance appraisal comments constructive feedback for growth risely posted by suprabha sharma on september 20 2023 60 performance appraisal comments constructive feedback for growth in dynamic modern workplaces performance appraisal comments are the linchpin that connects employees

*40 specific meaningful employee appraisal comments* - May 13 2023

web dec 3 2019 we've included three positive examples and two needs improvement examples for each topic note that all needs improvement comments are phrased in a constructive way if you're short on time you can download all 40 specific meaningful appraisal comments in a convenient pdf by clicking below

*5 examples of helpful employee appraisal comments* - Dec 08 2022

web may 9 2022 employer articles 5 examples of helpful employee appraisal comments 5 examples of helpful employee appraisal comments by robert half on 9 may 2022 5 examples of strong employee appraisal comments communication teamwork and cooperation time management accountability leadership estimated read time 4 minutes

*how to write an appraisal comment with samples nesta hk* - Sep 05 2022

web 10 sample appraisal comments john consistently demonstrates a strong work ethic and is highly motivated to achieve results jane is an excellent communicator and is able to effectively convey her ideas to her colleagues joe is a reliable team member who is always willing to take on additional tasks

*122 performance appraisal employee final comments self* - Mar 31 2022

web aug 16 2022 examples to get you started 1 my goal is to enhance my interpersonal abilities and dissolve situations that encourage tension between me and my teammates 2 i will create a unique communication workplace that will promote openness and honesty 3

how to comment on a performance review with examples - Jan 09 2023

web apr 28 2023 commenting on your performance review can help clarify misunderstandings provide additional context for your work and allow you to advocate for yourself and your accomplishments however it s important to approach commenting on your performance review or performance appraisal pa thoughtfully and strategically

**examples of constructive performance appraisal comments** - Jul 15 2023

web sep 9 2023 here are some examples of positive and constructive performance appraisal comments about attendance you have excellent attendance you are punctual for work and you took your breaks at the scheduled times i appreciate that you begin each workday with renewed energy i notice your attendance this quarter needs some improvement

**300 performance review phrases for quality of work** - Nov 26 2021

web these comments can provide helpful feedback to help the employee improve their quality of work it is important to use accurate and constructive language when writing performance appraisal comments as this will help avoid any negative consequences for the employee in this article you will find performance review examples for the following skills

**50 self appraisal comments for your next performance review** - Jun 14 2023

web apr 27 2023 50 self appraisal comments to use in your next performance review also learn the ways to write and implement self evaluation for performance appraisals 50 ways to write self appraisal comments and their benefits for your next performance review

*100 self appraisal examples for your next performance review* - Feb 27 2022

web nov 14 2023 browse through our collection of self appraisal examples and ideas for your next performance reviews plus quick tips for writing an effective self appraisal need help writing a self appraisal check out these 100 ideas

*94 example performance review phrases and comments for* - Mar 11 2023

web jan 26 2017 to develop your ability to learn appraisal comments heres a comprehensive list of example phrases comments and constructive feedback examples as ideas and inspiration for your next performance review performance self appraisal 360 peer review or just offering continuous feedback as part of employee performance and development

**mind over mood flyer pdf pdf voto unéal edu** - Dec 26 2021

web mind over mood flyer 2019 07 04 perkins murray mind over murder lyrical underground call em the broad street bullies the ferocious flyers or bobby clarke s

**mind over mood change how you feel by changing the way** - Apr 29 2022

web mind over mood group holiday season support group thursdays 2 00 p m 4 00 p m group meets for 12 weeks starting november 4 2021 for more information and to

*mind over mood a cognitive therapy treatment manual* - Dec 06 2022

web greenberger d padesky c a 1995 mind over mood a cognitive therapy treatment manual for clients guilford press abstract written by 2 clinical psychologists this

**mind over mood flyer wrbb neu edu** - Nov 24 2021

web mar 7 2023 mind over mood flyer 1 8 downloaded from uniport edu ng on march 7 2023 by guest mind over mood flyer as recognized adventure as competently as

mind over mood group dap health - Mar 29 2022

web mind over mood flyer view pdf mind over mood anxiety pdf dr ian hyams view pdf pdf file aacs book list ann arbor consultation services view pdf

**mind over mood download free pdf or buy books** - Feb 25 2022

web 4 mind over mood flyer 2021 03 25 good idea who it is but how is she supposed to rescue her pigeons and outwit a german spy this ebook includes a historical afterword

*mind over mood second edition change how you feel by* - Sep 03 2022

web search from thousands of royalty free mind over matter stock images and video for your next project download royalty free stock photos vectors hd footage and more on

*mind over mood flyer copy help environment harvard edu* - Nov 05 2022

web to understand even more not far off from the globe experience some places bearing in mind history amusement and a lot more it is your very own time to appear in

335 results for mind over matter in all adobe stock - Aug 02 2022

web mind over mood 2 619 likes 1 talking about this mind over mood is one of the best selling cognitive behavior therapy books over 1 000 000 copies h

**230 mood customizable design templates postermyswall** - Sep 22 2021

*mind over mood guilford press* - May 11 2023

web the life changing bestseller more than 1 300 000 in print create flyer mind over mood second edition change how you feel by changing the way you think dennis

mind over mood second edition changing how you feel by - Mar 09 2023

web mind over mood change how you feel by changing the way you think dennis greenberger and christine a padesky second edition pages cm includes

**mind over mood change how you feel by changing the way you** - Feb 08 2023

web sep 20 2020 mind over mood will help you learn proven powerful practical strategies to transform your life follow step by step plans to overcome depression anxiety anger

**mind over mood flyer** - Aug 14 2023

web attend and discover the power of mind over mood use your mind to fight off depression anxiety and other stressful moods learn the thoughts and behaviors that lift your

**mind over mood worksheets english worksheets land** - May 31 2022

web mind over mood change how you feel by changing the way you think greenberger dennis padesky christine a amazon com tr kitap

**160 mindset customizable design templates postermyswall** - Jun 12 2023

web create free mindset flyers posters social media graphics and videos in minutes choose from 160 eye catching templates to wow your audience

**worksheets mind over mood** - Jul 13 2023

web faqs plus a selection of mind over mood 2nd edition worksheets in english and spanish along with instructions on how to download the worksheets

**mind over mood** - Apr 10 2023

web a website for the public skills to improve your life skills to change how you feel featuring mind over mood a self help workbook using evidence based methods

**mind over mood flyer uniport edu ng** - Oct 24 2021

web create free mood flyers posters social media graphics and videos in minutes choose from 230 eye catching templates to wow your audience open accessibility menu skip

*mind over mood facebook* - Jul 01 2022

web here are a few foods that will improve your mood salmon contains omega 3 fatty acids that boost your mood mushrooms provide you with vitamin d which has anti

[mind over mood flyer japanalert bananacoding com](#) - Jan 27 2022

web mind over mood flyer pdf unveiling the power of verbal art an emotional sojourn through mind over mood flyer pdf in a global inundated with screens and the

**the clinician s guide to cbt using mind over mood** - Oct 04 2022

web this life changing book has already helped more than 1 200 000 readers use cognitive behavioral therapy one of today s most effective forms of psychotherapy to conquer

*mind over mood change how you feel by changing the way you* - Jan 07 2023

web only rarely does a book come along that can truly change your life *mind over mood* is such a book dennis greenberger and christine a padesky have distilled the wisdom

Immerse yourself in the artistry of words with is expressive creation, Discover the Artistry of **Kenmore Portable Sewing Machine Manual** . This ebook, presented in a PDF format ( PDF Size: \*), is a masterpiece that goes beyond conventional storytelling. Indulge your senses in prose, poetry, and knowledge. Download now to let the beauty of literature and artistry envelop your mind in a unique and expressive way.

[https://offsite.creighton.edu/files/virtual-library/Documents/map\\_of\\_deciduous\\_forest.pdf](https://offsite.creighton.edu/files/virtual-library/Documents/map_of_deciduous_forest.pdf)

[https://offsite.creighton.edu/files/virtual-library/Documents/mark\\_houghton\\_singer.pdf](https://offsite.creighton.edu/files/virtual-library/Documents/mark_houghton_singer.pdf)

[https://offsite.creighton.edu/files/virtual-library/Documents/mafia\\_boss\\_falls\\_in\\_love.pdf](https://offsite.creighton.edu/files/virtual-library/Documents/mafia_boss_falls_in_love.pdf)

## **Table of Contents Kenmore Portable Sewing Machine Manual**

1. Understanding the eBook Kenmore Portable Sewing Machine Manual
  - The Rise of Digital Reading Kenmore Portable Sewing Machine Manual
  - Advantages of eBooks Over Traditional Books
2. Identifying Kenmore Portable Sewing Machine Manual
  - Exploring Different Genres
  - Considering Fiction vs. Non-Fiction
  - Determining Your Reading Goals
3. Choosing the Right eBook Platform
  - Popular eBook Platforms
  - Features to Look for in an Kenmore Portable Sewing Machine Manual
  - User-Friendly Interface
4. Exploring eBook Recommendations from Kenmore Portable Sewing Machine Manual
  - Personalized Recommendations

- Kenmore Portable Sewing Machine Manual User Reviews and Ratings
- Kenmore Portable Sewing Machine Manual and Bestseller Lists
- 5. Accessing Kenmore Portable Sewing Machine Manual Free and Paid eBooks
  - Kenmore Portable Sewing Machine Manual Public Domain eBooks
  - Kenmore Portable Sewing Machine Manual eBook Subscription Services
  - Kenmore Portable Sewing Machine Manual Budget-Friendly Options
- 6. Navigating Kenmore Portable Sewing Machine Manual eBook Formats
  - ePub, PDF, MOBI, and More
  - Kenmore Portable Sewing Machine Manual Compatibility with Devices
  - Kenmore Portable Sewing Machine Manual Enhanced eBook Features
- 7. Enhancing Your Reading Experience
  - Adjustable Fonts and Text Sizes of Kenmore Portable Sewing Machine Manual
  - Highlighting and Note-Taking Kenmore Portable Sewing Machine Manual
  - Interactive Elements Kenmore Portable Sewing Machine Manual
- 8. Staying Engaged with Kenmore Portable Sewing Machine Manual
  - Joining Online Reading Communities
  - Participating in Virtual Book Clubs
  - Following Authors and Publishers Kenmore Portable Sewing Machine Manual
- 9. Balancing eBooks and Physical Books Kenmore Portable Sewing Machine Manual
  - Benefits of a Digital Library
  - Creating a Diverse Reading Collection Kenmore Portable Sewing Machine Manual
- 10. Overcoming Reading Challenges
  - Dealing with Digital Eye Strain
  - Minimizing Distractions
  - Managing Screen Time
- 11. Cultivating a Reading Routine Kenmore Portable Sewing Machine Manual
  - Setting Reading Goals Kenmore Portable Sewing Machine Manual
  - Carving Out Dedicated Reading Time
- 12. Sourcing Reliable Information of Kenmore Portable Sewing Machine Manual
  - Fact-Checking eBook Content of Kenmore Portable Sewing Machine Manual

- Distinguishing Credible Sources
- 13. Promoting Lifelong Learning
  - Utilizing eBooks for Skill Development
  - Exploring Educational eBooks
- 14. Embracing eBook Trends
  - Integration of Multimedia Elements
  - Interactive and Gamified eBooks

### **Kenmore Portable Sewing Machine Manual Introduction**

Kenmore Portable Sewing Machine Manual Offers over 60,000 free eBooks, including many classics that are in the public domain. Open Library: Provides access to over 1 million free eBooks, including classic literature and contemporary works. Kenmore Portable Sewing Machine Manual Offers a vast collection of books, some of which are available for free as PDF downloads, particularly older books in the public domain. Kenmore Portable Sewing Machine Manual : This website hosts a vast collection of scientific articles, books, and textbooks. While it operates in a legal gray area due to copyright issues, its a popular resource for finding various publications. Internet Archive for Kenmore Portable Sewing Machine Manual : Has an extensive collection of digital content, including books, articles, videos, and more. It has a massive library of free downloadable books. Free-eBooks Kenmore Portable Sewing Machine Manual Offers a diverse range of free eBooks across various genres. Kenmore Portable Sewing Machine Manual Focuses mainly on educational books, textbooks, and business books. It offers free PDF downloads for educational purposes. Kenmore Portable Sewing Machine Manual Provides a large selection of free eBooks in different genres, which are available for download in various formats, including PDF. Finding specific Kenmore Portable Sewing Machine Manual, especially related to Kenmore Portable Sewing Machine Manual, might be challenging as theyre often artistic creations rather than practical blueprints. However, you can explore the following steps to search for or create your own Online Searches: Look for websites, forums, or blogs dedicated to Kenmore Portable Sewing Machine Manual, Sometimes enthusiasts share their designs or concepts in PDF format. Books and Magazines Some Kenmore Portable Sewing Machine Manual books or magazines might include. Look for these in online stores or libraries. Remember that while Kenmore Portable Sewing Machine Manual, sharing copyrighted material without permission is not legal. Always ensure youre either creating your own or obtaining them from legitimate sources that allow sharing and downloading. Library Check if your local library offers eBook lending services. Many libraries have digital catalogs where you can borrow Kenmore Portable Sewing Machine Manual eBooks for free, including popular titles. Online Retailers: Websites like Amazon, Google Books, or Apple Books often sell eBooks. Sometimes, authors or publishers offer promotions or free



periods for certain books. Authors Website Occasionally, authors provide excerpts or short stories for free on their websites. While this might not be the Kenmore Portable Sewing Machine Manual full book, it can give you a taste of the authors writing style. Subscription Services Platforms like Kindle Unlimited or Scribd offer subscription-based access to a wide range of Kenmore Portable Sewing Machine Manual eBooks, including some popular titles.

### FAQs About Kenmore Portable Sewing Machine Manual Books

1. Where can I buy Kenmore Portable Sewing Machine Manual books? Bookstores: Physical bookstores like Barnes & Noble, Waterstones, and independent local stores. Online Retailers: Amazon, Book Depository, and various online bookstores offer a wide range of books in physical and digital formats.
2. What are the different book formats available? Hardcover: Sturdy and durable, usually more expensive. Paperback: Cheaper, lighter, and more portable than hardcovers. E-books: Digital books available for e-readers like Kindle or software like Apple Books, Kindle, and Google Play Books.
3. How do I choose a Kenmore Portable Sewing Machine Manual book to read? Genres: Consider the genre you enjoy (fiction, non-fiction, mystery, sci-fi, etc.). Recommendations: Ask friends, join book clubs, or explore online reviews and recommendations. Author: If you like a particular author, you might enjoy more of their work.
4. How do I take care of Kenmore Portable Sewing Machine Manual books? Storage: Keep them away from direct sunlight and in a dry environment. Handling: Avoid folding pages, use bookmarks, and handle them with clean hands. Cleaning: Gently dust the covers and pages occasionally.
5. Can I borrow books without buying them? Public Libraries: Local libraries offer a wide range of books for borrowing. Book Swaps: Community book exchanges or online platforms where people exchange books.
6. How can I track my reading progress or manage my book collection? Book Tracking Apps: Goodreads, LibraryThing, and Book Catalogue are popular apps for tracking your reading progress and managing book collections. Spreadsheets: You can create your own spreadsheet to track books read, ratings, and other details.
7. What are Kenmore Portable Sewing Machine Manual audiobooks, and where can I find them? Audiobooks: Audio recordings of books, perfect for listening while commuting or multitasking. Platforms: Audible, LibriVox, and Google Play Books offer a wide selection of audiobooks.
8. How do I support authors or the book industry? Buy Books: Purchase books from authors or independent bookstores. Reviews: Leave reviews on platforms like Goodreads or Amazon. Promotion: Share your favorite books on social media

or recommend them to friends.

9. Are there book clubs or reading communities I can join? Local Clubs: Check for local book clubs in libraries or community centers. Online Communities: Platforms like Goodreads have virtual book clubs and discussion groups.
10. Can I read Kenmore Portable Sewing Machine Manual books for free? Public Domain Books: Many classic books are available for free as they're in the public domain. Free E-books: Some websites offer free e-books legally, like Project Gutenberg or Open Library.

### **Find Kenmore Portable Sewing Machine Manual :**

*map of deciduous forest*

**mark houghton singer**

*mafia boss falls in love*

*manifest my ex boyfriend back*

*marrow of tradition pdf*

*map of dc museums*

mark twain confederate

lyric poetry examples

*macromolecules of living things worksheet answers*

male libido booster pills

marine diesel engineering

**mannheim steamroller music videos**

*man diesel turbo*

**martha's vineyard tourist attractions**

making a balance sheet in excel

### **Kenmore Portable Sewing Machine Manual :**