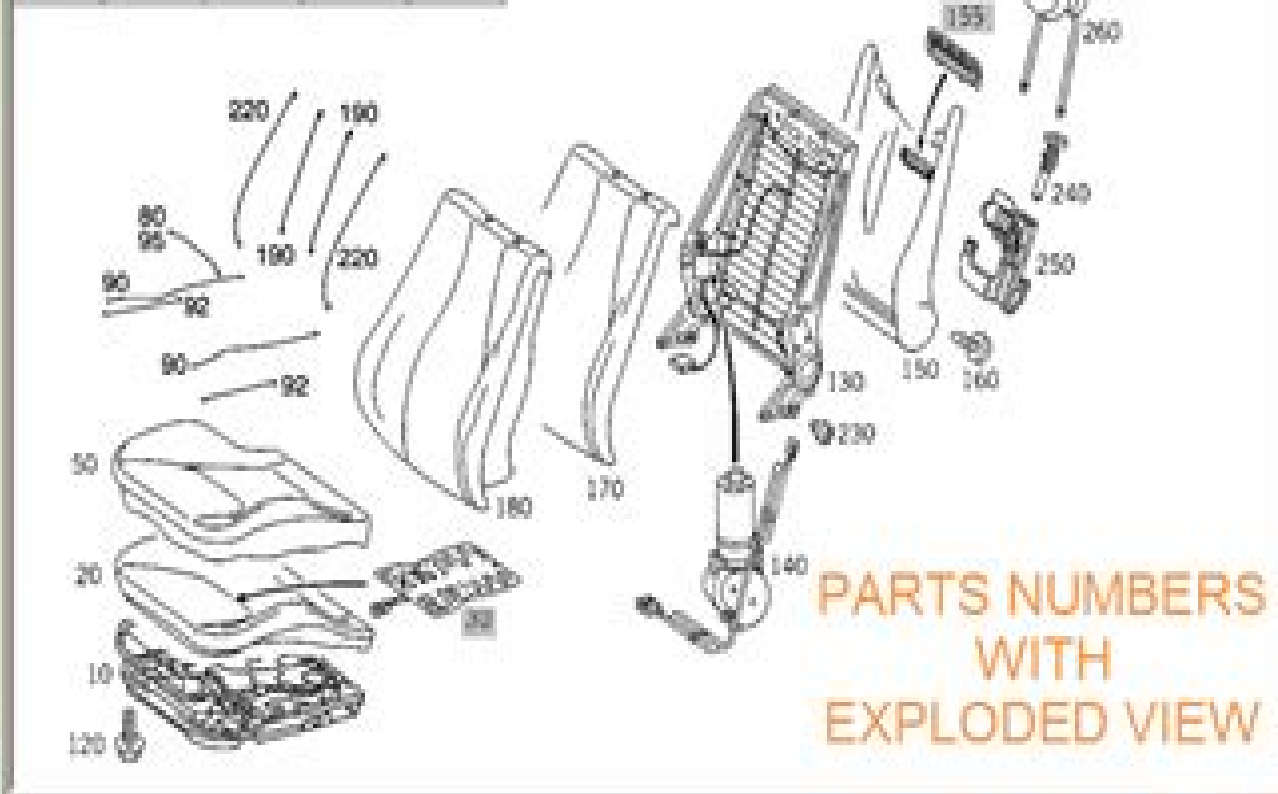




✓	Item	Part number	Designation/Description
<input type="checkbox"/>	10	A 220 910 03 22	<b>CUSHION FRAME LEFT</b> <a href="#">BOM From Chassis</a>
<input type="checkbox"/>	20	A 220 910 02 50	<b>REST LEFT SEAT</b> <a href="#">BOM From Chassis</a> <a href="#">Code: 401</a>
<input type="checkbox"/>	50	A 220 910 05 46 8072	<b>COVER LEATHER TRIM LEFT</b> <a href="#">BOM From Chassis</a> <a href="#">Code: 2706</a>
<input type="checkbox"/>	80	A 460 924 00 29	<b>CLAMP CROSS STAPLE UPHOLSTE LEFT SEAT 205PH</b>
<input type="checkbox"/>	90	A 220 914 05 29	<b>CLAMP LONGITUDINAL STAPLE LI OUT. LEFT/RIGHT, LEFT S</b> <a href="#">BOM From Chassis</a>
<input type="checkbox"/>	92	A 460 924 00 29	<b>CLAMP LONGITUDINAL STAPLE LI CENTER LEFT SEAT 205PH</b>
<input type="checkbox"/>	95	A 203 914 03 29	<b>CLAMP CROSS STAPLE FRONT 20</b>
<input type="checkbox"/>	100	A 006 968 09 78	<b>CLIP STAPLE CUSHION BACK, L</b>
<input type="checkbox"/>	110	A 006 968 12 78	<b>CLIP UPHOLSTERY FO-CUSHION</b>
<input type="checkbox"/>	120	N 924130 006006	<b>SCREW LEFT SEAT CUSHION AT 5.7</b>



**PARTS NUMBERS WITH EXPLODED VIEW**

# **Mercedes Benz Parts Repair Manual**

**Larry Warren, John Harold Haynes**



**Mercedes Benz Parts Repair Manual**

*Mercedes-Benz 230 1963-1968 Autobook* Veloce Press,2001-11-01 VelocePress in close cooperation with Brooklands Books Ltd has brought this and other repair manuals previously published as part of the Autobooks Owners Workshop Manual Series back into print The series is an invaluable resource for the classic car enthusiast and a must have for owners interested in performing their own maintenance

**Mercedes-Benz 280 1968-1972 Owners Workshop Manual** Autobooks,2010-03 As a service to the classic car enthusiast VelocePress in close cooperation with Brooklands Books Ltd has brought this and other repair manuals previously published as part of the Autobook Autopress Owners Workshop Manual Series back into print This series of manuals is an invaluable resource for the classic car enthusiast and a must have for owners interested in performing their own maintenance These manuals include detailed repair service data and comprehensive step by step instructions and illustrations on dismantling overhauling and re assembly Typically they contain individual chapters that deal with the following items Engine Carburetor Fuel System Ignition System Cooling System Clutch Transmission Drive Shaft Rear Axle Rear Suspension Front Suspension Hubs Steering Gear Braking System Electrical Equipment and Bodywork There are many time saving hints and tips included and there is an easy to follow fault diagnosis at the end of each chapter All of the manuals in this series include a detailed index and feature an oil resistant laminated cover

**Mercedes-Benz Diesel** Larry Warren,1987 303 pgs 725 ill

*Mercedes-Benz C-Class Service and Repair Manual* A. K. Legg,R. M. Jex,2003

**Chilton's Mercedes-Benz C-class 2001-07 Repair Manual** Alan Ahlstrand,2008 All Mercedes Benz C class models 01 thru 07

*Mercedes-Benz 250 and 280 Owner's Workshop Manual* John Harold Haynes,P. G. Strasman,2013-02 A maintenance repair manual for the DIY mechanic

**Mercedes-Benz 190, 190E & 190D** Steve Rendle,2004

*Mercedes Benz C-Class Petrol and Diesel Service and Repair Manual* Pete Gill,2009-01-01 Mercedes Benz C Class W203 models with in line petrol and diesel engines C160 C180 C200 C220 C230 C270 Saloon Estate Coupe W203 series inc Kompressor models and special limited editions Petrol 1 8 litre 1796cc 2 0 litre 1998cc 2 3 litre 2295cc Turbo Diesel 2 2 litre 2148cc 2 7 litre 2685cc

**Mercedes - Benz Vito & V-Class Petrol & Diesel Models** Owners Edition,2023-01-31 Series 638 Engines Covered Petrol 4 Cylinders Types 111 950 1998 cc 111 980 2295cc Diesel CDI 4 Cal Types 611 980 2148cc Owners edition This Owners Edition Workshop Manual covers the following Mercedes Benz Vito and V Class petrol and diesel powered vehicles spanning model years 2000 to 2003 The petrol model 113 with 130 b h p engine type 111 and the three diesel models 108 CDI 110 CDI and 112 CDI all fitted with the latest common rail 2.2 litre diesel engines Depending on the version the power units have outputs of 82 b h p 102 b h p and 122 b h p respectively In Sections 0 and 1 can be found further details of the various models and engines dealt with here This manual has been written for the practical owner who wants to maintain their vehicle in first class condition and carry out the bulk of their own servicing and repairs Comprehensive step by step instructions are provided for service and overhaul operations to guide the reader through what might otherwise be unfamiliar and complicated tasks and hundreds of illustrations are included to amplify the text With the aid of this manual many aspects of service overhaul and repair are within the scope of an owner with a reasonable degree of mechanical aptitude Some operations however demand more skill Other jobs require the use of special tools and in some cases testing facilities and techniques that are not generally available Only you can judge whether a job is within your capabilities We do however try to assist the reader to come to an informed decision Whilst every effort has been made to ensure that the information provided is correct it is obviously not possible to guarantee complete freedom from errors or omissions Information to be found in the driver s handbook is not necessarily duplicated here and it is not possible within this volume to cover every aspect to be found in the manufacturer s own workshop manual which is of much greater size and complexity However it should be consulted if more detailed information is needed Always remember that you are responsible for your own safety and that of others when working with you on a vehicle Take particular care with safety related systems like the brakes and steering and seek professional advice if in any doubt Never work under a vehicle unless it is properly supported a single jack is not enough Take care with power tools also regard as potentially harmful fuel lubricants solvents and sealers which should always be stored in labelled sealed containers Always obtain your spare parts from an officially appointed Mercedes Benz dealer With care and common sense the practical owner can make an excellent job of maintenance and overhaul The benefits include money saved and the satisfaction of work well done You will be adding to your knowledge too knowing more about the vehicle you own will help you to make logical decisions about what needs to be done even if it does in some instances have to go into a professional repair shop The Mercedes Benz Vito and V Class vehicles are built with care and precision W regular care and maintenance they will provide long reliable and faithful service

*Mercedes-Benz Diesel 123 Series* John Haynes,1988-04-01 With a Haynes manual you can do it yourself from simple maintenance to basic repairs Haynes writes every book based on a complete teardown of the vehicle We learn the best ways to do a job and that makes it quicker easier and cheaper for you Our books have clear instructions and plenty of photographs that show each step Whether you re a beginner or a pro you can save big with Haynes Step by step procedures Easy to follow photos Complete troubleshooting section Valuable short cuts Color spark plug diagnosis Complete coverage for your Mercedes Benz Diesel 123 Series covering all 200D 220D 240D 240TD 300D 300CD 300TD models designated W123 Series 4 cyl 5 cyl including turbo diesel 1976 thru 1985 Routine Maintenance Tune up procedures Engine repair Cooling and heating Air Conditioning Fuel and exhaust Emissions control Ignition Brakes Suspension and steering Electrical systems Wiring diagrams

*Mercedes-Benz 220b 1959-1965 Owners Workshop Manual* Autobooks,2010-01-01 As a service to the classic car enthusiast VelocePress in close cooperation with Brooklands Books Ltd has brought this and other repair manuals previously published as part of the Autobook Autopress Owners Workshop Manual Series back into print This series of manuals is an invaluable resource for the classic car enthusiast and a must have for owners interested in performing their own maintenance These manuals include detailed repair service data and comprehensive step by step instructions and illustrations on dismantling overhauling and re assembly Typically they contain individual chapters that deal with the following items Engine Carburetor Fuel System Ignition System Cooling System Clutch Transmission Drive Shaft Rear Axle Rear Suspension Front Suspension Hubs Steering Gear Braking System Electrical Equipment and Bodywork There are many time saving hints and tips included and there is an easy to follow fault diagnosis at the end of each chapter All of the manuals in this series include a detailed index and feature an oil resistant laminated cover

*Mercedes-Benz 230, 250 & 280, 1968 Thru 1972* John Harold Haynes,P. G. Strasman,1987

*Mercedes Benz 190 1959-1968 Owners Workshop Manual* Veloce Press,2001-11-01 VelocePress in close cooperation with Brooklands Books Ltd has brought this and other repair manuals previously published as part of the Autobooks Owners Workshop Manual Series back into print The series is an invaluable resource for the classic car enthusiast and a must have for owners interested in performing their own maintenance

**Mercedes-Benz 190, 1984-1988** John Haynes,1990-08-11 Does not cover diesel or 2.6 liter

**Mercedes Benz 123 Series Service and Repair Manual** Larry Warren,John Harold Haynes,2014-04 This is a maintenance and repair manual for the DIY mechanic It covers the Mercedes Benz 123 series

*Mercedes-Benz 124 Series ('85 to '93) Service and Repair Manual* Spencer J. Drayton,Mark Coombs,Steve Rendle,1996 200 230 250 260 280 300 320 Saloon Estate Coupe 124 Series with rear wheel drive Does NOT cover Convertible Limousine 4x4 or E Class range introduced August 1993 Petrol 2.0 litre 1996cc 2.3 litre 2298cc 2.6 litre 2597cc 2.8 litre 2799cc 3.0 litre 2962cc 3.2 litre 3199cc Does NOT cover 4 cyl 16 valve or V8 petrol engines Diesel turbo Diesel 2.0 litre 1997cc 2.5 litre 2497cc 3.0 litre 2996cc

**Mercedes-Benz 280, 1977-1981** John Haynes,1984-10-27 Haynes disassembles every subject vehicle and documents every step with thorough instructions and clear photos Haynes repair manuals are used by the pros but written for the do it yourselfer

**Mercedes-Benz Repair and Tune-Up Guide** Motorbooks International,1987-08 Reprint of a Glenn s manual covering repairs to 180 190 200 219 220 230 250 300 and 600 models Includes performance and mechanical specs wiring diagrams and selected Road Track road tests Pub 1966

*Mercedes E Class Petrol Workshop Manual W210 & W211 Series* Gordon Lund,2012-10-14 This Owners Edition Workshop Manual covers the Mercedes Benz E Class Diesel W210 W211 Series from 2000 to 2006 fitted with the 1.8 2.0 2.6 2.8 3.2 3.5 4.3 5.0 Litre 111 112 113 271 272 with four six eight cylinder petrol engine It has been specially written for the practical owner who wants to maintain a vehicle in first class condition and carry out the bulk of his or her own servicing and repairs Comprehensive step by step instructions are provided for service and overhaul operations to guide the reader through what might otherwise be unfamiliar and complicated tasks Numerous drawings are included to amplify the text With 190 pages well illustrated

Mercedes E Class Petrol Workshop Manual W210 & W211 Series Gordon Lund,2012-10-14 This Owners Edition Workshop Manual covers the Mercedes Benz E Class Diesel W210 W211 Series from 2000 to 2006 fitted with the 1 8 2 0 2 6 2 8 3 2 3 5 4 3 5 0 Litre 111 112 113 271 272 with four six eight cylinder petrol engine It has been specially written for the practical owner who wants to maintain a vehicle in first class condition and carry out the bulk of his or her own servicing and repairs Comprehensive step by step instructions are provided for service and overhaul operations to guide the reader through what might otherwise be unfamiliar and complicated tasks Numerous drawings are included to amplify the text With 190 pages well illustrated

This is likewise one of the factors by obtaining the soft documents of this **Mercedes Benz Parts Repair Manual** by online. You might not require more epoch to spend to go to the ebook opening as capably as search for them. In some cases, you likewise pull off not discover the proclamation Mercedes Benz Parts Repair Manual that you are looking for. It will unconditionally squander the time.

However below, taking into consideration you visit this web page, it will be therefore completely easy to acquire as competently as download lead Mercedes Benz Parts Repair Manual

It will not consent many epoch as we tell before. You can do it even though proceed something else at home and even in your workplace. thus easy! So, are you question? Just exercise just what we have the funds for under as well as review **Mercedes Benz Parts Repair Manual** what you when to read!

[https://offsite.creighton.edu/About/publication/Documents/juki\\_tl2010q\\_manual.pdf](https://offsite.creighton.edu/About/publication/Documents/juki_tl2010q_manual.pdf)

<https://offsite.creighton.edu/About/publication/Documents/julie%20volk%20car%20accident.pdf>

[https://offsite.creighton.edu/About/publication/Documents/josephine\\_baker\\_book.pdf](https://offsite.creighton.edu/About/publication/Documents/josephine_baker_book.pdf)

## **Table of Contents Mercedes Benz Parts Repair Manual**

1. Understanding the eBook Mercedes Benz Parts Repair Manual
  - The Rise of Digital Reading Mercedes Benz Parts Repair Manual
  - Advantages of eBooks Over Traditional Books
2. Identifying Mercedes Benz Parts Repair Manual
  - Exploring Different Genres
  - Considering Fiction vs. Non-Fiction
  - Determining Your Reading Goals
3. Choosing the Right eBook Platform
  - Popular eBook Platforms
  - Features to Look for in an Mercedes Benz Parts Repair Manual
  - User-Friendly Interface
4. Exploring eBook Recommendations from Mercedes Benz Parts Repair Manual

- Personalized Recommendations
  - Mercedes Benz Parts Repair Manual User Reviews and Ratings
  - Mercedes Benz Parts Repair Manual and Bestseller Lists
5. Accessing Mercedes Benz Parts Repair Manual Free and Paid eBooks
    - Mercedes Benz Parts Repair Manual Public Domain eBooks
    - Mercedes Benz Parts Repair Manual eBook Subscription Services
    - Mercedes Benz Parts Repair Manual Budget-Friendly Options
  6. Navigating Mercedes Benz Parts Repair Manual eBook Formats
    - ePub, PDF, MOBI, and More
    - Mercedes Benz Parts Repair Manual Compatibility with Devices
    - Mercedes Benz Parts Repair Manual Enhanced eBook Features
  7. Enhancing Your Reading Experience
    - Adjustable Fonts and Text Sizes of Mercedes Benz Parts Repair Manual
    - Highlighting and Note-Taking Mercedes Benz Parts Repair Manual
    - Interactive Elements Mercedes Benz Parts Repair Manual
  8. Staying Engaged with Mercedes Benz Parts Repair Manual
    - Joining Online Reading Communities
    - Participating in Virtual Book Clubs
    - Following Authors and Publishers Mercedes Benz Parts Repair Manual
  9. Balancing eBooks and Physical Books Mercedes Benz Parts Repair Manual
    - Benefits of a Digital Library
    - Creating a Diverse Reading Collection Mercedes Benz Parts Repair Manual
  10. Overcoming Reading Challenges
    - Dealing with Digital Eye Strain
    - Minimizing Distractions
    - Managing Screen Time
  11. Cultivating a Reading Routine Mercedes Benz Parts Repair Manual
    - Setting Reading Goals Mercedes Benz Parts Repair Manual
    - Carving Out Dedicated Reading Time
  12. Sourcing Reliable Information of Mercedes Benz Parts Repair Manual



- Fact-Checking eBook Content of Mercedes Benz Parts Repair Manual
  - Distinguishing Credible Sources
13. Promoting Lifelong Learning
- Utilizing eBooks for Skill Development
  - Exploring Educational eBooks
14. Embracing eBook Trends
- Integration of Multimedia Elements
  - Interactive and Gamified eBooks

### **Mercedes Benz Parts Repair Manual Introduction**

In the digital age, access to information has become easier than ever before. The ability to download Mercedes Benz Parts Repair Manual has revolutionized the way we consume written content. Whether you are a student looking for course material, an avid reader searching for your next favorite book, or a professional seeking research papers, the option to download Mercedes Benz Parts Repair Manual has opened up a world of possibilities. Downloading Mercedes Benz Parts Repair Manual provides numerous advantages over physical copies of books and documents. Firstly, it is incredibly convenient. Gone are the days of carrying around heavy textbooks or bulky folders filled with papers. With the click of a button, you can gain immediate access to valuable resources on any device. This convenience allows for efficient studying, researching, and reading on the go. Moreover, the cost-effective nature of downloading Mercedes Benz Parts Repair Manual has democratized knowledge. Traditional books and academic journals can be expensive, making it difficult for individuals with limited financial resources to access information. By offering free PDF downloads, publishers and authors are enabling a wider audience to benefit from their work. This inclusivity promotes equal opportunities for learning and personal growth. There are numerous websites and platforms where individuals can download Mercedes Benz Parts Repair Manual. These websites range from academic databases offering research papers and journals to online libraries with an expansive collection of books from various genres. Many authors and publishers also upload their work to specific websites, granting readers access to their content without any charge. These platforms not only provide access to existing literature but also serve as an excellent platform for undiscovered authors to share their work with the world. However, it is essential to be cautious while downloading Mercedes Benz Parts Repair Manual. Some websites may offer pirated or illegally obtained copies of copyrighted material. Engaging in such activities not only violates copyright laws but also undermines the efforts of authors, publishers, and researchers. To ensure ethical downloading, it is advisable to utilize reputable websites that prioritize the legal distribution of content. When downloading Mercedes Benz Parts Repair Manual, users should also

consider the potential security risks associated with online platforms. Malicious actors may exploit vulnerabilities in unprotected websites to distribute malware or steal personal information. To protect themselves, individuals should ensure their devices have reliable antivirus software installed and validate the legitimacy of the websites they are downloading from. In conclusion, the ability to download Mercedes Benz Parts Repair Manual has transformed the way we access information. With the convenience, cost-effectiveness, and accessibility it offers, free PDF downloads have become a popular choice for students, researchers, and book lovers worldwide. However, it is crucial to engage in ethical downloading practices and prioritize personal security when utilizing online platforms. By doing so, individuals can make the most of the vast array of free PDF resources available and embark on a journey of continuous learning and intellectual growth.

## **FAQs About Mercedes Benz Parts Repair Manual Books**

1. Where can I buy Mercedes Benz Parts Repair Manual books? Bookstores: Physical bookstores like Barnes & Noble, Waterstones, and independent local stores. Online Retailers: Amazon, Book Depository, and various online bookstores offer a wide range of books in physical and digital formats.
2. What are the different book formats available? Hardcover: Sturdy and durable, usually more expensive. Paperback: Cheaper, lighter, and more portable than hardcovers. E-books: Digital books available for e-readers like Kindle or software like Apple Books, Kindle, and Google Play Books.
3. How do I choose a Mercedes Benz Parts Repair Manual book to read? Genres: Consider the genre you enjoy (fiction, non-fiction, mystery, sci-fi, etc.). Recommendations: Ask friends, join book clubs, or explore online reviews and recommendations. Author: If you like a particular author, you might enjoy more of their work.
4. How do I take care of Mercedes Benz Parts Repair Manual books? Storage: Keep them away from direct sunlight and in a dry environment. Handling: Avoid folding pages, use bookmarks, and handle them with clean hands. Cleaning: Gently dust the covers and pages occasionally.
5. Can I borrow books without buying them? Public Libraries: Local libraries offer a wide range of books for borrowing. Book Swaps: Community book exchanges or online platforms where people exchange books.
6. How can I track my reading progress or manage my book collection? Book Tracking Apps: Goodreads, LibraryThing, and Book Catalogue are popular apps for tracking your reading progress and managing book collections. Spreadsheets: You can create your own spreadsheet to track books read, ratings, and other details.
7. What are Mercedes Benz Parts Repair Manual audiobooks, and where can I find them? Audiobooks: Audio recordings of

- books, perfect for listening while commuting or multitasking. Platforms: Audible, LibriVox, and Google Play Books offer a wide selection of audiobooks.
8. How do I support authors or the book industry? Buy Books: Purchase books from authors or independent bookstores. Reviews: Leave reviews on platforms like Goodreads or Amazon. Promotion: Share your favorite books on social media or recommend them to friends.
  9. Are there book clubs or reading communities I can join? Local Clubs: Check for local book clubs in libraries or community centers. Online Communities: Platforms like Goodreads have virtual book clubs and discussion groups.
  10. Can I read Mercedes Benz Parts Repair Manual books for free? Public Domain Books: Many classic books are available for free as they're in the public domain. Free E-books: Some websites offer free e-books legally, like Project Gutenberg or Open Library.

### **Find Mercedes Benz Parts Repair Manual :**

**juki tl2010q manual**

[julie volk car accident](#)

**josephine baker book**

[joe talbert series](#)

**job site safety meeting forms**

**josephine baker singing**

[john corry new york times](#)

**jlg dog training**

[johnson 3hp outboard](#)

[jsa examples for electrical](#)

[jennifer crusie books](#)

[jodi picoult choice](#)

[juniper rash pictures](#)

[jerry baker lawn tonic](#)

[jim murray whisky bible 2023 release date](#)

**Mercedes Benz Parts Repair Manual :**

*the real book volume 1 e flat edition lingua ingle pdf pdf* - Nov 10 2022

web download and install the the real book volume 1 e flat edition lingua ingle pdf it is totally simple then past currently we extend the colleague to purchase and make bargains to download and install the real book volume 1 e flat edition lingua ingle pdf correspondingly simple the real book volume 1 e flat edition lingua ingle copy

**the real book volume i c edition 6th edition kindle edition** - Dec 11 2022

web sep 1 2004 the real book volume i c edition kindle edition by hal leonard corporation download it once and read it on your kindle device pc phones or tablets the real book vol 1 in b flat playalong bk usb drive 32 plastic comb 68 99 68 99 the real book volume i sixth edition bass clef instruments mini edition 41

*the real book volume 1 e flat edition lingua ingle copy* - Aug 07 2022

web merely said the the real book volume 1 e flat edition lingua ingle is universally compatible gone any devices to read catalogue 1807 1871 boston mass athenaeum libr 1876 dizionario italiano ed inglese di giuseppe baretti 1828

**the real book volume 1 e flat edition lingua ingle download** - Feb 13 2023

web the real book volume 1 e flat edition lingua ingle a history of western society concise edition volume 1 sources for western society oct 19 2020 praised by instructors and students alike for its readability and attention to everyday life the new concise edition of a history of western society provides the full narrative of the

**the real book sixth edition volume 1 hal leonard free** - Aug 19 2023

web jul 9 2021 the real book sixth edition volume 1 addeddate 2021 07 09 17 11 50 identifier the real book sixth edition volume 1 ocr tesseract 5 0 0 alpha 20201231 10 g1236 ocr autonomous true

*the real book volume 1 e flat edition lingua ingle pdf full pdf* - Sep 08 2022

web aug 2 2023 in this remarkable book sacks explores the consequences of this including the different ways in which the deaf and the hearing impaired learn to categorize their respective worlds and how they convey and communicate

*the real book volume 1 b flat edition real books hal* - Mar 14 2023

web the real book volume 1 b flat edition real books hal leonard hal leonard publishing corporation amazon com tr kitap

**the real book volume 1 e flat edition lingua ingle pdf 2023** - Feb 01 2022

web introduction the real book volume 1 e flat edition lingua ingle pdf 2023 the real book volume i sixth edition hal leonard corp 2013 02 real book play along this usb stick includes backing tracks for 240 songs from the real book volume 1 so you can play along with a real rhythm section piano bass and drums professionally

*the real book volume 1 e flat edition lingua ingle paul carus* - Apr 03 2022

web we give the real book volume 1 e flat edition lingua ingle and numerous book collections from fictions to scientific

research in any way in the midst of them is this the real book volume 1 e flat edition lingua ingle that can be your partner the real latin book hal leonard corp 2014 03 01 fake book

[the real book volume 1 e flat edition lingua ingle raimon](#) - Jun 05 2022

web the money for the real book volume 1 e flat edition lingua ingle and numerous book collections from fictions to scientific research in any way along with them is this the real book volume 1 e flat edition lingua ingle that can be your partner british books 1907 green building handbook volume 2 tom woolley 2003 09 02 this key handbook

**the real book volume i eb edition real books hal leonard 1** - Jan 12 2023

web jul 1 2005 the real book volume i eb edition real books hal leonard 1 kindle edition by hal leonard download it once and read it on your kindle device pc phones or tablets use features like bookmarks note taking and highlighting while reading the real book volume i eb edition real books hal leonard 1

**the real book volume 1 e flat edition lingua ingle download** - Jul 18 2023

web this edition edited by one of the leading figures in the conrad controversy includes an introduction and explanatory notes as well as a fascinating variety of contemporary documents that help to set this extraordinary work in

[the real book volume 1 e flat edition lingua ingle raimon panikkar book](#) - Jun 17 2023

web the real book volume 1 e flat edition lingua ingle the real book volume 1 e flat edition lingua ingle 2 downloaded from rjonline org on 2020 03 28 by guest bmi general index broadcast music inc 1943 china marine e b sledge 2003 originally published tuscaloosa university of alabama press c2002

[the real book volume 1 e flat edition ackerman music](#) - May 16 2023

web the real book volume 1 e flat edition includes 400 songs such as all blues au privave body and soul dolphin dance falling in love with love giant how high the moon my funny valentine stella by starlight there is no greater love wave and hundreds more

**real book1 eb free download borrow and streaming internet archive** - Apr 15 2023

web an illustration of an open book books an illustration of two cells of a film strip video an illustration of an audio speaker audio an illustration of a 3 5 floppy disk fakebook real book1 eb identifier ark ark 13960 t05x3nb04 ocr abbyy finereader 8 0 ppi 600 plus circle add review comment

[the real book volume 1 e flat edition lingua ingle free pdf books](#) - May 04 2022

web the real book volume iv e flat edition 2014 backing tracks the official real book latin may 24th 2020 pdf the real dixieland book b flat instruments free 2018 read the real latin book by hal leonard llc oct 1th 2023john coltrane omnibook c instruments lingua ingle pdf freenicolos slonimsky s thesaurus of scales and

[the real book volume 1 e flat edition lingua inglese eb](#) - Sep 20 2023

web the real book volume 1 e flat edition lingua inglese eb instruments hal leonard publishing corporation amazon it libri  
*the real book volume 1 e flat edition lingua inglese pdf* - Jul 06 2022

web mar 24 2023 the real book volume 1 e flat edition lingua inglese as one of the most energetic sellers here will utterly be  
in the middle of the best options to review the jazz standards progressions book vol 1 mario cerra 2020 05 28 this is  
*the real book volume 1 e flat edition lingua inglese book* - Mar 02 2022

web 1 the real book volume 1 e flat edition lingua inglese this is likewise one of the factors by obtaining the soft documents of  
this the real book volume 1 e flat edition lingua inglese by online you might not require more epoch to spend to go to the ebook  
launch as capably as search for them

**read free the real book volume 1 e flat edition lingua inglese pdf** - Oct 09 2022

web pay for the real book volume 1 e flat edition lingua inglese pdf and numerous book collections from fictions to scientific  
research in any way accompanied by them is this the real book volume 1 e flat edition lingua inglese pdf that can be your  
partner

**das ende der hardseller so verkaufen sie erfolgreicher als die** - May 02 2023

web allerdings trifft das nur auf jene zu die an altmodischen hardselling konzepten festhalten die digitalisierung fordert neue  
kompetenzen und werte wer beziehungen aufbauen

**das ende der hardseller so verkaufen sie erfolgreicher pdf** - May 22 2022

web mar 28 2023 message das ende der hardseller so verkaufen sie erfolgreicher that you are looking for it will unquestionably  
squander the time however below subsequently you

*das ende der hardseller so verkaufen sie erfolgreicher als die* - Oct 07 2023

web das ende der hardseller so verkaufen sie erfolgreicher als die konkurrenz und das internet künzl michael isbn  
9783527509577 kostenloser versand für alle bücher

das ende der hardseller so verkaufen sie erfolgreicher buch - Aug 25 2022

web das ende der hardseller so verkaufen sie erfolgreicher buch zustand sehr gut siehe details auf ebay erhältlich bei eur 15 37  
sofort kaufen kostenloser versand ebay

**das ende der hardseller so verkaufen sie erfolgreicher full pdf** - Nov 15 2021

web nicht der abschluss der einen erfolgreichen verkäufer ausmacht sondern der kundenschwarmeffect spitzenverkäufer  
wollen zum schwarm ihrer kunden werden

*pdf das ende der hardseller so verkaufen sie erfolgreicher* - Apr 01 2023

web wird ihnen den weg ebnet um das vertrauen ihrer kunden zu gewinnen und sie schneller zum abschluss zu führen  
anschaulich und speziell auf die belange im verkauf

das ende der hardseller so verkaufen sie erfolgre download - Apr 20 2022

web den gebieten der gehirnforschung psychologie technologie künstlicher intelligenz und vertrieb zeigen dir wie du verkaufen kannst ohne zu verkaufen und dich dabei endlich

**hard sell wikipedia** - Dec 17 2021

web hard sell in advertising a hard sell is an advertisement or campaign that uses a more direct forceful and overt sales message as opposed to a soft sell the term is also

**das ende der hardseller so verkaufen sie erfolgre pdf** - Sep 06 2023

web oct 11 2023 das ende der hardseller so verkaufen sie erfolgre das ende der hardseller so verkaufen sie erfolgre 2 downloaded from ead3 archivists org on

□ *hard selling definition erklärung mit zusammenfassung u* - Jan 18 2022

web der inhalt zur erklärung von hard selling folgt in kürze war die erklärung zu hard selling hilfreich jetzt bewerten weitere erklärungen zu portfolio analyse bcg matrix

**das ende der hardseller so verkaufen sie erfolgre copy** - Jul 24 2022

web sales lady sein kann das nachsehen hat der hardseller das gilt auch für die weichgespülte neue variante die sich das deckmäntelchen des kundenverstehers

**das ende der hardseller so verkaufen sie erfolgre pdf** - Sep 25 2022

web 4 das ende der hardseller so verkaufen sie erfolgre 2020 08 14 prozesse bei der tätigkeit von spendenorganisationen beleuchtet als auch die praktische umsetzung

**das ende der hardseller so verkaufen sie erfolgreicher als die** - Jul 04 2023

web das ende der hardseller book read reviews from world s largest community for readers die gute nachricht ist gekauft wird immer und aktuell mehr denn

das ende der hardseller so verkaufen sie erfolgre pdf - Oct 27 2022

web das ende der hardseller so verkaufen sie erfolgre 3 3 heute zu den top acts der scene durch cleverness mut ehrlichkeit und eiserne disziplin hat er in wenigen

das ende der hardseller so verkaufen sie erfolgreicher als die - Dec 29 2022

web das gilt auch für die weichgespülte neue variante die sich das deckmäntelchen des kundenverstehers umhängt dabei den umsatz aber weiterhin fester im blick hat als sein

**das ende der hardseller so verkaufen sie erfolgre** - Aug 05 2023

web 2 das ende der hardseller so verkaufen sie erfolgre 2020 01 08 getting yes tomorrow jeffrey gitomer author of the little red book of selling this book will keep you going

**das ende der hardseller so verkaufen sie erfolgreicher als die** - Jan 30 2023

web buy das ende der hardseller so verkaufen sie erfolgreicher als die konkurrenz und das internet by michael kunzl online at alibris we have new and used copies available

**das ende der hardseller so verkaufen sie erfolgre 2023** - Nov 27 2022

web es kommt auf den verkäufer es kommt auf den menschen an lars schäfer zeigt in diesem buch welche fähigkeiten verkäufer von morgen heute schon brauchen und wie

pdf das ende der hardseller by michael kunzl perlego - Feb 28 2023

web das ende der hardseller 1st ed wiley perlego com book 993603 das ende der hardseller so verkaufen sie erfolgreicher als die konkurrenz und das internet pdf

**das ende der hardseller so verkaufen sie erfolgreicher als die** - Mar 20 2022

web oct 6 2023 verkaufen sie erfolgreicher das ende der hardseller so verkaufen sie ab 19 99 das neue hardselling verkaufen heißt verkaufen so wiley vch das ende der

**das ende der hardseller so verkaufen sie erfolgreicher als die** - Jun 03 2023

web das gilt auch für die weichgespülte neue variante die sich das deckmäntelchen des kundenverstehers umhängt dabei den umsatz aber weiterhin fester im blick hat als sein

**what is a hard sell definition vs soft sell and characteristics** - Feb 16 2022

web jan 28 2023 hard sell advertising and sales practices denoted by aggressive or forceful language a hard sell is designed to get a consumer to purchase a good or service in the

**das ende der hardseller so verkaufen sie erfolgre copy** - Jun 22 2022

web das ende der hardseller so verkaufen sie erfolgre neues fremden blatt feb 08 2022 processus juris in foro saxonico nov 12 2019 the new digital storytelling apr 17

*amazon com customer reviews my first read and learn book of prayers* - Aug 04 2022

web find helpful customer reviews and review ratings for my first read and learn book of prayers american bible society at amazon com read honest and unbiased product reviews from our users

my first read and learn book of prayers □□ □□□□ - May 01 2022

web prayers that we never outgrow with charming colorful illustrations the my first read and learn book of prayers helps children discover the beauty of prayer and form the lifelong habit of praying the perfect gift for easter this is a

**my first read and learn book of prayers book fairs** - Feb 27 2022

web prayers that we never outgrow with charming colorful illustrations the my first read and learn book of prayers helps children discover the beauty of praye



**my first read and learn book of prayers board book amazon ca** - Dec 08 2022

web my first read and learn book of prayers simon dr mary manz duendes del sur 9780439906326 books amazon ca

**my first read and learn book of prayers goodreads** - Jun 14 2023

web feb 1 2007 19 ratings0 reviews prayers for young hearts minds and souls prayers that we never outgrow with charming colorful illustrations the my first read and learn book of prayers helps children discover the beauty of

*my first read and learn book of prayers dr mary manz simon* - Oct 06 2022

web more than 500 000 copies sold fold your hands bow your head and close your eyes with these simple actions a young child can begin a lifelong conversation with god my first read and learn book of prayers will help preschoolers learn to talk with god anytime anywhere buy from cbd

**my first read and learn book of prayers bookshop** - Jan 09 2023

web prayers for young hearts minds and soulsprayers that we never outgrow with charming colorful illustrations the my first read and learn book of prayers helps children discover the beauty of prayer and form the lifelong habit of praying

[my first book of prayers amazon com](#) - Jan 29 2022

web jan 1 2001 the colorful pictures keep the attention of little eyes and it seems almost every child could find themselves somewhere in the book it is also great to include a poem like prayer by emerson the book progresses through the day ending with prayers to say at night read this book with your child learn the prayers with your child and say them

[my first read and learn book of prayers little shepherd book](#) - Feb 10 2023

web feb 1 2007 my first read and learn book of prayers little shepherd book by mary manz simon february 1 2007 scholastic edition in english

*my first read and learn book of prayers archive org* - Jul 15 2023

web my first read and learn book of prayers by simon mary manz 1948 publication date 2007 topics prayers children families meditations prayers children families meditations prayers publisher new york scholastic

**my first read and learn book of prayers by dr mary manz** - Jun 02 2022

web jul 27 2022 my first read and learn book of prayers by dr mary manz simon etsy 725 sales my first read and learn book of prayers by dr mary manz simon free shipping returns exchanges accepted 13 00 only 1 available add to cart order soon this item is hard to come by arrives by nov 15 if you order today hooray this item

*my first read and learn book of prayers* [ ] [ ] [ ] [ ] - Mar 31 2022

web with charming colorful illustrations the my first read and learn book of prayers helps children discover the beauty of prayer and form the lifelong habit of praying the perfect gift for easter this is a keepsake that children will treasure for years

*my first read and learn book of prayers barnes noble* - Mar 11 2023

web feb 1 2007 prayers that we never outgrow with charming colorful illustrations the my first read and learn book of prayers helps children discover the beauty of prayer and form the lifelong habit of praying the perfect gift for easter this is a keepsake that children will treasure for years

**my first read and learn book of prayers story book** - Jul 03 2022

web with charming colorful illustrations the my first read and learn book of prayers helps children discover the beauty of prayer and form the lifelong habit of praying the perfect gift for easter this is a keepsake that children will treasure for years  
*my first read and learn book of prayers bookpal* - Sep 05 2022

web order the book my first read and learn book of prayers board book in bulk at wholesale prices isbn 9780439906326 by mary manz simon

**my first read and learn book of prayers christianbook com** - Aug 16 2023

web prayers that we never outgrow with charming colorful illustrations the my first read and learn book of prayers helps children discover the beauty of prayer and form the lifelong habit of praying the perfect gift for easter this is a

**my first read and learn book of prayers american bible society** - May 13 2023

web feb 1 2007 with charming colorful illustrations the my first read and learn book of prayers helps children discover the beauty of prayer and form the lifelong habit of praying the perfect gift for easter this is a keepsake that children will treasure for years

*mi primer libro de oraciones spanish language edition of my first* - Dec 28 2021

web feb 1 2009 prayers for young hearts minds and souls prayers that we never outgrow with charming colorful illustrations the my first read and learn book of prayers helps children discover the beauty of prayer and form the lifelong habit of praying the perfect gift for easter this is a keepsake that children will treasure for years

my first read and learn book of prayers scholastic asia - Apr 12 2023

web quot prayers that we never outgrow with charming colorful illustrations the my first read and learn book of prayers helps children discover the beauty of prayer and form the lifelong habit of praying the perfect gift for easter this is a keepsake that children will treasure for years quot

**product detail page scholastic** - Nov 07 2022

web description prayers that we never outgrow with charming colorful illustrations the my first read and learn book of prayers helps children discover the beauty of prayer and form the lifelong habit of praying the perfect gift for easter this is a keepsake that children will treasure for years