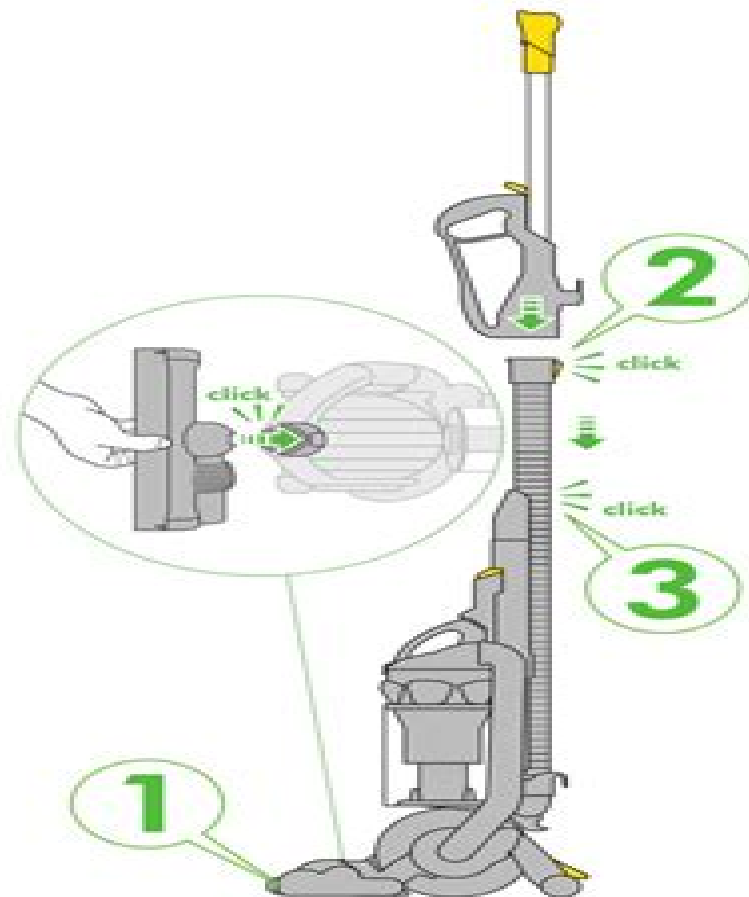


ASSEMBLY



Dyson 14 Manual

RD Boyd



Dyson 14 Manual

Uncover the mysteries within Explore with its enigmatic creation, Embark on a Mystery with **Dyson 14 Manual** . This downloadable ebook, shrouded in suspense, is available in a PDF format (Download in PDF: *). Dive into a world of uncertainty and anticipation. Download now to unravel the secrets hidden within the pages.

<https://offsite.creighton.edu/data/publication/index.jsp/Hooked%20On%20Phonics%20Customer%20Service.pdf>

https://offsite.creighton.edu/data/publication/index.jsp/how_do_i_become_a_baptist_minister.pdf

<https://offsite.creighton.edu/data/publication/index.jsp/how%20to%20become%20a%20correctional%20officer%20in%20nyc.pdf>

Table of Contents Dyson 14 Manual

1. Understanding the eBook Dyson 14 Manual
 - The Rise of Digital Reading Dyson 14 Manual
 - Advantages of eBooks Over Traditional Books
2. Identifying Dyson 14 Manual
 - Exploring Different Genres
 - Considering Fiction vs. Non-Fiction
 - Determining Your Reading Goals
3. Choosing the Right eBook Platform
 - Popular eBook Platforms
 - Features to Look for in an Dyson 14 Manual
 - User-Friendly Interface
4. Exploring eBook Recommendations from Dyson 14 Manual
 - Personalized Recommendations
 - Dyson 14 Manual User Reviews and Ratings
 - Dyson 14 Manual and Bestseller Lists
5. Accessing Dyson 14 Manual Free and Paid eBooks
 - Dyson 14 Manual Public Domain eBooks
 - Dyson 14 Manual eBook Subscription Services
 - Dyson 14 Manual Budget-Friendly Options

6. Navigating Dyson 14 Manual eBook Formats
 - ePub, PDF, MOBI, and More
 - Dyson 14 Manual Compatibility with Devices
 - Dyson 14 Manual Enhanced eBook Features
7. Enhancing Your Reading Experience
 - Adjustable Fonts and Text Sizes of Dyson 14 Manual
 - Highlighting and Note-Taking Dyson 14 Manual
 - Interactive Elements Dyson 14 Manual
8. Staying Engaged with Dyson 14 Manual
 - Joining Online Reading Communities
 - Participating in Virtual Book Clubs
 - Following Authors and Publishers Dyson 14 Manual
9. Balancing eBooks and Physical Books Dyson 14 Manual
 - Benefits of a Digital Library
 - Creating a Diverse Reading Collection Dyson 14 Manual
10. Overcoming Reading Challenges
 - Dealing with Digital Eye Strain
 - Minimizing Distractions
 - Managing Screen Time
11. Cultivating a Reading Routine Dyson 14 Manual
 - Setting Reading Goals Dyson 14 Manual
 - Carving Out Dedicated Reading Time
12. Sourcing Reliable Information of Dyson 14 Manual
 - Fact-Checking eBook Content of Dyson 14 Manual
 - Distinguishing Credible Sources
13. Promoting Lifelong Learning
 - Utilizing eBooks for Skill Development
 - Exploring Educational eBooks
14. Embracing eBook Trends
 - Integration of Multimedia Elements

- Interactive and Gamified eBooks

Dyson 14 Manual Introduction

Dyson 14 Manual Offers over 60,000 free eBooks, including many classics that are in the public domain. Open Library: Provides access to over 1 million free eBooks, including classic literature and contemporary works. Dyson 14 Manual Offers a vast collection of books, some of which are available for free as PDF downloads, particularly older books in the public domain. Dyson 14 Manual : This website hosts a vast collection of scientific articles, books, and textbooks. While it operates in a legal gray area due to copyright issues, its a popular resource for finding various publications. Internet Archive for Dyson 14 Manual : Has an extensive collection of digital content, including books, articles, videos, and more. It has a massive library of free downloadable books. Free-eBooks Dyson 14 Manual Offers a diverse range of free eBooks across various genres. Dyson 14 Manual Focuses mainly on educational books, textbooks, and business books. It offers free PDF downloads for educational purposes. Dyson 14 Manual Provides a large selection of free eBooks in different genres, which are available for download in various formats, including PDF. Finding specific Dyson 14 Manual, especially related to Dyson 14 Manual, might be challenging as theyre often artistic creations rather than practical blueprints. However, you can explore the following steps to search for or create your own Online Searches: Look for websites, forums, or blogs dedicated to Dyson 14 Manual, Sometimes enthusiasts share their designs or concepts in PDF format. Books and Magazines Some Dyson 14 Manual books or magazines might include. Look for these in online stores or libraries. Remember that while Dyson 14 Manual, sharing copyrighted material without permission is not legal. Always ensure youre either creating your own or obtaining them from legitimate sources that allow sharing and downloading. Library Check if your local library offers eBook lending services. Many libraries have digital catalogs where you can borrow Dyson 14 Manual eBooks for free, including popular titles. Online Retailers: Websites like Amazon, Google Books, or Apple Books often sell eBooks. Sometimes, authors or publishers offer promotions or free periods for certain books. Authors Website Occasionally, authors provide excerpts or short stories for free on their websites. While this might not be the Dyson 14 Manual full book , it can give you a taste of the authors writing style. Subscription Services Platforms like Kindle Unlimited or Scribd offer subscription-based access to a wide range of Dyson 14 Manual eBooks, including some popular titles.

FAQs About Dyson 14 Manual Books

How do I know which eBook platform is the best for me? Finding the best eBook platform depends on your reading preferences and device compatibility. Research different platforms, read user reviews, and explore their features before

making a choice. Are free eBooks of good quality? Yes, many reputable platforms offer high-quality free eBooks, including classics and public domain works. However, make sure to verify the source to ensure the eBook credibility. Can I read eBooks without an eReader? Absolutely! Most eBook platforms offer web-based readers or mobile apps that allow you to read eBooks on your computer, tablet, or smartphone. How do I avoid digital eye strain while reading eBooks? To prevent digital eye strain, take regular breaks, adjust the font size and background color, and ensure proper lighting while reading eBooks. What the advantage of interactive eBooks? Interactive eBooks incorporate multimedia elements, quizzes, and activities, enhancing the reader engagement and providing a more immersive learning experience. Dyson 14 Manual is one of the best book in our library for free trial. We provide copy of Dyson 14 Manual in digital format, so the resources that you find are reliable. There are also many Ebooks of related with Dyson 14 Manual. Where to download Dyson 14 Manual online for free? Are you looking for Dyson 14 Manual PDF? This is definitely going to save you time and cash in something you should think about.

Find Dyson 14 Manual :

[hooked on phonics customer service](#)

[how do i become a baptist minister](#)

[how to become a correctional officer in nyc](#)

[how jackie robinson changed the world](#)

[how is cytokinesis different in plants and animals](#)

[how is math used in firefighting](#)

[**houghton mifflin math grade 4 answer key pdf**](#)

[how i healed my cavities naturally](#)

[how do you pronounce pedagogy](#)

[how many lost treasures are there](#)

[hormone balancing diet book](#)

[hospice narrative examples](#)

[house of coates](#)

[hormone harmony method](#)

[**how to buy amazon fba liquidation**](#)

Dyson 14 Manual :

[la cena secreta alternativa comunidad en escena - Sep 09 2023](#)

web la cena secreta vivi el espectaculo del que habla todo buenos aires descubri la experiencia multisensorial diseÑada para disfrutar de una noche en compaÑia de tu pareja parejas de amigxs amigxs con en alternativa comunidad en escena
la cena secreta javier sierra casa del libro - Jan 01 2023

web esta excepcional edici n de la cena secreta tiene un claro prop sito convertir al lector en testigo privilegiado de todos los enigmas que conforman el genial universo del maestro da vinci que fue el art fice de una obra que ha legado a
leonardo da vinci il segreto dell ultima cena youtube - Jun 25 2022

web sep 9 2023 leonardo da vinci the secret of the last supper

la cena the dinner filmi sinemalar com - Sep 28 2022

web la cena filminin özeti yorumları oyuncular ve seansları hakkında bilgilere ulaşmak film fragmanını izlemek için tıklayın

la cena secreta libro de javier sierra reseña resumen y - Feb 02 2023

web resumen y sinopsis de la cena secreta de javier sierra fray agustín leyre inquisidor dominico experto en la interpretación de mensajes cifrados es enviado a toda prisa a milán para supervisar los trazos finales que el maestro

21 lugares secretos de bilbao que tenéis que conocer time out - Aug 28 2022

web una cena secreta en un lugar secreto por qué ir la clave de estas cenas es saber aprovechar un espacio que en principio no es un restaurante y acondicionarlo como tal

javier sierra la cena secreta youtube - Apr 04 2023

web aug 1 2023 javier sierra la cena secreta plaza janés buenos aires 2005 360 pp novela iberoamericana

la cena secreta best seller sierra javier amazon es libros - Jun 06 2023

web esta excepcional edición de la cena secreta tiene un claro propósito convertir al lector en testigo privilegiado de todos los enigmas que conforman el genial universo del maestro da vinci que fue el artífice de una obra que ha legado a la
la cena secreta sierra javier 1971 free download borrow - May 05 2023

web la cena secreta by sierra javier 1971 publication date 2006 topics thrillers fiction thrillers fiction fiction espionaje thriller 1452 1519 last supper leonardo da vinci spanish adult fiction leonardo da vinci 1452 1519 u ltima cena publisher

la cena film 1998 mymovies it - Mar 23 2022

web la cena un film di ettore scola scola torna ad allargare lo sguardo su un umanità varia con vittorio gassman giancarlo giannini stefania sandrelli fanny ardant eros pagni commedia italia 1998

the secret supper wikipedia - Oct 10 2023

web the secret supper is a thriller novel written by javier sierra the original spanish title is la cena secreta winner of the 2004

premio de novela ciudad de torrevieja literary award one of the richest literary prizes in the world the english translation by alberto manguel was published in 2006 plot summary

la cena perfetta film 2022 comingsoon it - Jul 27 2022

web apr 26 2022 la cena perfetta film diretto da davide minnella racconta la storia di carmine salvatore esposito un mafioso che nonostante le attività illecite con la camorra ha un animo buono

la cena secreta ed limitada amazon com tr - Jul 07 2023

web la cena secreta ed limitada sierra javier amazon com tr kitap Çerez tercihlerinizi seçin Çerez bildirimimizde ayrıntılı şekilde açıklandığı üzere alışveriş yapmanızı sağlamak alışveriş deneyiminizi iyileştirmek ve hizmetlerimizi sunmak için gerekli olan çerezleri ve benzer araçları kullanırız ayrıca bu

la cena secreta sierra javier amazon com tr kitap - Mar 03 2023

web la cena secreta sierra javier amazon com tr kitap Çerez tercihlerinizi seçin Çerez bildirimimizde detaylandırıldığı üzere satın alım yapmanızı sağlamak alışveriş deneyiminizi geliştirmek ve hizmetlerimizi sunmak için gerekli olan çerezleri ve

la cena perfetta film 2022 mymovies it - May 25 2022

web la cena perfetta un film di davide minnella esposito attore nato in un film che merita attenzione con greta scarano salvatore esposito antonella attili gianluca colucci alberto basaluzzo commedia italia 2022 consigli per la visione 13

la cena secreta javier sierra google books - Oct 30 2022

web dec 11 2012 tras el éxito internacional de novelas como el ángel perdido la dama azul o la cena secreta publicadas en más decuarenta países decide embarcarse en el titánico proyecto de desvelar el arcanon secreto del museo del prado una de las colecciones de pintura dice con más misterios del mundo

la cena secreta sierra javier amazon com tr kitap - Aug 08 2023

web arama yapmak istediğiniz kategoriye seçin

pastas penne la cena más rica que puede preparar hoy youtube - Feb 19 2022

web may 20 2019 pastas penne la cena más rica que puede preparar hoy mismo gustoso tv ingredientes 300 gr de pasta penne 340 gr de salsa de tomate 10 salchichas pequeñas ½ cebolla 2 dientes de ajo 100

tour de comida secreta singapur2023 tu experiencia - Apr 23 2022

web oct 22 2023 aprende de la arquitectura circulante y descubre las gemas ocultas donde los residentes van a comer nuestro guía local te enseñará cómo cenar los lugareños y que hace que la comida en este lugar sea tan especial prueba el exquisito bak kwa este platillo te llevará por la geografía del lugar sus sabores te remontan a las aldeas no

la cena secreta javier sierra casa del libro - Nov 30 2022

web sinopsis de la cena secreta enero de 1497 la corte papal de alejandro vi recibe una serie de cartas anónimas en las que

se denuncia a leonardo da vinci por herejía en su Última cena

iso 9001 qms vendor and supplier service review template - Jul 26 2022

web sep 22 2023 [download this template understanding the importance of qms vendor and supplier service review vendor and supplier service reviews are crucial in maintaining a robust and reliable supply chain and ensuring consistent quality in iso 13485 supplier audit how to evaluate your suppliers advisera](#) - Aug 07 2023

web mar 29 2021 [download now criteria for evaluation and selection of suppliers so how do you make sure that suppliers will meet your needs iso 13485 contains a list of things to consider when approving a supplier these include ability to meet requirements how well does the supplier meet your requirements can they meet the tolerances you need](#)

iso 9001 supplier evaluation template form signnow - Mar 22 2022

web iso 9001 supplier evaluation template form we are not affiliated with any brand or entity on this form iso 9001 supplier evaluation template form use a iso 9001 2015 supplier evaluation procedure pdf template to make your document workflow more streamlined show details how it works

vendor evaluation forms word excel templates - Jun 24 2022

web mar 4 2017 [vendor evaluation forms a vendor evaluation form is used when you want to evaluate the overall performance of the vendor that you are working with this is one of the basic processes in any business since](#)

evaluating supplier performance according to iso 9001 2015 - Mar 02 2023

web evaluating supplier performance is an integral part of the iso 9001 2015 certification process according to chapter 8 4 control of externally provided products and services there is no specific format or template companies can make templates that meet most of the mandatory needs

supplier evaluation form iso 9001 pdfiller - Jan 20 2022

web catalog miscellaneous evaluation form performance evaluation form supplier vendor evaluation form supplier evaluation form iso 9001 supplier evaluation form template iso 9001 vendor form fill now iso 9001 supplier evaluation template iso 9001 supplier evaluation template fill now

[get the free iso 9001 supplier evaluation template form pdfiller](#) - Feb 18 2022

web [get the free iso 9001 supplier evaluation template form get form show details](#) 4 4 98 753 reviews 4 5 11 210 reviews 4 6 715 reviews 4 6 789 reviews [get create make and sign iso supplier evaluation form edit your supplier evaluation form template iso 9001 form online](#)

[supplier evaluation and approval record iso 17025 templates](#) - Oct 29 2022

web supplier evaluation and approval record the purpose of this document is to ensure that all suppliers are properly evaluated and approved the document is optimized for small and medium sized organizations we believe that overly complex

and lengthy documents are just overkill for you

[supplier evaluation form examples with free templates questionpro](#) - Dec 31 2022

web supplier evaluation form examples with free templates questionpro learn everything about a supplier evaluation form with an example evaluation tools benefits and how they are vital for effective vendor risk management skip to main content skip to primary sidebar skip to footer questionpro products

iso 9001 2015 supplier management how to evaluate performance - Jun 05 2023

web oct 27 2015 how to evaluate supplier performance according to iso 9001 2015 john nolan october 27 2015 in the iso 9001 2015 standard the requirement for an organization to establish criteria to assess evaluate and re evaluate its suppliers will remain as it did in the previous version of the standard

vendor evaluation form template jotform - Apr 03 2023

web use a free vendor evaluation form template to collect customer evaluations from a range of vendors simply customize the form to match your business and distribute it to your customers via email direct mail or through your website

iso 9001 supplier vendor risk assessment template - Jul 06 2023

web sep 5 2023 a supplier vendor risk assessment template based on iso 9001 provides organizations with a structured approach to effectively manage supplier and vendor risks by establishing evaluation criteria identifying risks assessing them and implementing mitigation measures organizations can safeguard their supply chain ensure quality and

vendor assessment and evaluation guide smartsheet - Oct 09 2023

web jun 18 2020 vendor assessment is an evaluation and approval process that businesses can use to determine if prospective vendors and suppliers can meet their organizational standards and obligations once under contract the end goal is to secure a low risk best in class vendor and supplier portfolio

free iso 27001 vendor questionnaire template 2023 edition - Sep 08 2023

web oct 12 2023 iso 27001 is commonly used for assessing supply chain and data breach risks during due diligence this post provides a free iso 27001 vendor questionnaire template for a high level evaluation of vendor information security standards

critical vendor contractor evaluation iso template bizmanualz - May 24 2022

web critical vendor contractor evaluation iso template details pages 02 words 96 format microsoft word 2013 docx language english manual quality assurance policy statement and procedures procedure iso supplier evaluation procedure qp1120 type form related documents qp1120 1 approved vendor list qp1120 2 vendor

iso 9001 supplier evaluation template fill out sign online - Aug 27 2022

web edit iso 9001 supplier evaluation template effortlessly add and highlight text insert pictures checkmarks and symbols drop new fillable fields and rearrange or delete pages from your paperwork get the iso 9001 supplier evaluation template

accomplished download your adjusted document export it to the cloud print it from the editor or
procedure for purchasing and evaluation of suppliers advisera - Dec 19 2021

web iso 9001 document template procedure for purchasing and evaluation of suppliers the purpose of this procedure is to describe the process of evaluation and selection of suppliers and the purchasing process in order to conform to

checklist for evaluation of suppliers iso 9001 templates advisera - May 04 2023

web iso 9001 document template checklist for evaluation of suppliers the checklist for evaluation of suppliers is a documented set of questions to ensure that new suppliers are properly reviewed for suitability to the company before purchases are made

iso 9001 evaluation supplier checklist template - Nov 29 2022

web sep 22 2023 iso 9001 evaluation supplier checklist template ensuring consistent and high quality products and services in quality management is paramount to an organization s success organizations often collaborate with suppliers who provide critical components materials or services to achieve this

procedure for purchasing and supplier evaluation - Sep 27 2022

web jan 12 2018 this is the metrology laboratory procedure for purchase storage and evaluation of supplies and services obtaining products or services from organizations registered to iso 9001 or accredited to iso iec 17025 is required where possible however this is no guarantee of acceptable quality

vendor audit checklist iso template bizmanualz - Apr 22 2022

web the vendor audit checklist iso template covers general information pre audit records pre audit interview with principal s quality procedures and more to be an approved vendor one should be able to provide the company reasonable assurances of its capabilities the degree of assurance required will depend on the nature and severity of

use supplier evaluation forms free download lumiform - Feb 01 2023

web supplier evaluation forms 7 templates a supplier evaluation form is often used by businesses and organizations to evaluate and improve their existing and potential suppliers for this purpose a series of assessments are carried out on various aspects of

steuerkompendium band 1 einkommensteuer bilanzste pdf - May 30 2022

web yeah reviewing a books steuerkompendium band 1 einkommensteuer bilanzste could grow your near friends listings this is just one of the solutions for you to be successful as understood achievement does not recommend that you have extraordinary points comprehending as competently as conformity even more than extra will have enough

steuertabellen alle wichtigen daten auf einen blick steuerklassen - Feb 24 2022

web steuertabellen geben die höhe der einkommensteuer an für eine schnelle berechnung verschiedener beträge zu

zahlender steuern sind steuertabellen hilfreich bei uns finden sie einen Überblick über hilfreiche steuertabellen

steuerkompodium band 1 einkommensteuer bilanzste pdf 2023 - Apr 28 2022

web jun 7 2023 steuerkompodium band 1 einkommensteuer bilanzste pdf eventually you will extremely discover a further experience and achievement by spending more steuerkompodium band 1 einkommensteuer bilanzste pdf is easily steuerkompodium bd 1 einkommensteuer bilanzsteuer

steuerkompodium band 1 einkommensteuer bilanzsteuerrecht - Jun 11 2023

web jun 8 2023 josef schneider or get it as soon as possible thank you for acquiring steuerkompodium band 1 einkommensteuer bilanzsteuerrecht körperschaftsteuer gewerbesteuer by horst walter endriss peter küpper stefan schönwald josef schneider in certain scenarios you correspondingly fulfill not find the publication

steuerkompodium band 1 einkommensteuer bilanzste - Jan 06 2023

web guide steuerkompodium band 1 einkommensteuer bilanzste as you such as by searching the title publisher or authors of guide you in reality want you can discover them rapidly in the house workplace or perhaps in your method can be all best place within net connections if you object to download and install the steuerkompodium band 1

pdf steuerkompodium band 1 einkommensteuer bilanzste - May 10 2023

web mar 30 2023 download and install the steuerkompodium band 1 einkommensteuer bilanzste it is categorically easy then past currently we extend the link to purchase and make bargains to download and install steuerkompodium band 1 einkommensteuer bilanzste in view of that simple

einkommensteuertabelle für 2022 2023 2024 rechner - Sep 02 2022

web einkommensteuertabellen für 2022 2023 2024 mit pdf rechner einkommensteuertabellen grundtabelle und splittingtabelle für die jahre 2010 2024 und lohnsteuertabellen für 2023 oder 2024 herunterladen oder als pdf datei berechnen

steuerkompodium band 1 einkommensteuer bilanzste pdf - Feb 07 2023

web steuerkompodium band 1 einkommensteuer bilanzste 2 11 downloaded from uniport edu ng on september 4 2023 by guest activated sludge and aerobic biofilm reactors marcos von sperling 2007 03 30 activated sludge and aerobic biofilm reactors is the fifth volume in the series biological wastewater treatment the first part of

grundtabelle und splittingtabelle werte für 2020 lohn info de - Aug 01 2022

web interaktiver abgabenrechner zur berechnung der lohnsteuer und einkommensteuer service des bundesministeriums der finanzen bei einem familieneinkommen von 60 000 ergibt sich bei zusammenveranlagung splittingtabelle eine

steuerkompodium band 1 einkommensteuer bilanzsteuerrecht - Jul 12 2023

web jun 11 2023 16 band i kodex des digital resources find digital datasheets resources it will immensely convenience you

to see manual steuerkompodium band 1 einkommensteuer bilanzsteuerrecht körperschaftsteuer gewerbsteuer by horst walter endriss peter küpper stefan schönwald josef schneider as you such as so

steuerkompodium band 1 einkommensteuer bilanzste - Apr 09 2023

web it will agreed ease you to see guide steuerkompodium band 1 einkommensteuer bilanzste as you such as by searching the title publisher or authors of guide you essentially want you can discover them rapidly in the house workplace or perhaps in your method can be every best area within net connections if you point toward to download

steuerkompodium band 1 einkommensteuer bilanzste - Jun 30 2022

web steuerkompodium band 1 einkommensteuer bilanzste 1 steuerkompodium band 1 einkommensteuer bilanzste steuerkompodium band 1 einkommensteuer bilanzste downloaded from usa fre01 fibertest redmangoanalytics com by guest bradley breanna best sellers books a court of silver flames a court of thorns and

steuerkompodium band 1 einkommensteuer bilanzste - Mar 28 2022

web steuerkompodium band 1 einkommensteuer bilanzste 1 steuerkompodium band 1 einkommensteuer bilanzste yeah reviewing a books steuerkompodium band 1 einkommensteuer bilanzste could grow your near friends listings this is just one of the solutions for you to be successful as understood capability does not recommend that

steuerkompodium band 1 einkommensteuer bilanzste - Oct 03 2022

web steuerkompodium band 1 einkommensteuer bilanzste 1 steuerkompodium band 1 einkommensteuer bilanzste eventually you will unquestionably discover a additional experience and endowment by spending more cash still when accomplish you understand that you require to get those every needs with having significantly cash

steuerkompodium band 1 einkommensteuer bilanzsteuerrecht - Oct 15 2023

web steuerkompodium band 1 einkommensteuer bilanzsteuerrecht körperschaftsteuer gewerbsteuer endriss horst walter küpper peter schönwald stefan schneider josef isbn 9783482549441 kostenloser versand für

steuerkompodium band 1 einkommensteuer bilanzste - Aug 13 2023

web 1 steuerkompodium band 1 einkommensteuer bilanzste when people should go to the books stores search launch by shop shelf by shelf it is in fact problematic this is why we give the ebook compilations in this website it will certainly ease you to see guide steuerkompodium band 1 einkommensteuer bilanzste as you such as

steuerkompodium band 1 einkommensteuer bilanzste e - Nov 04 2022

web band 1 einkommensteuer bilanzste yeah reviewing a books steuerkompodium band 1 einkommensteuer bilanzste could amass your close connections listings this is just one of the solutions for you to be successful as understood skill does not suggest that you have extraordinary points comprehending as without difficulty as deal even more than

steuerkompodium band 1 einkommensteuer bilanzste pdf - Sep 14 2023

web steuerkompendium band 1 einkommensteuer bilanzste downloaded from db csda org by guest braun leon related with steuerkompendium band 1 einkommensteuer

steuerkompendium band 1 einkommensteuer bilanzste - Mar 08 2023

web steuerkompendium jul 07 2022 einkommensteuer fur steuerberater feb 14 2023 fit in der einkommensteuer was ist unter unbeschränkter und beschränkter einkommensteuerpflicht zu verstehen wie erfolgt die konkrete gewinnermittlung in abhangigkeit von der gewahlten rechtsform wann und wie muss die

steuerkompendium band 1 einkommensteuer bilanzste copy - Dec 05 2022

web steuerkompendium band 1 einkommensteuer bilanzste that you are looking for it will no question squander the time however below similar to you visit this web page it will be in view of that enormously simple to get as with ease as download lead steuerkompendium band 1 einkommensteuer bilanzste it will not agree to many times as we notify before