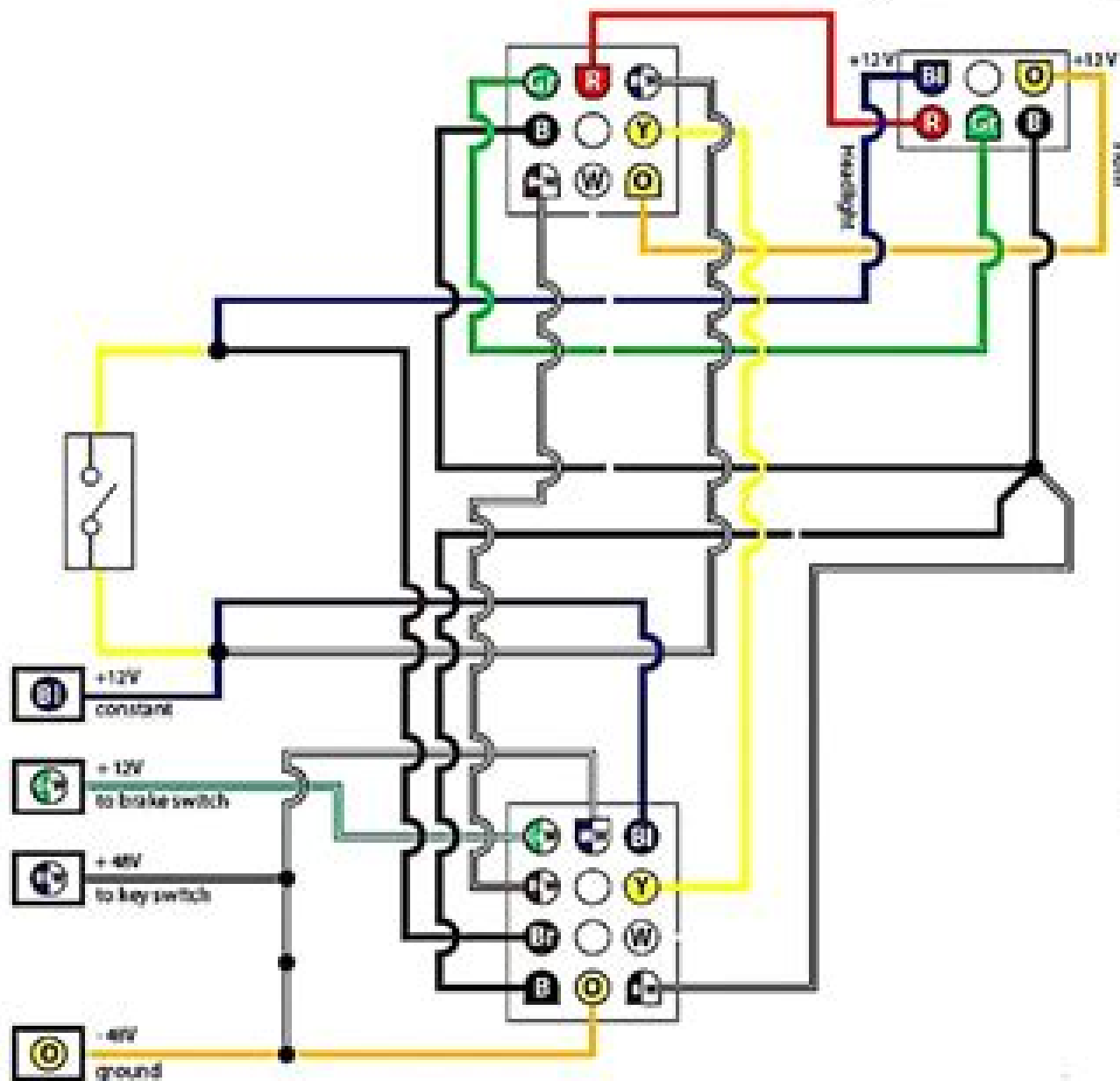


Club Car Precedent MJLK1000 Light Kit Wiring Diagram



COLOR KEY

- O** ORANGE
Ground (-48V)
- Bl/Wh** BLUE/WHITE
Key Switch (+48V)
- Bl** BLUE
Constant (+12V)
- Gr** GREEN
LEFT FRONT Turn Signal (+12V)
- R** RED
RIGHT FRONT Turn Signal (+12V)
- W** WHITE
LEFT REAR Turn Signal (+12V)
- Y** YELLOW
RIGHT REAR Turn Signal (+12V)
- Br** BR OWN
Tail Light (+12V)
- Br/Wh** BR OWN/WHITE
Front Brake Switch (+12V)
- Bl/Wh** BLACK/WHITE
Brake/Tail Light (-12V)
- Gr/Wh** GREEN/WHITE
Out to Brake Switch (+12V)
- B** BLACK
Ground (-12V)

GOLF
CART
GROUP

Manual Club Car Precedent I2 Excel

M Tight



Manual Club Car Precedent I2 Excel

Butler 5th edition solutions - Solutions End-of-Chapter ... Solutions. End-of-Chapter. Questions and Problems. to accompany. Multinational Finance. by Kirt C. Butler. Fourth Edition (2008). John Wiley & Sons. Kirt C Butler Solutions Books by Kirt C Butler with Solutions ; Multinational Finance 5th Edition 326 Problems solved, Kirt C Butler ; Multinational Finance 6th Edition 324 Problems ... Multinational Finance: Evaluating... by Butler, Kirt C. This book provides a framework for evaluating the many opportunities, costs, and risks of multinational operations in a manner that allows readers to see beyond ... Chapter exercises - solution - Kirt C. Butler ... Kirt C. Butler, Solutions for Multinational Finance, John Wiley & Sons, 2016. ; Answers to Conceptual Questions ; 3.1 Define liquidity. ; Liquidity: the ease with ... Multinational Finance: Evaluating Opportunities, Costs, and ... This book provides a framework for evaluating the many opportunities, costs, and risks of multinational operations in a manner that allows readers to see beyond ... Butler Solution | PDF | Foreign Exchange Market Butler, Solutions for Multinational Finance, 4th edition. 9.5 a. The sale is ... Multination Finance Butler 5th Edition. Unostudent2014. If m 121823602050. Chapter 4 Problem 5P Solution | Multinational Finance 5th ... Access Multinational Finance 5th Edition Chapter 4 Problem 5P solution now. Our solutions are written by Chegg experts so you can be assured of the highest ... Multinational Finance: Evaluating Opportunities, Costs, and Finance: Evaluating Opportunities, Costs, and Risks of Operations by Butler, Kirt ... Multinational Finance, Fifth Edition assumes the viewpoint of the financial ... Multinational Finance ... Fifth Edition. KIRT C. BUTLER. Michigan State University. John Wiley & Sons ... Solutions to Even-Numbered Problems. 607. Symbols and Acronyms. 635. Useful Rules ... Multinational Finance: Evaluating the Opportunities, Costs ... Multinational Finance: Evaluating the Opportunities, Costs, and Risks of Multinational Operations (Wiley Finance) - Kindle edition by Butler, Kirt C.. The Short Prose Reader Information Center: - Mheducation The thirteenth edition of The Short Prose Reader maintains the best features of the earlier editions: lively reading selections supported by helpful ... The Short Prose Reader | Rent | 9780073383934 The Short Prose Reader 13th edition ; ISBN-13: 978-0073383934 ; Format: Paperback/softback ; Publisher: McGraw-Hill Humanities/Social Sciences/Languages (1/13/2012). The Short Prose Reader by Muller, Gilbert The Short Prose Reader is a rhetorically organized reader that maintains the best features of the earlier editions: lively reading selections supported by ... Short Prose Reader Chapters 1-3 Flashcards Study with Quizlet and memorize flashcards containing terms like What is writing's product and process like?, How do we write?, Prewriting leads us to ... The Short Prose Reader by Gilbert H. Muller Read 7 reviews from the world's largest community for readers. This rhetorically organized reader, maintains the best features of the earlier editions: liv... English Language Arts and Literacy These revised pre-kindergarten to grade 12 standards are based on research and effective practice, and will enable teachers

and administrators to strengthen ... Grade 8 EOG Study/Resource Guide These sample questions are fully explained and will tell you why each answer is either correct or incorrect . Get ready—open this guide—and get started! Page 4 ... The Norton Reader Shorter Fifteenth Edition [15 With 145 selections in the Full Edition and 90 in the Shorter Edition, The Norton Reader offers depth, breadth, and variety for teaching the essay as it has ... The short prose reader 13th edition pdf download Dec 3, 2021 — Download File. PDF The Short. Prose Reader. 13th Edition. Book require more times to spend to go to the books launch as with ease as search for. IKCO SAMAND SERVICE MANUAL Pdf Download View and Download Ikco SAMAND service manual online. SAMAND automobile pdf manual download. Also for: Xu7jpl3. IKCO SAMAND OWNER'S MANUAL Pdf Download Automobile Ikco SAMAND Service Manual. (216 pages). Samand Ef7 Electrical Manual | PDF | Switch | Relay Samand Ef7 Electrical Manual - Free download as PDF File (.pdf), Text File (.txt) or read online for free. SAMAND MANUAL ELECTRICAL. Ikco Samand Repair & Service Manuals (4 PDF's Ikco Samand service PDF's covering routine maintenance and servicing; Detailed Ikco Samand Engine and Associated Service Systems (for Repairs and Overhaul) (PDF) ... Iran Khodro Samand LX/EL/TU (2004-present) service ... Iran Khodro Samand LX/EL/TU (2004)-guide the repair, maintenance and operation of the vehicle. Samand LX/EL/TU with-2004 repair manual, ... Iran Khodro Samand LX Owner Manual - manualzz.com SAMAND SAMAND SAMAND LX SAMAND EL Owner's Manual This manual has been prepared to inform you of how to optimize the use of the vehicle and contains ... IKCO Iran Khodro Samand Manuals PDF - Free Car Owner's & Service Repair Manuals PDF;. - Cars Electric Wiring Diagrams, Schematics;. - Vehicle Fault Codes DTC (Diagnostic Trouble Code) list. Iran Khodro Samand LX. Service Manual - part 2 Iran Khodro Samand LX. Service Manual - part 2 · 1- Pull up the lever · 2- Slide the seat to the favored position. (by pressing your weight) · 3- Release the ... Книга: Iran Khodro Samand модели с 2000 года выпуска, ... Book: Iran Khodro Samand (Iran hodro Samand). Repair Manual, instruction manual, parts catalog. Models since 2000 of production equipped with gasoline engines.

Yeah, reviewing a ebook **Manual Club Car Precedent I2 Excel** could mount up your close links listings. This is just one of the solutions for you to be successful. As understood, achievement does not suggest that you have fantastic points.

Comprehending as without difficulty as treaty even more than new will have the funds for each success. neighboring to, the statement as capably as perception of this Manual Club Car Precedent I2 Excel can be taken as without difficulty as picked to act.

https://offsite.creighton.edu/files/virtual-library/Documents/mafia_boss_falls_in_love.pdf

https://offsite.creighton.edu/files/virtual-library/Documents/margaret_wise_brown_michael_strange.pdf

https://offsite.creighton.edu/files/virtual-library/Documents/marcy_stranger_things.pdf

Table of Contents Manual Club Car Precedent I2 Excel

1. Understanding the eBook Manual Club Car Precedent I2 Excel
 - The Rise of Digital Reading Manual Club Car Precedent I2 Excel
 - Advantages of eBooks Over Traditional Books
2. Identifying Manual Club Car Precedent I2 Excel
 - Exploring Different Genres
 - Considering Fiction vs. Non-Fiction
 - Determining Your Reading Goals
3. Choosing the Right eBook Platform
 - Popular eBook Platforms
 - Features to Look for in an Manual Club Car Precedent I2 Excel
 - User-Friendly Interface

4. Exploring eBook Recommendations from Manual Club Car Precedent I2 Excel
 - Personalized Recommendations
 - Manual Club Car Precedent I2 Excel User Reviews and Ratings
 - Manual Club Car Precedent I2 Excel and Bestseller Lists
5. Accessing Manual Club Car Precedent I2 Excel Free and Paid eBooks
 - Manual Club Car Precedent I2 Excel Public Domain eBooks
 - Manual Club Car Precedent I2 Excel eBook Subscription Services
 - Manual Club Car Precedent I2 Excel Budget-Friendly Options
6. Navigating Manual Club Car Precedent I2 Excel eBook Formats
 - ePub, PDF, MOBI, and More
 - Manual Club Car Precedent I2 Excel Compatibility with Devices
 - Manual Club Car Precedent I2 Excel Enhanced eBook Features
7. Enhancing Your Reading Experience
 - Adjustable Fonts and Text Sizes of Manual Club Car Precedent I2 Excel
 - Highlighting and Note-Taking Manual Club Car Precedent I2 Excel
 - Interactive Elements Manual Club Car Precedent I2 Excel
8. Staying Engaged with Manual Club Car Precedent I2 Excel
 - Joining Online Reading Communities
 - Participating in Virtual Book Clubs
 - Following Authors and Publishers Manual Club Car Precedent I2 Excel
9. Balancing eBooks and Physical Books Manual Club Car Precedent I2 Excel
 - Benefits of a Digital Library
 - Creating a Diverse Reading Collection Manual Club Car Precedent I2 Excel
10. Overcoming Reading Challenges
 - Dealing with Digital Eye Strain
 - Minimizing Distractions
 - Managing Screen Time
11. Cultivating a Reading Routine Manual Club Car Precedent I2 Excel
 - Setting Reading Goals Manual Club Car Precedent I2 Excel
 - Carving Out Dedicated Reading Time

12. Sourcing Reliable Information of Manual Club Car Precedent I2 Excel
 - Fact-Checking eBook Content of Manual Club Car Precedent I2 Excel
 - Distinguishing Credible Sources
13. Promoting Lifelong Learning
 - Utilizing eBooks for Skill Development
 - Exploring Educational eBooks
14. Embracing eBook Trends
 - Integration of Multimedia Elements
 - Interactive and Gamified eBooks

Manual Club Car Precedent I2 Excel Introduction

In this digital age, the convenience of accessing information at our fingertips has become a necessity. Whether its research papers, eBooks, or user manuals, PDF files have become the preferred format for sharing and reading documents. However, the cost associated with purchasing PDF files can sometimes be a barrier for many individuals and organizations. Thankfully, there are numerous websites and platforms that allow users to download free PDF files legally. In this article, we will explore some of the best platforms to download free PDFs. One of the most popular platforms to download free PDF files is Project Gutenberg. This online library offers over 60,000 free eBooks that are in the public domain. From classic literature to historical documents, Project Gutenberg provides a wide range of PDF files that can be downloaded and enjoyed on various devices. The website is user-friendly and allows users to search for specific titles or browse through different categories. Another reliable platform for downloading Manual Club Car Precedent I2 Excel free PDF files is Open Library. With its vast collection of over 1 million eBooks, Open Library has something for every reader. The website offers a seamless experience by providing options to borrow or download PDF files. Users simply need to create a free account to access this treasure trove of knowledge. Open Library also allows users to contribute by uploading and sharing their own PDF files, making it a collaborative platform for book enthusiasts. For those interested in academic resources, there are websites dedicated to providing free PDFs of research papers and scientific articles. One such website is Academia.edu, which allows researchers and scholars to share their work with a global audience. Users can download PDF files of research papers, theses, and dissertations covering a wide range of subjects. Academia.edu also provides a platform for discussions and networking within the academic community. When it comes to downloading Manual Club Car Precedent I2 Excel free PDF files of magazines, brochures, and catalogs, Issuu is a popular choice. This digital publishing platform hosts a vast collection of publications from around the world. Users can search for specific titles or explore various categories and genres. Issuu offers a seamless

reading experience with its user-friendly interface and allows users to download PDF files for offline reading. Apart from dedicated platforms, search engines also play a crucial role in finding free PDF files. Google, for instance, has an advanced search feature that allows users to filter results by file type. By specifying the file type as "PDF," users can find websites that offer free PDF downloads on a specific topic. While downloading Manual Club Car Precedent I2 Excel free PDF files is convenient, its important to note that copyright laws must be respected. Always ensure that the PDF files you download are legally available for free. Many authors and publishers voluntarily provide free PDF versions of their work, but its essential to be cautious and verify the authenticity of the source before downloading Manual Club Car Precedent I2 Excel. In conclusion, the internet offers numerous platforms and websites that allow users to download free PDF files legally. Whether its classic literature, research papers, or magazines, there is something for everyone. The platforms mentioned in this article, such as Project Gutenberg, Open Library, Academia.edu, and Issuu, provide access to a vast collection of PDF files. However, users should always be cautious and verify the legality of the source before downloading Manual Club Car Precedent I2 Excel any PDF files. With these platforms, the world of PDF downloads is just a click away.

FAQs About Manual Club Car Precedent I2 Excel Books

What is a Manual Club Car Precedent I2 Excel PDF? A PDF (Portable Document Format) is a file format developed by Adobe that preserves the layout and formatting of a document, regardless of the software, hardware, or operating system used to view or print it. **How do I create a Manual Club Car Precedent I2 Excel PDF?** There are several ways to create a PDF: Use software like Adobe Acrobat, Microsoft Word, or Google Docs, which often have built-in PDF creation tools. Print to PDF: Many applications and operating systems have a "Print to PDF" option that allows you to save a document as a PDF file instead of printing it on paper. Online converters: There are various online tools that can convert different file types to PDF. **How do I edit a Manual Club Car Precedent I2 Excel PDF?** Editing a PDF can be done with software like Adobe Acrobat, which allows direct editing of text, images, and other elements within the PDF. Some free tools, like PDFescape or Smallpdf, also offer basic editing capabilities. **How do I convert a Manual Club Car Precedent I2 Excel PDF to another file format?** There are multiple ways to convert a PDF to another format: Use online converters like Smallpdf, Zamzar, or Adobe Acrobats export feature to convert PDFs to formats like Word, Excel, JPEG, etc. Software like Adobe Acrobat, Microsoft Word, or other PDF editors may have options to export or save PDFs in different formats. **How do I password-protect a Manual Club Car Precedent I2 Excel PDF?** Most PDF editing software allows you to add password protection. In Adobe Acrobat, for instance, you can go to "File" -> "Properties" -> "Security" to set a password to restrict access or editing capabilities. Are there any free alternatives to Adobe Acrobat for working with PDFs? Yes, there are many free alternatives

for working with PDFs, such as: LibreOffice: Offers PDF editing features. PDFsam: Allows splitting, merging, and editing PDFs. Foxit Reader: Provides basic PDF viewing and editing capabilities. How do I compress a PDF file? You can use online tools like Smallpdf, ILovePDF, or desktop software like Adobe Acrobat to compress PDF files without significant quality loss. Compression reduces the file size, making it easier to share and download. Can I fill out forms in a PDF file? Yes, most PDF viewers/editors like Adobe Acrobat, Preview (on Mac), or various online tools allow you to fill out forms in PDF files by selecting text fields and entering information. Are there any restrictions when working with PDFs? Some PDFs might have restrictions set by their creator, such as password protection, editing restrictions, or print restrictions. Breaking these restrictions might require specific software or tools, which may or may not be legal depending on the circumstances and local laws.

Find Manual Club Car Precedent I2 Excel :

mafia boss falls in love

margaret wise brown michael strange

marcy stranger things

lutheran prayers for the dead

mankiw macroeconomics pdf

mapp assessment review

manhattan review gmat

~~marriage is a private affair story~~

madam cj walker inventions list

~~map of hatteras island nc~~

m1 carbine caliber

manages complexity performance review

marketing campaign template excel

magneto on small engine

man of constant sorrow bob dylan

Manual Club Car Precedent I2 Excel :