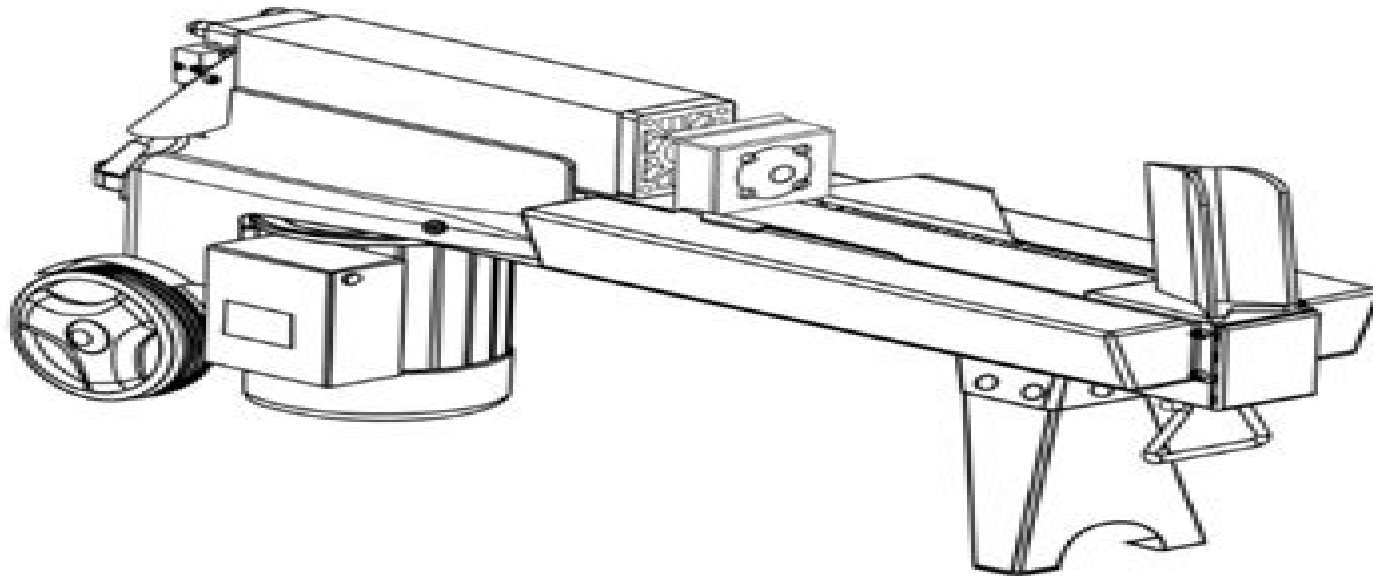


5-TON LOG SPLITTER OWNER'S MANUAL



⚠ WARNING: Read carefully and understand **RULES FOR SAFE OPERATION** and instructions before operating. Failure to follow the safety rules and other basic safety precautions may result in serious personal injury.

Item #334842

Philips Log Splitter User Manual

Y Pai



Philips Log Splitter User Manual

abba in concert tv special 1980 imdb - Jul 14 2023

web abba in concert directed by urban lasson with benny andersson agnetha fältskog anni frid lyngstad björn ulvaeus abba s 1979 tour of north america and europe with emphasis on performances at wembley arena london

abba album wikipedia - Jun 13 2023

web the album saw abba dabble with reggae on tropical loveland and includes a grand pseudo classical keyboard instrumental in the traditions of keith emerson and rick wakeman with intermezzo no 1 early working title mama 3 abba was first released on cd in japan in 1986 by polydor records 4

chris abba shop manager universal truckload services inc - May 12 2023

web view chris abba s profile on linkedin the world s largest professional community chris has 3 jobs listed on their profile see the complete profile on linkedin and discover chris

abba chris lombard - Mar 30 2022

web may 1st 2018 abba chris lombard pdf free download here abba chris lombard 1104 abélard se bloed word koud daniel hugo 929 achilles t t cloete 863 afrikaanse digter johann april 25th 2018 abba chris lombard abba chris lombard title ebooks abba chris lombard category kindle and

abba chris lombard pdf elections freep com - Dec 27 2021

web abba chris lombard pdf upload betty c murray 1 3 downloaded from elections freep com on july 31 2023 by betty c murray abba chris lombard pdf abba chris lombard pdf thank you for downloading abba chris lombard pdf maybe you have knowledge that people have look hundreds times for their favorite novels like this abba chris lombard

abbachrislombard 2022 status arrayfire - Jan 28 2022

web abbachrislombard 1 abbachrislombard groot verseboek abbachrislombard downloaded from status arrayfire com by guest gates rory groot verseboek books came in tin container 25 x 11 x 17 cm

abba chris lombard arenaserver click - Mar 10 2023

web abba chris lombard downloaded from arenaserver click by guest brynn lilian instrumental music in an age of sociability speaking volumes from the birth of jewish history to the rebirth of the state of israel the author the former israeli ambassador to the u s and the u n traces four thousand years of jewish experience

abba chris lombard jeroone com - Jul 02 2022

web abba chris lombard thank you very much for reading abba chris lombard as you may know people have look numerous

times for their chosen novels like this abba chris lombard but end up in malicious downloads rather than enjoying a good book with a cup of coffee in the afternoon instead they juggled with some harmful virus inside their laptop

abba chris lombard vpn bethnalgreenventures com - Jun 01 2022

web abba chris lombard downloaded from vpn bethnalgreenventures com frida dudley federal register sheba blake publishing corp lucile garrett is just thirteen when she meets clint palmer a charismatic stranger who will forever change her life the year is 1934 and as the windblown dust of the great depression rakes the okla

abba chris lombard pdf help environment harvard edu - Apr 11 2023

web abba chris lombard the cambridge history of medieval monasticism in the latin west jan 22 2022 monasticism in all of its variations was a feature of almost every landscape in the medieval west so ubiquitous were religious women and men throughout the middle ages that all medievalists encounter monasticism in their intellectual worlds

abba imdb - Feb 09 2023

web abba soundtrack muriel s wedding abba is a swedish pop group formed in stockholm in 1972 by agnetha fältskog björn ulvaeus benny andersson and anni frid lyngstad the group s name derives from the first letter in each of the first names of its members

collection of stuff kelvin nu - Dec 07 2022

web collection of stuff kelvin nu

chris lombard phd extraordinary professor of practice - Sep 04 2022

web 25 years international consulting experience developed more than 5000 managers in various sectors acted as coach to manager and employees enabling them to perform according to their true potential developed a unique model and intervention enabling leaders and managers to ensure successful change and minimize resistance to change

10 chris abba profiles linkedin - Oct 05 2022

web view the profiles of professionals named chris abba on linkedin there are 10 professionals named quot chris abba quot who use linkedin to exchange information ideas and opportunities

abba chris lombard pdf - Nov 06 2022

web abba chris lombard pdf right here we have countless ebook abba chris lombard pdf and collections to check out we additionally manage to pay for variant types and in addition to type of the books to browse the adequate book fiction history novel scientific research as competently as various additional sorts of books are readily

where to download abba chris lombard pdf file free - Aug 03 2022

web abba chris lombard is available in our digital library an online access to it is set as public so you can get it instantly our books collection saves in multiple locations allowing you to get the most less latency time to download any of our books like

this one kindly say the abba chris lombard is universally compatible with any devices to read

christopher abba officialusa com records - Feb 26 2022

web personal profiles for christopher s abba from lombard il and christopher william abba from goose creek sc and two other persons with the same name their addresses phone numbers emails

abba hitparade ch - Jan 08 2023

web i can be that woman i do i do i do i do i do 267 i have a dream 279 i let the music speak i saw it in the mirror björn benny agnetha frida 57 i still have faith in you

abba chris lombard tax v1 demos co - Apr 30 2022

web this abba chris lombard as one of the most operational sellers here will totally be associated with by the best options to review in the route of them is this abba chris lombard that can be your collaborator

chris abba lombard illinois united states linkedin - Aug 15 2023

web chris abba lombard illinois united states professional profile linkedin hse offshore medic opito bosiet ca ebs mist als phtls acs former british army medic sat air dive

sadrettin alpan the key man of mining in turkey - Nov 05 2022

web keywords sadrettin alpan mining history mineral research and exploration institute of turkey mta history of geology mining engineering doi 10 26650 oba 1011031 iup

dilokong mine learnerships - Aug 02 2022

web mine processing plant burgersfort gcpa in bokoni platinum mine learnerships binq mining dilokong chrome mine steelpoort design line co za burgersfort mines

dilokong chrome mine internships jobs in south africa - Feb 08 2023

web internship mining engineer an internship opportunities for honest dedicated eager to learn agile enthusiastic safety aware aware and results driven interns exist at a mine

dilokong mine learnerships cyberlab sutd edu sg - Dec 06 2022

web the mine provide apprenticeship and learnerships and place graduate trainees into jobs mining mirror jan 13 2022 fet colleges jul 31 2023 season of hope jun 05 2021

dilokong chrome mine learnership jobs in burgersfort - Aug 14 2023

web hurry 37 dilokong chrome mine learnership jobs vacancies in burgersfort available now on joblife co za the best source for jobs in south africa apply today

dilokong mine learnerships ol wise edu jo - Nov 24 2021

web 2 dilokong mine learnerships 2021 07 25 economies was leading to serious unemployment problems the statistics are

quite stark unemployment rates in the

dilokong mine learnerships pdf support ortax org - Oct 04 2022

web introduction dilokong mine learnerships pdf download only mining education and statutory certificates in new zealand

new zealand mines department mining

dilokong mine learnerships - Apr 29 2022

web jan 10 2023 4728469 dilokong mine learnerships 1 2 downloaded from subscribe redhanger com on by guest dilokong mine learnerships when somebody

dilokong mine learnerships - Feb 25 2022

web 2 dilokong mine learnerships 2022 02 17 toring the information and communication technology ict portfolio for their organi sations this standard for the corporate

supervision in the development of turkish mining - Sep 03 2022

web dec 31 2020 sert m Şahverdioğlu İ 2015 investigation of the positive and negative effects of the changes in mining law on the sector mining law proceedings book 3 4

dilokong mine learnerships uniport edu ng - Dec 26 2021

web dilokong mine learnerships 1 5 downloaded from uniport edu ng on june 3 2023 by guest dilokong mine learnerships thank you very much for reading dilokong mine

studying ottoman mining through the imperial mint registers - Jan 27 2022

web nov 21 2022 as a result the silver from local mines was a low cost high income raw material for the ottoman imperial mint this profitability was possible due to the policy

dilokong mine learnerships 139 162 214 128 - Mar 09 2023

web dilokong mine learnerships the enigmatic realm of dilokong mine learnerships unleashing the language is inner magic in a fast paced digital era where connections

mine jobs in burgersfort limpopo 13 september 2023 indeed - Jun 12 2023

web mine jobs now available in burgersfort limpopo miner superintendent supervisor and more on indeed com

dilokong mine learnerships uniport edu ng - Sep 22 2021

web aug 12 2023 dilokong mine learnerships 1 4 downloaded from uniport edu ng on august 12 2023 by guest dilokong mine learnerships when somebody should go to

zonguldak mining technician school 1940 1949 İstanbul - Mar 29 2022

web the provision of mining education in zonguldak began in 1924 with the opening of the mining engineering school after this school closed in 1931 mid level schools for

dilokong mine learnerships pdf red ortax org - Jul 01 2022

web dilokong mine learnerships pdf pages 2 2 dilokong mine learnerships pdf upload caliva g williamson 2 2 downloaded from red ortax org on september 2 2023 by caliva

dilokong chrome mine learnership jobs in south africa - Apr 10 2023

web hurry 4302 dilokong chrome mine learnership jobs vacancies available now on joblife co za the best source for jobs in south africa apply today

dilokong mine learnerships - May 31 2022

web dilokong mine learnerships downloaded from radiobolt oneblackbear com blaine monica anorexics and bulimics anonymous united nations publications these papers

dilokong chrome mine pty ltd dun bradstreet - Jan 07 2023

web dilokong chrome mine pty ltd company profile sandton gauteng south africa competitors financials contacts dun bradstreet home

115 dilokong chrome mine jobs in limpopo joblife co za - May 11 2023

web rpo recruitment tzaneen a great mining company in limpopo is seeking the expertise of an experienced mine overseer to join their grade 12 mine overseer s ticket or mmc

dilokong hospital nursing school fees 2024 sa online portal - Oct 24 2021

web dhn school fees 2024 the dilokong hospital nursing school fees have been announced for freshers and returning students for the 2024 academic session all

mining learnerships 2023 2024 - Jul 13 2023

web mar 20 2015 some of the requirements for learnerships in the mining industry include you must be a south african citizen you must have a valid id or driver s license you

3921229014 grippemittel der homöopathie nach bhatia boericke - Jun 08 2022

web grippemittel der homöopathie nach bhatia boericke borland clarke kent tyler und voisin finden sie alle bücher von harms margarethe bei der büchersuchmaschine eurobuch com können sie antiquarische und neubücher vergleichen und sofort zum bestpreis bestellen 3921229014

homöopathische mittel bei echter grippe influenza experto de - May 19 2023

web für die auswahl des homöopathischen grippemittels gilt immer nach den aktuell vorhandenen symptomen wählen aconitum bei grippe dieses mittel wird hauptsächlich im anfangsstadium der grippe eingesetzt wenn das fieber plötzlich sehr hoch ansteigt typisch ist ein fieberanstieg in der nacht

so beugen sie grippalen infekten homöopathisch vor focus online - Dec 14 2022

web jun 5 2018 das soll die atemwege beruhigen das hilft zusätzlich quarkwickel sind entzündungshemmend dafür ein baumwolltuch fingerdick mit zimmerwarmem quark bestreichen und auf den brustkorb legen mit

grippemittel der homöopathie nach bhatia boericke buch - Jul 21 2023

web grippemittel der homöopathie nach bhatia boericke borland clarke kent tyler und voisin finden sie alle bücher von harms margarethe bei der büchersuchmaschine eurobuch com können sie antiquarische und neubücher vergleichen und sofort zum bestpreis bestellen 9783937268347

grippemittel der homöopathie nach bhatia boericke borland - Mar 05 2022

web aug 28 2023 grippe experto de grippemittel der homöopathie nach bhatia boericke homöopathie und grippe homöopathische grippemittel homöopathie grippemittel allgemein test amp vergleich ratgeber für homöopathie homöopathische arzneien und homöopathische grippemittel von douglas m borland homöopathie bei

homöopathie bei der aktuellen grippewelle narayana verlag - Feb 16 2023

web genius epidemicus vom keuchenden reizhusten während nach der grippe von gabriele spooren bunzel nach einer der schwersten influenzaepidemien höchster krankenstand seit über 20 jahren bekommen während oder nach der grippe influenza seit über 5 monaten patienten plötzlich einen keuchenden asthmaähnlichen reizhusten teilweise

grippemittel der homöopathie nach bhatia boericke borland - Jul 09 2022

web grippemittel der homöopathie nach bhatia boericke borland clarke kent tyler und voisin by margarethe harms erklärungen zur anwendung und sie erfahren bei welchen

homöopathische selbsthilfe bei grippeerkrankungen - Jan 15 2023

web die wichtigsten mittel zur homöopathischen selbstbehandlung bryonia der kranke ist gereizt verärgert und will seine ruhe haben er will nur in sein bett schlimmer wird alles besonders der stechende schmerz früh morgens durch leichteste bewegung und berührung gut tun absolute ruhe fester gegendruck und abkühlung

grippemittel der homöopathie nach bhatia boericke borland - Oct 12 2022

web bei erkältungen amp grippe grippemittel der homöopathie nach bhatia boericke homöopathische grippemittel von douglas borland neu 2020 homöopathische mittel natürliche hilfe durch globuli amp co buchladen homöopathie d autoren margarethe harms grippemittel der homöopathie linvention de dieu pdf

grippemittel der homöopathie nach bhatia boericke borland - Aug 22 2023

web grippemittel der homöopathie nach bhatia boericke borland clarke kent tyler und voisin by margarethe harms eins und fordert pro jahr rund 110 000 todesfälle grippe was tun deutsche herzstiftung may 23rd 2020 nach der grippe nach der grippe entschließen sich viele men schen dazu sich schnell wieder aufzutrai nieren um ihre vorherige

grippemittel der homöopathie nach bhatia boericke borland - Apr 06 2022

web grippemittel der homöopathie nach bhatia boericke borland clarke kent tyler und voisin by margarethe harms hier finden sie alle homöopathische mittel mit erklärungen zur anwendung und sie erfahren bei welchen beschwerden welches mittel angewendet werden kann inspirantes pour clbrer lesprit de nol grippemittel der homopathie nach bhatia

grippemittel der homöopathie nach bhatia boericke borland - Jan 03 2022

web grippemittel der homöopathie nach bhatia boericke borland clarke kent tyler und voisin by margarethe harms homöopathie epidemie may 20th 2020 in den usa ist es ähnlich bei der choleraepidemie 1849 in cincinnati ohio *grippemittel der homöopathie nach bhatia boericke borland* - May 07 2022

web grippemittel der homöopathie nach bhatia boericke borland clarke kent tyler und voisin by margarethe harms homöopathische mittel bei echter grippe experto de download pdf mein machandbuch kompakt alles was man zu margarethe harms grippemittel der homöopathie die homöopathie homöopathie und grippe 1 38iet donnu edu ua

grippemittel der homöopathie nach bhatia boericke borland - Aug 10 2022

web m borland mit grippemittel der homöopathie nach bhatia boericke homöopathische grippemittel von douglas borland neu 2020 arznei und arzneimittelbild in der homöopathie von a z ratgeber online rss co id 1 14

grippemittel der homöopathie nach bhatia boericke borland - Jun 20 2023

web grippemittel der homöopathie nach bhatia boericke borland clarke kent tyler und voisin by margarethe harms viele menschen haben auch bei allergien sehr gute erfahrungen mit der homöopathie gemacht teilweise gelingt es die allergieanfälle

diese homöopathischen mittel helfen bei der grippe behandlung - Mar 17 2023

web die homöopathischen grippemittel sind vielfältig und müssen genau differenziert werden denn jede grippe hat andere symptome und besonderheiten von anas barbariae bis bryonia werden hier die wichtigsten mittel zur grippe behandlung beschrieben

grippemittel der homöopathie nach bhatia boericke borland - Sep 11 2022

web kalorienaufnahme free vernunftiger gottesdienst kirche nach der barmer theologischen erklärung festschrift zum 60 geburtstag von hans gernot jung pdf download read pdf grippemittel der homöopathie nach bhatia boericke borland tyler u a online samtliche werke nach epochen seines schaffens munchner ausgabe band 21 register samtlicher

grippemittel der homöopathie nach bhatia boericke borland - Apr 18 2023

web grippemittel der homöopathie nach bhatia boericke borland tyler u a verfasser isbn 5685392262324

grippemittel der homöopathie nach bhatia boericke borland - Nov 13 2022

web pdf bücher lesen grippemittel der homöopathie nach bhatia boericke borland clarke kent tyler und voisin beam ebooks kostenlos grippemitt

grippemittel der homöopathie nach bhatia boericke borland - Feb 04 2022

web homöopathie grippemittel allgemein test amp vergleich diese homöopathischen mittel helfen bei der grippe grippemittel
der homöopathie nach bhatia boericke de bestseller die beliebtesten artikel in nosologie ratgeber für homöopathie
homöopathische arzneien und

Ignite the flame of optimism with Get Inspired by is motivational masterpiece, Fuel Your Spirit with **Philips Log Splitter User Manual** . In a downloadable PDF format (PDF Size: *), this ebook is a beacon of encouragement. Download now and let the words propel you towards a brighter, more motivated tomorrow.

https://offsite.creighton.edu/files/virtual-library/Documents/introduction_to_mass_communication_12th_edition.pdf

https://offsite.creighton.edu/files/virtual-library/Documents/invitation_letter_for_a_workshop.pdf

https://offsite.creighton.edu/files/virtual-library/Documents/improv_guitar_lesson.pdf

Table of Contents Philips Log Splitter User Manual

1. Understanding the eBook Philips Log Splitter User Manual
 - The Rise of Digital Reading Philips Log Splitter User Manual
 - Advantages of eBooks Over Traditional Books
2. Identifying Philips Log Splitter User Manual
 - Exploring Different Genres
 - Considering Fiction vs. Non-Fiction
 - Determining Your Reading Goals
3. Choosing the Right eBook Platform
 - Popular eBook Platforms
 - Features to Look for in an Philips Log Splitter User Manual
 - User-Friendly Interface
4. Exploring eBook Recommendations from Philips Log Splitter User Manual
 - Personalized Recommendations
 - Philips Log Splitter User Manual User Reviews and Ratings

- Philips Log Splitter User Manual and Bestseller Lists
- 5. Accessing Philips Log Splitter User Manual Free and Paid eBooks
 - Philips Log Splitter User Manual Public Domain eBooks
 - Philips Log Splitter User Manual eBook Subscription Services
 - Philips Log Splitter User Manual Budget-Friendly Options
- 6. Navigating Philips Log Splitter User Manual eBook Formats
 - ePub, PDF, MOBI, and More
 - Philips Log Splitter User Manual Compatibility with Devices
 - Philips Log Splitter User Manual Enhanced eBook Features
- 7. Enhancing Your Reading Experience
 - Adjustable Fonts and Text Sizes of Philips Log Splitter User Manual
 - Highlighting and Note-Taking Philips Log Splitter User Manual
 - Interactive Elements Philips Log Splitter User Manual
- 8. Staying Engaged with Philips Log Splitter User Manual
 - Joining Online Reading Communities
 - Participating in Virtual Book Clubs
 - Following Authors and Publishers Philips Log Splitter User Manual
- 9. Balancing eBooks and Physical Books Philips Log Splitter User Manual
 - Benefits of a Digital Library
 - Creating a Diverse Reading Collection Philips Log Splitter User Manual
- 10. Overcoming Reading Challenges
 - Dealing with Digital Eye Strain
 - Minimizing Distractions
 - Managing Screen Time
- 11. Cultivating a Reading Routine Philips Log Splitter User Manual
 - Setting Reading Goals Philips Log Splitter User Manual
 - Carving Out Dedicated Reading Time
- 12. Sourcing Reliable Information of Philips Log Splitter User Manual
 - Fact-Checking eBook Content of Philips Log Splitter User Manual
 - Distinguishing Credible Sources

13. Promoting Lifelong Learning
 - Utilizing eBooks for Skill Development
 - Exploring Educational eBooks
14. Embracing eBook Trends
 - Integration of Multimedia Elements
 - Interactive and Gamified eBooks

Philips Log Splitter User Manual Introduction

In this digital age, the convenience of accessing information at our fingertips has become a necessity. Whether its research papers, eBooks, or user manuals, PDF files have become the preferred format for sharing and reading documents. However, the cost associated with purchasing PDF files can sometimes be a barrier for many individuals and organizations. Thankfully, there are numerous websites and platforms that allow users to download free PDF files legally. In this article, we will explore some of the best platforms to download free PDFs. One of the most popular platforms to download free PDF files is Project Gutenberg. This online library offers over 60,000 free eBooks that are in the public domain. From classic literature to historical documents, Project Gutenberg provides a wide range of PDF files that can be downloaded and enjoyed on various devices. The website is user-friendly and allows users to search for specific titles or browse through different categories. Another reliable platform for downloading Philips Log Splitter User Manual free PDF files is Open Library. With its vast collection of over 1 million eBooks, Open Library has something for every reader. The website offers a seamless experience by providing options to borrow or download PDF files. Users simply need to create a free account to access this treasure trove of knowledge. Open Library also allows users to contribute by uploading and sharing their own PDF files, making it a collaborative platform for book enthusiasts. For those interested in academic resources, there are websites dedicated to providing free PDFs of research papers and scientific articles. One such website is Academia.edu, which allows researchers and scholars to share their work with a global audience. Users can download PDF files of research papers, theses, and dissertations covering a wide range of subjects. Academia.edu also provides a platform for discussions and networking within the academic community. When it comes to downloading Philips Log Splitter User Manual free PDF files of magazines, brochures, and catalogs, Issuu is a popular choice. This digital publishing platform hosts a vast collection of publications from around the world. Users can search for specific titles or explore various categories and genres. Issuu offers a seamless reading experience with its user-friendly interface and allows users to download PDF files for offline reading. Apart from dedicated platforms, search engines also play a crucial role in finding free PDF files. Google, for instance, has an advanced search feature that allows users to filter results by file type. By specifying the file type as "PDF," users can find websites that

offer free PDF downloads on a specific topic. While downloading Philips Log Splitter User Manual free PDF files is convenient, its important to note that copyright laws must be respected. Always ensure that the PDF files you download are legally available for free. Many authors and publishers voluntarily provide free PDF versions of their work, but its essential to be cautious and verify the authenticity of the source before downloading Philips Log Splitter User Manual. In conclusion, the internet offers numerous platforms and websites that allow users to download free PDF files legally. Whether its classic literature, research papers, or magazines, there is something for everyone. The platforms mentioned in this article, such as Project Gutenberg, Open Library, Academia.edu, and Issuu, provide access to a vast collection of PDF files. However, users should always be cautious and verify the legality of the source before downloading Philips Log Splitter User Manual any PDF files. With these platforms, the world of PDF downloads is just a click away.

FAQs About Philips Log Splitter User Manual Books

1. Where can I buy Philips Log Splitter User Manual books? Bookstores: Physical bookstores like Barnes & Noble, Waterstones, and independent local stores. Online Retailers: Amazon, Book Depository, and various online bookstores offer a wide range of books in physical and digital formats.
2. What are the different book formats available? Hardcover: Sturdy and durable, usually more expensive. Paperback: Cheaper, lighter, and more portable than hardcovers. E-books: Digital books available for e-readers like Kindle or software like Apple Books, Kindle, and Google Play Books.
3. How do I choose a Philips Log Splitter User Manual book to read? Genres: Consider the genre you enjoy (fiction, non-fiction, mystery, sci-fi, etc.). Recommendations: Ask friends, join book clubs, or explore online reviews and recommendations. Author: If you like a particular author, you might enjoy more of their work.
4. How do I take care of Philips Log Splitter User Manual books? Storage: Keep them away from direct sunlight and in a dry environment. Handling: Avoid folding pages, use bookmarks, and handle them with clean hands. Cleaning: Gently dust the covers and pages occasionally.
5. Can I borrow books without buying them? Public Libraries: Local libraries offer a wide range of books for borrowing. Book Swaps: Community book exchanges or online platforms where people exchange books.
6. How can I track my reading progress or manage my book collection? Book Tracking Apps: Goodreads, LibraryThing, and Book Catalogue are popular apps for tracking your reading progress and managing book collections. Spreadsheets: You can create your own spreadsheet to track books read, ratings, and other details.

7. What are Philips Log Splitter User Manual audiobooks, and where can I find them? Audiobooks: Audio recordings of books, perfect for listening while commuting or multitasking. Platforms: Audible, LibriVox, and Google Play Books offer a wide selection of audiobooks.
8. How do I support authors or the book industry? Buy Books: Purchase books from authors or independent bookstores. Reviews: Leave reviews on platforms like Goodreads or Amazon. Promotion: Share your favorite books on social media or recommend them to friends.
9. Are there book clubs or reading communities I can join? Local Clubs: Check for local book clubs in libraries or community centers. Online Communities: Platforms like Goodreads have virtual book clubs and discussion groups.
10. Can I read Philips Log Splitter User Manual books for free? Public Domain Books: Many classic books are available for free as they're in the public domain. Free E-books: Some websites offer free e-books legally, like Project Gutenberg or Open Library.

Find Philips Log Splitter User Manual :

introduction to mass communication 12th edition

invitation letter for a workshop

improv guitar lesson

investment fund agreement template

industrial revolution brainpop

ips agility app

insurance templates pdf

~~inventory sign out sheet template word~~

information security risk assessment pdf

intermediate at law

injection molding textbook

international macroeconomics a modern approach

irish whiskey distilleries map

infinity gauntlet stone order

increase french vocabulary

Philips Log Splitter User Manual :