



Vehicles with multitronic gearbox 01J or automatic gearbox 01V:

 Note

Observe rules for cleanliness when working on gearbox ⇒ Rep. Gr. 00 or ⇒ Rep. Gr. 37.

- Place used oil collection and extraction unit -V.A.G 1782- under connection.
- Unscrew union nuts -3- and disconnect ATF pipes.
- Remove retainer for ATF pipes (unscrew nuts -1- and -2-).

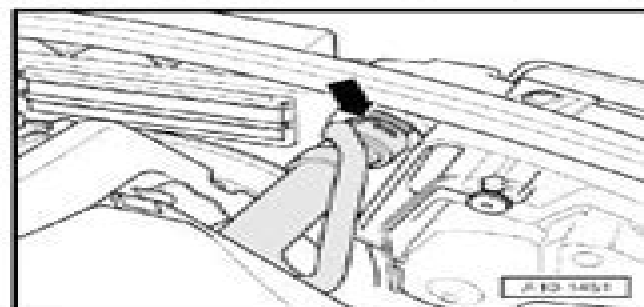
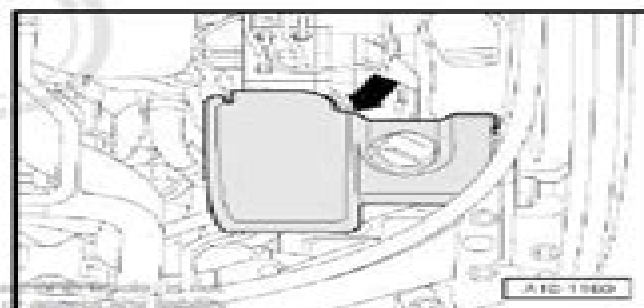
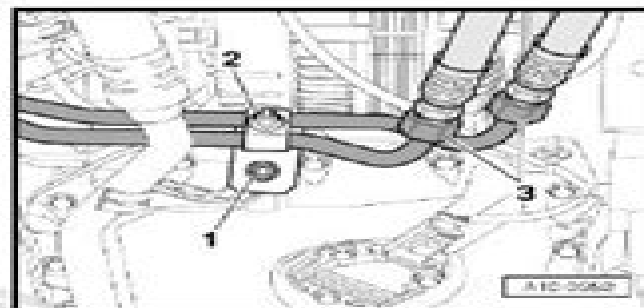
All models:

- Remove cover -arrow- at power steering fluid reservoir.

Protected by copyright. Copying for private or commercial purposes, in part or in full, is prohibited without the written permission of AUDI AG. AUDI AG does not guarantee the accuracy of the information with respect to the correctness of information in this document. Copyright by AUDI AG.

- Unplug the electrical connectors -arrows- and move wiring harness clear.

- Detach coolant hose (top) from radiator by releasing retaining clip -arrow-.



Audi C5 Service Manual Torrent

Robert Bentley



Audi C5 Service Manual Torrent

Audi A6 (C5) Service Manual 1998, 1999, 2000, 2001, 2002, 2003 2004 Bentley Publishers,2011-02 The Audi A6 C5 platform Repair Manual 1998 2004 is a comprehensive source of service information and technical specifications available for Audi A6 and S6 models build on the C5 platform including the allroad quattro and the RS6 The aim throughout has been simplicity and clarity with practical explanations step by step procedures and accurate specifications Whether you re a professional or a do it yourself Audi owner this manual helps you understand care for and repair your Audi Engines covered 1998 2001 2 8 liter V6 AHA ATQ 1999 2004 4 2 liter V8 ART AWN BBD 2000 2004 2 7 liter V6 biturbo APB BEL 2002 2004 3 0 liter V6 AVK 2003 2004 4 2 liter V8 BAS 2003 2004 4 2 liter V8 biturbo BCY Transmissions covered 5 speed manual AWD 01A 6 speed manual AWD 01E 5 speed automatic AWD 1L 5 speed automatic FWD or AWD 1V Continuously variable transmission CVT FWD 01J *Audi 100 & A6 (91-97) Service & Repair Manual* Andrew Legg,1998 *Audi 100 & A6 Service and Repair Manual* A. K. Legg,2014 Audi 100, A6 Repair Manual 1992, 1993, 1994, 1995, 1996 1997 ,1996 Bentley Publishers is the exclusive factory authorized publisher of Audi Repair Manuals in the United States and Canada The format has been designed for professional technicians so that finding applicable specifications is quick and easy and so that repair procedures can be grasped after a minimum of reading All manuals are heavily illustrated with high quality photographs and drawings and cover all aspects of maintenance and service work Every manual is complete with all factory specifications and tolerances **Audi 100 & A6 (91-97) Service and Repair Manual** Andrew Legg,Mark Coombs,1998 Saloon Estate inc special limited editions Does NOT cover Quattro S4 or S6 Petrol 1 8 litre 1781cc 2 0 litre 1984cc 2 3 litre 2309cc Does NOT cover V6 petrol engine Turbo Diesel 1 9 litre 1896cc 2 5 litre 2460cc Audi A6 Bentley Publishers,2003 Bentley Publishers is the exclusive factory authorized publisher of Audi Repair Manuals in the United States and Canada The format has been designed for professional technicians so that finding applicable specifications is quick and easy and so that repair procedures can be grasped after a minimum of reading All manuals are heavily illustrated with high quality photographs and drawings and cover aspects of maintenance and service work Every manual is with factory specifications and tolerances The Audi A6 Electrical Wiring Manual 1998 2000 covers Audi A6 models built on the C5 platform through model year 2000 This manual has been prepared using factory wiring diagrams electrical component location information and scan tool diagnostics Whether you re a professional service technician or a do it yourself Audi owner this manual will be indispensable as a source of the same detailed electrical system information available at an authorized Audi dealer Unfortunately Audi factory wiring diagrams are no longer available on paper Even an Audi owner who has no intention of working on his or her car will find that reviewing and owning this manual will make it possible to discuss repairs more intelligently with a professional service technician **Repair Manual 100/A6, M.y. 1995** Audi of America, Inc,1995

Repair Manual 100/S4/A6/S6, 1992 Audi of America, Inc,1995 **Audi A4 (4-cylinder) Service & Repair Manual** Spencer Drayton,2005 *Citroen C5* Martynn Randall,R. Jex,2008 Hatchback Estate inc special limited editions Does NOT cover models with 3 0 litre V6 petrol engine or 2 2 litre diesel engine Does NOT cover revised range introduced April 2008 Petrol 1 8 litre 1749cc 2 0 litre 1997cc Turbo Diesel 1 6 litre 1560cc 2 0 litre 1997cc **Audi Fox Service Manual, 1973-1979** Robert Bentley,1979 Outlines procedures for maintaining and repairing Audi Fox two door and four door sedans and station wagons sold in North America including close up photographs and charts *Audi Repair Manual 100/S4/A6/S6, 1992* Audi of America, Inc,1995 **Audi 100, 200 Official Factory Repair Manual, 1989, 1990, 1991** Audi of America,1992 Bentley Publishers is the exclusive factory authorized publisher of Audi Repair Manuals in the United States and Canada The format has been designed for professional technicians so that finding applicable specifications is quick and easy and so that repair procedures can be grasped after a minimum of reading All manuals are heavily illustrated with high quality photographs and drawings and cover aspects of maintenance and service work Every manual is with factory specifications and tolerances *Audi Repair Manual A6, 1998* Audi of America, Inc,1997 **Audi 100 Owners Workshop Manual** John Harold Haynes,Peter Ward,1980 **Audi Owners Workshop Manual** John Harold Haynes,K. F. Kinchin,1976 *Audi A4* Bentley Publishers,2010 The Audi A4 Service Manual 2002 2008 contains in depth maintenance service and repair information for Audi A4 models from 2002 to 2008 built on the B6 or B7 platforms Service to Audi owners is of top priority to Audi and has always included the continuing development and introduction of new and expanded services Whether you re a professional or a do it yourself Audi owner this manual will help you understand care for and repair your Audi Engines covered 1 8L turbo gasoline engine code AMB 2 0L turbo FSI gasoline engine codes BGP BWT 3 0L gasoline engine codes AVK BGN 3 2L gasoline engine codes BKH Transmissions covered 5 speed Manual transmission codes 012 01W 01A 6 speed Manual transmission codes 01E 01X 02X 5 speed Automatic transmission code 01V 6 speed Automatic transmission code 09L CVT transmission code 01J **Audi A4 Owner's Workshop Manual (Swedish)** ,2016-01 **Audi Owners Workshop Manual** A. K. Legg,2003 **Audi A4 (B5) Service Manual** Bentley Publishers,2011-04 The Audi A4 B5 1996 2001 Service Manual contains in depth maintenance service and repair information for Audi A4 models built on the B5 platform from 1996 to 2001 Service to Audi owners is of top priority to Audi and has always included the continuing development and introduction of new and expanded services The aim throughout this manual has been simplicity and clarity with practical explanations step by step procedures and factory specifications Whether you re a professional or a do it yourself Audi owner this manual will help you understand care for and repair your Audi Engines covered 1 8L turbo gasoline engine codes AEB ATW AWM 2 8L gasoline engine codes AFC AHA ATQ Transmissions covered 5 speed Manual transmission codes 012 01W 01A 5 speed Automatic transmission code 01V

toyota tacoma 1997 2000 haynes repair manuals guides - Aug 15 2023

web chapter 1 general information and maintenance chapter 2 engine electrical chapter 3 engine and engine overhaul chapter 4 driveability and emissions controls chapter 5

toyota tacoma haynes repair manuals guides - Aug 03 2022

web view and download toyota tacoma 2001 operating manual online tacoma 2001 automobile pdf manual download *pdf download toyota tacoma 2006 2018 haynes repair* - Dec 27 2021

print online toyota us repair manuals haynes publishing - Mar 10 2023

web a haynes manual makes it easy to service and repair your toyota online digital pdf and print manuals for all popular models

toyota tacoma service manuals 1995 2006 pdf - Jan 08 2023

web feb 26 2019 paperback toyota tacoma 4runner t100 automotive repair manual models covered 2wd and 4wd toyota tacoma 1995 thru 1998 4runner 1996 thru

2001 toyota tacoma repair manual books carid com - Jun 01 2022

web jan 1 2001 toyota tacoma repair manual 2001 paperback january 1 2001 this is the official repair manual that the dealers and shops use this is the finest manual

toyota tacoma 05 18 haynes repair manual - Feb 09 2023

web editors of haynes manuals 2016 03 15 complete coverage for your toyota tacoma covering all model for 2005 2015 routine maintenance and servicing tune up

toyota repair and workshop manuals haynes chilton - Sep 04 2022

web toyota tacoma 2001 repair manual by haynes manuals this top grade product is expertly made in compliance with stringent industry standards to offer a fusion of a well

[haynes 2001 toyota tacoma service manual pdf](#) - Jan 28 2022

web toyota wireless trailer camera system toyota s wireless camera system wcs offers an enhanced towing experience with additional visibility this system is designed to

haynes 2001 toyota tacoma service manual pdf 101 pasteur - Jul 02 2022

web no need to hunt down a separate toyota repair manual or toyota service manual from warranties on toyota replacement parts to details on features toyota owners

2001 2004 tacoma factory service manual tacoma world - Apr 11 2023

web jan 19 2014 here any and all the service manuals you could want make sure you download them now or else they might

not exist in the future due to toyota proprietary

amazon com haynes manual toyota tacoma - Oct 05 2022

web haynes 2001 toyota tacoma service manual 2 downloaded from l01 pasteur uy on 2020 08 31 by guest disassembles every subject vehicle and documents every step with

2001 toyota tacoma manuals warranties toyota owners - Mar 30 2022

web apr 26 2020 start now pdf download toyota tacoma 2006 2018 haynes repair manual haynes automotive read online toyota tacoma 2006 2018 haynes repair

toyota tacoma repair service manuals 122 pdf s - May 12 2023

web updated june 23 we have 122 toyota tacoma manuals covering a total of 29 years of production in the table below you can see 2 tacoma workshop manuals 0 tacoma

toyota tacoma 2001 operating manual pdf download - Apr 30 2022

web haynes 2001 toyota tacoma service manual downloaded from marketing isync io by guest huerta bryan bmw x3 e83 service manual 2004 2005 2006 2007 2008

toyota tacoma repair manual 2001 amazon com - Feb 26 2022

web the original haynes repair manual based on a complete stripdown and rebuild of a vehicle toyota tacoma 2005 2018 change includes online edition what s included

haynes 2001 toyota tacoma service manual pdf pdf - Dec 07 2022

web a haynes manual makes it easy to service and repair your toyota online digital pdf and print manuals for all popular models

toyota tacoma 2005 2018 haynes repair manuals guides - Nov 25 2021

toyota repair and workshop manuals haynes chilton - Jun 13 2023

web a haynes manual makes it easy to service and repair your toyota online digital pdf and print manuals for all popular models skip to main content go to front page choose

toyota tacoma repair manual service manual - Nov 06 2022

web need to service or repair your toyota tacoma online and print formats available save time and money when you follow the advice of haynes master mechanics

toyota tacoma 1995 2004 haynes repair manuals guides - Jul 14 2023

web need to service or repair your toyota tacoma 1995 2004 online and print formats available toyota tacoma 1995 2004 toyota 4runner 1996 2002 product details

2001 toyota sienna manuals warranties toyota owners - Oct 25 2021

lonely planet pocket canberra pocket guide by lonely planet - Dec 28 2021

web find many great new used options and get the best deals for lonely planet pocket canberra pocket guide by lonely planet at the best online prices at ebay free delivery for many products

pocket canberra lonely planet travel guide booktopia - Jan 09 2023

web nov 1 2019 lonely planet s pocket canberra is your passport to the most relevant up to date advice on what to see and skip and what hidden discoveries await you explore the city s many museums take a leisurely stroll around lake burley griffin and go tasting in the surrounding wineries all with your trusted travel companion

9781788682718 lonely planet pocket canberra 1 pocket guide - Nov 07 2022

web lonely planet s pocket canberra is your passport to the most relevant up to date advice on what to see and skip and what hidden discoveries await you explore the city s many museums take a leisurely stroll around lake burley griffin and go tasting in the surrounding wineries all with your trusted travel companion

pocket lonely planet - Jun 02 2022

web pocket guides for travelers on a short trip that want to make the most of their time these handy sized guides cover a city s best local experiences ideal for trips lasting between 1 and 7 days

lonely planet pocket canberra by samantha forge scribd - Mar 11 2023

web lonely planet the world s number one travel guide publisher lonely planet s pocket canberra is your passport to the most relevant up to date advice on what to see and skip and what hidden discoveries await you explore the city s many museums take a leisurely stroll around lake burley griffin and go tasting in the surrounding wineries all with your

lonely planet pocket canberra pocket guide kindle edition - Jul 03 2022

web nov 1 2019 amazon com lonely planet pocket canberra pocket guide ebook forge samantha kindle store

lonely planet pocket canberra 1 pocket guide paperback - Sep 05 2022

web lonely planet s pocket canberrais your passport to the most relevant up to date advice on what to see and skip and what hidden discoveries await you explore the city s many museums take a leisurely stroll around lake burley griffin and go tasting in the surrounding wineries all with your trusted travel companion

lonely planet pocket canberra pocket guide kindle edition - Jun 14 2023

web lonely planet s pocket canberra is your passport to the most relevant up to date advice on what to see and skip and what hidden discoveries await you explore the city s many museums take a leisurely stroll around lake burley griffin and go tasting in the surrounding wineries all with your trusted travel companion

unishop pocket canberra lonely planet travel guide - May 01 2022

web lonely planet the world s number one travel guide publisher lonely planet s pocket canberra is your passport to the most relevant up to date advice on what to see and skip and what hidden discoveries await you explore the city s many museums take a

[lonely planet pocket canberra overdrive](#) - Feb 10 2023

web nov 1 2019 lonely planet s pocket canberra is your passport to the most relevant up to date advice on what to see and skip and what hidden discoveries await you explore the city s many museums take a leisurely stroll around lake burley griffin and go tasting in the surrounding wineries all with your trusted travel companion

lonely planet pocket canberra top sights local experiences pocket guide - Dec 08 2022

web lonely planet the world s number one travel guide publisher lonely planet s pocket canberra is your passport to the most relevant up to date advice on what to see and skip and what hidden discoveries await you explore the city s many museums take a leisurely stroll around lake burley griffin and go tasting in the surrounding

[lonely planet pocket canberra top sights local experiences pocket guide](#) - May 13 2023

web the perfect choice lonely planet s pocket canberra is our colourful easy to use and handy guide that literally fits in your pocket and is packed with the best sights and experiences for a short trip or weekend away

[lonely planet pocket canberra pocket guide kindle edition](#) - Mar 31 2022

web lonely planet pocket canberra pocket guide ebook forge samantha amazon in kindle store

pocket canberra travel guide lonely planet online shop - Aug 16 2023

web inside lonely planet s pocket canberra full colour maps and images throughout highlights and itineraries help you tailor your trip to your personal needs and interests insider tips to save time and money and get around like a

[lonely planet pocket canberra kobo com](#) - Jul 15 2023

web rakuten kobo dan samantha forge tarafından lonely planet pocket canberra kitabını okuyun lonely planet the world s number one travel guide publisher lonely planet s pocket canberrais your passport to the mos

lonely planet pocket canberra pocket guide paperback - Oct 06 2022

web nov 15 2019 lonely planet s pocket canberra is your passport to the most relevant up to date advice on what to see and skip and what hidden discoveries await you explore the city s many museums take a leisurely stroll around lake burley griffin and go tasting in the surrounding wineries all with your trusted travel companion

lonely planet pocket canberra paper plus - Feb 27 2022

web lonely planet the world s number one travel guide publisher lonely planet s pocket canberra is your passport to the most relevant non fiction

lonely planet pocket canberra 1 pocket guide goodreads - Apr 12 2023

web nov 19 2019 get to the heart of canberra and begin your journey now inside lonely planet s pocket canberra the perfect lonely planet s pocket canberra is our colourful easy to use and handy guide that literally fits in your pocket and is packed with the best sights and experiences for a short trip or weekend away looking for more extensive

lonely planet pocket canberra 1 pocket guide paperback - Aug 04 2022

web nov 19 2019 lonely planet pocket canberra 1 pocket guide forge samantha on amazon com free shipping on qualifying offers lonely planet pocket canberra 1 pocket guide

lonely planet pocket canberra travel universe - Jan 29 2022

web lonely planet s pocket canberra is your passport to the most relevant up to date advice on what to see and skip and what hidden discoveries await mid year sale extra 20 off over 300 use code 20midyear 1 per customer enjoy free fast delivery 69 delivery times

le mineur et le droit pa c nal logiques juridique cares cariloop - Jun 16 2023

la condition juridique du mineur l autonomie du droit pénal des mineurs l enfant mineur devant le droit pénal rwandais protection du mineur et liberté d expression sur internet Étude

le mineur et le droit pa c nal logiques juridique full pdf ftp - Dec 10 2022

le mineur et le droit pa c nal logiques juridique downloaded from ftp thedevonshirelondon co uk by guest andrew mohammed la protection

ebook le mineur et le droit pa c nal - Jun 04 2022

pénale représentation du mineur assistance procès pénal du mineur de droit européen et international présentant les dispositions applicables spécifiquement aux mineurs l ouvrage

le mineur et le droit pa c nal logiques juridique download - Nov 09 2022

le statut du mineur détenu mineurs et droits européens de la restitutio in integrum accordée aux mineurs en droit romain la protection de la personnalité du mineur droit pénal des

le mineur et le droit pa c nal logiques juridique - Oct 08 2022

la responsabilite penale du mineur le droit pénal des mineurs la protection judiciaire du mineur en danger le mineur en droit pénal le discernement du

le mineur et le droit pa c nal logiques juridique copy fkw law - Jul 17 2023

le mineur et le droit pa c nal logiques juridique the right to a fair trial european commission for democracy through law 2000 01 01 the right to a fair trial is a fundamental

le mineur et le droit pa c nal logiques juridique copy - Dec 30 2021

2 le mineur et le droit pa c nal logiques juridique 2021 01 04 presses universitaires de france puf la situation du mineur délinquant a très tôt suscité l attention du droit pénal le

le mineur et le droit pa c nal pdf mail thekingiscoming - Apr 02 2022

la situation du mineur délinquant a très tôt suscité l attention du droit pénal le mineur est désormais soumis à un traitement différent de celui infligé aux adultes avant de déclarer un

le mineur et le droit pa c nal pdf jmsseniorg - Mar 01 2022

l expression le mineur capable de discernement est de plus en plus utilisée dans les textes relatifs aux droits des mineurs ce regain d intérêt pour la notion de discernement mérite que

savaş kitap basım yayım dağ tıc ltd štı - Jan 11 2023

vedat kitapçılık niyet mektubunun hukuki niteliği ve bağlayıcılığı r cem dinar

le mineur et le droit pa c nal pdf old restorativejustice org - May 15 2023

le mineur et le droit pa c nal le mineur et le droit pa c nal 1 downloaded from old restorativejustice org on 2020 11 07 by guest as recognized adventure as capably as

le mineur et le droit pa c nal logiques juridique download - Nov 28 2021

le mineur et le droit pa c nal logiques juridique le statut du mineur détenu les mineurs non accompagnés en droit d asile Étude de droit international privé la défense du mineur

le mineur et le droit pa c nal 2023 zapmap nissan co - Jan 31 2022

le mineur étranger en droit français et en droit européen de l in integrum restitutio des mineurs en droit romain et de l action en nullité ou en rescision des conventions en droit civil droit et

le mineur et le droit pa c nal logiques juridique pdf sql - Oct 28 2021

le discernement du mineur le mineur son corps et le droit criminel de la restitutio in integrum accordée aux mineurs en droit romain enfance placée et service public 4 le mineur et le

le mineur et le droit pa c nal logiques juridique download - May 03 2022

le mineur et le droit pa c nal logiques juridique 1 le mineur et le droit pa c nal logiques juridique droits des mineurs à l usage des professionnels de l enfance la condition juridique

le mineur et le droit pÉnal sous la direction de - Sep 19 2023

malgré cette volonté de protection sans cesse réaffirmée ni les dispositions du nouveau code pénal ni les mesures éducatives de l ordonnance de 1945 ni les pratiques judiciaires ne permettent d atteindre avec efficacité l objectif recherché la socialisation harmonieuse de

le mineur et le droit pa c nal logiques juridique copy monograf - Sep 07 2022

le mineur et le droit pa c nal logiques juridique 1 le mineur et le droit pa c nal logiques juridique if you ally dependence such a referred le mineur et le droit pa c nal logiques

istanbul uni hukuk fakultesi dergipark - Feb 12 2023

l obligation d entretien de ses parents même s il n est plus mineur on peut supposer que le législateur a voulu seulement éviter que l enfant mineur devenu majeur ne soit contraint

free le mineur et le droit pa c nal logiques juridique - Aug 06 2022

la règle de droit la normativité juridique a t elle ou non un caractère impératif qu est ce qui distingue le droit de la morale ou de la religion ce livre voudrait en outre promouvoir une

le mineur et le droit pa c nal bk swordsswords - Mar 13 2023

le mineur et le droit pa c nal 1 le mineur et le droit pa c nal droit des mineurs la responsabilite penale du mineur le discernement du mineur protection du mineur

le mineur et le droit pa c nal logiques juridique united - Apr 14 2023

feb 28 2023 justice et socit en france aux xvie xviiie et xviiiie sicles benot garnot 2000 panorama de la criminalit et des manieres de la traiter dans la france d ancien rgime

le mineur et le droit pa c nal pdf uniport edu - Jul 05 2022

sep 16 2023 guides you could enjoy now is le mineur et le droit pa c nal below répertoire général alphabétique du droit français 1888 etude sur la vénalité des charges et fonctions

le mineur et le droit pa c nal logiques juridique - Aug 18 2023

le mineur et le droit pa c nal logiques juridique convention européenne sur le rapatriement des mineurs aug 05 2023 le code d instruction le code des eaux et forêts le code de la

Uncover the mysteries within Crafted by is enigmatic creation, Embark on a Mystery with **Audi C5 Service Manual Torrent** . This downloadable ebook, shrouded in suspense, is available in a PDF format (Download in PDF: *). Dive into a world of uncertainty and anticipation. Download now to unravel the secrets hidden within the pages.

https://offsite.creighton.edu/files/virtual-library/Documents/justin_j_train_gonzales.pdf

https://offsite.creighton.edu/files/virtual-library/Documents/john_calvin_major_works.pdf

https://offsite.creighton.edu/files/virtual-library/Documents/jeremy_pena_speaking_spanish.pdf

Table of Contents Audi C5 Service Manual Torrent

1. Understanding the eBook Audi C5 Service Manual Torrent
 - The Rise of Digital Reading Audi C5 Service Manual Torrent
 - Advantages of eBooks Over Traditional Books
2. Identifying Audi C5 Service Manual Torrent
 - Exploring Different Genres
 - Considering Fiction vs. Non-Fiction
 - Determining Your Reading Goals
3. Choosing the Right eBook Platform
 - Popular eBook Platforms
 - Features to Look for in an Audi C5 Service Manual Torrent
 - User-Friendly Interface
4. Exploring eBook Recommendations from Audi C5 Service Manual Torrent
 - Personalized Recommendations
 - Audi C5 Service Manual Torrent User Reviews and Ratings

- Audi C5 Service Manual Torrent and Bestseller Lists
- 5. Accessing Audi C5 Service Manual Torrent Free and Paid eBooks
 - Audi C5 Service Manual Torrent Public Domain eBooks
 - Audi C5 Service Manual Torrent eBook Subscription Services
 - Audi C5 Service Manual Torrent Budget-Friendly Options
- 6. Navigating Audi C5 Service Manual Torrent eBook Formats
 - ePub, PDF, MOBI, and More
 - Audi C5 Service Manual Torrent Compatibility with Devices
 - Audi C5 Service Manual Torrent Enhanced eBook Features
- 7. Enhancing Your Reading Experience
 - Adjustable Fonts and Text Sizes of Audi C5 Service Manual Torrent
 - Highlighting and Note-Taking Audi C5 Service Manual Torrent
 - Interactive Elements Audi C5 Service Manual Torrent
- 8. Staying Engaged with Audi C5 Service Manual Torrent
 - Joining Online Reading Communities
 - Participating in Virtual Book Clubs
 - Following Authors and Publishers Audi C5 Service Manual Torrent
- 9. Balancing eBooks and Physical Books Audi C5 Service Manual Torrent
 - Benefits of a Digital Library
 - Creating a Diverse Reading Collection Audi C5 Service Manual Torrent
- 10. Overcoming Reading Challenges
 - Dealing with Digital Eye Strain
 - Minimizing Distractions
 - Managing Screen Time
- 11. Cultivating a Reading Routine Audi C5 Service Manual Torrent
 - Setting Reading Goals Audi C5 Service Manual Torrent
 - Carving Out Dedicated Reading Time
- 12. Sourcing Reliable Information of Audi C5 Service Manual Torrent
 - Fact-Checking eBook Content of Audi C5 Service Manual Torrent
 - Distinguishing Credible Sources

13. Promoting Lifelong Learning
 - Utilizing eBooks for Skill Development
 - Exploring Educational eBooks
14. Embracing eBook Trends
 - Integration of Multimedia Elements
 - Interactive and Gamified eBooks

Audi C5 Service Manual Torrent Introduction

In this digital age, the convenience of accessing information at our fingertips has become a necessity. Whether its research papers, eBooks, or user manuals, PDF files have become the preferred format for sharing and reading documents. However, the cost associated with purchasing PDF files can sometimes be a barrier for many individuals and organizations. Thankfully, there are numerous websites and platforms that allow users to download free PDF files legally. In this article, we will explore some of the best platforms to download free PDFs. One of the most popular platforms to download free PDF files is Project Gutenberg. This online library offers over 60,000 free eBooks that are in the public domain. From classic literature to historical documents, Project Gutenberg provides a wide range of PDF files that can be downloaded and enjoyed on various devices. The website is user-friendly and allows users to search for specific titles or browse through different categories. Another reliable platform for downloading Audi C5 Service Manual Torrent free PDF files is Open Library. With its vast collection of over 1 million eBooks, Open Library has something for every reader. The website offers a seamless experience by providing options to borrow or download PDF files. Users simply need to create a free account to access this treasure trove of knowledge. Open Library also allows users to contribute by uploading and sharing their own PDF files, making it a collaborative platform for book enthusiasts. For those interested in academic resources, there are websites dedicated to providing free PDFs of research papers and scientific articles. One such website is Academia.edu, which allows researchers and scholars to share their work with a global audience. Users can download PDF files of research papers, theses, and dissertations covering a wide range of subjects. Academia.edu also provides a platform for discussions and networking within the academic community. When it comes to downloading Audi C5 Service Manual Torrent free PDF files of magazines, brochures, and catalogs, Issuu is a popular choice. This digital publishing platform hosts a vast collection of publications from around the world. Users can search for specific titles or explore various categories and genres. Issuu offers a seamless reading experience with its user-friendly interface and allows users to download PDF files for offline reading. Apart from dedicated platforms, search engines also play a crucial role in finding free PDF files. Google, for instance, has an advanced search feature that allows users to filter results by file type. By specifying the file type as "PDF," users can find websites that

offer free PDF downloads on a specific topic. While downloading Audi C5 Service Manual Torrent free PDF files is convenient, its important to note that copyright laws must be respected. Always ensure that the PDF files you download are legally available for free. Many authors and publishers voluntarily provide free PDF versions of their work, but its essential to be cautious and verify the authenticity of the source before downloading Audi C5 Service Manual Torrent. In conclusion, the internet offers numerous platforms and websites that allow users to download free PDF files legally. Whether its classic literature, research papers, or magazines, there is something for everyone. The platforms mentioned in this article, such as Project Gutenberg, Open Library, Academia.edu, and Issuu, provide access to a vast collection of PDF files. However, users should always be cautious and verify the legality of the source before downloading Audi C5 Service Manual Torrent any PDF files. With these platforms, the world of PDF downloads is just a click away.

FAQs About Audi C5 Service Manual Torrent Books

How do I know which eBook platform is the best for me? Finding the best eBook platform depends on your reading preferences and device compatibility. Research different platforms, read user reviews, and explore their features before making a choice. Are free eBooks of good quality? Yes, many reputable platforms offer high-quality free eBooks, including classics and public domain works. However, make sure to verify the source to ensure the eBook credibility. Can I read eBooks without an eReader? Absolutely! Most eBook platforms offer webbased readers or mobile apps that allow you to read eBooks on your computer, tablet, or smartphone. How do I avoid digital eye strain while reading eBooks? To prevent digital eye strain, take regular breaks, adjust the font size and background color, and ensure proper lighting while reading eBooks. What the advantage of interactive eBooks? Interactive eBooks incorporate multimedia elements, quizzes, and activities, enhancing the reader engagement and providing a more immersive learning experience. Audi C5 Service Manual Torrent is one of the best book in our library for free trial. We provide copy of Audi C5 Service Manual Torrent in digital format, so the resources that you find are reliable. There are also many Ebooks of related with Audi C5 Service Manual Torrent. Where to download Audi C5 Service Manual Torrent online for free? Are you looking for Audi C5 Service Manual Torrent PDF? This is definitely going to save you time and cash in something you should think about. If you trying to find then search around for online. Without a doubt there are numerous these available and many of them have the freedom. However without doubt you receive whatever you purchase. An alternate way to get ideas is always to check another Audi C5 Service Manual Torrent. This method for see exactly what may be included and adopt these ideas to your book. This site will almost certainly help you save time and effort, money and stress. If you are looking for free books then you really should consider finding to assist you try this. Several of Audi C5 Service Manual Torrent are for sale to free while some are payable. If you arent sure if the books

you would like to download works with for usage along with your computer, it is possible to download free trials. The free guides make it easy for someone to free access online library for download books to your device. You can get free download on free trial for lots of books categories. Our library is the biggest of these that have literally hundreds of thousands of different products categories represented. You will also see that there are specific sites catered to different product types or categories, brands or niches related with Audi C5 Service Manual Torrent. So depending on what exactly you are searching, you will be able to choose e books to suit your own need. Need to access completely for Campbell Biology Seventh Edition book? Access Ebook without any digging. And by having access to our ebook online or by storing it on your computer, you have convenient answers with Audi C5 Service Manual Torrent To get started finding Audi C5 Service Manual Torrent, you are right to find our website which has a comprehensive collection of books online. Our library is the biggest of these that have literally hundreds of thousands of different products represented. You will also see that there are specific sites catered to different categories or niches related with Audi C5 Service Manual Torrent So depending on what exactly you are searching, you will be able to choose ebook to suit your own need. Thank you for reading Audi C5 Service Manual Torrent. Maybe you have knowledge that, people have search numerous times for their favorite readings like this Audi C5 Service Manual Torrent, but end up in harmful downloads. Rather than reading a good book with a cup of coffee in the afternoon, instead they juggled with some harmful bugs inside their laptop. Audi C5 Service Manual Torrent is available in our book collection an online access to it is set as public so you can download it instantly. Our digital library spans in multiple locations, allowing you to get the most less latency time to download any of our books like this one. Merely said, Audi C5 Service Manual Torrent is universally compatible with any devices to read.

Find Audi C5 Service Manual Torrent :

justin j train gonzales

john calvin major works

jeremy pena speaking spanish

kangaroo group called

jesus is the light of the world craft

journalism certification texas

junior to be crossword clue

joe hardy dead

jung the undiscovered self

jenni rivera court

just a look into my twisted mind

jelly bean prayer lesson

judy blume best selling book

jungle love meaning

~~jennette mccurdy book summary~~

Audi C5 Service Manual Torrent :