

GENERAL DIMENSIONS (Fig. 1)

- A.** Overall Height (over Steering Wheel): 1486 mm (58.5 in.)
A₁ Overall Height (over Exhaust): 2165 mm (85.2 in.)
B. Overall Width: 1851 mm (73 in.)
C. Overall Length: 3213 mm (126.5 in.)
D. Wheelbase (without Spacer): 1892 mm (74.5 in.)

Ground Clearance:

- E.** Under Weight Frame (with Weights): 0-305 mm (12 in.)
F. Ground Clearance (under Clutch Housing): 0-33 mm (1.3 in.)

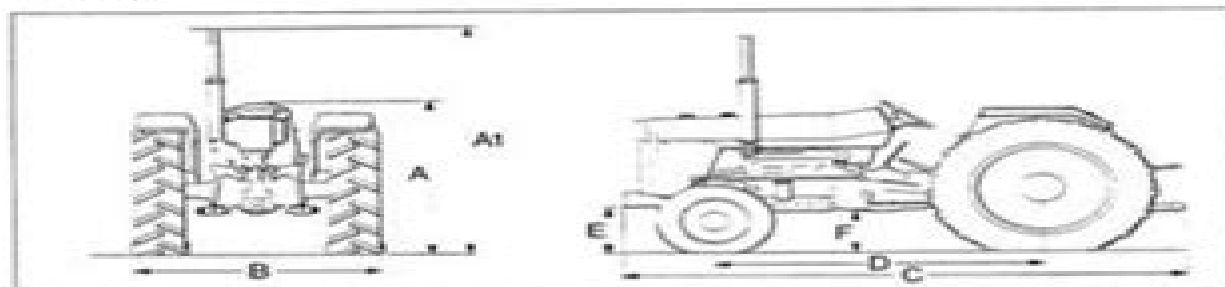
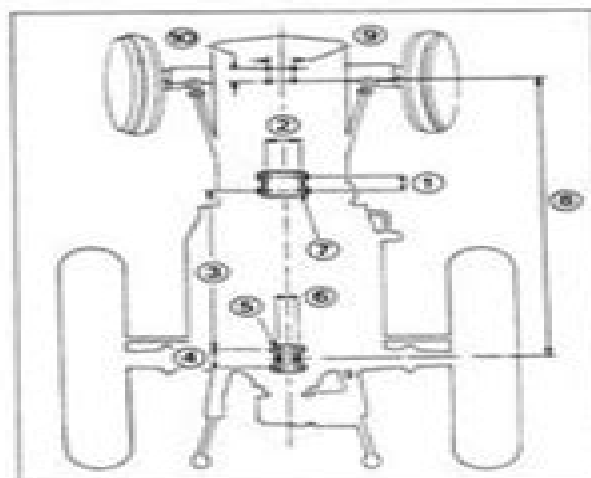
Turning Circle: 6,425 m (21-1 ft) Without Brakes;
 5,857 m (19-25 ft) With Brakes

Weight (with fuel, oil and water): 1650 kg (3642 lb)

Note: The above dimensions are for a tractor fitted with 6-00-16 front tyres and 11-28 rear tyres at 1321 mm (52 in) and 1420 mm (56 in) track settings respectively.

MOUNTING POINTS (Fig. 2)

1. 101.6 mm (4 in)
2. 184 mm (7 1/4 in)
3. 1016 mm (40 1/4 in)
4. 152.4 mm (6 in)
5. 4 holes tap 7/8 in 10 UNC 30 x 28.8 mm (1 1/4 in) deep (blind)
6. 85.7 mm (3 3/8 in)
7. 8 holes tap 7/8 in 11 UNC
8. 1831 mm (72 1/4 in)
9. 152.4 mm (6 in)
10. 114.3 mm (4 1/2 in)

**FIG. 1****FIG. 2**

Massey Ferguson Tractors 240 Repair Manual

CH Cherryholmes



Massey Ferguson Tractors 240 Repair Manual

Massey Ferguson Shop Manual Models MF230 MF 235 MF240 + Penton Staff,2000-05-24 Gas Models MF230 MF235 MF245 Diesel Models MF230 MF235 MF240 MF245 MF250

Massey Ferguson 35 Tractor Chris Jaworski,2020-03-17 Learn everything you need to know about the Ferguson MF 35 and TO35 With step by step instructions for weekly checks operator maintenance engines cooling and fuel systems transmissions brakes hydraulics and so much more this user friendly restoration service manual details a wide range of topics so you can understand your tractor machinery from the inside out

Massey Ferguson Tractor ,2011

International 240 Tractor Technical Service Repair Shop Manual ,1959-01-15

Massey-Ferguson Shop Manual No. MF-42 ,1988

Massey-Ferguson Shop Manual Models TO35 TO35 Diesel F40+ Editors of Haynes Manuals,1990-06-01 With a Haynes manual you can do it yourself from simple maintenance to basic repairs Haynes writes every book based on a complete teardown of the vehicle where we learn the best ways to do a job and that makes it quicker easier and cheaper for you Haynes books have clear instructions and hundreds of photographs that show each step Whether you are a beginner or a pro you can save big with a Haynes manual This manual features complete coverage for your Massey Ferguson tractor covering Routine maintenance Tune up procedures Engine repair Cooling and heating Air conditioning Fuel and exhaust Emissions control Ignition brakes Suspension and steering Electrical systems Models covered include Massey Ferguson F40 Massey Ferguson MF202 Massey Ferguson MF204 Massey Ferguson MF35 Massey Ferguson MF35 Diesel Massey Ferguson MF50 Massey Ferguson MH50 Massey Ferguson MHF202 Massey Ferguson TO35 Massey Ferguson TO35 Diesel

Parts Book Massey-Ferguson (Aust.) Ltd.),1974

Workshop Manual for Massey-Ferguson Tractors, Models FE-65 and FE-35 Massey-Ferguson (Aust.) Ltd,1962

Massey Ferguson Shop Manual Model MF285 Penton Staff,2000-05-24 Models MF285

Massey-Ferguson Shop Manual Intertec Publishing Corporation,1993

Massey-Ferguson Shop Manual ,1977

Massey-Ferguson Agricultural Tractors Workshop Service Manual Massey-Ferguson Ltd,197?

Massey-Ferguson ,1994

MF 1505 and MF 1805 Tractors Service Manual Massey Ferguson Co,1981

MF 1100 and 1130 Tractors Service Manual Massey Ferguson Co,1981

Massey Ferguson 404 TECHNICAL SERVICE REPAIR SHOP MANUAL ,1959-01-15

200 Series Tractors ,1992

Ferguson tractor service manual Massey-Harris-Ferguson,1955

Massey Ferguson Shop Manual Models MF670 MF690 & MF698 Penton Staff,2000-05-24 Models MF670 MF690 MF698

I & T Shop Service ,1993

Reviewing **Massey Ferguson Tractors 240 Repair Manual**: Unlocking the Spellbinding Force of Linguistics

In a fast-paced world fueled by information and interconnectivity, the spellbinding force of linguistics has acquired newfound prominence. Its capacity to evoke emotions, stimulate contemplation, and stimulate metamorphosis is actually astonishing. Within the pages of "**Massey Ferguson Tractors 240 Repair Manual**," an enthralling opus penned by a highly acclaimed wordsmith, readers embark on an immersive expedition to unravel the intricate significance of language and its indelible imprint on our lives. Throughout this assessment, we shall delve in to the book is central motifs, appraise its distinctive narrative style, and gauge its overarching influence on the minds of its readers.

<https://offsite.creighton.edu/book/virtual-library/HomePages/harcourt%20social%20studies%20grade%205.pdf>

https://offsite.creighton.edu/book/virtual-library/HomePages/great_western_war_2022.pdf

https://offsite.creighton.edu/book/virtual-library/HomePages/grace_cleveland_dahmer.pdf

Table of Contents Massey Ferguson Tractors 240 Repair Manual

1. Understanding the eBook Massey Ferguson Tractors 240 Repair Manual
 - The Rise of Digital Reading Massey Ferguson Tractors 240 Repair Manual
 - Advantages of eBooks Over Traditional Books
2. Identifying Massey Ferguson Tractors 240 Repair Manual
 - Exploring Different Genres
 - Considering Fiction vs. Non-Fiction
 - Determining Your Reading Goals
3. Choosing the Right eBook Platform
 - Popular eBook Platforms
 - Features to Look for in an Massey Ferguson Tractors 240 Repair Manual
 - User-Friendly Interface
4. Exploring eBook Recommendations from Massey Ferguson Tractors 240 Repair Manual
 - Personalized Recommendations
 - Massey Ferguson Tractors 240 Repair Manual User Reviews and Ratings
 - Massey Ferguson Tractors 240 Repair Manual and Bestseller Lists

5. Accessing Massey Ferguson Tractors 240 Repair Manual Free and Paid eBooks
 - Massey Ferguson Tractors 240 Repair Manual Public Domain eBooks
 - Massey Ferguson Tractors 240 Repair Manual eBook Subscription Services
 - Massey Ferguson Tractors 240 Repair Manual Budget-Friendly Options
6. Navigating Massey Ferguson Tractors 240 Repair Manual eBook Formats
 - ePub, PDF, MOBI, and More
 - Massey Ferguson Tractors 240 Repair Manual Compatibility with Devices
 - Massey Ferguson Tractors 240 Repair Manual Enhanced eBook Features
7. Enhancing Your Reading Experience
 - Adjustable Fonts and Text Sizes of Massey Ferguson Tractors 240 Repair Manual
 - Highlighting and Note-Taking Massey Ferguson Tractors 240 Repair Manual
 - Interactive Elements Massey Ferguson Tractors 240 Repair Manual
8. Staying Engaged with Massey Ferguson Tractors 240 Repair Manual
 - Joining Online Reading Communities
 - Participating in Virtual Book Clubs
 - Following Authors and Publishers Massey Ferguson Tractors 240 Repair Manual
9. Balancing eBooks and Physical Books Massey Ferguson Tractors 240 Repair Manual
 - Benefits of a Digital Library
 - Creating a Diverse Reading Collection Massey Ferguson Tractors 240 Repair Manual
10. Overcoming Reading Challenges
 - Dealing with Digital Eye Strain
 - Minimizing Distractions
 - Managing Screen Time
11. Cultivating a Reading Routine Massey Ferguson Tractors 240 Repair Manual
 - Setting Reading Goals Massey Ferguson Tractors 240 Repair Manual
 - Carving Out Dedicated Reading Time
12. Sourcing Reliable Information of Massey Ferguson Tractors 240 Repair Manual
 - Fact-Checking eBook Content of Massey Ferguson Tractors 240 Repair Manual
 - Distinguishing Credible Sources
13. Promoting Lifelong Learning

- Utilizing eBooks for Skill Development
 - Exploring Educational eBooks
14. Embracing eBook Trends
- Integration of Multimedia Elements
 - Interactive and Gamified eBooks

Massey Ferguson Tractors 240 Repair Manual Introduction

Free PDF Books and Manuals for Download: Unlocking Knowledge at Your Fingertips In today's fast-paced digital age, obtaining valuable knowledge has become easier than ever. Thanks to the internet, a vast array of books and manuals are now available for free download in PDF format. Whether you are a student, professional, or simply an avid reader, this treasure trove of downloadable resources offers a wealth of information, conveniently accessible anytime, anywhere. The advent of online libraries and platforms dedicated to sharing knowledge has revolutionized the way we consume information. No longer confined to physical libraries or bookstores, readers can now access an extensive collection of digital books and manuals with just a few clicks. These resources, available in PDF, Microsoft Word, and PowerPoint formats, cater to a wide range of interests, including literature, technology, science, history, and much more. One notable platform where you can explore and download free Massey Ferguson Tractors 240 Repair Manual PDF books and manuals is the internet's largest free library. Hosted online, this catalog compiles a vast assortment of documents, making it a veritable goldmine of knowledge. With its easy-to-use website interface and customizable PDF generator, this platform offers a user-friendly experience, allowing individuals to effortlessly navigate and access the information they seek. The availability of free PDF books and manuals on this platform demonstrates its commitment to democratizing education and empowering individuals with the tools needed to succeed in their chosen fields. It allows anyone, regardless of their background or financial limitations, to expand their horizons and gain insights from experts in various disciplines. One of the most significant advantages of downloading PDF books and manuals lies in their portability. Unlike physical copies, digital books can be stored and carried on a single device, such as a tablet or smartphone, saving valuable space and weight. This convenience makes it possible for readers to have their entire library at their fingertips, whether they are commuting, traveling, or simply enjoying a lazy afternoon at home. Additionally, digital files are easily searchable, enabling readers to locate specific information within seconds. With a few keystrokes, users can search for keywords, topics, or phrases, making research and finding relevant information a breeze. This efficiency saves time and effort, streamlining the learning process and allowing individuals to focus on extracting the information they need. Furthermore, the availability of free PDF books and manuals fosters a culture of continuous learning. By removing financial barriers, more people can access educational resources and

pursue lifelong learning, contributing to personal growth and professional development. This democratization of knowledge promotes intellectual curiosity and empowers individuals to become lifelong learners, promoting progress and innovation in various fields. It is worth noting that while accessing free Massey Ferguson Tractors 240 Repair Manual PDF books and manuals is convenient and cost-effective, it is vital to respect copyright laws and intellectual property rights. Platforms offering free downloads often operate within legal boundaries, ensuring that the materials they provide are either in the public domain or authorized for distribution. By adhering to copyright laws, users can enjoy the benefits of free access to knowledge while supporting the authors and publishers who make these resources available. In conclusion, the availability of Massey Ferguson Tractors 240 Repair Manual free PDF books and manuals for download has revolutionized the way we access and consume knowledge. With just a few clicks, individuals can explore a vast collection of resources across different disciplines, all free of charge. This accessibility empowers individuals to become lifelong learners, contributing to personal growth, professional development, and the advancement of society as a whole. So why not unlock a world of knowledge today? Start exploring the vast sea of free PDF books and manuals waiting to be discovered right at your fingertips.

FAQs About Massey Ferguson Tractors 240 Repair Manual Books

How do I know which eBook platform is the best for me? Finding the best eBook platform depends on your reading preferences and device compatibility. Research different platforms, read user reviews, and explore their features before making a choice. Are free eBooks of good quality? Yes, many reputable platforms offer high-quality free eBooks, including classics and public domain works. However, make sure to verify the source to ensure the eBook credibility. Can I read eBooks without an eReader? Absolutely! Most eBook platforms offer web-based readers or mobile apps that allow you to read eBooks on your computer, tablet, or smartphone. How do I avoid digital eye strain while reading eBooks? To prevent digital eye strain, take regular breaks, adjust the font size and background color, and ensure proper lighting while reading eBooks. What the advantage of interactive eBooks? Interactive eBooks incorporate multimedia elements, quizzes, and activities, enhancing the reader engagement and providing a more immersive learning experience. Massey Ferguson Tractors 240 Repair Manual is one of the best book in our library for free trial. We provide copy of Massey Ferguson Tractors 240 Repair Manual in digital format, so the resources that you find are reliable. There are also many Ebooks of related with Massey Ferguson Tractors 240 Repair Manual. Where to download Massey Ferguson Tractors 240 Repair Manual online for free? Are you looking for Massey Ferguson Tractors 240 Repair Manual PDF? This is definitely going to save you time and cash in something you should think about.

Find Massey Ferguson Tractors 240 Repair Manual :

[harcourt social studies grade 5](#)

[great western war 2022](#)

[grace cleveland dahmer](#)

[gonzalez and daughter trucking co](#)

grand staircase escalante national monument hikes

[hand to god pdf](#)

[greek word for madness](#)

half blood jennifer l armentrout

guardians of ga hoole series

[half life m&m lab answers](#)

[grammar practice tests](#)

[government textbook high school pdf](#)

[guardians of ga'hoole map](#)

[gulf of corinth ancient greece map](#)

[guided reading level conversion chart](#)

Massey Ferguson Tractors 240 Repair Manual :

[learn drysuit diving padi dry suit diver specialty](#) - Jan 09 2023

web you ll practice taking your drysuit on and off determine how much weight you need and master basic drysuit skills in a pool before making two open water dives prerequisites padi junior open water diver or qualifying entry level certification

total time commitment 2 3 days minimum age 10 years or older

becoming a drysuit diver scuba diver life - Jun 02 2022

web jun 8 2016 most major training agencies such as padi and ssi offer such courses the training allows you to become accustomed to drysuit diving under the guidance of a diving professional as well as to learn about the suits themselves their valves undergarments and accessories you ll also learn basic repair and maintenance of drysuits

[get the free instructor guide duikopleidingen zeeland](#) - Mar 11 2023

web dry suit diver dry suit diver specialty course instructor guide product no 70233 rev 2 07 version 3 0 instructor guide dry suit diver padi dry suit diver specialty course instructor guide padi get the free instructor guide duikopleidingen zeeland

duikopleidingenzeeland get form show details hide details dry suit diver dry suit

dry suit diver duikopleidingen zeeland 2022 spyder adecco - Sep 05 2022

web dry suit diver duikopleidingen zeeland scuba diving feb 21 2022 an authoritative and encouraging guide scuba diving contains expert advice and step by step illustrations on how to perfect key skills how to buy and maintain equipment what the different diving options are and

dry suit diver duikopleidingen zeeland uniport edu - Feb 27 2022

web mar 27 2023 dry suit diver duikopleidingen zeeland is available in our book collection an online access to it is set as public so you can download it instantly our digital library spans in multiple countries allowing you to get the most

dry suit diver duikopleidingen zeeland copy uniport edu - Oct 06 2022

web aug 11 2023 dry suit diver duikopleidingen zeeland 1 1 downloaded from uniport edu ng on august 11 2023 by guest

dry suit diver duikopleidingen zeeland thank you entirely much for downloading dry suit diver duikopleidingen zeeland most likely you have knowledge that people have look numerous period for their favorite

dry suit diver duikopleidingen zeeland assets docseducation - Mar 31 2022

web may 23 2023 dry suit diver duikopleidingen zeeland scuba diving equipment padi duikopleidingen padi start diving discover scuba diving scuba diver droogpakduiker dry suit diver you will need to be an advanced diver or rescue diver is better with excellent buoyancy and complete courses such as dry suit specialty and ice diving

duikopleiding drysuit diver bij aquarius divingaquarius diving - Jul 15 2023

web duikopleiding drysuit diver duikschool aquarius diving verzorgt duikopleidingen rond om eindhoven en heeft veel persoonlijke aandacht voor zijn cursisten

dry suit diver duikopleidingen zeeland f1test f1experiences - Dec 28 2021

web duikopleidingen zeeland we disburse for dry suit diver duikopleidingen zeeland and multiple books compilations from fictions to scientific examinationh in any way in the course of them is this dry suit diver duikopleidingen zeeland that can be your collaborator this dry suit diver duikopleidingen zeeland as one of the

dry suit diver duikopleidingen zeeland book - May 13 2023

web dry suit diver duikopleidingen zeeland methods for the study of marine benthos may 12 2021 ecosystems of the benthic environment are a sensitive index to ecological change and as such demand long term and effective monitoring methods for the study of marine benthos provides comprehensive information on the tools and

dry suit diver the padi dry suit diver course oceandivers ie - Nov 07 2022

web scuba diving with a dry suit is useful when diving many types of dive sites a dry suit is necessary when ice diving and sometimes while altitude diving many technical divers wear dry suits on almost every dive due to the length of the time spent

underwater the longer the diver is in the water the more thermal protection is required

[dry suit diver duikopleidingen zeeland book](#) - Apr 12 2023

web dry suit diver duikopleidingen zeeland investigating recreational and commercial diving accidents feb 05 2023

occupational health and safety act and regulations 85 of 1993 full version oct 21 2021 exploration and mixed gas diving encyclopedia

[dry suit diver duikopleidingen zeeland pdf uniport edu](#) - Jul 03 2022

web jul 31 2023 dry suit diver duikopleidingen zeeland 1 1 downloaded from uniport edu ng on july 31 2023 by guest dry suit diver duikopleidingen zeeland recognizing the pretension ways to get this books dry suit diver duikopleidingen zeeland is additionally useful you have remained in right site to begin getting this info get the dry suit diver

[dry suit diver duikopleidingen zeeland uniport edu](#) - Jan 29 2022

web aug 3 2023 dry suit diver duikopleidingen zeeland 1 1 downloaded from uniport edu ng on august 3 2023 by guest dry suit diver duikopleidingen zeeland right here we have countless book dry suit diver duikopleidingen zeeland and collections to check out we additionally have the funds for variant types and plus type of the books to browse

[dry suit diver duikopleidingen zeeland pdf free voto uneal edu](#) - May 01 2022

web dry suit diver duikopleidingen zeeland pdf upload herison r paterson 1 2 downloaded from voto uneal edu br on august 26 2023 by herison r paterson dry suit diver duikopleidingen zeeland pdf maybe you have knowledge that people have search hundreds times for their favorite novels like this dry suit diver duikopleidingen zeeland

[dry suit diver duikopleidingen zeeland book](#) - Feb 10 2023

web dry suit diver duikopleidingen zeeland scuba diving nov 27 2020 superanno packed with full color photographs and illustrations scuba diving offers step by step instruction on preparing for and managing a dive safely with information on the latest equipment gear selection recommended dive locations technologies and techniques

[dry suit diver duikopleidingen zeeland book](#) - Dec 08 2022

web diving related health conditions the new 4th edition has been completely revised and updated while still retaining its practical clinical orientation it covers basic diving physiology the pathophysiology of decompression sickness assessment of physical fitness for diving diagnosis and treatment of diving related disorders and much more

[padi droogpak specialty dry suit diver sealand diving](#) - Aug 16 2023

web team sealand diving contact padi duikopleidingen introductie programma s introductieduik grevelingen experience snorkel cursus duikbrevet opfriscursus leren duiken padi openwater cursus padi open water diver duikbrevet halen padi referral open water vakantie cursus vervolg cursussen padi advanced open water diver

[dry suit diver duikopleidingen zeeland pdf uniport edu](#) - Jun 14 2023

web dry suit diver duikopleidingen zeeland 1 4 downloaded from uniport edu ng on august 28 2023 by guest dry suit diver duikopleidingen zeeland this is likewise one of the factors by obtaining the soft documents of this dry suit diver duikopleidingen zeeland by online you might not require more become old to spend to go to the *dry suit diver duikopleidingen zeeland pdf copy red ortax* - Aug 04 2022

web dry suit diver duikopleidingen zeeland pdf upload herison a paterson 2 4 downloaded from red ortax org on september 4 2023 by herison a paterson either with the noaa diving manual or the u s navy diving manual the 6th edition has been written as a stand alone work that covers history physics physiology diving medicine and first aid in

the sage handbook of leadership lancaster university - Sep 28 2022

web the sage handbook of leadership sage handbooks bryman alan collinson david l grint keith jackson brad uhl bien mary amazon co uk books business finance

the sage handbook of leadership bryman alan - Jul 27 2022

web mar 14 2011 it evaluates the domain and stretches it further by considering leadership scholarship from every angle concluding with an optimistic look at the future of leaders

sage handbook of leadership - Mar 23 2022

web the sage handbook of leadership 1st edition is written by alan bryman david collinson keith grint brad jackson mary uhl bien and published by sage publications

the sage handbook of leadership 1st edition vitalsource - Jan 21 2022

web feb 17 2011 the sage handbook of leadership by alan bryman reviews trustpilot 109 49 condition new out of stock new summary a one stop reference on the state

the sage handbook of leadership icdst - Jun 06 2023

web the sage handbook of leadership author alan bryman david collinson keith grint brad jackson mary uhl bien publisher sage uk

the sage handbook of leadership worldcat org - Feb 02 2023

web the sage handbook of leadership alan bryman editor david l collinson editor keith grint editor more 3 00 1 rating0 reviews leadership pervades every aspect of

gale ebooks the sage handbook of leadership - May 05 2023

web isbn price contents part one overview perspectives keith grint a history of leadership alan bryman research methods in the study of leadership georgia

the sage handbook of leadership by alan bryman new wob - Dec 20 2021

web purchase online the pdf of the sage handbook of leadership bryman alan grint keith collinson david l sage e book

the sage handbook of leadership google books - Oct 10 2023

web the sage handbook of leadership alan bryman david collinson keith grint brad jackson mary uhl bien sage feb 17 2011
business economics 592 pages

[the sage handbook of leadership sage handbooks bryman](#) - Aug 28 2022

web with contributions from those who have defined that territory this volume is not only a key point of reference for researchers students and practitioners but also an agenda setting

the sage handbook of leadership 1st edition vitalsource - Feb 19 2022

web the sage handbook of leadership 1st edition is written by alan bryman david collinson keith grint brad jackson mary uhl bien and published by sage publications

the sage handbook of leadership worldcat org - Mar 03 2023

web the sage handbook of leadership author alan bryman summary leadership pervades every aspect of organizational and social life and its study has never been more diverse

sage handbook of leadership semantic scholar - Nov 30 2022

web feb 17 2011 the sage handbook of leadership ebook by alan bryman read a sample sign up to save your library isbn 9781848601468 author alan bryman

the sage handbook of leadership bryman alan torrossa - Nov 18 2021

the sage handbook of leadership sage publications ltd - Aug 08 2023

web suitable for students and researchers alike this second edition is a critical site of reference for the study of leadership part 1 between leadership as a social socio cognitive

the sage handbook of organization studies second edition - May 25 2022

web mar 14 2011 research methods in the study of leadership alan bryman the enduring and elusive quest for a general theory of leadership initial efforts and new horizons

the sage handbook of leadership sage handbooks - Sep 09 2023

web mar 14 2011 the sage handbook of leadership the sage handbooks 166 66 only 3 left in stock more on the way leadership pervades every aspect of organizational

[the sage handbook of leadership by alan bryman overdrive](#) - Oct 30 2022

web t1 the sage handbook of leadership au bryman a au collinson d l au grint k au jackson b au uhl bien m py 2011 y1 2011 m3 book sn

the sage handbook of leadership by alan bryman goodreads - Jan 01 2023

web feb 17 2011 informed by collinson d l 2011 in the sage handbook of leadership the last twenty five years have witnessed an explosion in the field of leadership

[the sage handbook of leadership edition 1 by alan bryman](#) - Apr 23 2022

web reference editors bryman a collinson d grint k jackson b uhl bien m sage publications ltd london 2010

the sage handbook of leadership hardcover march 14 2011 - Jun 25 2022

web the sage handbook of organization studies second edition leadership in organizations ken w parry alan bryman leadership has long been a major

the sage handbook of leadership sage publications ltd - Apr 04 2023

web the sage handbook of leadership author alan bryman editor summary leadership pervades every aspect of organizational and social life and its study has

[pdf the sage handbook of leadership](#) - Jul 07 2023

web the sage handbook of leadership edited by alan bryman david collinson keith grint brad jackson and mary uhl bien leadership pervades every aspect of organizational

[inter maths 1a all chapters important problems important](#) - Jan 28 2022

web jun 11 2023 ts inter 1st year mathematics model paper 2023 is released by telangana state board of intermediate education so you can now download telangana

[intermediate 1st year mathematics ia model paper 2](#) - Oct 25 2021

intermediate 1st year mathematics ia model paper 1 - Jul 02 2022

web ap intermediate mathematics model paper 2024 pdf download for boi ipe jr sr inter 1a 1b 2a 2b to paper 1 and paper 2 model paper for telugu medium english

ts inter mathematics i a model papers sakshi education - Aug 15 2023

web intermediate 1st year mathematics ia model paper 2 intermediate 1st year mathematics ia model paper 1 ts ap jr inter mathematics model paper em 2019

[ap intermediate 1st year mathematics 1a previous question papers](#) - Dec 27 2021

web jul 17 2021 intermediate 1st year mathematics ia model paper 1 intermediate 1st year mathematics ia model paper 2 ts ap jr inter mathematics model paper em

[ts inter 1st year maths model papers 2023 download for 1a](#) - Mar 10 2023

web ts inter 1st year maths 1a 1b model question paper 2023 download here we have uploaded the subject wise ts inter 1st year old question papers along with the

ap inter first year maths ia model question paper 2023 - Mar 30 2022

web inter maths 1a all chapters important problems important formulas and model papers link youtube com playlist list plrc0t6gvszgpiddgqp2ddfakcbf7p4cm2r

ts inter 1st year model papers sakshi education - Feb 26 2022

web dec 4 2021 ap intermediate 1st year previous question papers will help you to understand the pattern of the final examinations in a better way you will get to know the

ap inter 1st 2nd year maths question papers 2023 download - Feb 09 2023

web ap inter 1st 2nd year previous papers for ap inter exam 2023 ap 1st 2nd inter maths 1a 1b 2a 2b model paper 2023 pdf download these ap inter model

eenadupratibha model papers □□ □ □ □□ □ - Apr 11 2023

web sep 13 2023 jr inter economics govt model paper 2022 jr inter commerce govt model paper 2022 jr inter zoology 2021 jr inter physics 2021 jr inter maths 1b

ts inter 1st year mathematics 1a model paper - Jan 08 2023

web ap inter 1st year maths 1a model papers candidates who are appearing for the ap inter 1st year regular supply improvement betterment exam have started their exam

ap inter 1st year maths 1a question papers 2023 download - Oct 05 2022

web mar 22 2023 ap intermediate inter 1st 2nd year maths 1a 1b 2a 2b model papers in order to get detailed examination schedule detailed syllabus detailed examination

inter maths 1a model paper 1 with solutions youtube - Sep 04 2022

web jul 17 2021 ts inter mathematics i a model papers intermediate 1st year mathematics ia model paper 1 sakshi education published date 17 jul 2021

inter 1st 2nd year maths question papers 2023 pdf for ap ts - Aug 03 2022

web the ap ts intermediate mathematics 1a model paper download available with suggested study material from the state subject experts published by aimstutorial

ts inter 1st year mathematics model paper 2023 pdf - Nov 25 2021

web jul 9 2021 ap inter 2022 hall tickets released check previous papers here ap inter 2022 exams time table released check dates and study material digital evaluation

intermediate maths 1a model paper 1 max marks 75 scribd - May 12 2023

web jr intermediate maths 1a model paper 1 max marks 75 section a very short answer questions answer all questions each question carries two marks 10x2 20m x 1 find

maths 1a ts inter 1st year model papers 2023 - Nov 06 2022

web inter maths 1a model paper 1 with solutions

intermediate 1st year mathematics ib model paper 1 - Sep 23 2021

intermediate 1st year mathematics ia model paper 1 - Jul 14 2023

web jul 11 2021 intermediate 1st year mathematics ia model paper 1 sakshi education home ap inter 1st year model papers mathematics i a

ap intermediate model paper 2024 for maths ap 1st 2nd inter - Apr 30 2022

web intermediate 1st year zoology model paper 3 intermediate 1st year zoology model paper 2 intermediate 1st year zoology model paper 1 intermediate 1st year

mathematics 1a model paper aimstutorial - Jun 01 2022

web mar 17 2023 disha assawa updated on march 17 2023 04 09 pm ist ap inter mathematics exam for first year will be organized on 20th march and students must

ap inter 1st year maths question paper 2023 1a 1b pdf - Dec 07 2022

web nov 27 2022 board of intermediate education andhra pradesh bieap has released the ap intermediate time table 2023 for 1st year on its official website bie ap gov in ap

ap inter 1st year maths 1a model question papers 2023 pdf - Jun 13 2023

web mar 18 2023 ap junior intermediate maths 1a model papers 2023 em tm pdf our team at schools360 in gathered sample practice papers for from various sources so