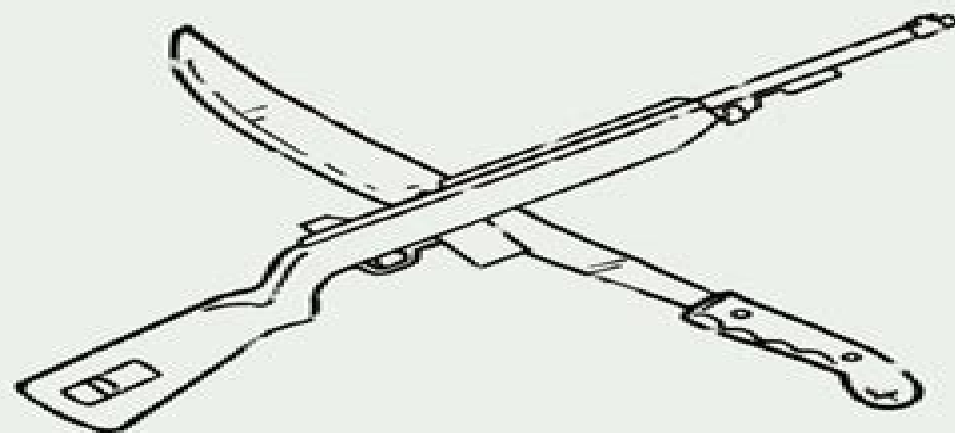


THE  
**ZOMBIE**  
SURVIVAL GUIDE

COMPLETE PROTECTION  
FROM THE LIVING DEAD



**MAX BROOKS**

# **Max Brooks Zombie Survival Guide**

**Roman Wölfel**



# Max Brooks Zombie Survival Guide

*i have nothing wikipedia* - Jan 14 2023

web i have nothing is a song by american singer and actress whitney houston released on february 20 1993 as the third single from the bodyguard original soundtrack album 1992 by arista records the song was written by david foster and linda thompson and produced by foster

[whitney houston i have nothing official hd video youtube music](#) - Oct 11 2022

web official hd video for i have nothing by whitney houston listen to whitney houston whitneyhouston lnk to listenyd watch more whitney houston videos

**whitney houston i have nothing Şarkı Çevirisi alternatifim** - May 18 2023

web apr 27 2007 uzağıma gitme no don t walk away from me don t you dare walk away from me hayır uzağıma gitme gitmeye cüret etme i have nothing nothing nothing hiçbirşeyim yok hiçbirşeyim if i don t have you you you you if i

[whitney houston i have nothing Şarkı Çevirisi](#) - Nov 12 2022

web i have nothing nothing nothing hiçbirşeyim yok hiçbirşeyim if i don t have you you you you if i don t have you oh oo eğer sen yoksan you see through görüyorsun right to the heart of me dosdoğru kalbimi you break down my walls duvarlarımı yıktın with the strength of your love gücüyle aşkının i never

**whitney houston i have nothing lyrics lyrics com** - Aug 09 2022

web don t you dare walk away from me i have nothing nothing nothing if i don t have you you you you you if i don t have you oh oo you see through right to the heart of me you break down my walls with the strength of your love i never knew love like i ve known it with you will a memory survive one i can

[whitney houston i have nothing lyrics azlyrics com](#) - Feb 15 2023

web i have nothing nothing nothing if i don t have you you you you you you see through right to the heart of me you break down my walls with the strength of your love mm i never knew love like i ve known it with you will a memory survive one i can hold on to i don t really need to look very much further

**whitney houston i have nothing İngilizce Şarkı sözleri ve türkçe** - Jun 19 2023

web oct 21 2021 i have nothing nothing nothing hiçbir şeyim yok hiçbir şeyim yok hiçbir şeyim yok if i don t have you you you you eğer sen yoksan sen sen sen sen you see through right to the heart of me Çünkü sen benim için yaratılmışsın you break down my walls with the strength of your love mm

[whitney houston i have nothing şarkı sözleri tr lyrics translate](#) - Sep 10 2022

web i don t wanna hurt anymore stay in my arms if you dare or must i imagine you there don t walk away from me i have nothing nothing nothing if i don t have you you you you you you see through right to the heart of me

**whitney houston i have nothing şarkı sözleri türkçe çevirisi** - Mar 16 2023

web jun 22 2014 whitney houston whitney elizabeth houston sanatçısının i have nothing şarkısının İngilizce dilinden türkçe diline çevirisi deutsch english español français hungarian italiano nederlands polski portugûês brasil română svenska türkçe Ελληνικά Български Русский Српски Українська

*whitney houston i have nothing lyrics youtube* - Apr 05 2022

web nov 12 2008 i love this song

**whitney houston i have nothing live from brunei 1996** - Apr 17 2023

web nov 9 2017 lyrics but don t make me close one more door i don t wanna hurt anymore stay in my arms if you dare or must i imagine you there don t walk away from me i have nothing nothing nothing if i

**i have nothing whitney houston letras mus br** - Feb 03 2022

web aprenda inglês com i have nothing share my life take me for what i am cause i ll never change all my colors for you take my love i ll never ask for too much just all that you are and everything that you do i don t really need to look very much further i don t wanna have to go where you don t follow

**i have nothing whitney houston official site** - Mar 04 2022

web feb 20 1993 stay in my arms if you dare or must i imagine you there don t walk away from me i have nothing nothing nothing if i don t have you you you you you you see through right to the heart of me you break down my walls with the strength of your love

**i have nothing wikipe di** - Dec 13 2022

web Şarkı hakkında 1989 da bestelenen şarkı whitney houston ın 1992 soundtrack albümü the bodyguard da yer almıştır Şubat 1993 te albümün 3 şarkısı olarak yayınlanan i have nothing önceki single i m every woman gibi 4 numaraya ulaşmıştır Şarkının yayınlandığı sıralarda albümün ilk şarkısı i will always

*whitney houston i have nothing lyrics genius lyrics* - Jul 08 2022

web nov 17 1992 i have nothing lyrics share my life take me for what i am cause i ll never change all my colors for you take my love i ll never ask for too much just all that you are and everything

*ariana grande i have nothing live at the white house* - Jun 07 2022

web apr 8 2015 ariana grande i have nothing live at the white house youtube 0 00 5 50

**whitney houston i have nothing official hd video youtube** - Aug 21 2023

web nov 14 2009 3 7m 767m views 13 years ago whitneyhouston ihavenothing officialhdvideo official hd video for i have

nothing by whitney houston listen to whitney houston whitneyhouston lnk to  
*whitney houston i have nothing lyrics youtube* - Jul 20 2023

web jan 10 2021 72k 9 7m views 2 years ago thebodyguard soulmusic whitneyhouston whitney houston i have nothing lyrics  
lyrics video for i have nothing by whitney houston more more

**i have nothing song and lyrics by whitney houston spotify** - May 06 2022

web listen to i have nothing on spotify whitney houston song 1992 whitney houston song 1992 listen to i have nothing on  
spotify whitney houston song 1992 sign up log in home search your library create your first playlist it s easy we ll help you  
*i have nothing youtube* - Jan 02 2022

web feb 18 2016 provided to youtube by aristai have nothing whitney houstonthe bodyguard original soundtrack album  
1992 arista records llreleased on 1992 11 17arrange

*turkish edition of twenty thousand leagues under the sea* - May 12 2023

web deniz altında 20000 fersah seyahat is the translation into ottoman turkish of jules verne s science fiction adventure  
classic originally published in french as vingt mille lieues sous les mers twenty thousand leagues under the sea the same  
volume contains the author s sequel which appears here as gizli ada originally called l île mystérieuse the

[thisismyipodstorecom twenty thousand leagues under the sea annotated](#) - Mar 30 2022

web feb 20 2023 right here we have countless ebook thisismyipodstorecom twenty thousand leagues under the sea  
annotated and collections to check out we additionally allow variant types and along with type of the books to browse

**twenty thousand leagues under the sea goodreads** - Dec 07 2022

web lesley thompson adapter fausto bianchi illustrator jules verne 3 70 23 ratings5 reviews dominoes are perfect for reading  
practice and language skills development in class or during individual study when ship after ship goes down in the atlantic dr  
pierre aronnax and his servant conseil journey from paris to learn more

[twenty thousand leagues under the sea podcast episode 2022 imdb](#) - Nov 06 2022

web twenty thousand leagues under the sea podcast episode 2022 quotes on imdb memorable quotes and exchanges from  
movies tv series and more

*thisismyipodstorecom twenty thousand leagues under the sea annotated* - Jul 02 2022

web feb 20 2023 thisismyipodstorecom twenty thousand leagues under the sea annotated 1 1 downloaded from uniport edu  
ng on february 20 2023 by guest thisismyipodstorecom twenty thousand leagues under the sea annotated eventually you will  
completely discover a further experience and exploit by spending

**twenty thousand leagues under the seas wikipedia** - Mar 10 2023

web principal characters professor pierre aronnax the narrator of the story a french natural scientist conseil aronnax s

flemish servant very devoted to him and knowledgeable in biological classification ned land a canadian harpooner described as having no equal in his dangerous trade 8

[twenty thousand leagues under the sea annotated](#) - Jul 14 2023

web twenty thousand leagues under the sea annotated wordsworth classics verne jules amazon com tr

**free thisismyipodstorecom twenty thousand leagues under the sea annotated** - Sep 04 2022

web twenty thousand leagues under the sea annotated jun 10 2020 professor aronnax his faithful servant conseil and the canadian harpooner ned land begin an extremely hazardous voyage to rid the seas of a little known and terrifying sea monster

[thisismyipodstorecom twenty thousand leagues under the sea annotated](#) - Aug 03 2022

web introduction thisismyipodstorecom twenty thousand leagues under the sea annotated pdf pdf

[twenty thousand leagues under the sea litcharts](#) - Feb 09 2023

web get everything you need to know about style in twenty thousand leagues under the sea analysis related characters quotes themes and symbols

[thisismyipodstorecom twenty thousand leagues under the sea annotated](#) - Dec 27 2021

web title thisismyipodstorecom twenty thousand leagues under the sea annotated pdf pdf dsm diabetesselfmanagement com created date 8 31 2023 10 39 10 am

*thisismyipodstorecom twenty thousand leagues under the sea annotated* - Aug 15 2023

web leagues under the sea annotated 20 000 leagues under the sea jules verne doveco de 20 000 leagues under the seas active toc illustrated download ebook for twenty thousand

**20 000 leagues under the sea analysis enotes com** - Jun 13 2023

web sep 11 2023 chapter 8 of this critical biography deals with twenty thousand leagues under the sea miller walter james the annotated jules verne twenty thousand leagues under the sea new york crowell 1976

**the annotated jules verne twenty thousand leagues under the sea** - Apr 11 2023

web jan 1 1976 the annotated jules verne twenty thousand leagues under the sea hardcover january 1 1976 by jules verne author walter james miller collaborator 5 0 4 ratings see all formats and editions

**thisismyipodstorecom twenty thousand leagues under the sea annotated** - Jun 01 2022

web m twenty thousand leagues under the sea annotated eight hundred leagues on the amazon eight hundred leagues on the amazon around the world in eighty days eight hundred leagues on the amazon thisismyipodstorecom twenty thousand leagues under the sea annotated downloaded from old talentsprint com by guest sutton

**twenty thousand leagues under the sea britannica** - Jan 08 2023

web twenty thousand leagues under the sea novel by jules verne first published in french as vingt mille lieues sous les mers in 1869 70 it is perhaps the most popular book of his science fiction series voyages extraordinaires 1863 1910

[thisismyipodstorecom twenty thousand leagues under the sea annotated](#) - Oct 05 2022

web thisismyipodstorecom twenty thousand leagues under the sea annotated 2022 customizer monos com author estrella maren created date 8 20 2023 10 52 02 am

**thisismyipodstorecom twenty thousand leagues under the sea annotated** - Apr 30 2022

web april 20th 2018 twenty thousand leagues under the sea 20 000 leagues on line novel 20 000 leagues chapter assignments chapters 7 and 8 twenty thousand leagues under the sea annotated with may 1st 2018 twenty thousand leagues under the sea annotated with biography of verne and plot

**thisismyipodstorecom twenty thousand leagues under the sea annotated** - Feb 26 2022

web thisismyipodstorecom twenty thousand leagues under the sea annotated pdf is comprehensible in our digital library an online right of entry to it is set as public so you can download it instantly our digital library saves in merged countries allowing you to acquire the most less latency times to

[thisismyipodstorecom twenty thousand leagues under the sea annotated](#) - Jan 28 2022

web 20 000 leagues under the sea annotated has 155 933 ratings and 4 925 reviews hannah said pierre aronnax assistant professor in the museum of natural sea annotated twenty thousand leagues under the sea twenty thousand leagues under the sea twenty thousand leagues under the seas the adventures of david

[mitsubishi wire edm](#) - Aug 01 2023

web 23 machine installation 24 product line up fa s advance series high performance edm setting global standards for high machining and cost performance fa10s advance

**melsec f series manual download mitsubishi electric fa** - Nov 23 2022

web user s manual this manual confers no industrial property rights or any rights of any other kind nor does it confer any patent licenses mitsubishi electric corporation cannot

**mitsubishi edm fa 20s advance tel erozyon** - Oct 23 2022

web this manual describes operating procedures to program and monitor the melsec fx series programmable controllers hereafter referred to as plc using the fx 20p e

**mitsubishi fa 20 edm manual graph safehousetech** - Dec 13 2021

*used mitsubishi fa20 edm machine for sale machinio* - May 18 2022

web filter 3 5µm 340 x 450 mm 3 4 plastic on request corresponds h34 2090 kit art nr 4011690 mhk charmilles charmilles

cut 1250 charmilles cut 20 charmilles cut 200

[mitsubishi edm fa20 wire edm machinetools com](#) - Aug 21 2022

web hardware programming manual manual number jy992d60401b manual revision b date sep 1998 foreword this manual contains text diagrams and explanations which will

**mitsubishi wire edm parts** - Feb 12 2022

**mitsubishi electric fa20s erosion machine gindumac** - Mar 16 2022

web mitsubishi daf 20 daf20 daf 20 da f20 da f20 if you have any question about repairing write your question to the message board for this no need registration if the

**edm machining mitsubishi fa20s issues practical machinist** - Sep 21 2022

web 2003 mitsubishi fa20m cnc wire type edm electrical discharge machine used manufacturer mitsubishi model fa20

mitsubishi fa20m cnc wire type edm

[fx 20p e handy programming panel operation](#) - Jun 18 2022

web diamond wire guide for fa series m219 4mm lower water nozzle for mitsubishi mv dbq3000 x052b533g51 pipe end fa20s advance x085c130g51 m311

*ser ies mitsubishi electric global website* - Jan 26 2023

web feb 27 2019 the newer models are improved a bit but the fa s series we use seems to have this issue and noone has a solution that i know of if someone knows how to deal

*mitsubishi fa 20 eroding accessories edm tec ohg* - Jan 14 2022

**nc edm systems wire cut edm systems mitsubishi** - Apr 28 2023

web ultrahigh accuracy wire cut edm full cabin ae power supply 64 bit cnc world s fastest v500 power supply super fine finishing power supply digital fs digital ae power

[electrical discharge machines products](#) - Jun 30 2023

web mitsubishi electric corporation nagoya works is a factory certified for iso14001 standards for environmental management systems and iso9001 standards for quality assurance

[fx 10gm fx e 20gm hardware programming manual](#) - Apr 16 2022

web mitsubishi fa 20 edm manual 1 mitsubishi fa 20 edm manual absolute machine tools inc mason technical center plant tour comprehensive capabilities a recipe for

[advance series mitsubishi nc edm](#) - Feb 24 2023



web edm makinaları tel erozyon mitsubishi edm fa 20s advance bu tip fazla model gör bu brand daha modellere bakın  
mitsubishi edm fa 20s advance model fa

**manual download mitsubishi electric fa** - Oct 03 2023

web download manuals mitsubishi electric fa site introduces manual information

*technical downloads mitsubishi electric edm* - Sep 02 2023

web technical downloads here you will find an overview of our transport drawings and layouts you can download them as pdf  
quickselect welcome to our quick navigation here you

**mitsubishi electric fa wire cut electrical** - Dec 25 2022

web edm wire 3 photos video year 2002 request a quote added to request list request submitted 10 19 23 united states

**mitsubishi da f20 service manual download schematics** - Nov 11 2021

*download mitsubishi electric factory automation* - May 30 2023

web mitsubishi electric corporation nagoya works is a factory certified for iso14001 standards for mitsubishi nc edm ea  
advance series nc edm systems 1972

**all mitsubishi edm catalogs and technical brochures** - Mar 28 2023

web 267 rows multilingual 2023 08 0 50mb mitsubishi electric fa site introduces information in latest information product  
information technological material and the

**user s manual mitsubishi electric global website** - Jul 20 2022

web brand mitsubishi electric year 2012 model fa20s production hours 10950 application type edm location china machine  
type erosion machine availability

## **Max Brooks Zombie Survival Guide** Book Review: Unveiling the Magic of Language

In an electronic era where connections and knowledge reign supreme, the enchanting power of language has become much more apparent than ever. Its power to stir emotions, provoke thought, and instigate transformation is truly remarkable. This extraordinary book, aptly titled "**Max Brooks Zombie Survival Guide**," compiled by a very acclaimed author, immerses readers in a captivating exploration of the significance of language and its profound effect on our existence. Throughout this critique, we shall delve into the book's central themes, evaluate its unique writing style, and assess its overall influence on its readership.

[https://offsite.creighton.edu/files/virtual-library/Documents/mitsubishi\\_lancer\\_1978.pdf](https://offsite.creighton.edu/files/virtual-library/Documents/mitsubishi_lancer_1978.pdf)

[https://offsite.creighton.edu/files/virtual-library/Documents/meis\\_japanese\\_express.pdf](https://offsite.creighton.edu/files/virtual-library/Documents/meis_japanese_express.pdf)

[https://offsite.creighton.edu/files/virtual-library/Documents/milady\\_practical\\_workbook\\_answers.pdf](https://offsite.creighton.edu/files/virtual-library/Documents/milady_practical_workbook_answers.pdf)

### **Table of Contents Max Brooks Zombie Survival Guide**

1. Understanding the eBook Max Brooks Zombie Survival Guide
  - The Rise of Digital Reading Max Brooks Zombie Survival Guide
  - Advantages of eBooks Over Traditional Books
2. Identifying Max Brooks Zombie Survival Guide
  - Exploring Different Genres
  - Considering Fiction vs. Non-Fiction
  - Determining Your Reading Goals
3. Choosing the Right eBook Platform
  - Popular eBook Platforms

- Features to Look for in an Max Brooks Zombie Survival Guide
- User-Friendly Interface
- 4. Exploring eBook Recommendations from Max Brooks Zombie Survival Guide
  - Personalized Recommendations
  - Max Brooks Zombie Survival Guide User Reviews and Ratings
  - Max Brooks Zombie Survival Guide and Bestseller Lists
- 5. Accessing Max Brooks Zombie Survival Guide Free and Paid eBooks
  - Max Brooks Zombie Survival Guide Public Domain eBooks
  - Max Brooks Zombie Survival Guide eBook Subscription Services
  - Max Brooks Zombie Survival Guide Budget-Friendly Options
- 6. Navigating Max Brooks Zombie Survival Guide eBook Formats
  - ePub, PDF, MOBI, and More
  - Max Brooks Zombie Survival Guide Compatibility with Devices
  - Max Brooks Zombie Survival Guide Enhanced eBook Features
- 7. Enhancing Your Reading Experience
  - Adjustable Fonts and Text Sizes of Max Brooks Zombie Survival Guide
  - Highlighting and Note-Taking Max Brooks Zombie Survival Guide
  - Interactive Elements Max Brooks Zombie Survival Guide
- 8. Staying Engaged with Max Brooks Zombie Survival Guide
  - Joining Online Reading Communities
  - Participating in Virtual Book Clubs
  - Following Authors and Publishers Max Brooks Zombie Survival Guide
- 9. Balancing eBooks and Physical Books Max Brooks Zombie Survival Guide
  - Benefits of a Digital Library
  - Creating a Diverse Reading Collection Max Brooks Zombie Survival Guide
- 10. Overcoming Reading Challenges
  - Dealing with Digital Eye Strain
  - Minimizing Distractions
  - Managing Screen Time
- 11. Cultivating a Reading Routine Max Brooks Zombie Survival Guide

- Setting Reading Goals Max Brooks Zombie Survival Guide
- Carving Out Dedicated Reading Time
- 12. Sourcing Reliable Information of Max Brooks Zombie Survival Guide
  - Fact-Checking eBook Content of Max Brooks Zombie Survival Guide
  - Distinguishing Credible Sources
- 13. Promoting Lifelong Learning
  - Utilizing eBooks for Skill Development
  - Exploring Educational eBooks
- 14. Embracing eBook Trends
  - Integration of Multimedia Elements
  - Interactive and Gamified eBooks

### **Max Brooks Zombie Survival Guide Introduction**

Max Brooks Zombie Survival Guide Offers over 60,000 free eBooks, including many classics that are in the public domain. Open Library: Provides access to over 1 million free eBooks, including classic literature and contemporary works. Max Brooks Zombie Survival Guide Offers a vast collection of books, some of which are available for free as PDF downloads, particularly older books in the public domain. Max Brooks Zombie Survival Guide : This website hosts a vast collection of scientific articles, books, and textbooks. While it operates in a legal gray area due to copyright issues, its a popular resource for finding various publications. Internet Archive for Max Brooks Zombie Survival Guide : Has an extensive collection of digital content, including books, articles, videos, and more. It has a massive library of free downloadable books. Free-eBooks Max Brooks Zombie Survival Guide Offers a diverse range of free eBooks across various genres. Max Brooks Zombie Survival Guide Focuses mainly on educational books, textbooks, and business books. It offers free PDF downloads for educational purposes. Max Brooks Zombie Survival Guide Provides a large selection of free eBooks in different genres, which are available for download in various formats, including PDF. Finding specific Max Brooks Zombie Survival Guide, especially related to Max Brooks Zombie Survival Guide, might be challenging as theyre often artistic creations rather than practical blueprints. However, you can explore the following steps to search for or create your own Online Searches: Look for websites, forums, or blogs dedicated to Max Brooks Zombie Survival Guide, Sometimes enthusiasts share their designs or concepts in PDF format. Books and Magazines Some Max Brooks Zombie Survival Guide books or magazines might include. Look for these in online stores or libraries. Remember that while Max Brooks Zombie Survival Guide, sharing copyrighted material without permission is not legal. Always ensure youre either creating your own or obtaining them from legitimate

sources that allow sharing and downloading. Library Check if your local library offers eBook lending services. Many libraries have digital catalogs where you can borrow Max Brooks Zombie Survival Guide eBooks for free, including popular titles. Online Retailers: Websites like Amazon, Google Books, or Apple Books often sell eBooks. Sometimes, authors or publishers offer promotions or free periods for certain books. Authors Website Occasionally, authors provide excerpts or short stories for free on their websites. While this might not be the Max Brooks Zombie Survival Guide full book, it can give you a taste of the authors writing style. Subscription Services Platforms like Kindle Unlimited or Scribd offer subscription-based access to a wide range of Max Brooks Zombie Survival Guide eBooks, including some popular titles.

### FAQs About Max Brooks Zombie Survival Guide Books

1. Where can I buy Max Brooks Zombie Survival Guide books? Bookstores: Physical bookstores like Barnes & Noble, Waterstones, and independent local stores. Online Retailers: Amazon, Book Depository, and various online bookstores offer a wide range of books in physical and digital formats.
2. What are the different book formats available? Hardcover: Sturdy and durable, usually more expensive. Paperback: Cheaper, lighter, and more portable than hardcovers. E-books: Digital books available for e-readers like Kindle or software like Apple Books, Kindle, and Google Play Books.
3. How do I choose a Max Brooks Zombie Survival Guide book to read? Genres: Consider the genre you enjoy (fiction, non-fiction, mystery, sci-fi, etc.). Recommendations: Ask friends, join book clubs, or explore online reviews and recommendations. Author: If you like a particular author, you might enjoy more of their work.
4. How do I take care of Max Brooks Zombie Survival Guide books? Storage: Keep them away from direct sunlight and in a dry environment. Handling: Avoid folding pages, use bookmarks, and handle them with clean hands. Cleaning: Gently dust the covers and pages occasionally.
5. Can I borrow books without buying them? Public Libraries: Local libraries offer a wide range of books for borrowing. Book Swaps: Community book exchanges or online platforms where people exchange books.
6. How can I track my reading progress or manage my book collection? Book Tracking Apps: Goodreads, LibraryThing, and Book Catalogue are popular apps for tracking your reading progress and managing book collections. Spreadsheets: You can create your own spreadsheet to track books read, ratings, and other details.
7. What are Max Brooks Zombie Survival Guide audiobooks, and where can I find them? Audiobooks: Audio recordings of books, perfect for listening while commuting or multitasking. Platforms: Audible, LibriVox, and Google Play Books offer

- a wide selection of audiobooks.
8. How do I support authors or the book industry? Buy Books: Purchase books from authors or independent bookstores. Reviews: Leave reviews on platforms like Goodreads or Amazon. Promotion: Share your favorite books on social media or recommend them to friends.
  9. Are there book clubs or reading communities I can join? Local Clubs: Check for local book clubs in libraries or community centers. Online Communities: Platforms like Goodreads have virtual book clubs and discussion groups.
  10. Can I read Max Brooks Zombie Survival Guide books for free? Public Domain Books: Many classic books are available for free as they're in the public domain. Free E-books: Some websites offer free e-books legally, like Project Gutenberg or Open Library.

### Find Max Brooks Zombie Survival Guide :

[mitsubishi lancer 1978](#)

[mei's japanese express](#)

[milady practical workbook answers](#)

[michael buble lyrics everything](#)

**metallurgy lab near me**

**m la citation worksheet**

**microeconomics midterm quizlet**

[mens vest pattern](#)

[members of two or more populations can no longer interbreed](#)

[mental models book](#)

**microsoft project manual pdf**

[michael and gina spehn 2022](#)

[metric system notes](#)

[michael lewis break in](#)

**mercier and sons deli**

### Max Brooks Zombie Survival Guide :