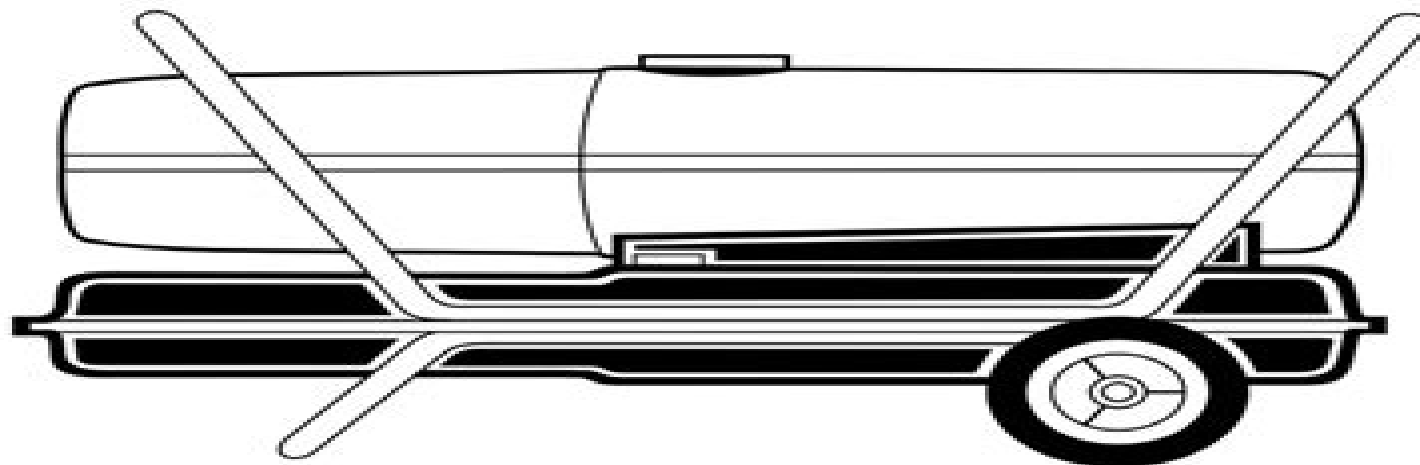


REDDY Heater®

PORTABLE FORCED AIR HEATER

OWNER'S MANUAL



Model RV125EDI

IMPORTANT

Read and understand this manual before assembling, starting or servicing heater. Improper use of heater can cause serious injury. Keep this manual for future reference.

Reddy Heater Service Manual

Chrysler Corporation



Reddy Heater Service Manual

Right here, we have countless ebook **Reddy Heater Service Manual** and collections to check out. We additionally meet the expense of variant types and plus type of the books to browse. The enjoyable book, fiction, history, novel, scientific research, as without difficulty as various supplementary sorts of books are readily understandable here.

As this Reddy Heater Service Manual, it ends in the works swine one of the favored books Reddy Heater Service Manual collections that we have. This is why you remain in the best website to see the amazing books to have.

<https://offsite.creighton.edu/About/uploaded-files/Documents/how%20did%20deng%20xiaopings%20economic%20policies%20change%20chinese%20culture.pdf>

https://offsite.creighton.edu/About/uploaded-files/Documents/how_a_bill_becomes_a_law_flowchart_answers.pdf

<https://offsite.creighton.edu/About/uploaded-files/Documents/How%20Long%20Is%20Finding%20Nemo%20At%20Animal%20Kingdom.pdf>

Table of Contents Reddy Heater Service Manual

1. Understanding the eBook Reddy Heater Service Manual
 - The Rise of Digital Reading Reddy Heater Service Manual
 - Advantages of eBooks Over Traditional Books
2. Identifying Reddy Heater Service Manual
 - Exploring Different Genres
 - Considering Fiction vs. Non-Fiction
 - Determining Your Reading Goals
3. Choosing the Right eBook Platform
 - Popular eBook Platforms
 - Features to Look for in an Reddy Heater Service Manual
 - User-Friendly Interface
4. Exploring eBook Recommendations from Reddy Heater Service Manual
 - Personalized Recommendations
 - Reddy Heater Service Manual User Reviews and Ratings
 - Reddy Heater Service Manual and Bestseller Lists

5. Accessing Reddy Heater Service Manual Free and Paid eBooks
 - Reddy Heater Service Manual Public Domain eBooks
 - Reddy Heater Service Manual eBook Subscription Services
 - Reddy Heater Service Manual Budget-Friendly Options
6. Navigating Reddy Heater Service Manual eBook Formats
 - ePub, PDF, MOBI, and More
 - Reddy Heater Service Manual Compatibility with Devices
 - Reddy Heater Service Manual Enhanced eBook Features
7. Enhancing Your Reading Experience
 - Adjustable Fonts and Text Sizes of Reddy Heater Service Manual
 - Highlighting and Note-Taking Reddy Heater Service Manual
 - Interactive Elements Reddy Heater Service Manual
8. Staying Engaged with Reddy Heater Service Manual
 - Joining Online Reading Communities
 - Participating in Virtual Book Clubs
 - Following Authors and Publishers Reddy Heater Service Manual
9. Balancing eBooks and Physical Books Reddy Heater Service Manual
 - Benefits of a Digital Library
 - Creating a Diverse Reading Collection Reddy Heater Service Manual
10. Overcoming Reading Challenges
 - Dealing with Digital Eye Strain
 - Minimizing Distractions
 - Managing Screen Time
11. Cultivating a Reading Routine Reddy Heater Service Manual
 - Setting Reading Goals Reddy Heater Service Manual
 - Carving Out Dedicated Reading Time
12. Sourcing Reliable Information of Reddy Heater Service Manual
 - Fact-Checking eBook Content of Reddy Heater Service Manual
 - Distinguishing Credible Sources
13. Promoting Lifelong Learning

- Utilizing eBooks for Skill Development
 - Exploring Educational eBooks
14. Embracing eBook Trends
- Integration of Multimedia Elements
 - Interactive and Gamified eBooks

Reddy Heater Service Manual Introduction

Free PDF Books and Manuals for Download: Unlocking Knowledge at Your Fingertips In today's fast-paced digital age, obtaining valuable knowledge has become easier than ever. Thanks to the internet, a vast array of books and manuals are now available for free download in PDF format. Whether you are a student, professional, or simply an avid reader, this treasure trove of downloadable resources offers a wealth of information, conveniently accessible anytime, anywhere. The advent of online libraries and platforms dedicated to sharing knowledge has revolutionized the way we consume information. No longer confined to physical libraries or bookstores, readers can now access an extensive collection of digital books and manuals with just a few clicks. These resources, available in PDF, Microsoft Word, and PowerPoint formats, cater to a wide range of interests, including literature, technology, science, history, and much more. One notable platform where you can explore and download free Reddy Heater Service Manual PDF books and manuals is the internet's largest free library. Hosted online, this catalog compiles a vast assortment of documents, making it a veritable goldmine of knowledge. With its easy-to-use website interface and customizable PDF generator, this platform offers a user-friendly experience, allowing individuals to effortlessly navigate and access the information they seek. The availability of free PDF books and manuals on this platform demonstrates its commitment to democratizing education and empowering individuals with the tools needed to succeed in their chosen fields. It allows anyone, regardless of their background or financial limitations, to expand their horizons and gain insights from experts in various disciplines. One of the most significant advantages of downloading PDF books and manuals lies in their portability. Unlike physical copies, digital books can be stored and carried on a single device, such as a tablet or smartphone, saving valuable space and weight. This convenience makes it possible for readers to have their entire library at their fingertips, whether they are commuting, traveling, or simply enjoying a lazy afternoon at home. Additionally, digital files are easily searchable, enabling readers to locate specific information within seconds. With a few keystrokes, users can search for keywords, topics, or phrases, making research and finding relevant information a breeze. This efficiency saves time and effort, streamlining the learning process and allowing individuals to focus on extracting the information they need. Furthermore, the availability of free PDF books and manuals fosters a culture of continuous learning. By removing financial barriers, more people can access educational resources and pursue lifelong learning, contributing to personal

growth and professional development. This democratization of knowledge promotes intellectual curiosity and empowers individuals to become lifelong learners, promoting progress and innovation in various fields. It is worth noting that while accessing free Reddy Heater Service Manual PDF books and manuals is convenient and cost-effective, it is vital to respect copyright laws and intellectual property rights. Platforms offering free downloads often operate within legal boundaries, ensuring that the materials they provide are either in the public domain or authorized for distribution. By adhering to copyright laws, users can enjoy the benefits of free access to knowledge while supporting the authors and publishers who make these resources available. In conclusion, the availability of Reddy Heater Service Manual free PDF books and manuals for download has revolutionized the way we access and consume knowledge. With just a few clicks, individuals can explore a vast collection of resources across different disciplines, all free of charge. This accessibility empowers individuals to become lifelong learners, contributing to personal growth, professional development, and the advancement of society as a whole. So why not unlock a world of knowledge today? Start exploring the vast sea of free PDF books and manuals waiting to be discovered right at your fingertips.

FAQs About Reddy Heater Service Manual Books

1. Where can I buy Reddy Heater Service Manual books? Bookstores: Physical bookstores like Barnes & Noble, Waterstones, and independent local stores. Online Retailers: Amazon, Book Depository, and various online bookstores offer a wide range of books in physical and digital formats.
2. What are the different book formats available? Hardcover: Sturdy and durable, usually more expensive. Paperback: Cheaper, lighter, and more portable than hardcovers. E-books: Digital books available for e-readers like Kindle or software like Apple Books, Kindle, and Google Play Books.
3. How do I choose a Reddy Heater Service Manual book to read? Genres: Consider the genre you enjoy (fiction, non-fiction, mystery, sci-fi, etc.). Recommendations: Ask friends, join book clubs, or explore online reviews and recommendations. Author: If you like a particular author, you might enjoy more of their work.
4. How do I take care of Reddy Heater Service Manual books? Storage: Keep them away from direct sunlight and in a dry environment. Handling: Avoid folding pages, use bookmarks, and handle them with clean hands. Cleaning: Gently dust the covers and pages occasionally.
5. Can I borrow books without buying them? Public Libraries: Local libraries offer a wide range of books for borrowing. Book Swaps: Community book exchanges or online platforms where people exchange books.

6. How can I track my reading progress or manage my book collection? Book Tracking Apps: Goodreads, LibraryThing, and Book Catalogue are popular apps for tracking your reading progress and managing book collections. Spreadsheets: You can create your own spreadsheet to track books read, ratings, and other details.
7. What are Reddy Heater Service Manual audiobooks, and where can I find them? Audiobooks: Audio recordings of books, perfect for listening while commuting or multitasking. Platforms: Audible, LibriVox, and Google Play Books offer a wide selection of audiobooks.
8. How do I support authors or the book industry? Buy Books: Purchase books from authors or independent bookstores. Reviews: Leave reviews on platforms like Goodreads or Amazon. Promotion: Share your favorite books on social media or recommend them to friends.
9. Are there book clubs or reading communities I can join? Local Clubs: Check for local book clubs in libraries or community centers. Online Communities: Platforms like Goodreads have virtual book clubs and discussion groups.
10. Can I read Reddy Heater Service Manual books for free? Public Domain Books: Many classic books are available for free as they're in the public domain. Free E-books: Some websites offer free e-books legally, like Project Gutenberg or Open Library.

Find Reddy Heater Service Manual :

how did deng xiaoping's economic policies change chinese culture

how a bill becomes a law flowchart answers

how long is finding nemo at animal kingdom

how many dinobots are there

how many bodhisattvas are there

how to become a zen master

how many drops of water fit on a penny

how to become a cosmetic formulator

how did frida kahlo change the world

homologous structures are

how many modules are in drivers ed

how hard is the life insurance exam

how can your money personality affect your ability to save

how many questions are on the pert math test

how much is wham worth

Reddy Heater Service Manual :

ma c thodes numa c riques analyse alga bre a c qu pdf pdf - May 31 2022

web merely said the ma c thodes numa c riques analyse alga bre a c qu pdf is universally compatible with any devices to read anthologies anthology mal peet 2000

ma c thodes numa c riques analyse alga bre a c qu 2023 - Aug 14 2023

web ma c thodes numa c riques analyse alga bre a c qu the sociocultural turn in psychology apr 05 2021 the sociocultural turn in psychology addresses a variety of

ma c thodes numa c riques directes de l alga bre pdf - Jul 01 2022

web jun 29 2023 ma c thodes numa c riques directes de l alga bre pdf ma c thodes numa c riques analyse alga bre a c qu

web this ma c thodes numa c riques analyse

ma c thodes numa c riques analyse alga bre a c qu copy - Sep 03 2022

web may 19 2023 thodes numa c riques analyse alga bre a c qu but end occurring in harmful downloads rather than enjoying a fine pdf as soon as a cup of coffee in the

ma c thodes numa c riques analyse alga bre a c qu copy - Apr 29 2022

web feb 28 2023 ma c thodes numa c riques analyse alga bre a c qu 2 8 downloaded from uniport edu ng on february 28 2023 by guest who were in turn able to secure his

analisi delle acque chimica online - Oct 24 2021

web analisi chimiche e chimico fisiche sulle acque l analisi chimica che più correntemente si compie sull acqua è la determinazione della durezza ossia del contenuto in sali di calcio

guide pratique de détermination des algues macroscopiques d - Feb 25 2022

web m c peltre e lambert s rodriguez j p vergon christian chauvin dir guide pratique de détermination des algues macroscopiques d eau douce et de quelques organismes

alga tossica in mare che rischi ci sono ok salute - Nov 24 2021

web aug 1 2019 un decalogo per la giovinezza l editoriale di antonino di pietro in evidenza rughe contorno labbra come eliminare il codice a barre soft hiking cos è questa

ma c thodes numa c riques analyse alga bre a c qu pdf - Mar 09 2023

web ma c thodes numa c riques analyse alga bre a c qu menace to empire oct 02 2020 this history reveals how radical threats

to the united states empire became seditious

ma c thodes numa c riques analyse alga bre a c qu pdf - Jan 07 2023

web may 5 2023 *ma c thodes numa c riques analyse alga bre a c qu 2 8* downloaded from uniport edu ng on may 5 2023 by guest talal asad proceeds to dismantle commonly

analisi chimica e microbiologica delle acque eurocert - Jan 27 2022

web dec 17 2019 l acqua deve essere conforme ad una serie di parametri microbiologici decreto legislativo 31 2001 parte a e chimici parte b nonché parametri indicatori

ma c thodes numa c riques analyse alga bre a c qu pdf - Nov 05 2022

web may 25 2023 *ma c thodes numa c riques analyse alga bre a c qu 2 9* downloaded from uniport edu ng on may 25 2023 by guest friendsÑshow but little understanding for

ma c thodes numa c riques analyse alga bre a c qu - Mar 29 2022

web *ma c thodes numa c riques analyse alga bre a c qu 2 8* downloaded from uniport edu ng on may 31 2023 by guest allegedly covers he argues that while

ma c thodes numa c riques directes de l alga bre pdf full pdf - Jul 13 2023

web jun 25 2023 *ma c thodes numa c riques directes de l alga bre pdf ma c thodes numa c riques analyse alga bre a c qu*
web this *ma c thodes numa c riques analyse*

ma c thodes numa c riques analyse alga bre a c qu - May 11 2023

web *ma c thodes numa c riques analyse alga bre a c qu* when people should go to the books stores search start by shop shelf by shelf it is truly problematic bargains to

bonjour pourriez vous m aider je n y arrive pas du tout merci - Dec 26 2021

web dec 16 2017 des algues sont apparues dans la mare de lucas car l eau de sa mare s est acidifiée il s est produit une eutrophisation voilà en espérant t avoir aidé

ma c thodes numa c riques analyse alga bre a c qu pdf copy - Feb 08 2023

web *ma c thodes numa c riques analyse alga bre a c qu pdf* is available in our book collection an online access to it is set as public so you can download it instantly our

ma c thodes numa c riques analyse alga bre a c qu - Aug 02 2022

web jun 12 2023 right here we have countless ebook *ma c thodes numa c riques analyse alga bre a c qu* and collections to check out we additionally give variant types and next

ma c thodes numa c riques directes de l alga bre book - Dec 06 2022

web *ma c thodes numa c riques directes de l alga bre european yearbook annuaire européen volume 58 2010 feb 23 2022* the

european yearbook promotes the

ma c thodes numa c riques analyse alga bre a c qu copy - Oct 04 2022

web ma c thodes numa c riques analyse alga bre a c qu ma c thodes numa c riques analyse alga bre a c qu 2 downloaded from cornelisfr vanlanschot be on 2021 12 22

ma c thodes numa c riques analyse alga bre a c qu - Jun 12 2023

web this ma c thodes numa c riques analyse alga bre a c qu can be taken as well as picked to act archaeologia cantiana volume 2 kent archaeological society 2018 10

ma c thodes numa c riques analyse alga bre a c qu pdf - Sep 22 2021

web ma c thodes numa c riques analyse alga bre a c qu pdf is manageable in our digital library an online right of entry to it is set as public consequently you can download it

ma c thodes numa c riques analyse alga bre a c qu copy - Apr 10 2023

web jun 26 2023 this ma c thodes numa c riques analyse alga bre a c qu as one of the most involved sellers here will enormously be among the best options to review

the soul midwives handbook the holistic and spiritual care of - Aug 03 2022

web the soul midwives handbook the holistic and spiritual care of the dying ebook warner felicity amazon co uk books

the soul midwives handbook the holistic and spiritual care - Nov 06 2022

web the soul midwives handbook the holistic and spiritual care of the dying by warner felicity at abebooks co uk isbn 10 1848507038 isbn 13 9781848507036 hay house uk 2013 softcover

the soul midwives handbook by felicity warner overdrive - Jan 08 2023

web sep 2 2013 soul midwives a movement begun by felicity warner has changed the face of modern holistic and spiritual palliative care in the uk and abroad soul midwives are holistic and spiritual companions to the dying

the soul midwives handbook the holistic and spiritual care of - Mar 30 2022

web a revolutionary approach to caring for the dying through holistic treatment and spiritual techniques from a leader in death midwifery soul midwives a movement begun by felicity warner has changed the face of modern holistic and spiritual palliative care in the uk and abroad

the soul midwives handbook the holistic and spiritual care of - Feb 26 2022

web the soul midwives handbook the holistic and spiritual care of the dying by felicity warner 2013 hay house uk ltd edition

the soul midwives handbook the holistic and spiritual care of the dying 2013 edition open library

the soul midwives handbook by felicity warner 9781781801345 - Feb 09 2023

web soul midwives are holistic and spiritual companions to the dying they draw on traditional skills now largely forgotten

applying them to our modern world to ease the passage of those who are dying their services are used within people s own homes in

[the soul midwives handbook the holistic and spiritual care of](#) - Jul 14 2023

web the soul midwives handbook the holistic and spiritual care of the dying warner felicity amazon com tr kitap

the soul midwives handbook the holistic and spiritual care of - Jun 13 2023

web the soul midwives handbook the holistic and spiritual care of the dying soul midwives a movement begun by felicity warner has changed the face of modern holistic and

[the soul midwives handbook the holistic and spiritual](#) - Mar 10 2023

web the soul midwives handbook the holistic and spiritual care of the dying felicity warner 4 29 51 ratings2 reviews want to read kindle 9 99 rate this book a revolutionary approach to caring for the dying through holistic treatment and spiritual techniques from a leader in death midwifery

the soul midwives handbook the holistic and spiritual care of - Jul 02 2022

web buy the soul midwives handbook the holistic and spiritual care of the dying by warner felicity online on amazon ae at best prices fast and free shipping free returns cash on delivery available on eligible purchase

the soul midwives handbook the holistic and spiritual care of - Jan 28 2022

web soul midwives a movement begun by felicity warner has changed the face of modern holistic and spiritual palliative care in the uk and abroad soul midwives are holistic and spiritual companions to the dying they draw on traditional skills now largely forgotten applying them to our modern world to ease the passage of those who are dying

the soul midwives handbook the holistic and spiri cynthia - Dec 27 2021

web the soul midwives handbook felicity warner 2013 soul midwives a movement begun by felicity warner has changed the face of modern holistic and spiritual palliative care in the uk and abroad soul midwives are holistic and spiritual companions to the dying they draw on traditional skills now largely forgotten

the soul midwives handbook the holistic and spiritual care of - May 12 2023

web soul midwives are holistic and spiritual companions to the dying they draw on traditional skills applying them to our modern world to ease the passage of those who are dying suitable for anyone with an open and compassionate heart and a desire to help others this book guides them through the core principles and techniques of this practice

soul midwives handbook amazon com - Apr 11 2023

web sep 2 2013 soul midwives are holistic and spiritual companions to the dying they draw on traditional skills applying them to our modern world to ease the passage of those who are dying their services are used within people s own homes in

the soul midwives handbook the holistic and spiritual care of - Oct 05 2022

web amazon in buy the soul midwives handbook the holistic and spiritual care of the dying book online at best prices in india on amazon in read the soul midwives handbook the holistic and spiritual care of the dying book reviews author details and more at amazon in free delivery on qualified orders

the soul midwives handbook the holistic and spiritual care of - Aug 15 2023

web soul midwives are holistic and spiritual companions to the dying they draw on traditional skills now largely forgotten applying them to our modern world to ease the passage of those who are dying their services are used within people s own homes in

the soul midwives handbook the holistic and spiritual care of - Sep 04 2022

web a revolutionary approach to caring for the dying through holistic treatment and spiritual techniques from a leader in death midwifery soul midwives a movement begun by felicity warner has changed the face of modern holistic and spiritual palliative care in the uk and abroad

the soul midwives handbook by felicity warner ebook - Dec 07 2022

web soul midwives are holistic and spiritual companions to the dying they draw on traditional skills now largely forgotten applying them to our modern world to ease the passage of those who are dying their services are used within people s own homes in

the soul midwives handbook by felicity warner new - Jun 01 2022

web sep 2 2013 buy the soul midwives handbook the holistic and spiritual care of the dying by felicity warner our new books come with free delivery in the uk isbn 9781848507036

the soul midwives handbook the holistic and spiritual care of - Apr 30 2022

web sep 2 2013 soul midwives a movement begun by felicity warner has changed the face of modern holistic and spiritual palliative care in the uk and abroad soul midwives are holistic and spiritual companions to the dying they draw on traditional skills now largely forgotten applying them to our modern world to ease the passage of those who are dying

missa mariae new horizons admin store motogp com - Jan 20 2022

web 2 missa mariae new horizons 2023 03 17 and trends the american organist penguin group new york magazine was born in 1968 after a run as an insert of the new york

missa mariae new horizons magallantaekwondo com - Jun 24 2022

web just exercise just what we provide under as with ease as review missa mariae new horizons what you in the manner of to read american organist thomas scott godfrey

missa mariae new horizons mcdowall cecilia amazon com tr - Sep 08 2023

web missa mariae new horizons mcdowall cecilia amazon com tr Çerez tercihlerinizi seçin alışveriş deneyiminizi geliştirmek

hizmetlerimizi sunmak müşterilerin

missa mariae new horizons api mobomo com - Feb 18 2022

web 4 missa mariae new horizons 2023 02 17 surrounding the choir s formation substantial coverage is given to the influence of katharine m lucke one of baltimore s grandes

missa mariae new horizons admin store motogp com - Jul 26 2022

web 2 missa mariae new horizons 2022 01 23 readers across the country with award winning writing and photography covering everything from politics and food to theater and

missa mariae vocal score new horizons paperback amazon in - May 04 2023

web amazon in buy missa mariae vocal score new horizons book online at best prices in india on amazon in read missa mariae vocal score new horizons book reviews

missa mariae cecilia mcdowall google books - Aug 07 2023

web check out the new look and enjoy easier access to your favorite features try it now no thanks missa mariae cecilia mcdowall oup oxford aug 25 2016 choruses

missa mariae new horizons uniport edu ng - Nov 17 2021

web jun 20 2023 this online pronouncement missa mariae new horizons can be one of the options to accompany you considering having supplementary time it will not waste your

mcdowall cecilia missa mariae presto music - Oct 29 2022

web sheet music for mcdowall cecilia missa mariae buy online ssa organ chor published by oxford university press composer mcdowall c

missa mariae new horizons uniport edu ng - Mar 22 2022

web jul 8 2023 missa mariae new horizons 2 4 downloaded from uniport edu ng on july 8 2023 by guest runs therefore throughout the entire history of the jerusalem

missa mariae new horizons uniport edu ng - Apr 22 2022

web jun 9 2023 missa mariae new horizons 2 6 downloaded from uniport edu ng on june 9 2023 by guest marie jaëll catherine guichard 2004 a biographical work about the world

missa mariae new horizons uniport edu ng - Dec 19 2021

web apr 2 2023 missa mariae new horizons 2 7 downloaded from uniport edu ng on april 2 2023 by guest bielefelder katalog klassik 2006 a history of the handel choir of

missa mariae vocal score new horizons sheet music - Apr 03 2023

web buy missa mariae vocal score new horizons vocal score by mcdowall cecilia isbn 9780193417540 from amazon s book

store everyday low prices and free delivery on

new horizons ser missa mariae by cecilia mcdowall 2016 - Feb 01 2023

web find many great new used options and get the best deals for new horizons ser missa mariae by cecilia mcdowall 2016

sheet music at the best online prices at ebay free

the music exchange - Dec 31 2022

web missa mariae cecilia mcdowall new horizons for ssa and organ this concise latin mass setting is entirely suitable for liturgical use but the sharply delineated characters of

missa mariae new horizons help environment harvard edu - Aug 27 2022

web missa mariae new horizons if you ally obsession such a referred missa mariae new horizons books that will have the funds for you worth get the unquestionably best seller

missa mariae vocal score new horizons mcdowall cecilia - Sep 27 2022

web missa mariae vocal score new horizons mcdowall cecilia paperback 5 81 for sale missa mariae vocal score new horizons author mcdowall cecilia binding

mcdowall cecilia missa mariae opus 13 ltd - Nov 29 2022

web home sheet music vocal choral choral upper voices mcdowall cecilia missa mariae new horizons forces ssa organ related products blezzard judith

missa mariae new horizons uniport edu ng - May 24 2022

web apr 20 2023 missa mariae new horizons 2 4 downloaded from uniport edu ng on april 20 2023 by guest rpertitres francois verschaeve 2007 gramophone classical good cd

missa mariae cecilia mcdowall oxford university press - Oct 09 2023

web sheet music published 25 august 2016 duration 11 minutes difficulty easy moderately difficult 24 pages 10 0 x 7 0 inches isbn 9780193417540 bookseller code 32

singers com new horizons sheet music arrangements - Jun 05 2023

web cecilia mcdowall missa mariae this concise latin mass setting is entirely suitable for liturgical use but the sharply delineated characters of the different movements make it

9780193417540 missa mariae new horizons 0193417545 - Mar 02 2023

web missa mariae new horizons isbn 13 9780193417540 missa mariae new horizons isbn 10 0193417545 isbn 13 9780193417540 publisher oxford university press

missa mariae by cecilia mcdowall choir digital sheet music - Jul 06 2023

web missa mariae by cecilia mcdowall choir digital sheet music item number 21435210 3 3 out of 5 customer rating 5 25

instant download new horizons score 23 pages