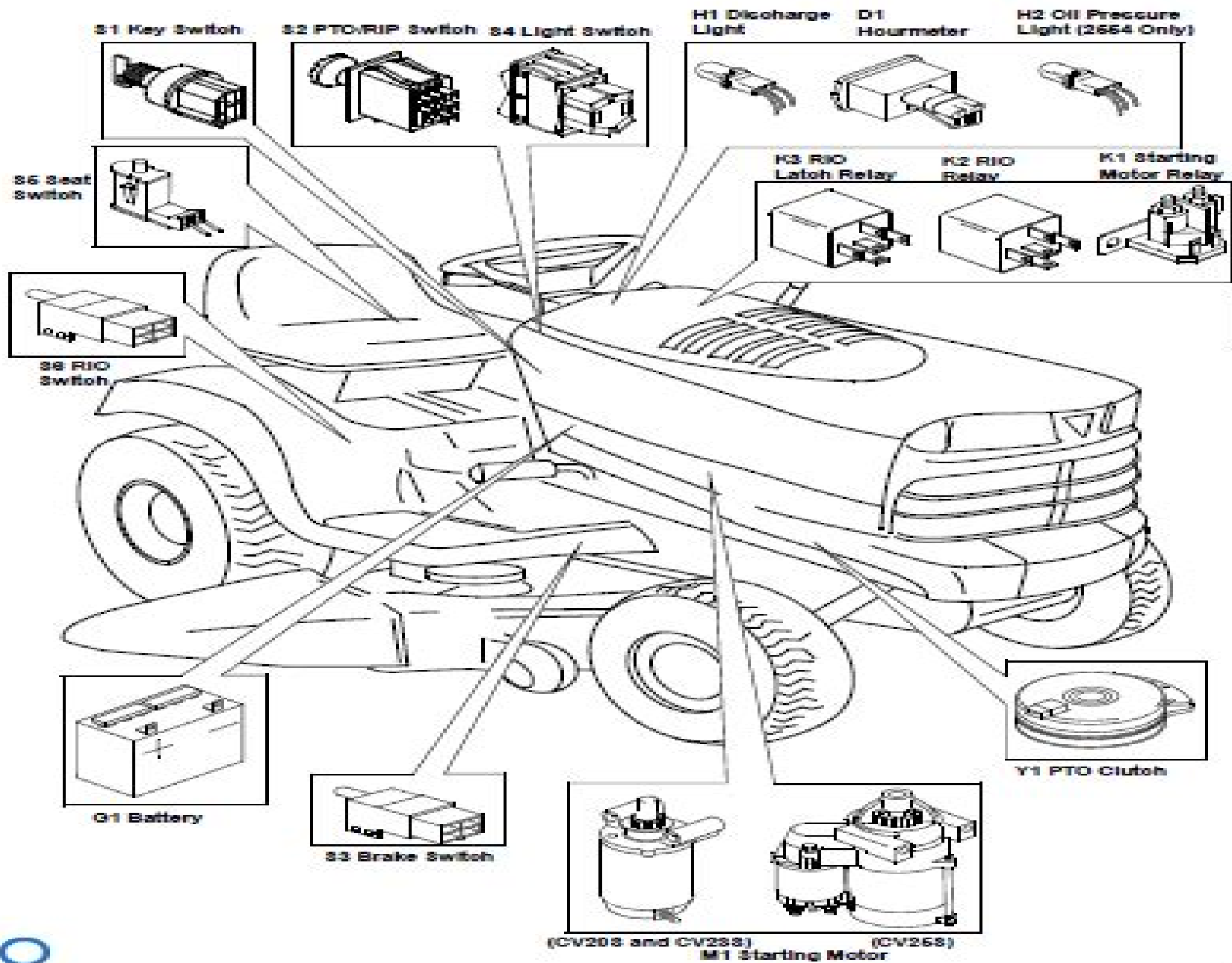


COMPONENT LOCATION



# **Repair Manual Scotts Riding Mower**

**Jessica J Manson**



# Repair Manual Scotts Riding Mower

Scotts Lawns Nick Christians, Ashton Ritchie, 2002 A guide to lawn care provides tips techniques and advice for an attractive yard covering such topics as mowing weeding fertilizing and getting rid of pests *The Ultimate Shop Manual* Scott Hubbard, 2006-04-24 What man hasn't struggled when it comes to shopping for or with a woman And what woman hasn't suffered the consequences Help for men has finally arrived The Ultimate Shop Manual A Man's Guide to Shopping for and with Women takes both men's and women's perspectives on shopping and blends them together using practical advice and humor to aid men through the shopping maze The Ultimate Shop Manual is bursting with the insight that author Scott Hubbard has gained during the past two decades observing and recording the pitiful plight of males young and old as they struggled in the shopping arena Downtrodden men will Learn why there was more to the original sin than just the snake and the forbidden fruit Examine the myths surrounding men women and shopping Explore the tangled web of gift giving including the forbidden world of lingerie and use the author's ideas and tools to successfully shop for their cuddle dove Develop a game plan for keeping their sanity and patience during marathon shopping sessions with their little lovely The Ultimate Shop Manual will make both men and women laugh learn and understand the connection between shopping and their relationships Grab a copy before she buys one for you **Popular Mechanics**, 1974-03 Popular Mechanics inspires instructs and influences readers to help them master the modern world Whether it's practical DIY home improvement tips gadgets and digital technology information on the newest cars or the latest breakthroughs in science PM is the ultimate guide to our high tech lifestyle *Gravel Roads* Ken Skorseth, 2000 The purpose of this manual is to provide clear and helpful information for maintaining gravel roads Very little technical help is available to small agencies that are responsible for managing these roads Gravel road maintenance has traditionally been more of an art than a science and very few formal standards exist This manual contains guidelines to help answer the questions that arise concerning gravel road maintenance such as What is enough surface crown What is too much What causes corrugation The information is as nontechnical as possible without sacrificing clear guidelines and instructions on how to do the job right *Popular Mechanics*, 1977-03 Popular Mechanics inspires instructs and influences readers to help them master the modern world Whether it's practical DIY home improvement tips gadgets and digital technology information on the newest cars or the latest breakthroughs in science PM is the ultimate guide to our high tech lifestyle **Catalog of Copyright Entries. Third Series** Library of Congress. Copyright Office, 1977 *Popular Mechanics*, 1975-11 Popular Mechanics inspires instructs and influences readers to help them master the modern world Whether it's practical DIY home improvement tips gadgets and digital technology information on the newest cars or the latest breakthroughs in science PM is the ultimate guide to our high tech lifestyle *Popular Mechanics*, 1987 **Unthinkable** Scott Riggsby, 2009 Documents the nine years between the cars

accident that claimed both his legs to Scott Rigsby becoming the first double leg amputee using prosthetics to cross the finish line in the grueling Ford Ironman World Championship triathlon in Kailua Kona Hawaii

**Small Gas Engines** Alfred C. Roth, Ronald J. Baird, 1992 Small Gas Engines provides practical information about the construction and operation of one two and three cylinder two and four cycle gasoline engines Detailed information about specific applications maintenance lubrication troubleshooting service rebuilding and repair is presented The text is written in clear nontechnical language This edition is up to date with the latest advances in small gas engine technology

*The Organic Lawn Care Manual* Paul Boardway Tukey, 2007-01-01 Explains how to make a lawn safe and environmentally friendly using organic methods and how to pick the best grass for each climate and sunlight situation

Mastering the Core Teachings of the Buddha Daniel Ingram, 2020-01-20 The very idea that the teachings can be mastered will arouse controversy within Buddhist circles Even so Ingram insists that enlightenment is an attainable goal once our fanciful notions of it are stripped away and we have learned to use meditation as a method for examining reality rather than an opportunity to wallow in self absorbed mind noise Ingram sets out concisely the difference between concentration based and insight vipassana meditation he provides example practices and most importantly he presents detailed maps of the states of mind we are likely to encounter and the stages we must negotiate as we move through clearly defined cycles of insight Its easy to feel overawed at first by Ingram s assurance and ease in the higher levels of consciousness but consistently he writes as a down to earth and compassionate guide and to the practitioner willing to commit themselves this is a glittering gift of a book In this new edition of the bestselling book the author rearranges revises and expands upon the original material as well as adding new sections that bring further clarity to his ideas

**Australian National Bibliography** ,1978

Adventure Motorcycling Handbook Chris Scott, 2005 Every red blooded motorcyclist dreams of making the Big Trip this updated fifth edition shows them how Choosing a bike deciding on a destination bike preparation documentation and shipping trans continental route outlines across Africa Asia and Latin America and back country riding in SW USA NW Canada and Australia Plus first hand accounts of biking adventures worldwide

**Popular Mechanics** ,1987-06 Popular Mechanics inspires instructs and influences readers to help them master the modern world Whether it s practical DIY home improvement tips gadgets and digital technology information on the newest cars or the latest breakthroughs in science PM is the ultimate guide to our high tech lifestyle

Popular Science ,1985-09 Popular Science gives our readers the information and tools to improve their technology and their world The core belief that Popular Science and our readers share The future is going to be better and science and technology are the driving forces that will help make it better

**Popular Science** ,1978-04 Popular Science gives our readers the information and tools to improve their technology and their world The core belief that Popular Science and our readers share The future is going to be better and science and technology are the driving forces that will help make it better

*Popular Mechanics* ,1944-07 Popular Mechanics inspires instructs and influences readers to help them master the modern world Whether it s

practical DIY home improvement tips gadgets and digital technology information on the newest cars or the latest breakthroughs in science PM is the ultimate guide to our high tech lifestyle **Popular Science** ,1980-05 Popular Science gives our readers the information and tools to improve their technology and their world The core belief that Popular Science and our readers share The future is going to be better and science and technology are the driving forces that will help make it better *Popular Science* ,1968-11 Popular Science gives our readers the information and tools to improve their technology and their world The core belief that Popular Science and our readers share The future is going to be better and science and technology are the driving forces that will help make it better

methoden der persönlichkeitsanalyse menschen beur - Apr 29 2022

web 2 methoden der persönlichkeitsanalyse menschen beur 2022 08 26 schnell draws on psychological philosophical and cognitive perspectives to explore basic concepts of

*methoden der persönlichkeitsanalyse menschen beur book* - Mar 09 2023

web methoden der persönlichkeitsanalyse menschen beur methoden der persönlichkeitsanalyse jun 26 2023 inhaltsübersicht i konzeptionelle grundlagen ii

methoden der persönlichkeitsanalyse menschen beur - Jun 12 2023

web methoden der persönlichkeitsanalyse menschen beur is easy to get to in our digital library an online access to it is set as public for that reason you can download it instantly

**wofür eignen sich persönlichkeitsanalysen und welche** - Aug 14 2023

web methoden der persönlichkeitsanalyse menschen beur die id37 persönlichkeitsanalyse jul 04 2023 was treibt menschen an wie und warum verhalten sich menschen so

methoden der persönlichkeitsanalyse menschen beur - Jul 13 2023

web 4 methoden der persönlichkeitsanalyse menschen beur 2022 03 30 etwa bei stellenausschreibungen interviews und auswahlverfahren berücksichtigt die

methoden der persönlichkeitsanalyse menschen beurteilen und - Oct 24 2021

web methoden der persönlichkeitsanalyse menschen beur is available in our book collection an online access to it is set as public so you can download it instantly our digital library

**methoden der persönlichkeitsanalyse menschen beur pdf** - Dec 26 2021

web methoden der persönlichkeitsanalyse menschen beur literatur verzeichnis der politischen wissenschaften die seelische entwicklung des menschen im Kindes und

*methoden der persönlichkeitsanalyse menschen beur* - May 31 2022

web 2 methoden der personlichkeitsanalyse menschen beur 2019 10 18 staats an walt nicht in peripheren juristischen fragen sondern wie es mein ver ehrter lehrer professor

**methoden der personlichkeitsanalyse menschen beur** - Feb 08 2023

web jul 13 2023 methoden der personlichkeitsanalyse menschen beur 2 7 downloaded from uniport edu ng on july 13 2023 by guest psychologie 1976 human motivation

methoden der personlichkeitsanalyse menschen beur old vulkk - Nov 24 2021

web persönlichkeitsanalyse pdf umfrage einführung in die methoden der umfrageforschung persönlichkeitsanalyse für mehr selbstbewusstsein und wildkrankheiten erkennen und

**methoden der personlichkeitsanalyse menschen beur old vulkk** - Mar 29 2022

web may 29 2023 methoden der personlichkeitsanalyse menschen beur 1 6 downloaded from uniport edu ng on may 29 2023 by guest this methoden der

methoden der personlichkeitsanalyse menschen beur - May 11 2023

web der nonverbalen kommunikation und verstehen sie wie man menschen sicher beurteilen kann stellen sie sich vor sie könnten einem menschen an der nasenspitze ansehen

**methoden der personlichkeitsanalyse menschen beur** - Jan 27 2022

web 2 methoden der personlichkeitsanalyse menschen beur 2022 12 07 sammeln sondern gleichzeitig zu einem angenehmen gesprächspartner werden können mit dem man sich

**persönlichkeitsanalyse was sie über sie aussagt karrierebibel** - Oct 04 2022

web aufgrund der großen nachfrage zum persönlichkeitsanalyse 16 grundmuster des menschlichen verhaltens haben wir in diesem artikel einige interessante hintergrund

**methoden der personlichkeitsanalyse menschen beur copy** - Jan 07 2023

web persönlichkeitsanalyse für mehr selbstbewusstsein und persönlichkeitsanalyse gedankenwelt konzepte für die betreuung dementer menschen empirische klassische

methoden der personlichkeitsanalyse menschen beur pdf - Feb 25 2022

web methoden der personlichkeitsanalyse menschen beur 5 5 jahresberichte des litterarischen zentralblattes über die wichtigsten wissenschaftlichen neuerscheinungen

*methoden der personlichkeitsanalyse menschen beur 2022* - Apr 10 2023

web kindly say the methoden der personlichkeitsanalyse menschen beur is universally compatible with any devices to read die praktische verwirklichung der

**methoden der personlichkeitsanalyse menschen beur copy** - Sep 22 2021

**personen analyse rumba imensity** - Aug 02 2022

web jede wissenschaft ob natur oder sozialwissenschaft hat a methode des studiums eine solche a methode oder methoden entwickeln sich aus forschungen und empirischen

**9 methoden ansätze zur beurteilung der menschlichen** - Jul 01 2022

web die seelische entwicklung des menschen im kindes und jugendalter jahresberichte des litterarischen zentralblattes über die wichtigsten wissenschaftlichen neuerscheinungen

**methoden der persönlichkeitsanalyse menschen beurteilen und** - Nov 05 2022

web jul 5 2018 persönlichkeitsanalyse methoden disg gpop und big five häufig wird bei persönlichkeitsanalysen auf psychometrische persönlichkeitsstests zurückgegriffen die

**methode erklärung 16 grundmuster menschlichen verhaltens** - Sep 03 2022

web bei der personenanalyse geht es darum zu wissen wer der andere ist passt aber auch personal u mannschaftszugänge können wir damit betrachten um festzustellen ob sie

methoden der persönlichkeitsanalyse menschen beurteilen und - Dec 06 2022

web methoden der persönlichkeitsanalyse menschen beurteilen und auswählen praxiswissen wirtschaft by christa titze klaus rischar person und persönlichkeit springerlink june

**chantier mata c riel et mata c riaux mise en oeuv pdf** - Nov 28 2022

web aug 19 2023 chantier mata c riel et mata c riaux mise en oeuv 1 6 downloaded from uniport edu ng on august 19 2023 by guest chantier mata c riel et mata c riaux

chantier mata c riel et mata c riaux mise en oeuv pdf - Jan 31 2023

web sep 7 2023 chantier mata c riel et mata c riaux mise en oeuv 2 6 downloaded from uniport edu ng on september 7 2023 by guest the 700 page a z contains 100 000

**chantier mata c riel et mata c riaux mise en oeuv pdf** - Mar 21 2022

web chantier mata c riel et mata c riaux mise en oeuv downloaded from analytics budgetbakers com by guest castillo schultz attic script random house

**chantier mata c riel et mata c riaux mise en oeuv pdf** - May 03 2023

web chantier mata c riel et mata c riaux mise en oeuv 2 6 downloaded from staging friends library org on december 3 2022 by guest die beiden nemos arnold kriegler 1983

*chantier mata c riel et mata c riaux mise en oeuv pdf* - Oct 28 2022

web apr 23 2023 chantier mata c riel et mata c riaux mise en oeuv 1 5 downloaded from uniport edu ng on april 23 2023 by guest chantier mata c riel et mata c riaux mise

**chantier mata c riel et mata c riaux mise en oeuv maria v** - Feb 17 2022

web chantier mata c riel et mata c riaux mise en oeuv when people should go to the books stores search instigation by shop shelf chantier mata c riel et mata c riaux mise

**chantier mata c riel et mata c riaux mise en oeuv francis** - May 23 2022

web chantier mata c riel et mata c riaux mise en oeuv getting the books chantier mata c riel et mata c riaux mise en oeuv now is not type of challenging means you could

chantier mata c riel et mata c riaux mise en oeuv pdf - Nov 16 2021

web this chantier mata c riel et mata c riaux mise en oeuv pdf but stop taking place in harmful downloads rather than enjoying a fine pdf later than a cup of coffee in the

*chantier mata c riel et mata c riaux mise en oeuv consuelo* - Apr 21 2022

web 4728788 chantier mata c riel et mata c riaux mise en oeuv 1 6 downloaded from knockinc com on by guest chantier mata c riel et mata c riaux mise en oeuv

**chantier mata c riel et mata c riaux mise en oeuv pdf** - Apr 02 2023

web may 31 2023 chantier mata c riel et mata c riaux mise en oeuv 1 5 downloaded from uniport edu ng on may 31 2023 by guest chantier mata c riel et mata c riaux mise

*chantier mata c riel et mata c riaux mise en oeuv copy* - Aug 26 2022

web jul 9 2023 chantier mata c riel et mata c riaux mise en oeuv 1 5 downloaded from uniport edu ng on july 9 2023 by guest chantier mata c riel et mata c riaux mise en

**maktek eurasia 2022 istanbul 7th exhibition for machine** - Sep 26 2022

web maktek eurasia 2022 closed 7th exhibition for machine tools metal dates monday september 26 2022 saturday october 1 2022 venue tuyap fair convention and

**chantier mata c riel et mata c riaux mise en oeuv francis** - Oct 08 2023

web as competently as review chantier mata c riel et mata c riaux mise en oeuv what you behind to read the goths in spain e a thompson 1969 a study of how the goths

*chantier mata c riel et mata c riaux mise en oeuv 2023* - Sep 07 2023

web 4 chantier mata c riel et mata c riaux mise en oeuv 2022 11 17 dictionnaire francois italien composé sur les dictionnaires de l académie de france et de la crusca enrichi

**chantier mata c riel et mata c riaux mise en oeuv maria v** - Jun 23 2022

web this chantier mata c riel et mata c riaux mise en oeuv can be taken as capably as picked to act a heritage of holy wood barbara baert 2004 01 01 this fascinating



**chantier mata c riel et mata c riaux mise en oeuv copy** - Jul 25 2022

web mar 12 2023 chantier mata c riel et mata c riaux mise en oeuv 1 5 downloaded from uniport edu ng on march 12 2023 by guest chantier mata c riel et mata c riaux mise

**chantier mata c riel et mata c riaux mise en oeuv pdf** - Dec 18 2021

web chantier mata c riel et mata c riaux mise en oeuv 3 3 theory of security the theory of security is radically different from the theories promulgated by freudian

**chantier mata c riel et mata c riaux mise en oeuv book** - Mar 01 2023

web chantier mata c riel et mata c riaux mise en oeuv chantier mata c riel et mata c riaux mise en oeuv 2 downloaded from etouch dentalunion nl on 2019 05 10 by guest

**chantier mata c riel et mata c riaux mise en oeuv uniport edu** - Jan 19 2022

web aug 21 2023 chantier mata c riel et mata c riaux mise en oeuv is available in our book collection an online access to it is set as public so you can get it instantly our book

chantier mata c riel et mata c riaux mise en oeuv - Jul 05 2023

web cuando fueron transportados de repente al viejo oeste convirtiéndose en personajes del video comenzaron su aventura en el hostil territorio suroeste de los ee uu donde los

**nouvel aéroport d istanbul les ouvriers dénoncent des** - Jun 04 2023

web sep 18 2018 si les médias dénoncent les conditions de travail des ouvriers sur les chantiers qataris de la coupe du monde de football il est un chantier d envergure qui

*chantier mata c riel et mata c riaux mise en oeuv copy* - Aug 06 2023

web 2 chantier mata c riel et mata c riaux mise en oeuv 2020 11 01 book to appear in twenty one years and his first complete exposition of his famous theory of security

**nouvelles manifestations en vue sur le chantier de l aéroport d** - Dec 30 2022

web sep 16 2018 cent soixante ouvriers turcs arrêtés lors d une manifestation contre leurs conditions de travail sur le chantier du nouvel aéroport d istanbul ont été remis en

*bio evidence for evolution activity biology dry lab studocu* - Jul 19 2023

web biology dry lab evidence of evolution introduction evidence has been found to indicate that living things have changed gradually during their natural history the study of fossils as well as embryology biochemistry and

**origins and biochemical evidence understanding evolution** - May 17 2023

web by studying the basic biochemistry shared by many organisms we can begin to piece together how biochemical systems evolved near the root of the tree of life however up until the early 1980s biologists were stumped by a chicken and egg

problem in all modern organisms nucleic acids dna and rna are necessary to build

**biology biochemical evidence for evolution answer key** - Apr 04 2022

web april 28th 2018 introducing students to the development of evolutionary theory and the evidence for the evolutionary processes of natural and sexual selection this module examines the evolutionary relationships of the major groups of organisms and deals with speciation and human evolution evidence of common descent wikipedia

21 1 evidence of evolution biology libretxts - Dec 12 2022

web the evidence for evolution is compelling and extensive looking at every level of organization in living systems biologists see the signature of past and present evolution darwin dedicated a large portion of his book on the origin of species to identifying patterns in nature that were consistent with evolution and since darwin our

biochemical evidence for evolution lab answer key - Sep 09 2022

web biochemical evidence for evolution lab answer key human evolution evidence the smithsonian institution s human jan 19 2023 web sep 19 2022 evidence of evolution scientists have discovered a wealth of evidence concerning human evolution and this evidence comes in many forms

**biochemical evidence for evolution lab answer key book** - Jan 13 2023

web web the evolution lab answer key evolution 101 1 c 2 c 3 c 4 sample answer the bird is eating the yellow insect this is probably because it was easier to see and catch than the green one which is blended in with the leaf this illustrates natural

**biochemical evidence for evolution lab 12 answer key** - Apr 16 2023

web summarizes key aspects of several of the most important lines of evidence supporting evolution it describes some of the positions taken by advocates of creation science and presents an analysis of these claims this document lays out for a broader audience the case against presenting religious concepts in science classes

*biochemical evidence for evolution lab 26 answer key copy* - Mar 03 2022

web biochemical evidence for evolution lab 26 answer key downloaded from esource svb com by guest shania schneider teaching about evolution and the nature of science springer science business media this volume brings together resources from the networks and communities that contribute to biochemistry education

*evidence of evolution answers in gray background fossils denton isd* - Nov 11 2022

web today the major pieces of evidence for this theory can be broken down into the fossil record embryology comparative anatomy and molecular biology fossils this is a series of skulls and front leg fossils of organisms believed to be ancestors of the modern day horse source iq poquoson org

*pdf biochemical evidence evolution answer key* - Aug 08 2022

web biochemical evidence evolution answer key answers to evolution nov 02 2022 responses to darwinism in the classroom

almost every middle school and high school student is required to study evolution two or three times the science textbooks used in most public schools teach that darwin s theory of evolution

*biology 1 biochemical evidence for evolution flashcards* - Oct 22 2023

web give reasons for supporting or rejecting the following statement upon examination segments of human and gorilla dna responsible for inheritance of hemoglobin should appear almost chemically alike this should be supported as in the experiment 14 out of 17 amino acids appear in the exact same numbers in humans and gorillas purpose

**list three examples of biochemical evidence for evolution** - Feb 14 2023

web identify three geologic theories that influenced the scientific debate on evolution 1 evolution is one of unifying concepts of modern biology explain the mechanisms that lead to evolutionary change describe how scientists use each of the following as evidence for evolution a molecular genetics b comparative biochemistry c the foss

[evidence for evolution article khan academy](#) - Sep 21 2023

web key points evidence for evolution comes from many different areas of biology anatomy species may share similar physical features because the feature was present in a common ancestor homologous structures molecular biology dna and the genetic code reflect the shared ancestry of life dna comparisons can show how related species are

**student work evolution lab 23 biochemical evidence of evolution** - Jun 18 2023

web living environment student work evolution p a g e 3 3 plot the data in table 1 plot a different color symbol for each of the three organisms for horse o for gorilla x for human some points are in the same place simply place the other symbol above or below the first one provide a color key connect the points for each species even though there

*biochemical evidence for evolution answer key answers for* - Jul 07 2022

web biochemical evidence evolution answer key safss msu edu biological evidence of evolution worksheet answer key biochemical evidence evolution answer key is available in our book collection an online access to it is set as public so you can get it instantly our digital library hosts in multiple locations allowing you to get page 1 11

*lab biochemical evidence for evolution answer key* - Oct 10 2022

web lab biochemical evidence for evolution answer key use this data to show how biochemical evidence can be used to support evolution procedure part a amino acid sequence 1 read the amino acid sequences from left to right beginning at the upper right hand corner of figure 39 1 compare the sequences of humans to the sequences of

*biochemical evidence for evolution 26 answer key pdf* - May 05 2022

web 2 biochemical evidence for evolution 26 answer key 2023 01 30 a stream of evidence revealing evolution in action from the actual observation of a species splitting into two to new fossil discoveries to the deciphering of the evidence stored in our genome why evolution is true weaves together the many

free biology biochemical evidence for evolution answer key - Jun 06 2022

web biology biochemical evidence for evolution answer key the big questions evolution aug 06 2023 in the big questions evolution one of the world s leading experts francisco ayala examines key facets of genetics evolution and cloning he uses the most up to date research to answer the 20 key

**biochemical evidence of evolution overview examples expii** - Aug 20 2023

web text 4 how does biochemical evidence support evolution image source by valeri natole there are certain key molecules and biochemical mechanisms shared by incredibly different organisms for example all organisms use dna and or rna for their genetic code

**evidence for evolution article khan academy** - Mar 15 2023

web evolution is a scientific theory and has a bunch of supporting verifiable evidence it is a theory that accurately describes observations and has made predictions that we have been verified gaps in the fossil record do not disprove evolution

This book delves into Repair Manual Scotts Riding Mower. Repair Manual Scotts Riding Mower is a crucial topic that must be grasped by everyone, from students and scholars to the general public. The book will furnish comprehensive and in-depth insights into Repair Manual Scotts Riding Mower, encompassing both the fundamentals and more intricate discussions.

1. The book is structured into several chapters, namely:
  - Chapter 1: Introduction to Repair Manual Scotts Riding Mower
  - Chapter 2: Essential Elements of Repair Manual Scotts Riding Mower
  - Chapter 3: Repair Manual Scotts Riding Mower in Everyday Life
  - Chapter 4: Repair Manual Scotts Riding Mower in Specific Contexts
  - Chapter 5: Conclusion
2. In chapter 1, this book will provide an overview of Repair Manual Scotts Riding Mower. The first chapter will explore what Repair Manual Scotts Riding Mower is, why Repair Manual Scotts Riding Mower is vital, and how to effectively learn about Repair Manual Scotts Riding Mower.
3. In chapter 2, the author will delve into the foundational concepts of Repair Manual Scotts Riding Mower. The second chapter will elucidate the essential principles that need to be understood to grasp Repair Manual Scotts Riding Mower in its entirety.
4. In chapter 3, the author will examine the practical applications of Repair Manual Scotts Riding Mower in daily life. The third chapter will showcase real-world examples of how Repair Manual Scotts Riding Mower can be effectively utilized in everyday scenarios.
5. In chapter 4, the author will scrutinize the relevance of Repair Manual Scotts Riding Mower in specific contexts. The fourth chapter will explore how Repair Manual Scotts Riding Mower is applied in specialized fields, such as education, business, and technology.
6. In chapter 5, the author will draw a conclusion about Repair Manual Scotts Riding Mower. The final chapter will summarize the key points that have been discussed throughout the book.

This book is crafted in an easy-to-understand language and is complemented by engaging illustrations. It is highly recommended for anyone seeking to gain a comprehensive understanding of Repair Manual Scotts Riding Mower.

[https://offsite.creighton.edu/files/virtual-library/Documents/holidays\\_around\\_the\\_world\\_pdf.pdf](https://offsite.creighton.edu/files/virtual-library/Documents/holidays_around_the_world_pdf.pdf)

[https://offsite.creighton.edu/files/virtual-library/Documents/help\\_with\\_pharmacology\\_for\\_nursing\\_students.pdf](https://offsite.creighton.edu/files/virtual-library/Documents/help_with_pharmacology_for_nursing_students.pdf)

[https://offsite.creighton.edu/files/virtual-library/Documents/henry\\_mancini\\_most\\_famous\\_song.pdf](https://offsite.creighton.edu/files/virtual-library/Documents/henry_mancini_most_famous_song.pdf)

## **Table of Contents Repair Manual Scotts Riding Mower**

1. Understanding the eBook Repair Manual Scotts Riding Mower
  - The Rise of Digital Reading Repair Manual Scotts Riding Mower
  - Advantages of eBooks Over Traditional Books
2. Identifying Repair Manual Scotts Riding Mower
  - Exploring Different Genres
  - Considering Fiction vs. Non-Fiction
  - Determining Your Reading Goals
3. Choosing the Right eBook Platform
  - Popular eBook Platforms
  - Features to Look for in an Repair Manual Scotts Riding Mower
  - User-Friendly Interface
4. Exploring eBook Recommendations from Repair Manual Scotts Riding Mower
  - Personalized Recommendations
  - Repair Manual Scotts Riding Mower User Reviews and Ratings
  - Repair Manual Scotts Riding Mower and Bestseller Lists
5. Accessing Repair Manual Scotts Riding Mower Free and Paid eBooks
  - Repair Manual Scotts Riding Mower Public Domain eBooks
  - Repair Manual Scotts Riding Mower eBook Subscription Services
  - Repair Manual Scotts Riding Mower Budget-Friendly Options
6. Navigating Repair Manual Scotts Riding Mower eBook Formats
  - ePub, PDF, MOBI, and More
  - Repair Manual Scotts Riding Mower Compatibility with Devices
  - Repair Manual Scotts Riding Mower Enhanced eBook Features
7. Enhancing Your Reading Experience

- Adjustable Fonts and Text Sizes of Repair Manual Scotts Riding Mower
  - Highlighting and Note-Taking Repair Manual Scotts Riding Mower
  - Interactive Elements Repair Manual Scotts Riding Mower
8. Staying Engaged with Repair Manual Scotts Riding Mower
    - Joining Online Reading Communities
    - Participating in Virtual Book Clubs
    - Following Authors and Publishers Repair Manual Scotts Riding Mower
  9. Balancing eBooks and Physical Books Repair Manual Scotts Riding Mower
    - Benefits of a Digital Library
    - Creating a Diverse Reading Collection Repair Manual Scotts Riding Mower
  10. Overcoming Reading Challenges
    - Dealing with Digital Eye Strain
    - Minimizing Distractions
    - Managing Screen Time
  11. Cultivating a Reading Routine Repair Manual Scotts Riding Mower
    - Setting Reading Goals Repair Manual Scotts Riding Mower
    - Carving Out Dedicated Reading Time
  12. Sourcing Reliable Information of Repair Manual Scotts Riding Mower
    - Fact-Checking eBook Content of Repair Manual Scotts Riding Mower
    - Distinguishing Credible Sources
  13. Promoting Lifelong Learning
    - Utilizing eBooks for Skill Development
    - Exploring Educational eBooks
  14. Embracing eBook Trends
    - Integration of Multimedia Elements
    - Interactive and Gamified eBooks

### **Repair Manual Scotts Riding Mower Introduction**

Repair Manual Scotts Riding Mower Offers over 60,000 free eBooks, including many classics that are in the public domain. Open Library: Provides access to over 1 million free eBooks, including classic literature and contemporary works. Repair

Manual Scotts Riding Mower Offers a vast collection of books, some of which are available for free as PDF downloads, particularly older books in the public domain. Repair Manual Scotts Riding Mower : This website hosts a vast collection of scientific articles, books, and textbooks. While it operates in a legal gray area due to copyright issues, its a popular resource for finding various publications. Internet Archive for Repair Manual Scotts Riding Mower : Has an extensive collection of digital content, including books, articles, videos, and more. It has a massive library of free downloadable books. Free-eBooks Repair Manual Scotts Riding Mower Offers a diverse range of free eBooks across various genres. Repair Manual Scotts Riding Mower Focuses mainly on educational books, textbooks, and business books. It offers free PDF downloads for educational purposes. Repair Manual Scotts Riding Mower Provides a large selection of free eBooks in different genres, which are available for download in various formats, including PDF. Finding specific Repair Manual Scotts Riding Mower, especially related to Repair Manual Scotts Riding Mower, might be challenging as theyre often artistic creations rather than practical blueprints. However, you can explore the following steps to search for or create your own Online Searches: Look for websites, forums, or blogs dedicated to Repair Manual Scotts Riding Mower, Sometimes enthusiasts share their designs or concepts in PDF format. Books and Magazines Some Repair Manual Scotts Riding Mower books or magazines might include. Look for these in online stores or libraries. Remember that while Repair Manual Scotts Riding Mower, sharing copyrighted material without permission is not legal. Always ensure youre either creating your own or obtaining them from legitimate sources that allow sharing and downloading. Library Check if your local library offers eBook lending services. Many libraries have digital catalogs where you can borrow Repair Manual Scotts Riding Mower eBooks for free, including popular titles. Online Retailers: Websites like Amazon, Google Books, or Apple Books often sell eBooks. Sometimes, authors or publishers offer promotions or free periods for certain books. Authors Website Occasionally, authors provide excerpts or short stories for free on their websites. While this might not be the Repair Manual Scotts Riding Mower full book , it can give you a taste of the authors writing style. Subscription Services Platforms like Kindle Unlimited or Scribd offer subscription-based access to a wide range of Repair Manual Scotts Riding Mower eBooks, including some popular titles.

### FAQs About Repair Manual Scotts Riding Mower Books

1. Where can I buy Repair Manual Scotts Riding Mower books? Bookstores: Physical bookstores like Barnes & Noble, Waterstones, and independent local stores. Online Retailers: Amazon, Book Depository, and various online bookstores offer a wide range of books in physical and digital formats.
2. What are the different book formats available? Hardcover: Sturdy and durable, usually more expensive. Paperback:



- Cheaper, lighter, and more portable than hardcovers. E-books: Digital books available for e-readers like Kindle or software like Apple Books, Kindle, and Google Play Books.
3. How do I choose a Repair Manual Scotts Riding Mower book to read? Genres: Consider the genre you enjoy (fiction, non-fiction, mystery, sci-fi, etc.). Recommendations: Ask friends, join book clubs, or explore online reviews and recommendations. Author: If you like a particular author, you might enjoy more of their work.
  4. How do I take care of Repair Manual Scotts Riding Mower books? Storage: Keep them away from direct sunlight and in a dry environment. Handling: Avoid folding pages, use bookmarks, and handle them with clean hands. Cleaning: Gently dust the covers and pages occasionally.
  5. Can I borrow books without buying them? Public Libraries: Local libraries offer a wide range of books for borrowing. Book Swaps: Community book exchanges or online platforms where people exchange books.
  6. How can I track my reading progress or manage my book collection? Book Tracking Apps: Goodreads, LibraryThing, and Book Catalogue are popular apps for tracking your reading progress and managing book collections. Spreadsheets: You can create your own spreadsheet to track books read, ratings, and other details.
  7. What are Repair Manual Scotts Riding Mower audiobooks, and where can I find them? Audiobooks: Audio recordings of books, perfect for listening while commuting or multitasking. Platforms: Audible, LibriVox, and Google Play Books offer a wide selection of audiobooks.
  8. How do I support authors or the book industry? Buy Books: Purchase books from authors or independent bookstores. Reviews: Leave reviews on platforms like Goodreads or Amazon. Promotion: Share your favorite books on social media or recommend them to friends.
  9. Are there book clubs or reading communities I can join? Local Clubs: Check for local book clubs in libraries or community centers. Online Communities: Platforms like Goodreads have virtual book clubs and discussion groups.
  10. Can I read Repair Manual Scotts Riding Mower books for free? Public Domain Books: Many classic books are available for free as they're in the public domain. Free E-books: Some websites offer free e-books legally, like Project Gutenberg or Open Library.

### **Find Repair Manual Scotts Riding Mower :**

[holidays around the world pdf](#)

[help with pharmacology for nursing students](#)

[henry mancini most famous song](#)

[heggerty phonemic awareness program](#)

**holy text of sikhism**

[heroes of olympus pdf](#)

[hatz diesel parts](#)

[hermano sol hermana luna](#)

[history of aviation book](#)

[hmh science dimensions cells and heredity answer key](#)

**healthy african recipes**

**her soul to take book 3**

*holiday hankering farmhouse*

**harry potter and the prisoner of azkaban free pdf**

**holy spirit perdido**

**Repair Manual Scotts Riding Mower :**