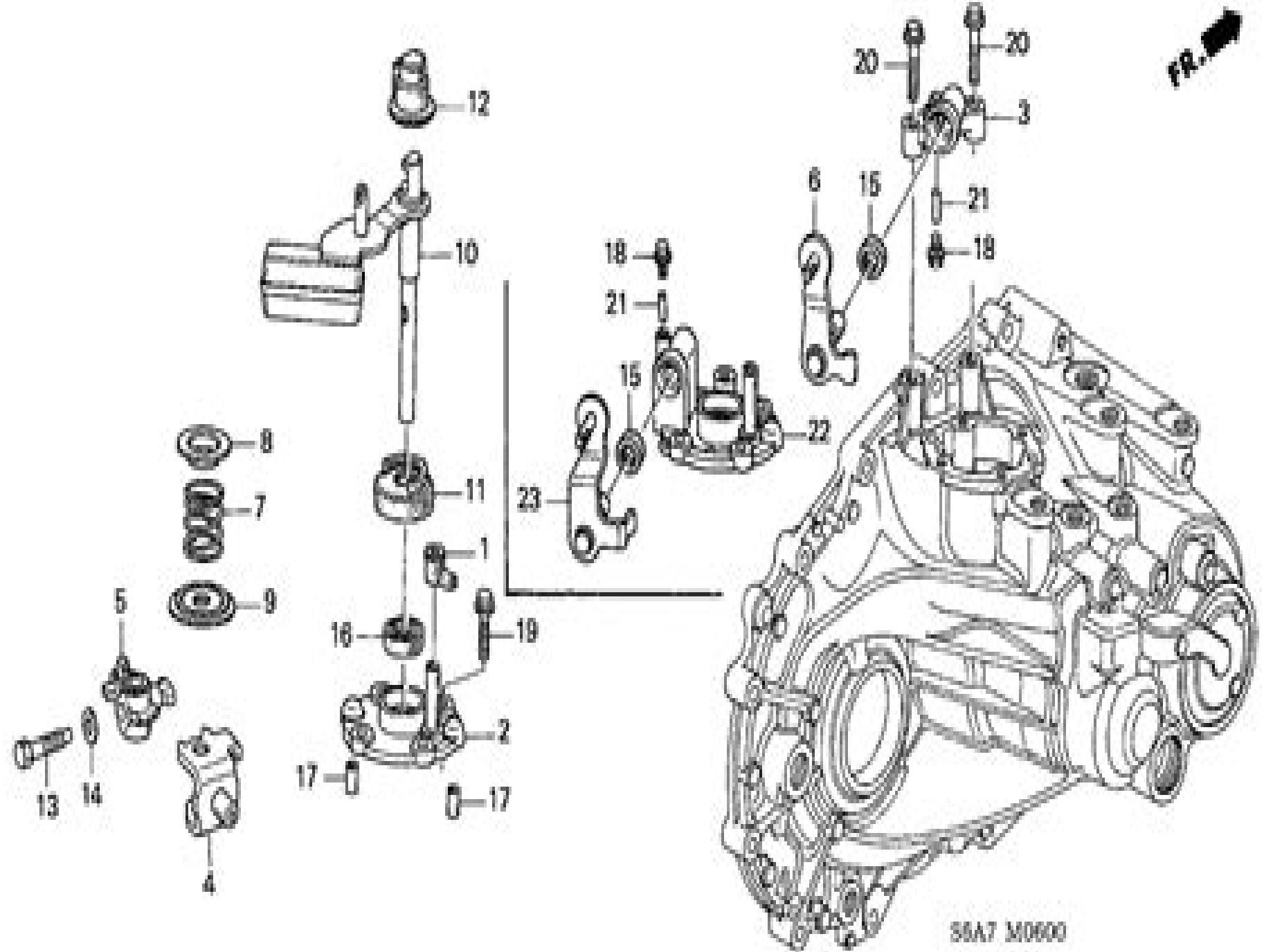


FR.



55A7 M0600

# 2001 Honda Civic Ex Manual Transmission Problems

**Mark Storey**



## 2001 Honda Civic Ex Manual Transmission Problems

Honda Civic 2001 Thru 2010 & CR-V 2002 Thru 2009 John Haynes, 2010-09-01 Haynes manuals are written specifically for the do it yourself yet are complete enough to be used by professional mechanics Since 1960 Haynes has produced manuals written from hands on experience based on a vehicle teardown with hundreds of photos and illustrations making Haynes the world leader in automotive repair information *How To Rebuild and Modify Your Manual Transmission* Robert Bowen, This resource explains how to rebuild and modify transmissions from both rear and front wheel drive cars It explains the principles behind the workings of all manual transmissions and helps readers understand what they need to do and know to rebuild their own transmissions Includes how to determine what parts to replace how and why to replace certain seals spacers springs forks and other parts and where to find and how to measure the specifications for each particular transmission Broken Odyssey Noel Carroll, 2003-08-08 Carl McCormic longs to see Cuba the land of his mother's birth Opportunity arrives in a beautiful young woman who only recently fled the island Anger smoldering within her she wants him to smuggle her back in to destroy the powerful father she left behind **Honda Civic, 1984-1991** John Haynes, 1987-09-13 Haynes disassembles every subject vehicle and documents every step with thorough instructions and clear photos Haynes repair manuals are used by the pros but written for the do it yourself *Game Theory* Steve Tadelis, 2013-01-06 The definitive introduction to game theory This comprehensive textbook introduces readers to the principal ideas and applications of game theory in a style that combines rigor with accessibility Steven Tadelis begins with a concise description of rational decision making and goes on to discuss strategic and extensive form games with complete information Bayesian games and extensive form games with imperfect information He covers a host of topics including multistage and repeated games bargaining theory auctions rent seeking games mechanism design signaling games reputation building and information transmission games Unlike other books on game theory this one begins with the idea of rationality and explores its implications for multiperson decision problems through concepts like dominated strategies and rationalizability Only then does it present the subject of Nash equilibrium and its derivatives Game Theory is the ideal textbook for advanced undergraduate and beginning graduate students Throughout concepts and methods are explained using real world examples backed by precise analytic material The book features many important applications to economics and political science as well as numerous exercises that focus on how to formalize informal situations and then analyze them Introduces the core ideas and applications of game theory Covers static and dynamic games with complete and incomplete information Features a variety of examples applications and exercises Topics include repeated games bargaining auctions signaling reputation and information transmission Ideal for advanced undergraduate and beginning graduate students Complete solutions available to teachers and selected solutions available to students **Good Economics for Hard Times** Abhijit V. Banerjee, Esther

Duflo,2019-11-12 The winners of the Nobel Prize show how economics when done right can help us solve the thorniest social and political problems of our day Figuring out how to deal with today s critical economic problems is perhaps the great challenge of our time Much greater than space travel or perhaps even the next revolutionary medical breakthrough what is at stake is the whole idea of the good life as we have known it Immigration and inequality globalization and technological disruption slowing growth and accelerating climate change these are sources of great anxiety across the world from New Delhi and Dakar to Paris and Washington DC The resources to address these challenges are there what we lack are ideas that will help us jump the wall of disagreement and distrust that divides us If we succeed history will remember our era with gratitude if we fail the potential losses are incalculable In this revolutionary book renowned MIT economists Abhijit V Banerjee and Esther Duflo take on this challenge building on cutting edge research in economics explained with lucidity and grace Original provocative and urgent Good Economics for Hard Times makes a persuasive case for an intelligent interventionism and a society built on compassion and respect It is an extraordinary achievement one that shines a light to help us appreciate and understand our precariously balanced world

The 2030 Spike Colin Mason,2013-06-17 The clock is relentlessly ticking Our world teeters on a knife edge between a peaceful and prosperous future for all and a dark winter of death and destruction that threatens to smother the light of civilization Within 30 years in the 2030 decade six powerful drivers will converge with unprecedented force in a statistical spike that could tear humanity apart and plunge the world into a new Dark Age Depleted fuel supplies massive population growth poverty global climate change famine growing water shortages and international lawlessness are on a crash course with potentially catastrophic consequences In the face of both doomsaying and denial over the state of our world Colin Mason cuts through the rhetoric and reams of conflicting data to muster the evidence to illustrate a broad picture of the world as it is and our possible futures Ultimately his message is clear we must act decisively collectively and immediately to alter the trajectory of humanity away from catastrophe Offering over 100 priorities for immediate action The 2030 Spike serves as a guidebook for humanity through the treacherous minefields and wastelands ahead to a bright peaceful and prosperous future in which all humans have the opportunity to thrive and build a better civilization This book is powerful and essential reading for all people concerned with the future of humanity and planet earth

Muncie 4-Speed Transmissions Paul Cangialosi,2014-10-15 The Muncie 4 speeds M20 M21 and M22 are some of the most popular manual transmissions ever made and continue to be incredibly popular The Muncie was the top high performance manual transmission GM offered in its muscle cars of the 60s and early 70s It was installed in the Camaro Chevelle Buick GS Pontiac GTO Olds Cutlass and many other classic cars Many owners want to retain the original transmission in their classic cars to maintain its value Transmission expert and veteran author Paul Cangialosi has created an indispensable reference to Muncie 4 speeds that guides you through each crucial stage of the rebuild process Comprehensive ID information is provided so you can positively identify the cases shafts and related parts It discusses available models parts

options and gearbox cases Most important it shows how to completely disassemble the gearbox identify wear and damage select the best parts and complete the rebuild It also explains how to choose the ideal gear ratio for a particular application Various high performance and racing setups are also shown including essential modifications gun drilling the shafts cutting down the gears to remove weight and achieving race specific clearances Muncie 4 speeds need rebuilding after many miles of service and extreme use In addition when a muscle car owner builds a high performance engine that far exceeds stock horsepower a stronger high performance transmission must be built to accommodate this torque and horsepower increase No other book goes into this much detail on the identification of the Muncie 4 speed available parts selection of gear ratios and the rebuild process

**Making Choices about Hydrogen** Lynn Krieger Mytelka, Grant Boyle, 2008 Since the mid 1990s the emergence of a hydrogen economy and the speed with which it will arrive have been vigorously debated As a disruptive technology dominant designs for the production storage and distribution of hydrogen have not yet been established Neither have performance characteristics been achieved to compete with the existing combustion engine though the efficiency and durability of hydrogen fuel cells are improving This publication highlights the uncertainties involved in making choices about hydrogen and fuel cells in planning the development policies on national energy environment and transport sector Publisher s description

*Theory of Ground Vehicles* J. Y. Wong, 2001-03-20 An updated edition of the classic reference on the dynamics of road and off road vehicles As we enter a new millennium the vehicle industry faces greater challenges than ever before as it strives to meet the increasing demand for safer environmentally friendlier more energy efficient and lower emissions products *Theory of Ground Vehicles Third Edition* gives aspiring and practicing engineers a fundamental understanding of the critical factors affecting the performance handling and ride essential to the development and design of ground vehicles that meet these requirements As in previous editions this book focuses on applying engineering principles to the analysis of vehicle behavior A large number of practical examples and problems are included throughout to help readers bridge the gap between theory and practice Covering a wide range of topics concerning the dynamics of road and off road vehicles this Third Edition is filled with up to date information including The Magic Formula for characterizing pneumatic tire behavior from test data for vehicle handling simulations Computer aided methods for performance and design evaluation of off road vehicles based on the author s own research Updated data on road vehicle transmissions and operating fuel economy Fundamentals of road vehicle stability control Optimization of the performance of four wheel drive off road vehicles and experimental substantiation based on the author s own investigations A new theory on skid steering of tracked vehicles developed by the author

*Electric and Hybrid Vehicles* Amir Khajepour, M. Saber Fallah, Avesta Goodarzi, 2014-03-05 An advanced level introductory book covering fundamental aspects design and dynamics of electric and hybrid electric vehicles There is significant demand for an understanding of the fundamentals technologies and design of electric and hybrid electric vehicles and their components from researchers engineers and graduate students Although there is a good body of work in

the literature there is still a great need for electric and hybrid vehicle teaching materials

**Electric and Hybrid Vehicles Technologies Modeling and Control A Mechatronic Approach** is based on the authors current research in vehicle systems and will include chapters on vehicle propulsion systems the fundamentals of vehicle dynamics EV and HEV technologies chassis systems steering control systems and state parameter and force estimations The book is highly illustrated and examples will be given throughout the book based on real applications and challenges in the automotive industry Designed to help a new generation of engineers needing to master the principles of and further advances in hybrid vehicle technology Includes examples of real applications and challenges in the automotive industry with problems and solutions Takes a mechatronics approach to the study of electric and hybrid electric vehicles appealing to mechanical and electrical engineering interests Responds to the increase in demand of universities offering courses in newer electric vehicle technologies

**Lemon-Aid Used Cars and Trucks 2011-2012** Phil Edmonston, 2011-04-25 As Toyota skids into an ocean of problems and uncertainty continues in the U S automotive industry Lemon Aid Used Cars and Trucks 2011-2012 shows buyers how to pick the cheapest and most reliable vehicles from the past 30 years Lemon Aid guides are unlike any other car and truck books on the market Phil Edmonston Canada s automotive Dr Phil for 40 years pulls no punches Like five books in one Lemon Aid Used Cars and Trucks is an expos of car scams and gas consumption lies a do it yourself service manual an independent guide that covers lemons and collectibles an archive of secret service bulletins granting free repairs and a legal primer that even lawyers cant beat Phil delivers the goods on free fixes for Chrysler Ford and GM engine transmission brake and paint defects lets you know about Corvette and Mustang tops that fly off gives the lowdown on Honda Hyundai and Toyota engines and transmissions and provides the latest information on computer module glitches

[The Social Construction of Technological Systems](#) Wiebe E. Bijker, Thomas Parke Hughes, Trevor J. Pinch, Trevor Pinch, 1989 The impact of technology on society is clear and unmistakable The influence of society on technology is more subtle The 13 essays in this book have been written by a diverse group of scholars united by a common interest in creating a new field the sociology of technology They draw on a wide array of case studies from cooking stoves to missile systems from 15th century Portugal to today s AI labs to outline an original research program based on a synthesis of ideas from the social studies of science and the history of technology Together they affirm the need for a study of technology that gives equal weight to technical social economic and political questions Back cover

*Honda Engine Swaps* Aaron Bonk, 2004-08-30 When it comes to their personal transportation today s youth have shunned the large heavy performance cars of their parents generation and instead embraced what has become known as the sport compact smaller lightweight modern sports cars of predominantly Japanese manufacture These cars respond well to performance modifications due to their light weight and technology laden high revving engines And by far the most sought after and modified cars are the Hondas and Acuras of the mid 80s to the present An extremely popular method of improving vehicle performance is a process known as engine swapping Engine swapping consists of removing a

more powerful engine from a better equipped or more modern vehicle and installing it into your own It is one of the most efficient and affordable methods of improving your vehicle s performance This book covers in detail all the most popular performance swaps for Honda Civic Accord and Prelude as well as the Acura Integra It includes vital information on electric fit and drivetrain compatibility design considerations step by step instruction and costs This book is must have for the Honda enthusiast Honda Civic Owners Workshop Manual Mark Storey,2015 **Ethics for the Information Age** Michael Jay Quinn,2006 Widely praised for its balanced treatment of computer ethics Ethics for the Information Age offers a modern presentation of the moral controversies surrounding information technology Topics such as privacy and intellectual property are explored through multiple ethical theories encouraging readers to think critically about these issues and to make their own ethical decisions **Business Planning for Enduring Social Impact** Andrew Wolk,Kelley Kreitz,Root Cause,2008 **AAA New Car and Truck Buying Guide** AAA Publishing,1955 Thoroughly revised and updated for 2001 the guide that has helped thousands of car and truck buyers make the right decision is now better than ever Includes a listing of AAA Top Car Award winners for the year fuel economy reports and sound advice on buy vs lease Full color photos throughout **Federal Register** ,1977 *Vehicle-dependent Expedition Guide* Tom Sheppard,1998

*bahu ne apne pati aur sashur ke samne paada youtube* - Dec 26 2021

web sep 17 2021 *bahu ne apne pati aur sashur ke samne paada paad video amazing short comedy video*

*sasur ne bahu ko jabarjast choda by sameela ki jawani* - Apr 10 2023

web jul 3 2021 *sasur ne bahu ko jabarjast choda like comment*

**pati ke samne youtube** - Feb 08 2023

web sep 15 2023 *about press copyright contact us creators advertise developers terms privacy policy safety how youtube*

*works test new features nfl sunday ticket press copyright*

*patni porn pati patni pati patni aur kaamwali videos* - Mar 09 2023

web we have 14 videos with patni pati patni pati patni aur kaamwali pati patni aur kaamwali ep pati patni aur ne apne chote bhai ki hot patni ko choda ko bhaiya ji ne apne

**pati kelime kökeni kelimesinin anlamı etimoloji** - Sep 03 2022

web ek bilgi ayak yürümek anlamına gelen ve pat sembolik sesiyle yapılan sözcükler birçok dilde birbirinden bağımsız olarak mevcuttur karşı Fransızca patte hayvan ayağı paça

*patni pati ke liye full song hum aapke dil mein rehte hain* - Nov 05 2022

web may 30 2011 *song patni pati ke liye film hum aapke dil mein rehte hain singer sonu nigam hema sardesai rahul seth lyricist sameer music director anu malik*





web pati ne demek kedi köpek vb hayvanların ön ayağı küçük çocuk ayağı yunanca bir organ isminin arkasına eklendiğinde o organın hastalığını belirten son ek suffer endure

**mera anubhav mere pati ka** [] [] [] **18 only** - Apr 29 2022

web 50 lakh se mere pati ka sara problem solve ho jayega yeh sochthey huwey maine apni saree thighs taak upar utha di do do anjaan murdo ke samne dilip aur upar uthao mujhe

**tureng pati türkçe İngilizce sözlük** - Jul 01 2022

web pati çekmek peel out f 3 genel kazmak çukur açmak veya parçalamak için pençe ya da pati kullanmak scratch f 4 genel armada başı ön pati üzerinde yer alarak uzanan

**mere bete ne mujhe choda 1 sexykahani32** - Mar 29 2022

web jan 7 2018 mere bete ne mujhe choda 1 maa ne bete se chudawaya bete ne maa aur behen ko sath me choda mera naam renu hai or mai 2 bachon ki maa punjab mei rehti

**discover the finest châteaux of the bordeaux region winelife** - Apr 14 2023

web jul 31 2023 the prestigious châteaux that are members of the union des grands crus de bordeaux present themselves and their wines of vintage 2019 in beautiful informative short videos from pauillac to graves and from sauternes to saint Émilion grand cru

**stunning châteaux in the bordeaux region the greatest** - Jan 11 2023

web visitors to château sainte barbe a charterhouse on the outskirts of bordeaux and on the banks of the garonne and built by the architect who designed the grand théâtre in bordeaux can explore its 30 hectares of vines and aoc wines close by and within bordeaux s city limits stands château les carmes haut brion with its

*the 5 premiers grands crus chateaux en 1855 of bordeaux* - Apr 02 2022

web may 8 2012 the d2 highway from bordeaux city to the bas medoc in the north has all 5 of the premiers grands crus chateaux en 1855 arguably among the most prestigious wine producers in the world on the route first chateau haut brion right in the suburbs of bordeaux city in pessac then chateau margaux chateau latour chateau mouton

**the grand châteaux of bordeaux gekartonneerd fnac** - Dec 30 2021

web the grand châteaux of bordeaux is your complete guide to the most famous wine growing region in the world discover outstanding vineyards and their wines in spectacular photos everything from margaux and mouton rothschild to gruaud larose and latour

**bordeaux wine official classification of 1855 wikipedia** - Sep 07 2022

web château grand puy ducasse château cantemerle château d yquem château guiraud château doisy daëne

**the grand châteaux of bordeaux amazon com** - Feb 12 2023

web mar 16 2015 the grand chateaux of bordeaux is your complete guide to the most famous wine growing region in the world discover outstanding vineyards and their wines in spectacular photos everything from margaux and mouton rothschild to

*le top des grands châteaux de bordeaux bordeaux wine trails* - Jul 05 2022

web château d yquem l histoire du château d yquem est profondément liée à celle du vin bordelais il s agit en effet du premier des châteaux de bordeaux à être nommé premier cru supérieur à l occasion de la célèbre classification de 1855

**the best bordeaux chateaux to visit for unique wine tasting** - May 15 2023

web at château kirwan in bordeaux s margaux appellation famous for grand cru classé châteaux you can taste bordeaux vintages as old as a vintage from 1967 on the vintage tour this unique experience allows you to choose from

*the grand châteaux of bordeaux bordeaux legendare chateaux* - Oct 08 2022

web the grand châteaux of bordeaux is your complete guide to the most famous wine growing region in the world discover outstanding vineyards and their wines in spectacular photos everything from margaux and mouton rothschild to graud larose and latour

*the great chateaux of bordeaux bayview magazine* - Jun 04 2022

web if you are serious about wine you must eventually come to terms with the great chateaux of bordeaux since roman times bordeaux wine has upheld its international reputation when henry ii of england married eleanor of aquitaine in 1152 the entire bordeaux region came into the english realm and the english have been in love with bordeaux

*the grand châteaux of bordeaux amazon de* - Nov 09 2022

web the grand châteaux of bordeaux frenzel ralf amazon de bücher bücher film kunst kultur fotografie neu 30 89

preisangaben inkl ust abhängig von der lieferadresse kann die ust an der kasse variieren weitere informationen gratis

lieferung 14 15 juni details lieferadresse wählen nur noch 3 auf lager menge in

**the most prestigious châteaux in bordeaux cru wine fine** - Jul 17 2023

web apr 1 2021 the premier grand crus of bordeaux include five of the most recognised and famed names in wine with château lafite rothschild château latour château margaux château haut brion and château mouton rothschild all five of these estates are from the left bank of bordeaux and continue to hold on to their position as world leading wineries

*the grand châteaux of bordeaux hardcover amazon co uk* - Dec 10 2022

web may 27 2022 the grand châteaux of bordeaux is your complete guide to the most famous wine growing region in the world discover outstanding vineyards and their wines in spectacular photos everything from margaux and mouton rothschild to

**the world of bordeaux châteaux from first growth to** - May 03 2022

web château bordeaux is a type of french red wine that is made from a blend of grape varieties predominantly cabernet sauvignon cabernet franc and merlot this blend is known as a bordeaux blend and is produced in the bordeaux region of southwestern france

*12 châteaux you must visit in bordeaux wine country* - Jun 16 2023

web aug 15 2018 la croizille is a family owned cha teau on top of a hill in the heart of the vineyard of saint e milion from its tasting room overhanging the valley you can enjoy exceptional views its modern cellar offers a different take on the wine of bordeaux chateaulacroizille com cha teau pe desclaux cha teau pe desclaux

*the most beautiful châteaux of bordeaux* - Aug 18 2023

web lined with magnificent châteaux the bordeaux wine routes are worth the detour whether medieval renaissance gothic classical or contemporary the region is home to estates from all architectural styles and periods here is our selection of the most beautiful wine chateaux of bordeaux

*the grand châteaux of bordeaux 9783832798079 abebooks* - Jan 31 2022

web the grand chateaux of bordeaux is your complete guide to the most famous wine growing region in the world discover outstanding vineyards and their wines in spectacular photos everything from margaux and mouton rothschild to gruaud larose and latour take an exciting look behind the walls of the chateaux where these storied vintages are

*top 9 beautiful chateaux in bordeaux oliver s travels* - Mar 01 2022

web 1 chateau grand cru with exquisite interiors a heated pool surrounded by lush vineyards and even a billiard table chateau grand cru will treat you to fine french living the château produces a well known grand cru and there are many other incredible vineyards to visit across the region

*our top 10 must see châteaux in bordeaux wine tour in france* - Aug 06 2022

web château pape clément grand cru graves classified appellation pessac léognan located in pessac near bordeaux owes its name to its most famous owner pope clement v the very famous château pape clément is now owned by bernard magrez an entrepreneur passionate about wine that deployed every means to ensure the large and

**the grand châteaux of bordeaux luxurytravelmagazine com** - Mar 13 2023

web mar 27 2015 the grand chateaux of bordeaux is your complete guide to the most famous wine growing region in the world discover outstanding vineyards and their wines in spectacular photos everything from margaux and mouton rothschild to gruaud larose and latour take an exciting look behind the walls of the châteaux where these storied

**quantitative aptitude by r s aggarwal s chand publication for** - Oct 24 2021

2022 latest rs aggarwal reasoning book pdf - May 11 2023

web march 20 2023 by besk2 com rs aggarwal quantitative aptitude pdf is ampere fantastic book for how for a variety of competitive examinations including ibps bank po crp

[rs aggarwal reasoning rs agarwal free download borrow](#) - Jul 13 2023

web jun 16 2022 quantitative aptitude for competitive examinations by r s aggarwal by r s aggarwal z lib org 1 rs sharma free download borrow and streaming

*rs aggarwal quantitative aptitude pdf latest edition 2023* - Jul 01 2022

web the reasoning is a compulsory paper you can t neglect so make sure you are ready to improve your verbal and non verbal reasoning skills each question values 1 marks

**5555 aptitude and reasoning questions answers with** - Jan 27 2022

web a modern approach to verbal non verbal reasoning all government and entrance exams banking ssc railway police civil service etc 46 videos 500 solved

**rs aggarwal solutions for class 6 7 8 9 maths study** - Feb 08 2023

web questions of multiple patterns asked in various exams the verbal reasoning section covers analogy clocks calendar puzzles coding decoding classification number

[quantitative aptitude for competitive examinations by r s](#) - Jun 12 2023

web free pdf download of rs aggarwal solutions for class 11 maths chapter 29 mathematical reasoning solved by expert teachers on vedantu com all chapter 29 mathematical

[quantitative aptitude from r s agrawal average upsc fever](#) - Sep 03 2022

web dec 7 2021 key feature rs aggarwal quantitative aptitude price comprehensive with more than 5500 questions with answers and solutions a hallmark of quantitative

[aptitude reasoning questions answers rs aggarwal pdf](#) - Feb 25 2022

web questions of reasoning ability with answers q 1 four of the following five are alike in a certain way and so form a group which one does not belong to that group direction in

**rs aggarwal quantitative aptitude fully solved s v educations** - May 31 2022

web test questions of basic quantitative aptitude logical reasoning with tricks and tips 5555 aptitude and reasoning questions answers with broadly speaking there are three

*reasoning book by rs aggarwal dev library* - Mar 29 2022

web jan 1 2020 about the book this revised edition of a modern approach to verbal non verbal reasoning while retaining the key strengths and structure of the previous

*books by r s aggarwal author of quantitative aptitude* - Oct 04 2022

web jan 27 2023 updated with latest examination patterns as well as questions for practice the book is divided into 2 segments arithmetical ability and data interpretation this [reasoning ability questions and answers for competitive exams](#) - Nov 24 2021

[solution manual of quantitative aptitude for competitive examinations by r s aggarwal](#) - Aug 14 2023

web may 28 2020 rs aggarwal reasoning by rs agarwal topics logic reasoning collection opensource language english this book is on logic and reasoning

**rs agarwal logic reasoning quantitative aptitude verbal** - Dec 26 2021

web jan 25 2023 logical reasoning assesses a candidate s ability to react to logical situations generally logical reasoning aptitude questions include number and letter series

[aptitude questions and answers pdf rs aggarwal pdf course hero](#) - Jan 07 2023

web r s aggarwal has 118 books on goodreads with 10493 ratings r s aggarwal s most popular book is quantitative aptitude **quantitative aptitude from r s agrawal percentage upsc** - Apr 29 2022

web aptitude is an acquired talent or skill with an ability to perform well in any specific area general aptitude and reasoning solved questions with explanation for competitive

*rs aggarwal class 11 solutions chapter 29 mathematical* - Apr 10 2023

web january 18 19 2015 ibm aptitude questions and answers 2012 pdf ibm selection and for quantitative aptitude be thorough with rs aggarwal book download rs agarwal

**cbse rs aggarwal questions aptitude test aggarwal book** - Dec 06 2022

web total money spent 9x rs 9 13 rs 117 q 7 of the three numbers second is twice the first and is also thrice the third if the average of the three numbers is 44 find the largest

**rs aggarwal quantitative aptitude pdf free download latest** - Mar 09 2023

web cbse rs aggarwal questions request updated at 26 04 2023 cbse ls aggarwal questions recommended questions 9 videos **top 20 logical reasoning aptitude questions getmyuni** - Sep 22 2021

**aptitude reasoning questions answers rs aggarwal arihant** - Nov 05 2022

web apr 20 2023 rs aggarwal quantitative aptitude pdf is an paragon book for preparing for competitive examinations like ibps bank po crp nabard upsc ssc chsl

[rs aggarwal quantitative aptitude pdf free download in english](#) - Aug 02 2022

web number of questions attempted correctly 70 of 10 40 of 30 60 of 35 7 12 21 45 questions to be answered correctly for 60

grade 60 of 75 45 therefore

As recognized, adventure as skillfully as experience about lesson, amusement, as with ease as accord can be gotten by just checking out a ebook **2001 Honda Civic Ex Manual Transmission Problems** along with it is not directly done, you could understand even more approaching this life, all but the world.

We give you this proper as without difficulty as simple quirk to get those all. We come up with the money for 2001 Honda Civic Ex Manual Transmission Problems and numerous ebook collections from fictions to scientific research in any way. along with them is this 2001 Honda Civic Ex Manual Transmission Problems that can be your partner.

[https://offsite.creighton.edu/files/virtual-library/Documents/lSAT\\_powerscore\\_bible.pdf](https://offsite.creighton.edu/files/virtual-library/Documents/lSAT_powerscore_bible.pdf)

[https://offsite.creighton.edu/files/virtual-library/Documents/los\\_valientes\\_motorcycle\\_club.pdf](https://offsite.creighton.edu/files/virtual-library/Documents/los_valientes_motorcycle_club.pdf)

[https://offsite.creighton.edu/files/virtual-library/Documents/low\\_voltage\\_lighting\\_wire\\_size\\_calculator.pdf](https://offsite.creighton.edu/files/virtual-library/Documents/low_voltage_lighting_wire_size_calculator.pdf)

## **Table of Contents 2001 Honda Civic Ex Manual Transmission Problems**

1. Understanding the eBook 2001 Honda Civic Ex Manual Transmission Problems
  - The Rise of Digital Reading 2001 Honda Civic Ex Manual Transmission Problems
  - Advantages of eBooks Over Traditional Books
2. Identifying 2001 Honda Civic Ex Manual Transmission Problems
  - Exploring Different Genres
  - Considering Fiction vs. Non-Fiction
  - Determining Your Reading Goals
3. Choosing the Right eBook Platform
  - Popular eBook Platforms
  - Features to Look for in an 2001 Honda Civic Ex Manual Transmission Problems

- User-Friendly Interface
- 4. Exploring eBook Recommendations from 2001 Honda Civic Ex Manual Transmission Problems
  - Personalized Recommendations
  - 2001 Honda Civic Ex Manual Transmission Problems User Reviews and Ratings
  - 2001 Honda Civic Ex Manual Transmission Problems and Bestseller Lists
- 5. Accessing 2001 Honda Civic Ex Manual Transmission Problems Free and Paid eBooks
  - 2001 Honda Civic Ex Manual Transmission Problems Public Domain eBooks
  - 2001 Honda Civic Ex Manual Transmission Problems eBook Subscription Services
  - 2001 Honda Civic Ex Manual Transmission Problems Budget-Friendly Options
- 6. Navigating 2001 Honda Civic Ex Manual Transmission Problems eBook Formats
  - ePub, PDF, MOBI, and More
  - 2001 Honda Civic Ex Manual Transmission Problems Compatibility with Devices
  - 2001 Honda Civic Ex Manual Transmission Problems Enhanced eBook Features
- 7. Enhancing Your Reading Experience
  - Adjustable Fonts and Text Sizes of 2001 Honda Civic Ex Manual Transmission Problems
  - Highlighting and Note-Taking 2001 Honda Civic Ex Manual Transmission Problems
  - Interactive Elements 2001 Honda Civic Ex Manual Transmission Problems
- 8. Staying Engaged with 2001 Honda Civic Ex Manual Transmission Problems
  - Joining Online Reading Communities
  - Participating in Virtual Book Clubs
  - Following Authors and Publishers 2001 Honda Civic Ex Manual Transmission Problems
- 9. Balancing eBooks and Physical Books 2001 Honda Civic Ex Manual Transmission Problems
  - Benefits of a Digital Library
  - Creating a Diverse Reading Collection 2001 Honda Civic Ex Manual Transmission Problems
- 10. Overcoming Reading Challenges
  - Dealing with Digital Eye Strain
  - Minimizing Distractions
  - Managing Screen Time
- 11. Cultivating a Reading Routine 2001 Honda Civic Ex Manual Transmission Problems
  - Setting Reading Goals 2001 Honda Civic Ex Manual Transmission Problems



- Carving Out Dedicated Reading Time
- 12. Sourcing Reliable Information of 2001 Honda Civic Ex Manual Transmission Problems
  - Fact-Checking eBook Content of 2001 Honda Civic Ex Manual Transmission Problems
  - Distinguishing Credible Sources
- 13. Promoting Lifelong Learning
  - Utilizing eBooks for Skill Development
  - Exploring Educational eBooks
- 14. Embracing eBook Trends
  - Integration of Multimedia Elements
  - Interactive and Gamified eBooks

### **2001 Honda Civic Ex Manual Transmission Problems Introduction**

In today's digital age, the availability of 2001 Honda Civic Ex Manual Transmission Problems books and manuals for download has revolutionized the way we access information. Gone are the days of physically flipping through pages and carrying heavy textbooks or manuals. With just a few clicks, we can now access a wealth of knowledge from the comfort of our own homes or on the go. This article will explore the advantages of 2001 Honda Civic Ex Manual Transmission Problems books and manuals for download, along with some popular platforms that offer these resources. One of the significant advantages of 2001 Honda Civic Ex Manual Transmission Problems books and manuals for download is the cost-saving aspect. Traditional books and manuals can be costly, especially if you need to purchase several of them for educational or professional purposes. By accessing 2001 Honda Civic Ex Manual Transmission Problems versions, you eliminate the need to spend money on physical copies. This not only saves you money but also reduces the environmental impact associated with book production and transportation. Furthermore, 2001 Honda Civic Ex Manual Transmission Problems books and manuals for download are incredibly convenient. With just a computer or smartphone and an internet connection, you can access a vast library of resources on any subject imaginable. Whether you're a student looking for textbooks, a professional seeking industry-specific manuals, or someone interested in self-improvement, these digital resources provide an efficient and accessible means of acquiring knowledge. Moreover, PDF books and manuals offer a range of benefits compared to other digital formats. PDF files are designed to retain their formatting regardless of the device used to open them. This ensures that the content appears exactly as intended by the author, with no loss of formatting or missing graphics. Additionally, PDF files can be easily annotated, bookmarked, and searched for specific terms, making them highly practical for studying or referencing. When it comes to accessing 2001 Honda Civic Ex Manual Transmission Problems books and manuals, several platforms offer

an extensive collection of resources. One such platform is Project Gutenberg, a nonprofit organization that provides over 60,000 free eBooks. These books are primarily in the public domain, meaning they can be freely distributed and downloaded. Project Gutenberg offers a wide range of classic literature, making it an excellent resource for literature enthusiasts. Another popular platform for 2001 Honda Civic Ex Manual Transmission Problems books and manuals is Open Library. Open Library is an initiative of the Internet Archive, a non-profit organization dedicated to digitizing cultural artifacts and making them accessible to the public. Open Library hosts millions of books, including both public domain works and contemporary titles. It also allows users to borrow digital copies of certain books for a limited period, similar to a library lending system. Additionally, many universities and educational institutions have their own digital libraries that provide free access to PDF books and manuals. These libraries often offer academic texts, research papers, and technical manuals, making them invaluable resources for students and researchers. Some notable examples include MIT OpenCourseWare, which offers free access to course materials from the Massachusetts Institute of Technology, and the Digital Public Library of America, which provides a vast collection of digitized books and historical documents. In conclusion, 2001 Honda Civic Ex Manual Transmission Problems books and manuals for download have transformed the way we access information. They provide a cost-effective and convenient means of acquiring knowledge, offering the ability to access a vast library of resources at our fingertips. With platforms like Project Gutenberg, Open Library, and various digital libraries offered by educational institutions, we have access to an ever-expanding collection of books and manuals. Whether for educational, professional, or personal purposes, these digital resources serve as valuable tools for continuous learning and self-improvement. So why not take advantage of the vast world of 2001 Honda Civic Ex Manual Transmission Problems books and manuals for download and embark on your journey of knowledge?

### **FAQs About 2001 Honda Civic Ex Manual Transmission Problems Books**

How do I know which eBook platform is the best for me? Finding the best eBook platform depends on your reading preferences and device compatibility. Research different platforms, read user reviews, and explore their features before making a choice. Are free eBooks of good quality? Yes, many reputable platforms offer high-quality free eBooks, including classics and public domain works. However, make sure to verify the source to ensure the eBook credibility. Can I read eBooks without an eReader? Absolutely! Most eBook platforms offer webbased readers or mobile apps that allow you to read eBooks on your computer, tablet, or smartphone. How do I avoid digital eye strain while reading eBooks? To prevent digital eye strain, take regular breaks, adjust the font size and background color, and ensure proper lighting while reading eBooks. What the advantage of interactive eBooks? Interactive eBooks incorporate multimedia elements, quizzes, and activities,

enhancing the reader engagement and providing a more immersive learning experience. 2001 Honda Civic Ex Manual Transmission Problems is one of the best book in our library for free trial. We provide copy of 2001 Honda Civic Ex Manual Transmission Problems in digital format, so the resources that you find are reliable. There are also many Ebooks of related with 2001 Honda Civic Ex Manual Transmission Problems. Where to download 2001 Honda Civic Ex Manual Transmission Problems online for free? Are you looking for 2001 Honda Civic Ex Manual Transmission Problems PDF? This is definitely going to save you time and cash in something you should think about. If you trying to find then search around for online. Without a doubt there are numerous these available and many of them have the freedom. However without doubt you receive whatever you purchase. An alternate way to get ideas is always to check another 2001 Honda Civic Ex Manual Transmission Problems. This method for see exactly what may be included and adopt these ideas to your book. This site will almost certainly help you save time and effort, money and stress. If you are looking for free books then you really should consider finding to assist you try this. Several of 2001 Honda Civic Ex Manual Transmission Problems are for sale to free while some are payable. If you arent sure if the books you would like to download works with for usage along with your computer, it is possible to download free trials. The free guides make it easy for someone to free access online library for download books to your device. You can get free download on free trial for lots of books categories. Our library is the biggest of these that have literally hundreds of thousands of different products categories represented. You will also see that there are specific sites catered to different product types or categories, brands or niches related with 2001 Honda Civic Ex Manual Transmission Problems. So depending on what exactly you are searching, you will be able to choose e books to suit your own need. Need to access completely for Campbell Biology Seventh Edition book? Access Ebook without any digging. And by having access to our ebook online or by storing it on your computer, you have convenient answers with 2001 Honda Civic Ex Manual Transmission Problems To get started finding 2001 Honda Civic Ex Manual Transmission Problems, you are right to find our website which has a comprehensive collection of books online. Our library is the biggest of these that have literally hundreds of thousands of different products represented. You will also see that there are specific sites catered to different categories or niches related with 2001 Honda Civic Ex Manual Transmission Problems So depending on what exactly you are searching, you will be able tochoose ebook to suit your own need. Thank you for reading 2001 Honda Civic Ex Manual Transmission Problems. Maybe you have knowledge that, people have search numerous times for their favorite readings like this 2001 Honda Civic Ex Manual Transmission Problems, but end up in harmful downloads. Rather than reading a good book with a cup of coffee in the afternoon, instead they juggled with some harmful bugs inside their laptop. 2001 Honda Civic Ex Manual Transmission Problems is available in our book collection an online access to it is set as public so you can download it instantly. Our digital library spans in multiple locations, allowing you to get the most less latency time to download any of our books like this one. Merely said, 2001 Honda Civic Ex Manual Transmission Problems is universally compatible with any

devices to read.

**Find 2001 Honda Civic Ex Manual Transmission Problems :**

[lsat powerscore bible](#)

[los valientes motorcycle club](#)

[low voltage lighting wire size calculator](#)

**lingco language labs**

[little apple duck dash](#)

**love and work marcus buckingham pdf**

**little sister chandler**

**louisiana motorcycle test study guide**

[life and annuity license florida](#)

**lizards of east texas**

[life cycle poison dart frog](#)

[lost continent of lemuria](#)

[libro el peregrino ruso gratis](#)

[local cuban cocina](#)

**long fist style**

**2001 Honda Civic Ex Manual Transmission Problems :**