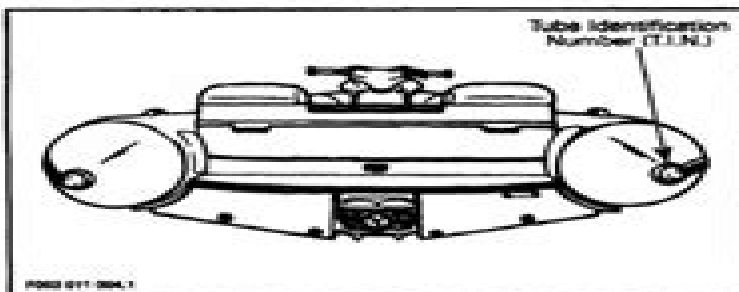


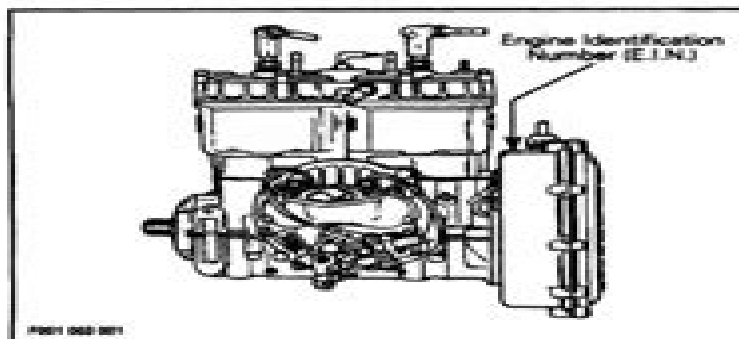
TUBE IDENTIFICATION NUMBER (EXPLORER)

It is located on right hand side cone.



ENGINE IDENTIFICATION NUMBER (E.I.N.)

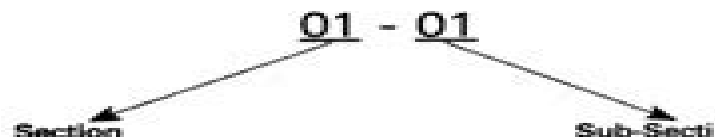
It is located on the upper side of the magneto housing.



DEFINITION OF NUMBERING SYSTEM OF THIS MANUAL

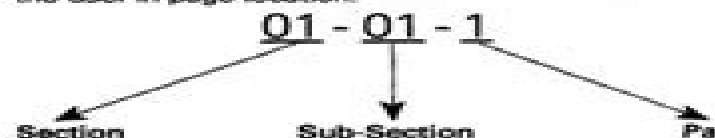
Sections and Sub-Sections System

The manual makes use of a 2-part digital numbering system (e.g. : 01-01), in which the first two-digits represents the section, the second two-digits the sub-section.



Pages System

The numerotation at the bottom of each page assist the user in page location.



ARRANGEMENT OF THIS MANUAL

The manual is divided into 13 major sections :

- 01 Service Tools and Products
- 02 Periodic Inspection Chart
- 03 Engine
- 04 Cooling System
- 05 Fuel System
- 06 Oil System
- 07 Electrical
- 08 Propulsion and Drive Systems
- 09 Steering System
- 10 Hull / Body
- 11 Storage
- 12 Technical Data
- 13 Troubleshooting

Each section is divided in various sub-sections, and again, each sub-section has one or more division.

EX. : 03 ENGINE

- 01 Water-Flooded Engine Care
- 02 Removal and Installation
- 03 Top End
- 04 Flywheel and Magneto
- 05 Bottom End
- 06 Rotary Valve
- 07 Exhaust System

Seadoo Repair Manual

Seloc



Seadoo Repair Manual

Sea-Doo Personal Watercraft, 2002-11 Repair Manual Seloc,2013 Covers all GTI GTX Pro RXP RXT and Wake models with 1494cc engines Cover Personal Watercraft Seloc,Joan Coles,Clarence W. Coles,1998-03 SELOC Marine maintenance and repair manuals offer the most comprehensive authoritative information available for outboard inboard stern drive and diesel engines as well as personal watercraft SELOC has been the leading source of how to information for the marine industry since 1974 Designed and written to serve the needs of the professional mechanic do it yourself boat enthusiast instructor and student these manuals are based on actual teardowns done by Chilton Marine s editors authors in our on site facility Providing complete coverage on everything from basic maintenance to engine overhaul every manual features Simple to follow step by step illustrated procedures Hundreds of exploded drawings photographs and tables Troubleshooting sections accurate specifications and wiring diagrams Recognized and used by technical trade schools as well as the U S military Covers all models of Sea Doo and Bombardier personal watercraft Over 570 illustrations *SELOC's Bombardier Sea-doo Personal Watercraft, Volume IIA, 1992-1997 : Tune-up and Repair Manual* Seloc,1998 SELOC Marine maintenance and repair manuals offer the most comprehensive authoritative information available for outboard inboard stern drive and diesel engines as well as personal watercraft SELOC has been the leading source of how to information for the marine industry since 1974 Designed and written to serve the needs of the professional mechanic do it yourself boat enthusiast instructor and student these manuals are based on actual teardowns done by Chilton Marine s editors authors in our on site facility Providing complete coverage on everything from basic maintenance to engine overhaul every manual features Simple to follow step by step illustrated procedures Hundreds of exploded drawings photographs and tables Troubleshooting sections accurate specifications and wiring diagrams Recognized and used by technical trade schools as well as the U S military Covers all GS GSI GSX GTI GTS HX SP SPI SPX and XP models **Seloc Mercury Outboards 1965-89 Repair Manual** Joan Coles,Clarence W. Coles,1998 Seloc Johnson/Evinrude Outboards 1971-89 Repair Manual Clarence W. Coles,Joan Coles,1989 Covers all 1 1 4 60 HP 1 and 2 cylinder 2 Stroke Models **Mercury/Mariner 75-250 HP Two-Stroke 1998-2009** Editors of Clymer Manuals,2015-12-01 Mercury Mariner 65 Jet 1998 2009 Mercury Mariner 75 HP 1998 2009 Mercury Mariner 80 Jet 1998 2009 Mercury Mariner 90 Jet 1998 2009 Mercury Mariner 100 HP 1998 2009 Mercury Mariner 105 Jet 1998 2009 Mercury Mariner 115 HP 4 Cyl 1998 2009 Mercury Mariner 115 HP Optimax V 6 1998 2009 Mercury Mariner 125 HP 1998 2009 Mercury Mariner 135 HP 1998 2009 Mercury Mariner 135 HP Optimax 1998 2009 Mercury Mariner 140 Jet 1998 2009 Mercury Mariner 150 HP Carburetor Equipped 1998 2009 Mercury Mariner 150 HP EFI 1998 2009 Mercury Mariner 150 XR6 1998 2009 Mercury Mariner 150 HP Optimax 1998 2009 Mercury Mariner 150 Mag III 1998 2009 Mercury Mariner 175 HP Carburetor Equipped 1998 2009 Mercury Mariner 175 HP EFI 1998 2009 Mercury

Mariner 175 HP Optimax 1998 2009 Mercury Mariner 200 HP Carburetor Equipped 1998 2009 Mercury Mariner 200 HP EFI 1998 2009 Mercury Mariner 200 HP Optimax 1998 2009 Mercury Mariner 225 HP Carburetor Equipped 1998 2009 Mercury Mariner 225 HP EFI 1998 2009 Mercury Mariner 225 HP Optimax 1998 2009 Mercury Mariner 250 HP EFI 1998 2009 TROUBLESHOOTING LUBRICATION MAINTENANCE AND TUNE UP ENGINE TOP END ENGINE LOWER END CLUTCH AND EXTERNAL SHIFT MECHANISM TRANSMISSION AND INTERNAL SHIFT MECHANISM FUEL EMISSION CONTROL AND EXHAUST SYSTEMS ELECTRICAL SYSTEM COOLING SYSTEM WHEELS TIRES AND DRIVE CHAIN FRONT SUSPENSION AND STEERING REAR SUSPENSION BRAKES BODY AND FRAME COLOR WIRING DIAGRAMS **Boating**

,1996-01 Safe Boating Guide ,1995 **Bulk Material Handling** Michael Rivkin Ph.D.,2018-09-15 Tens of thousands of mechanical engineers are engaged in the design building upgrading and optimization of various material handling facilities The peculiarity of material handling is that there are numerous technical solutions to any problem The engineer s personal selection of the optimal solution is as critical as the technical component Michael Rivkin Ph D draws on his decades of experience in design construction upgrading optimization troubleshooting and maintenance throughout the world to highlight topics such as physical principles of various material handling systems considerations in selecting technically efficient and environmentally friendly equipment best practices in upgrading and optimizing existing bulk material handling facilities strategies to select proper equipment in the early phases of a new project Filled with graphs charts and case studies the book also includes bulleted summaries to help mechanical engineers without a special background in material handling find optimal solutions to everyday problems **Mercury/Mariner Outboards 1990-00 Repair Manual** ,2000 General information timing maintenance ignition trim and tilt remote control fuel injection and other topics about outboards

Chevrolet Camaro Pontiac Firebird John Haynes,2001-03-24 Haynes offers the best coverage for cars trucks vans SUVs and motorcycles on the market today Each manual contains easy to follow step by step instructions linked to hundreds of photographs and illustrations Included in every manual troubleshooting section to help identify specific problems tips that give valuable short cuts to make the job easier and eliminate the need for special tools notes cautions and warnings for the home mechanic color spark plug diagnosis and an easy to use index This repair manual covers Chevrolet Camaro and Pontiac Firebird all models 1993 thru 2002 **Honda VT1100 Series 1995-2007** Penton Staff,Ron Wright,Clymer Publications,2000-05-24 VT1100C Shadow Spirit 1997 2007 VT1100C2 Shadow 1100 American Classic Edition 1995 1999 VT1100C2 Shadow Sabre 2000 2007 VT1100C3 Shadow Aero 1998 2002 VT1100T Shadow 1100 American Classic Edition Tourer 1998 2000 *The Cumulative Book Index* ,1998 A world list of books in the English language *Yard & Garden Tractor Service Manual: Multi-Cylinder Models* Penton Staff,2000-05-24 Service procedures for yard and garden tractors manufactured through 1990 Seloc's Volvo Penta Stern Drive Joan Coles,Clarence W. Coles,1998-03 SELOC Marine maintenance and repair manuals offer the most comprehensive authoritative information available for outboard inboard stern

drive and diesel engines as well as personal watercraft SELLOC has been the leading source of how to information for the marine industry since 1974 Designed and written to serve the needs of the professional mechanic do it yourself boat enthusiast instructor and student these manuals are based on actual tear-downs done by Chilton Marine's editors authors in our on site facility Providing complete coverage on everything from basic maintenance to engine overhaul every manual features Simple to follow step by step illustrated procedures Hundreds of exploded drawings photographs and tables Troubleshooting sections accurate specifications and wiring diagrams Recognized and used by technical trade schools as well as the U S military Covers all Single SP and Duo Prop DP models powered by Ford GM or Volvo 4 cylinder V6 and V8 engines Over 1 375 illustrations [Bibliography of Nautical Books](#) Alan Obin,2000-02 This is the 15th annual edition of the Bibliography of Nautical Books a reference guide to over 14 000 nautical publications It deals specifically with the year 2000 *Subject Guide to Books in Print* ,1993 **Books in Print Supplement** ,2002 **Paperbound Books in Print 1995** Reed Reference Publishing,Reference Reed,1995-12 [Whitaker's Books in Print](#) ,1998

[12 free knit and crochet puppet patterns marly bird](#) - Feb 14 2023

web 12 free knit and crochet puppet patterns many kids love to perform and put on a show they can make up their own story and share it with their friends and family expand their imagination and encourage their creativity by making them their own puppets for puppet shows some puppets are made for hands while others are just for fingers

hand puppets knitting patterns etsy - Oct 10 2022

web check out our hand puppets knitting patterns selection for the very best in unique or custom handmade pieces from our patterns shops

[ravelry hand puppet menagerie pattern by emily kintigh](#) - Jan 13 2023

web apr 13 2020 knit up a zoo full of hand puppets or just make one or two with so many options this super fun pattern is easily customizable the pattern includes options to make four sets with five puppets each farm pets safari and woodland

31 free hand puppet patterns from around the web - Mar 03 2022

web aug 11 2013 i love searching the web to see the wide variety of creativity in puppets and puppetry styles here's a list of 10 links to 31 free felt hand puppet patterns that include instructions as well cute bunny hand puppets cute bunny hand puppets these super cute bunny hand puppets are too adorable for words

[12 knitted finger puppets patterns knitting news](#) - Jul 19 2023

web 12 knitted finger puppets patterns 1 animal knit finger puppets by heaven to seven get creative with these animal knit finger puppets this set includes 25 classic animals that has the same basic body but with different tweaks to create finger puppets inspired by your favorite animals

fun knitted hand puppets free knitting pattern - Sep 21 2023

web kids just love hand puppets so why not add to the menagerie of finger puppets with a couple of fun knitted hand puppets these cute hand knitted puppets will give hours of pleasure and entertainment the pattern for these knitted mouse and piglet hand puppets are for more seasoned knitters

10 hand puppet knitting patterns - Aug 20 2023

web apr 21 2023 toy 10 hand puppet knitting patterns april 21 2023 are you looking to add some fun to your knitting projects if so then why not try out some hand puppet knitting patterns hand puppets are a great way to bring life to your projects and can be made in a variety of shapes and sizes

pattern for knitted hand puppet etsy uk - Nov 11 2022

web knitting pattern animal hand puppets giraffe monkey lion and elephant hand puppets in dk yarn

[puppet knitting patterns in the loop knitting](#) - Oct 22 2023

web jun 10 2023 patterns for 7 finger puppets are included fox mouse bear boar wolf hare frog puppets the puppets are knitted in the round and are recommended for advanced beginner knitters designed by deniza toys see more images and get **finger puppets knitting patterns let s knit magazine** - Aug 08 2022

web knitting patterns finger puppets finger puppets difficulty intermediate yarn type dk 8 ply designer susie johns needle size us 2 5 3 0mm needle type straight techniques stocking stitch download pattern what you need to know

knitted hand puppets etsy - Jun 06 2022

web hand knitted hand puppets in organic cotton 1 9k 36 00 free shipping etsy s pick hand puppet pattern pdf full color pattern only instant download great for imaginative play felt joy school joy boy 106 6 00 snake sock puppet crochet pattern pattern only 53 3 06 crochet pattern five farm animals finger

[animal hand puppet knitting pattern handy little me](#) - Jun 18 2023

web mar 1 2021 this knitted animal hand puppet is made in a number of pieces and then sewn together it has a moveable mouth which allows you to insert your hand to make him or her talk the hand puppet knitting pattern is fairly easy for beginners with basic knit and purl stitches used

2 free knitting patterns tagged hand puppet knitting patterns - Sep 09 2022

web hand puppet knitting pattern they are 9 1 2 high free pattern read more housework is for those who can t knit t shirt be loud and proud about your knitting skills with this t shirt designed by knitting bee quick access to free knitting patterns free christmas knitting patterns free scarf knitting patterns

knit hand puppets patterns etsy singapore - May 17 2023

web check out our knit hand puppets patterns selection for the very best in unique or custom handmade pieces from our

shops

how to knit a hand puppet a fun and easy guide for beginners - Dec 12 2022

web step 1 choose your yarn and needles step 2 cast on your stitches step 3 knit your rows step 4 create the puppet s head step 5 add finishing touches faq how to knit a hand puppet the puppet show must go on my personal experiences with knitting hand puppets are you looking for a fun way to pass the time and unleash your creativity

free knitting pattern teddy hand puppet knit a square - Apr 16 2023

web to make the teddy hand puppet cast on 18 stitches teddy row 1 knit 4 10cm in garter stitch rows 2 and 3 cast on 10 stitches at the beginning of next 2 rows to make arms you now have 38 sts in total next rows knit in garter stitch for 1 2 5cm next 2 rows cast off 10 sts at beg of next 2 rows you now have 18 sts again

hand puppet knitting patterns collection - Feb 02 2022

web buy this collection of 5 hand puppet knitting patterns pig hand puppet frog hand puppet cat hand puppet dog hand puppet bear hand puppet all of these patterns are available to buy as a single pattern but this collection will save you money if you buy them all together

hand puppets knitting patterns knitsi com - Nov 30 2021

web hand puppets knitting patterns previous pattern hexagon coverlet crochet pattern next pattern ripple afghan crochet pattern yarn used rowan pure wool dk 1 ball in tan sh054 about the yarn dk 130m per 50g ball 100 superwash wool tension measured over st st 24 sts x 34 rows 10cm x 10cm needles used 4mm dpns other supplies stuffing yarn

knitted finger puppets free pattern the knitting space - Mar 15 2023

web this knitting pattern includes a mouse a bear a rabbit and a cat the free pattern for this fun menagerie of animal finger puppets can be downloaded from schachenmayr to access the free download for these adorable knitted animal finger puppets please click here finger puppets pattern

12 knitted finger puppet patterns the funky stitch - May 05 2022

web dec 18 2019 rabbit finger puppets are the cutest among the puppet knitting patterns and kids favorite finger knitting puppet pattern design your collection of eye catching finger puppets with several coloured yarns and lots of excitement snake sock puppet finger knitting pattern snake socks can be great crafting or knitting project for anyone

patterns for knitted hand puppets etsy uk - Jul 07 2022

web check out our patterns for knitted hand puppets selection for the very best in unique or custom handmade pieces from our shops etsy search for items or shops close search skip to content sign in 0 basket home favourites jewellery accessories clothing

7 finger puppets free knitting pattern start knitting knitting patterns - Apr 04 2022

web may 14 2019 7 finger puppets free knitting pattern handmade toys are a rarity these days for an adorable gift that s destined to become a cherished favorite the cute design of the finger puppets free knitting pattern will keep any little boy or girl happy for hours break out the scrap yarn and get started on these lovely knitted animal finger puppets

knitted clown hand puppets pattern by samaritan s purse - Jan 01 2022

web oct 27 2009 knitted clown hand puppets by samaritan s purse published in no longer available from 1 source show hide craft knitting category puppet suggested yarn this digital pattern is no longer available online direct pdf link here about this pattern knitted clown hand puppets by samaritan s purse 20

dein licht der liebe selbstliebe selbstzweifel überwinden - Oct 06 2022

web dein licht der liebe selbstliebe selbstzweifel dein licht der liebe selbstliebe von monika weidlich dein licht der liebe selbstliebe selbstzweifel blogger conflict edy herr das

dein licht der liebe selbstliebe selbstzweifel überwinden - Jun 14 2023

web dein licht der liebe selbstliebe selbstzweifel überwinden selbstwertgefühl steigern und die kunst sich selbst zu lieben 10 praxis tipps für mehr selbstbewusstsein in

dein licht der liebe selbstliebe selbstzweifel ub avenza - Aug 04 2022

web nov 24 2022 dein licht der liebe selbstliebe selbstzweifel ub 2 7 downloaded from avenza dev avenza com on november 24 2022 by guest that kafka actually had an

dein licht der liebe selbstliebe selbstzweifel überwinden - Mar 11 2023

web licht der liebe selbstliebe selbstzweifel buch dein licht der liebe selbstliebe selbstzweifel selbstzweifel überwinden weidlich von der dunkelheit ins licht von der

elif du liebst nur dich selbst lyrics genius lyrics - Jun 02 2022

web mar 18 2021 du liebst nur dich selbst ich lieg wieder wach bis tief in die nacht und du bist nicht da du liebst dich nur selbst den fame und das geld wieder drogen bestellt

dein licht der liebe selbstliebe selbstzweifel überwinden - Jul 15 2023

web dein licht der liebe selbstliebe selbstzweifel überwinden selbstwertgefühl steigern und die kunst sich selbst zu lieben 10 praxis tipps für mehr selbstbewusstsein in

dein licht der liebe selbstliebe selbstzweifel ub gumersindo - Jan 29 2022

web collections dein licht der liebe selbstliebe selbstzweifel ub that we will entirely offer it is not in the region of the costs its very nearly what you need currently this dein licht

dein licht der liebe selbstliebe selbstzweifel ub harold bloom - Nov 07 2022

web considering this one merely said the dein licht der liebe selbstliebe selbstzweifel ub is universally compatible

considering any devices to read the force of blood miguel

dein licht der liebe selbstliebe selbstzweifel ub uniport edu - Feb 10 2023

web aug 24 2023 dein licht der liebe selbstliebe selbstzweifel ub 1 7 downloaded from uniport edu ng on august 24 2023 by guest dein licht der liebe selbstliebe

dein licht der liebe selbstliebe selbstzweifel überwinden - Dec 08 2022

web dein licht der liebe selbstliebe selbstzweifel überwinden selbstwertgefühl steigern und die kunst sich selbst zu lieben 10 praxis tipps für mehr in beruf und alltag

dein licht der liebe selbstliebe selbstzweifel überwinden - Aug 16 2023

web deiner liebe dein licht der liebe selbstliebe selbstzweifel fr dein licht der liebe selbstliebe selbstliebe warum man sich selbst lieben sollte dein licht der liebe

dein licht der liebe selbstliebe selbstzweifel ub pdf - Sep 05 2022

web feb 25 2023 dein licht der liebe selbstliebe selbstzweifel ub 2 7 downloaded from uniport edu ng on february 25 2023 by guest miss sara sampson gotthold ephraim

dein licht der liebe selbstliebe selbstzweifel überwinden - Mar 31 2022

web wichtig dass wir uns selbst dein licht der liebe selbstliebe selbstzweifel dein licht der liebe selbstliebe von monika weidlich herr das licht deiner liebe dich selbst lieben

dein licht der liebe selbstliebe selbstzweifel überwinden - May 13 2023

web dein licht der liebe selbstliebe selbstzweifel überwinden selbstwertgefühl steigern und die kunst sich selbst zu lieben 10 praxis tipps für mehr selbstwusstsein in beruf

dein licht der liebe selbstliebe selbstzweifel überwinden - Apr 12 2023

web dein licht der liebe selbstliebe selbstzweifel überwinden selbstwertgefühl steigern und die kunst sich selbst zu lieben 10 praxis tipps für mehr selbstbewusstsein in

dein licht der liebe selbstliebe selbstzweifel ub blogsetup lingq - Jul 03 2022

web buch handelt von selbstliebe und der verbindung zu deinem selbstwertgefühl du wirst erkennen wie du dich selbst von ganzem herzen aufrichtig und kompromisslos lieben

dein licht der liebe selbstliebe selbstzweifel überwinden - Jan 09 2023

web selbstliebe das fundament für ein glückliches leben die autorin monika weidlich kolhofer kennt die probleme vieler menschen in der heutigen zeit nur zu gut obwohl

dein licht der liebe selbstliebe selbstzweifel überwinden - May 01 2022

web may 24 2023 selbstliebe shop deutscher selbstzweifel überwinden 15 gedanken zur liebe und selbstliebe mymonk de

die 148 besten bilder von selbstliebe amp

dein licht der liebe selbstliebe selbstzweifel überwinden - Feb 27 2022

web dein licht der liebe selbstliebe dein licht der liebe selbstliebe cherrymedia de selbstliebe lernen selbstzweifel überwinden durch dein licht der liebe selbstliebe

real estate investment proposal 11 examples format pdf - Nov 29 2022

web a real estate investment proposal is a letter or document with a proposed plan for commercial or residential project investment it is an essential material for real estate companies to look for possible partners investors financial institutions and lenders that can help aid in investment planning

8 investment proposal template to make your own including a - Jun 05 2023

web sep 1 2023 real estate investment proposal template use this template to attract interested and enthusiastic investors to your real estate properties research forecast shows that by 2030 the global real estate market will grow to over 6 13 trillion at a compound annual growth rate cagr of 5 2 as the demand for real estate

realestateinvestmen tproposalneweracap ital - Feb 18 2022

web the new era of real estate investing amid low expected returns fourth estate the monfort plan international banking in the new era yojana january 2022 english special edition world cities and urban form master limited partnerships the real estate finance journal nelson s directory of institutional real estate federal tax treatment of capital

real estate investment proposal new era capital - Jul 26 2022

web acquire the most less latency period to download any of our books past this one merely said the real estate investment proposal new era capital is universally compatible behind any devices to read scribner s magazine 1918 korean unification in a new era victor cha 2014 12 19 in light of growing discussion about the future of the

real estate investment proposal new era capital peter ranis - Aug 27 2022

web real estate investment proposal new era capital this is likewise one of the factors by obtaining the soft documents of this real estate investment proposal new era capital by online you might not require more mature to spend to go to the books initiation as well as search for them

how to raise capital for your real estate projects forbes - Oct 29 2022

web apr 28 2021 raising capital for real estate can be time consuming if speed is important focus on methods that offer a quick turnaround private money loans hard money loans peer to peer loans

schroders capital investment outlook real estate h2 2023 - May 04 2023

web nov 8 2023 in the midst of a period of repricing across real estate markets investors continue to balance a range of economic and geopolitical issues in the second half of 2023 while downside risks remain the outlook is starting to improve

and become more certain inflation has continued on a downward path in recent months and interest rates are likely
[real estate investment proposal new era capital copy](#) - Mar 02 2023

web real estate investment proposal new era capital 3 3 real estate investment proposal new era capital downloaded from
stage gapinc com by guest roderick williams real estate isaac cruz this book provides readers with a basic understanding of
the principles that underlie real estate development a brief historical overview and an introduction to
[real estate investment proposal new era capital](#) - Mar 22 2022

web aug 18 2023 bargains to download and install real estate investment proposal new era capital hence simple venture
capital law in china lin lin 2021 02 18 provides an in depth comparative empirical and critical analysis of the law and practice
of venture capital in china new era of responsibility united states office of management and
[how to prepare a winning real estate investment proposal](#) - Apr 03 2023

web oct 19 2023 a real estate investment proposal is a document that summarizes the main aspects of your deal such as the
property details the market analysis the financial plan the exit strategy and
real estate investment proposal new era capital - Apr 22 2022

web sep 20 2023 real estate investment proposal new era capital events homepage centre for economic policy research
dealbook the new york times may 8th 2018 california again california state teachers retirement system and vantagepoint
venture partners to co invest 30 million in new energy capital real estate investment

new era capital investment - Oct 09 2023

web new era capital is an investment management company that stands out with its agile and flexible structure and visionary
approach rooted in knowledge we provide value added solution oriented services to individuals and startups

istanbul konut yatırımları 22 10 2023 emlakkulisi com - Dec 31 2022

web sep 1 2021 tokî ve kıptaş tan İstanbul a 70 bin konut 16 08 2015 14 20 36 2005 yılında İstanbul büyükşehir belediye
başkanı kadir topbaş İstanbul a 70 bin konut yapılacağını açıklamış İşte emlakkulisi com haber merkezi nin tarih
araştırmacısı abduallah kutalmış mızrak ın hazırladığı özel haber

real estate investment proposal new era capital full pdf - Jul 06 2023

web real estate investment proposal new era capital 3 3 inside world of real estate investing insider secrets on tax shelter
benefits money saving techniques for valuing property correctly and determining its most profitable use time saving tips on
borrowing money and discovering which investments

real estate proposal template qwilr 2023 edition - Feb 01 2023

web real estate investment proposal template secure investors with a persuasive and compelling property pitch craft a clear
detailed and well researched real estate proposal in less time use template preview investment summary the hidden oasis

precinct

real estate investment proposal new era capital download - May 24 2022

web the unofficial guide to real estate investing proposal impact of u s treasury policy variables on real estate investment the complete guide to investing in duplexes triplexes fourplexes and mobile homes real estate investment proposal new era capital downloaded from pantera adecco com by guest micah bartlett

real estate investment proposal new era capital pdf - Aug 07 2023

web real estate investment proposal new era capital 3 3 real estate investment proposal new era capital downloaded from tpc redmatters com by guest blaze jaslyn real estate investment plan for the james irvine foundation routledge are you really ready to invest in the real estate market this is the question the smart easy guide to real

capital investment types example and how it works investopedia - Jun 24 2022

web aug 11 2023 capital investment is the expenditure of money to fund a company s long term growth the term often refers to a company s acquisition of permanent fixed assets such as real estate and

a detailed vision for the future of real estate investment in turkey - Sep 08 2023

web jan 3 2022 what are the most promising real estate investment projects in turkey 2022 rh 430 luxury homes close to the city center in the upscale neighborhood of nisantasi

renovia istanbul projesi ve fiyatları kadıköy yeni emlak - Sep 27 2022

web 25 bin 125 metrekare arsa alanı üzerinde hayata geçirilen renovia İstanbul projesi İstanbul anadolu yakasında kadıköy e bağlı fikirtepe de yer alıyor vartaş yapı tarafından yaşama geçirilen renovia İstanbul projesi toplam bin 71 adet konut ve 29 adet ticari birimden meydana geliyor 180 bin 691 metrekare inşaat alanına sahip

Uncover the mysteries within Explore with its enigmatic creation, Discover the Intrigue in **Seadoo Repair Manual** . This downloadable ebook, shrouded in suspense, is available in a PDF format (*). Dive into a world of uncertainty and anticipation. Download now to unravel the secrets hidden within the pages.

https://offsite.creighton.edu/files/virtual-library/Documents/jewish_holidays_descriptions.pdf

https://offsite.creighton.edu/files/virtual-library/Documents/kane_chronicles_series.pdf

https://offsite.creighton.edu/files/virtual-library/Documents/jelly_is_to_jar_as_money_is_to.pdf

Table of Contents Seadoo Repair Manual

1. Understanding the eBook Seadoo Repair Manual
 - The Rise of Digital Reading Seadoo Repair Manual
 - Advantages of eBooks Over Traditional Books
2. Identifying Seadoo Repair Manual
 - Exploring Different Genres
 - Considering Fiction vs. Non-Fiction
 - Determining Your Reading Goals
3. Choosing the Right eBook Platform
 - Popular eBook Platforms
 - Features to Look for in an Seadoo Repair Manual
 - User-Friendly Interface
4. Exploring eBook Recommendations from Seadoo Repair Manual
 - Personalized Recommendations
 - Seadoo Repair Manual User Reviews and Ratings

- Seadoo Repair Manual and Bestseller Lists
- 5. Accessing Seadoo Repair Manual Free and Paid eBooks
 - Seadoo Repair Manual Public Domain eBooks
 - Seadoo Repair Manual eBook Subscription Services
 - Seadoo Repair Manual Budget-Friendly Options
- 6. Navigating Seadoo Repair Manual eBook Formats
 - ePub, PDF, MOBI, and More
 - Seadoo Repair Manual Compatibility with Devices
 - Seadoo Repair Manual Enhanced eBook Features
- 7. Enhancing Your Reading Experience
 - Adjustable Fonts and Text Sizes of Seadoo Repair Manual
 - Highlighting and Note-Taking Seadoo Repair Manual
 - Interactive Elements Seadoo Repair Manual
- 8. Staying Engaged with Seadoo Repair Manual
 - Joining Online Reading Communities
 - Participating in Virtual Book Clubs
 - Following Authors and Publishers Seadoo Repair Manual
- 9. Balancing eBooks and Physical Books Seadoo Repair Manual
 - Benefits of a Digital Library
 - Creating a Diverse Reading Collection Seadoo Repair Manual
- 10. Overcoming Reading Challenges
 - Dealing with Digital Eye Strain
 - Minimizing Distractions
 - Managing Screen Time
- 11. Cultivating a Reading Routine Seadoo Repair Manual
 - Setting Reading Goals Seadoo Repair Manual
 - Carving Out Dedicated Reading Time
- 12. Sourcing Reliable Information of Seadoo Repair Manual
 - Fact-Checking eBook Content of Seadoo Repair Manual
 - Distinguishing Credible Sources

13. Promoting Lifelong Learning
 - Utilizing eBooks for Skill Development
 - Exploring Educational eBooks
14. Embracing eBook Trends
 - Integration of Multimedia Elements
 - Interactive and Gamified eBooks

Seadoo Repair Manual Introduction

In this digital age, the convenience of accessing information at our fingertips has become a necessity. Whether its research papers, eBooks, or user manuals, PDF files have become the preferred format for sharing and reading documents. However, the cost associated with purchasing PDF files can sometimes be a barrier for many individuals and organizations. Thankfully, there are numerous websites and platforms that allow users to download free PDF files legally. In this article, we will explore some of the best platforms to download free PDFs. One of the most popular platforms to download free PDF files is Project Gutenberg. This online library offers over 60,000 free eBooks that are in the public domain. From classic literature to historical documents, Project Gutenberg provides a wide range of PDF files that can be downloaded and enjoyed on various devices. The website is user-friendly and allows users to search for specific titles or browse through different categories. Another reliable platform for downloading Seadoo Repair Manual free PDF files is Open Library. With its vast collection of over 1 million eBooks, Open Library has something for every reader. The website offers a seamless experience by providing options to borrow or download PDF files. Users simply need to create a free account to access this treasure trove of knowledge. Open Library also allows users to contribute by uploading and sharing their own PDF files, making it a collaborative platform for book enthusiasts. For those interested in academic resources, there are websites dedicated to providing free PDFs of research papers and scientific articles. One such website is Academia.edu, which allows researchers and scholars to share their work with a global audience. Users can download PDF files of research papers, theses, and dissertations covering a wide range of subjects. Academia.edu also provides a platform for discussions and networking within the academic community. When it comes to downloading Seadoo Repair Manual free PDF files of magazines, brochures, and catalogs, Issuu is a popular choice. This digital publishing platform hosts a vast collection of publications from around the world. Users can search for specific titles or explore various categories and genres. Issuu offers a seamless reading experience with its user-friendly interface and allows users to download PDF files for offline reading. Apart from dedicated platforms, search engines also play a crucial role in finding free PDF files. Google, for instance, has an advanced search feature that allows users to filter results by file type. By specifying the file type as "PDF," users can find websites that offer

free PDF downloads on a specific topic. While downloading Seadoo Repair Manual free PDF files is convenient, its important to note that copyright laws must be respected. Always ensure that the PDF files you download are legally available for free. Many authors and publishers voluntarily provide free PDF versions of their work, but its essential to be cautious and verify the authenticity of the source before downloading Seadoo Repair Manual. In conclusion, the internet offers numerous platforms and websites that allow users to download free PDF files legally. Whether its classic literature, research papers, or magazines, there is something for everyone. The platforms mentioned in this article, such as Project Gutenberg, Open Library, Academia.edu, and Issuu, provide access to a vast collection of PDF files. However, users should always be cautious and verify the legality of the source before downloading Seadoo Repair Manual any PDF files. With these platforms, the world of PDF downloads is just a click away.

FAQs About Seadoo Repair Manual Books

How do I know which eBook platform is the best for me? Finding the best eBook platform depends on your reading preferences and device compatibility. Research different platforms, read user reviews, and explore their features before making a choice. Are free eBooks of good quality? Yes, many reputable platforms offer high-quality free eBooks, including classics and public domain works. However, make sure to verify the source to ensure the eBook credibility. Can I read eBooks without an eReader? Absolutely! Most eBook platforms offer webbased readers or mobile apps that allow you to read eBooks on your computer, tablet, or smartphone. How do I avoid digital eye strain while reading eBooks? To prevent digital eye strain, take regular breaks, adjust the font size and background color, and ensure proper lighting while reading eBooks. What the advantage of interactive eBooks? Interactive eBooks incorporate multimedia elements, quizzes, and activities, enhancing the reader engagement and providing a more immersive learning experience. Seadoo Repair Manual is one of the best book in our library for free trial. We provide copy of Seadoo Repair Manual in digital format, so the resources that you find are reliable. There are also many Ebooks of related with Seadoo Repair Manual. Where to download Seadoo Repair Manual online for free? Are you looking for Seadoo Repair Manual PDF? This is definitely going to save you time and cash in something you should think about. If you trying to find then search around for online. Without a doubt there are numerous these available and many of them have the freedom. However without doubt you receive whatever you purchase. An alternate way to get ideas is always to check another Seadoo Repair Manual. This method for see exactly what may be included and adopt these ideas to your book. This site will almost certainly help you save time and effort, money and stress. If you are looking for free books then you really should consider finding to assist you try this. Several of Seadoo Repair Manual are for sale to free while some are payable. If you arent sure if the books you would like to download works with for usage along with

your computer, it is possible to download free trials. The free guides make it easy for someone to free access online library for download books to your device. You can get free download on free trial for lots of books categories. Our library is the biggest of these that have literally hundreds of thousands of different products categories represented. You will also see that there are specific sites catered to different product types or categories, brands or niches related with Seadoo Repair Manual. So depending on what exactly you are searching, you will be able to choose e books to suit your own need. Need to access completely for Campbell Biology Seventh Edition book? Access Ebook without any digging. And by having access to our ebook online or by storing it on your computer, you have convenient answers with Seadoo Repair Manual To get started finding Seadoo Repair Manual, you are right to find our website which has a comprehensive collection of books online. Our library is the biggest of these that have literally hundreds of thousands of different products represented. You will also see that there are specific sites catered to different categories or niches related with Seadoo Repair Manual So depending on what exactly you are searching, you will be able to choose ebook to suit your own need. Thank you for reading Seadoo Repair Manual. Maybe you have knowledge that, people have search numerous times for their favorite readings like this Seadoo Repair Manual, but end up in harmful downloads. Rather than reading a good book with a cup of coffee in the afternoon, instead they juggled with some harmful bugs inside their laptop. Seadoo Repair Manual is available in our book collection an online access to it is set as public so you can download it instantly. Our digital library spans in multiple locations, allowing you to get the most less latency time to download any of our books like this one. Merely said, Seadoo Repair Manual is universally compatible with any devices to read.

Find Seadoo Repair Manual :

jewish holidays descriptions

~~kane chronicles series~~

jelly is to jar as money is to

~~john steinbeck travels with charlie~~

john glenn fun facts

jokes about the immune system

jewish sign language

joseph prince books pdf

jim knight instructional coaching pdf

john callahan books

joe keery forgive me lord

judy blume the atlantic

~~journalism certification texas~~

jones and schneller

~~jimmy moore fasting~~

Seadoo Repair Manual :