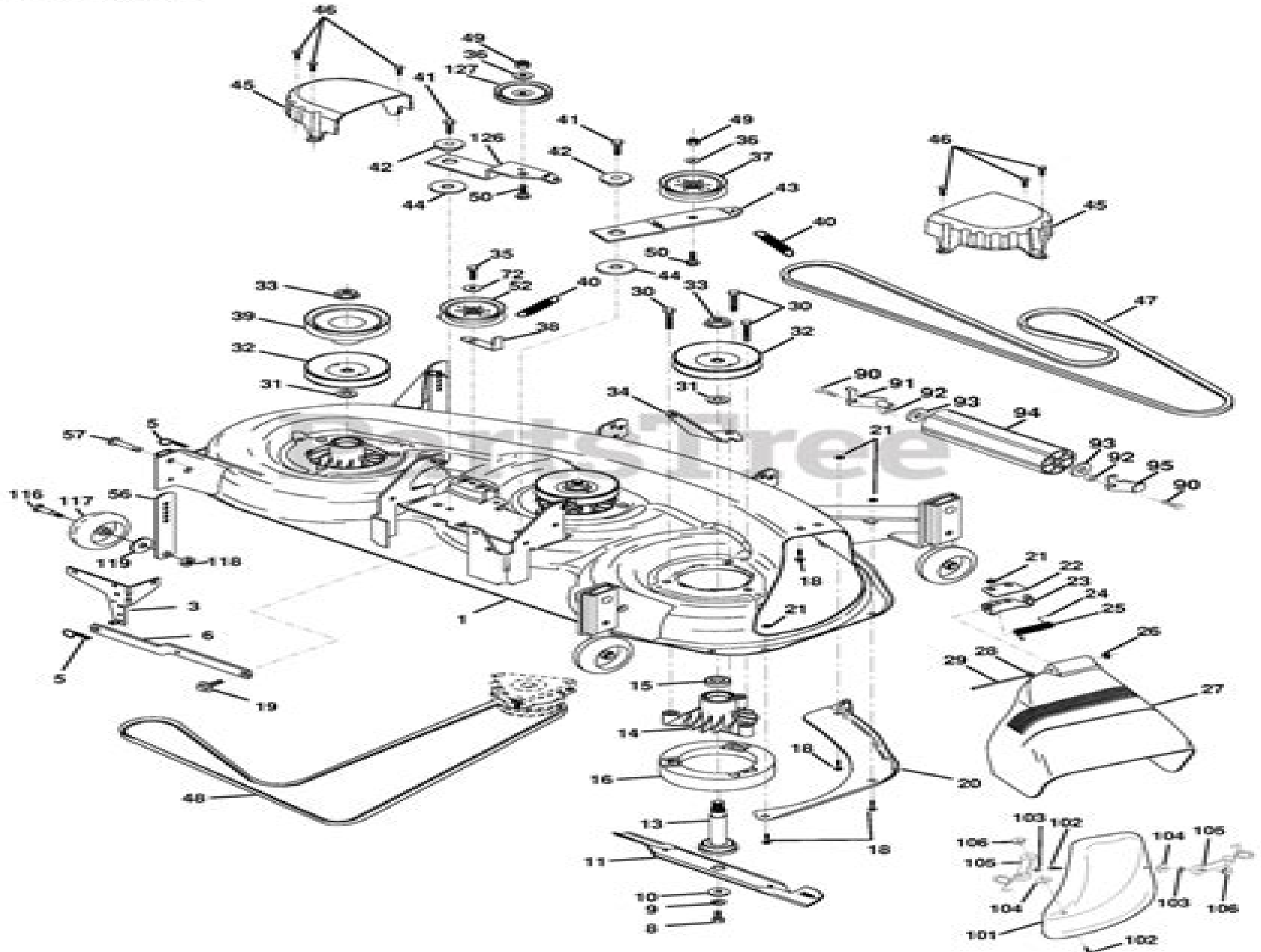


REPAIR PARTS

TRACTOR - MODEL NO. YTH2046 (YTH2046B), PRODUCT NO. 954 56 70-79
MOWER DECK



Husqvarna Yth 2046 Manual

Marina Dutzmann Kirsch



Husqvarna Yth 2046 Manual

Irishness and Womanhood in Nineteenth-century British Writing Thomas J. Tracy, 2009 Using Lady Morgan's *The Wild Irish Girl* as his point of departure Thomas J. Tracy argues that nineteenth century debates over what constitutes British national identity often revolved around representations of Irishness especially Irish womanhood He maps the genealogy of this development in fiction political discourse and the popular press from Edgeworth's *Castle Rackrent* through Trollope's Irish novels focusing on the pivotal period from 1806 through the 1870s

Design and Validation of Computer Protocols Gerard J. Holzmann, 1991 This volume discusses the fundamental problems of designing logically consistent methods of communication between multiple computer processes Standard protocol design problems such as error control and flow control are covered in detail but also structured design methods and the construction of formal validation models The book contains complete listings and explanations of new protocol validation and design tool called SPIN Author is in charge of protocol design at Bell Labs Professionals who bought Tanenbaum's *COMPUTER NETWORKS 2 E* and Comer's *TCP/IP* will buy this This is the first book to cover automated protocol design and validation tools extensively

Das Malerische Werk Des Dänischen Künstlers IB Eisner Stefanie Hegyaljai, 2005 *Flight of Remembrance* Marina Dutzmann Kirsch, 2011-12 Now an Award Winning Finalist in the Non Fiction Narrative category of The 2012 USA Best Book Awards sponsored by USA Book News Obtain a free 40 page excerpt on www.kirschstonebooks.com Against the backdrop of World War II tragedy and devastation in Latvia Poland and Germany and three decades of European history this true narrative provides a window into the palpitating heart of wartime upheaval through the lives of Rolf Dutzmann and Lilo Wassull two people fatefully positioned on the other side In December of 1939 swept along on a tide of dire necessity and circumstance due to the imminent Soviet takeover of his homeland Rolf a young Latvian aeronautical engineering student flees with his family to Germany a country fully under Hitler's control and already engaged in a brutal war While the account chronicles Rolf's pursuit of his technical dream against daunting wartime odds it is first and foremost a poignant love story that plays out against a panorama of worldwide chaos and destruction It is also a story of the seen and unseen forces that coalesce to keep Rolf and Lilo alive after they meet in 1940 Berlin leading them through a chain of cataclysmic events including Rolf's draft into the Luftwaffe and his father's assignment as chief inspector of V 2 rocket production the bombing of Berlin the destruction of their homes their numerous desperate cross country escapes from the bombing the advancing Soviet troops from the east and other Allied forces from the west the POW camp hardships and the deprivation of the postwar years Despite the immeasurable evil suffering and desolation of World War II a synchronistic chain of events provides an uplifting reminder that love and hope may take wing even out of the ashes of life's most terrifying adversities

Historic Highways of America Archer Butler Hulbert, 2020-08-01 Reproduction of the original *Historic Highways of America* by

Archer Butler Hulbert *Damien Hirst* Damien Hirst, Tate Modern (Gallery), 2012 Published on the occasion of the exhibition Damien Hirst Tate Modern 4 April 9 September 2012

come sviluppare le facoltà paranormali telepatia - May 13 2023

web come sviluppare le facoltà paranormali telepatia chiaroveggenza precognizione psicocinesi ryzl milan ferrari n amazon pl książki

milan ryzl come sviluppare le facoltà paranormali macrolibrarsi - Dec 08 2022

web descrizione vi è un segreto un allenamento uno studio particolare capace di far sviluppare le facoltà paranormali in ogni individuo evidentemente sì in questo libro straordinario l'autore rivela i risultati di anni di studi e di esperienze tesi a questa meta

come sviluppare le facoltà paranormali telepatia - Aug 16 2023

web in ognuno di noi esistono allo stato più o meno latente le facoltà esp esse permettono manifestazioni quali la telepatia la chiaroveggenza la precognizione la bilocazione la psicomètria ecc in alcuni individui tali facoltà emergono per un processo spontaneo per gli altri esiste una metodica in grado di portarle alla luce

come sviluppare le facoltà paranormali telepatia - Jan 09 2023

web in ognuno di noi esistono allo stato più o meno latente le facoltà esp esse permettono manifestazioni quali la telepatia la chiaroveggenza la precognizione la bilocazione la psicomètria ecc in alcuni individui tali facoltà emergono per un processo spontaneo per gli altri esiste una metodica in grado di portarle alla luce

come sviluppare le facoltà paranormali telepatia - Apr 12 2023

web acquista online il libro come sviluppare le facoltà paranormali telepatia chiaroveggenza precognizione psicocinesi di milan ryzl in offerta a prezzi imbattibili su mondadori store

come sviluppare le facoltà paranormali telepatia pdf - Mar 11 2023

web come sviluppare le facoltà paranormali telepatia perché la vita è così la vita spiegata attraverso gli insegnamenti dell'alta medianità jul 20 2021 ernesto bozzano e la ricerca psichica dec 25 2021 parole e immagini dall'infinito psicofonia e transcomunicazione con gli esperimenti di raffaella gremese mar 04 2020 i poteri

fenomeni paranormali extrasensoriali cosa sono e come si - Dec 28 2021

web alcune volte lo si usa per indicare ciò che in realtà appartiene al campo della parapsicologia o delle percezioni extrasensoriali in questo campo rientrano quindi la telecinesi e la psicocinesi la telepatia la precognizione la chiaroveggenza e le apparizioni di spiriti generalmente però il termine paranormale viene utilizzato in senso

come sviluppare le facoltà paranormali telepatia - Sep 05 2022

web come sviluppare le facoltà paranormali telepatia chiaroveggenza precognizione psicocinesi è un libro di ryzl milan pubblicato da edizioni mediterranee nella collana esoterismo medianità parapsicologia con argomento parapsicologia sconto 5

come sviluppare le facoltà paranormali telepatia pdf - Mar 31 2022

web come sviluppare le facoltà paranormali telepatia but end up in malicious downloads rather than enjoying a good book with a cup of tea in the afternoon instead they are facing with some malicious bugs inside their computer come sviluppare le facoltà paranormali telepatia is available in our digital library an online

come sviluppare le facoltà paranormali telepatia pdf pdf - Feb 27 2022

web come sviluppare le facoltà paranormali telepatia pdf upload suny p robertson 1 11 come sviluppare le facoltà paranormali telepatia pdf this is likewise one of the factors by obtaining the soft documents of this come sviluppare le facoltà paranormali telepatia pdf by online you might not require more period to spend to go to the books

amazon it come sviluppare le facoltà paranormali - Jan 29 2022

web in consegna a roma 00185 accedi per aggiornare la tua posizione tutte le categorie seleziona la categoria in cui desideri effettuare la ricerca

i 10 migliori libri sulla telepatia notizie scientifiche it - Oct 06 2022

web feb 20 2023 come sviluppare le facoltà paranormali telepatia chiaroveggenza precognizione psicocinesi telepatia e chiaroveggenza i segreti della comunicazione mentale la telepatia lettura e trasmissione del pensiero le visioni del passato e del futuro incontri possibili empatia telepatia comunità mistica manuale di lettura del

come sviluppare le facoltà paranormali telepatia - Nov 07 2022

web in alcuni individui tali facoltà emergono per un processo spontaneo per gli altri esiste una metodica in grado di portarle alla luce il metodo esposto in questo volume è un metodo auto educativo per chiunque sia interessato a sviluppare le proprie facoltà paranormali anche nel solo tempo lasciato libero dalle attività quotidiane

come sviluppare le facoltà paranormali telepatia - Jul 03 2022

web compre online come sviluppare le facoltà paranormali telepatia chiaroveggenza precognizione psicocinesi de ryzl milan ferrari n na amazon frete grÁtis em milhares de produtos com o amazon prime encontre diversos livros em inglÊs e outras línguas com ótimos preços

come sviluppare la telepatia 14 passaggi wikipedi - Aug 04 2022

web 1 credi nella telepatia il mittente ovvero la persona che invia il messaggio telepatico e il destinatario devono credere entrambi nel potere della telepatia pensa sono in grado di imparare a usare la telepatia e riuscirò a utilizzarla 1 assicurati di esercitarti con qualcuno aperto alla possibilità di apprendere questa facoltà

come sviluppare le facoltà paranormali telepatia - Jul 15 2023

web in questo libro l autore rivela i risultati di anni di studi e di esperienze tesi a questa meta in ognuno di noi esistono allo stato più o meno latente le facoltà esp esse permettono manifestazioni quali la telepatia la chiaroveggenza la precognizione la bilocazione la psicomatria ecc

come sviluppare le facoltà paranormali telepatia - May 01 2022

web jun 10 2023 poteri paranormali archivi tu sei luce paranormale migliori prodotti amp opinioni 2020 prodotti telepatia e chiaroveggenza i segreti della unicazione e sviluppare le facoltà paranormali telepatia libro e sviluppare le facoltà paranormali m ryzl libri consigliati paranormale il sapere percezioni extrasensoriali intuito sesto senso seconda

i 10 migliori libri sulla precognizione notizie scientifiche it - Jun 02 2022

web feb 23 2023 the premonition code la scienza della precognizione in che modo la percezione del futuro può cambiarti la vita come sviluppare le facoltà paranormali telepatia chiaroveggenza precognizione psicocinesi sintropia precognizione e retrocausalità precognizioni veggenze profezie con un saggio sul miracolo del

telepatia il giardino dei libri - Feb 10 2023

web che cos è la telepatia con il termine telepatia s intende la trasmissione diretta di informazioni tra individui tramite il solo uso della mente e senza l utilizzo dei cinque sensi questa trasmissione può avvenire in modo intenzionale o più informazioni su telepatia da 1 a 21 di 21 risultati pagina 1 di 1 ordina per 5

come sviluppare le facoltà paranormali telepatia - Jun 14 2023

web milan ryzl edizioni mediterranee 2004 body mind spirit 263 pages vi è un segreto un allenamento uno studio particolare capace di far sviluppare le facoltà paranormali in ogni

getting started my school required me to purchase an access code - Jun 30 2023

web redeem your new code by clicking the redeem a code link see step 5 activate code below new students if you are new to vista higher learning complete these steps you may also view this how to video step 1 go to vhlcentral com step 2 choose one of these options did you buy your code at the vista higher learning online store

vista higher learning coupon code 5 off promo discount codes - May 18 2022

web save up to 5 off with these current vista higher learning coupon code free vistahigherlearning com promo code and other discount voucher there are 7 vistahigherlearning com coupons available in october 2023

vista higher learning discount code reddit 30 off october - Sep 21 2022

web save up to 30 off with vista higher learning promo codes and coupons you get a discount on 10 off when you buy vista higher learning s goods from vistahigherlearning com others who use coupons saved on average 12 42 the deal is a good way to help you make a saving

resources for vhlcentral vista higher learning - Aug 21 2022

web codes clever users with rosterin g how do i teach communicatively in an online course how do i personalize my teaching in an online course how do i help avoid student cheating in my online course search and connect to user guides and find answers to questions about how to use our platforms technical requirements and more visit support central

vista higher learning coupon codes 2023 20 off - Apr 16 2022

web 31 best vista higher learning promo codes coupons from couponbind get 20 off vista higher learning coupons for november 2023

vista higher learning - May 30 2023

web vista higher learning

faq access codes support center - Aug 01 2023

web new codes may be purchased at the vista higher learning online bookstore at vistahigherlearning com store if your class textbook was provided to you by your middle high school please contact your teacher for assistance

vista higher learning vhl teacher guide idea public - Feb 12 2022

web 15 days ago updated language literacy and culture for all learners idea teachers and students can access spanish textbooks and learning resources from their clever portal using vista higher learning in this article who has access how to access troubleshooting tips faq additional information support resources who has access

vista higher learning home facebook - Dec 25 2022

web vista higher learning boston massachusetts 1 like vista higher learning is a leading publisher of spanish french german and italian language text and technology programs share our passion for

vista higher learning promo code 75 off october 2023 coupon code - Apr 28 2023

web oct 25 2023 valuecom publishes the latest vista higher learning coupons every day best vista higher learning discounts up to 75 off offered by vista higher learning today recommended vista higher learning coupon codes and deals today

vista higher learning teacher code vista higher learning - Mar 16 2022

web learning research to understand what works best with distance learning spanning topics from teacher student relationships teacher credibility and clarity instructional design assessments and grading this comprehensive playbook details the research and evidence based strategies teachers can mobilize to deliver high impact learning in an

vista higher learning - Sep 02 2023

web free resources for k 12 educators our goal at vista higher learning is to minimize disruptions in learning as much as possible for students and educators who are transitioning their classes to fully remote to this end we are offering free 90 day teacher access for all of our supersite courses learn more and get your free 90 day teacher

vista higher learning linkedin - Feb 24 2023

web teacher jobs 204 531 open jobs project manager jobs vista higher learning 8 840 followers on linkedin we are world travelers educators editors linguists and technology enthusiasts we

vista higher learning promo codes november 2023 25 off - Oct 23 2022

web score up to 20 savings with vista higher learning similar deals at amazon at vista higher learning get 25 off with 35 active vista higher learning promo codes coupons

vista higher learning usa promo code october 2023 75 off - Nov 23 2022

web about vista higher learning usa promo code today we are providing 49 vista higher learning usa promo code whether you are new customer or existing customer you can get site wide student discount membership discount coupon and you can use today s biggest coupon 75 off on your orders saving

vista higher learning promo code reddit october 2023 - Jan 26 2023

web oct 1 2023 take advantage of vista higher learning promo code reddit and vista higher learning promo codes discount coeds to save your online vista higher learning orders these promotional codes will help you spend much less when you shop your wanted items at vistahigherlearning.com

85 off vista higher learning coupon code promo code - Jul 20 2022

web dec 4 2020 vista higher learning offers many deals and promo codes up to 73 that you can easily find couponupto this vista higher learning labor day allows you to discover not only the newest markdowns and sale clearance items but also score the biggest savings on vista higher learning labor day discounts

vhl central - Oct 03 2023

web vhl central

15 off vista higher learning discount codes october 2023 - Mar 28 2023

web oct 27 2023 save money when you apply vista higher learning discount codes and promo codes at the checkout here at vista higher learning you can find out 9 vista higher learning coupon codes and 39 vista higher learning coupons for october 2023 take good use of these vista higher learning promotions and deals to help you save big

vista higher learning teacher code pdf portal nivbook co - Jun 18 2022

web 2 vista higher learning teacher code 2022 12 19 take stock and find the path 3 rebuild teacher agency 4 rebuild collective teacher efficacy 5 foreground social and emotional learning 6 change the learning loss narrative 7 guide teacher clarity 8 ensure instructional excellence 9 use assessments for a range of purposes 10

read free unique global imports manual simulation answers - May 11 2023

web mar 20 2023 unique global imports manual simulation answers is simple in our digital library an online entrance to it is

set as public therefore you can download it instantly

[universal import guide doppler](#) - Oct 24 2021

web universal import universal import is used to push secrets directly to engineering services and production infrastructure with the click of a button users are able to import secrets

[accounting unique global imports answers fill out sign online](#) - Feb 08 2023

web edit unique global imports accounting answer key effortlessly add and underline text insert pictures checkmarks and signs drop new fillable fields and rearrange or remove

unique global imports manual simulation key answers pdf - Jul 13 2023

web jul 8 2023 unique global imports manual simulation key answers 1 11 downloaded from uniport edu ng on july 8 2023 by guest unique global imports manual

unique global imports manual simulation answer key - May 31 2022

web unique global imports manual simulation answer key 3590467d8504a8acf1f66fb71a3e491a today we coming again the supplementary

unique global imports simulation helpful hints loudoun county - Sep 15 2023

web unique global imports simulation helpful hints whew you are done congratulations the final exam is an audit test of the simulation

unique global imports manual simulation answers - Apr 29 2022

web unique global imports manual simulation answers to build test and package software cmake is used to control the software compilation process using simple platform and

[unique global imports manual simulation answers copy](#) - Jan 27 2022

web unique global imports manual simulation answers 1 unique global imports manual simulation answers unique global imports century 21 accounting development of

unique global imports manual simulation key download - Dec 26 2021

web oct 8 2012 unique global imports manual simulation key download 17k 8 302 items a collection of manuals and instructions related to firearms handheld weapons

unique global imports manual simulation answer key - Jul 01 2022

web mar 31 2023 answer key getting the books unique global imports manual simulation answer key now is not type of challenging means you could not abandoned going

unique global imports manual simulation answers pdf - Mar 09 2023

web unique global imports manual simulation answers right here we have countless book unique global imports manual

simulation answers and collections to check out we

unique global imports manual simulation answer key - Mar 29 2022

web thank you categorically much for downloading unique global imports manual simulation answer key maybe you have knowledge that people have look numerous time for their

get unique global imports accounting answer key us legal - Jan 07 2023

web comply with our easy steps to have your unique global imports accounting answer key ready rapidly find the web sample in the library complete all required information in the

unique global imports manual simulation key answers pdf gccca - Aug 14 2023

web unique global imports manual simulation key answers pdf is available in our book collection an online access to it is set as public so you can get it instantly our books

unique global imports manual simulation key answers - Nov 05 2022

web found so far is in the user s manuals of various software products acquisition of building geometry in the simulation of energy performance may 20 2021 building geometry is

unique global imports manual simulation key answers - Feb 25 2022

web unique global imports manual simulation key answers 3590467d8504a8acf1f66fb71a3e491a why you need to wait for some days to acquire or

unique global imports manual simulation key answers - Dec 06 2022

web may 22 2023 right here we have countless ebook unique global imports manual simulation key answers and collections to check out we additionally allow variant

unique global imports manual simulation answers download - Sep 03 2022

web dec 10 2022 unique global imports manual simulation answers 1 4 downloaded from ads independent com on december 10 2022 by guest unique global imports manual

unique global imports manual simulation answers pdf gccca - Jun 12 2023

web mar 24 2023 global imports manual simulation answers pdf as one of the most functional sellers here will totally be in the middle of the best options to review official

read online unique global imports manual simulation answer - Apr 10 2023

web read online unique global imports manual simulation answer key free download pdf guide for import of goods access2markets europa import and export manuals logistics

unique global imports manual simulation key answers pdf - Aug 02 2022

web unique global imports manual simulation key answers 1 10 downloaded from uniport edu ng on august 28 2022 by guest

unique global imports manual

generic and universal import codecademy - Nov 24 2021

web permalink they are different generic you have to type e g math in front of your function every single time you use it

universal you don t have to type e g math in front of the

unique global imports manual simulation key answers copy - Oct 04 2022

web this extraordinary book aptly titled unique global imports manual simulation key answers written by a very acclaimed author immerses readers in a captivating

Eventually, you will unquestionably discover a new experience and triumph by spending more cash. nevertheless when? accomplish you resign yourself to that you require to get those every needs in imitation of having significantly cash? Why dont you try to acquire something basic in the beginning? Thats something that will lead you to understand even more roughly speaking the globe, experience, some places, subsequently history, amusement, and a lot more?

It is your entirely own mature to acquit yourself reviewing habit. along with guides you could enjoy now is **Husqvarna Yth 2046 Manual** below.

https://offsite.creighton.edu/files/virtual-library/Documents/manny_marroquin_plugins.pdf

https://offsite.creighton.edu/files/virtual-library/Documents/lyrics_good_enough_evanescence.pdf

https://offsite.creighton.edu/files/virtual-library/Documents/mario_world_coloring_pages.pdf

Table of Contents Husqvarna Yth 2046 Manual

1. Understanding the eBook Husqvarna Yth 2046 Manual
 - The Rise of Digital Reading Husqvarna Yth 2046 Manual
 - Advantages of eBooks Over Traditional Books
2. Identifying Husqvarna Yth 2046 Manual
 - Exploring Different Genres
 - Considering Fiction vs. Non-Fiction
 - Determining Your Reading Goals
3. Choosing the Right eBook Platform
 - Popular eBook Platforms
 - Features to Look for in an Husqvarna Yth 2046 Manual

- User-Friendly Interface
- 4. Exploring eBook Recommendations from Husqvarna Yth 2046 Manual
 - Personalized Recommendations
 - Husqvarna Yth 2046 Manual User Reviews and Ratings
 - Husqvarna Yth 2046 Manual and Bestseller Lists
- 5. Accessing Husqvarna Yth 2046 Manual Free and Paid eBooks
 - Husqvarna Yth 2046 Manual Public Domain eBooks
 - Husqvarna Yth 2046 Manual eBook Subscription Services
 - Husqvarna Yth 2046 Manual Budget-Friendly Options
- 6. Navigating Husqvarna Yth 2046 Manual eBook Formats
 - ePub, PDF, MOBI, and More
 - Husqvarna Yth 2046 Manual Compatibility with Devices
 - Husqvarna Yth 2046 Manual Enhanced eBook Features
- 7. Enhancing Your Reading Experience
 - Adjustable Fonts and Text Sizes of Husqvarna Yth 2046 Manual
 - Highlighting and Note-Taking Husqvarna Yth 2046 Manual
 - Interactive Elements Husqvarna Yth 2046 Manual
- 8. Staying Engaged with Husqvarna Yth 2046 Manual
 - Joining Online Reading Communities
 - Participating in Virtual Book Clubs
 - Following Authors and Publishers Husqvarna Yth 2046 Manual
- 9. Balancing eBooks and Physical Books Husqvarna Yth 2046 Manual
 - Benefits of a Digital Library
 - Creating a Diverse Reading Collection Husqvarna Yth 2046 Manual
- 10. Overcoming Reading Challenges
 - Dealing with Digital Eye Strain
 - Minimizing Distractions
 - Managing Screen Time
- 11. Cultivating a Reading Routine Husqvarna Yth 2046 Manual
 - Setting Reading Goals Husqvarna Yth 2046 Manual

- Carving Out Dedicated Reading Time
- 12. Sourcing Reliable Information of Husqvarna Yth 2046 Manual
 - Fact-Checking eBook Content of Husqvarna Yth 2046 Manual
 - Distinguishing Credible Sources
- 13. Promoting Lifelong Learning
 - Utilizing eBooks for Skill Development
 - Exploring Educational eBooks
- 14. Embracing eBook Trends
 - Integration of Multimedia Elements
 - Interactive and Gamified eBooks

Husqvarna Yth 2046 Manual Introduction

Husqvarna Yth 2046 Manual Offers over 60,000 free eBooks, including many classics that are in the public domain. Open Library: Provides access to over 1 million free eBooks, including classic literature and contemporary works. Husqvarna Yth 2046 Manual Offers a vast collection of books, some of which are available for free as PDF downloads, particularly older books in the public domain. Husqvarna Yth 2046 Manual : This website hosts a vast collection of scientific articles, books, and textbooks. While it operates in a legal gray area due to copyright issues, its a popular resource for finding various publications. Internet Archive for Husqvarna Yth 2046 Manual : Has an extensive collection of digital content, including books, articles, videos, and more. It has a massive library of free downloadable books. Free-eBooks Husqvarna Yth 2046 Manual Offers a diverse range of free eBooks across various genres. Husqvarna Yth 2046 Manual Focuses mainly on educational books, textbooks, and business books. It offers free PDF downloads for educational purposes. Husqvarna Yth 2046 Manual Provides a large selection of free eBooks in different genres, which are available for download in various formats, including PDF. Finding specific Husqvarna Yth 2046 Manual, especially related to Husqvarna Yth 2046 Manual, might be challenging as theyre often artistic creations rather than practical blueprints. However, you can explore the following steps to search for or create your own Online Searches: Look for websites, forums, or blogs dedicated to Husqvarna Yth 2046 Manual, Sometimes enthusiasts share their designs or concepts in PDF format. Books and Magazines Some Husqvarna Yth 2046 Manual books or magazines might include. Look for these in online stores or libraries. Remember that while Husqvarna Yth 2046 Manual, sharing copyrighted material without permission is not legal. Always ensure youre either creating your own or obtaining them from legitimate sources that allow sharing and downloading. Library Check if your local library offers eBook lending services. Many libraries have digital catalogs where you can borrow Husqvarna Yth 2046 Manual

eBooks for free, including popular titles. Online Retailers: Websites like Amazon, Google Books, or Apple Books often sell eBooks. Sometimes, authors or publishers offer promotions or free periods for certain books. Authors Website Occasionally, authors provide excerpts or short stories for free on their websites. While this might not be the Husqvarna Yth 2046 Manual full book, it can give you a taste of the authors writing style. Subscription Services Platforms like Kindle Unlimited or Scribd offer subscription-based access to a wide range of Husqvarna Yth 2046 Manual eBooks, including some popular titles.

FAQs About Husqvarna Yth 2046 Manual Books

What is a Husqvarna Yth 2046 Manual PDF? A PDF (Portable Document Format) is a file format developed by Adobe that preserves the layout and formatting of a document, regardless of the software, hardware, or operating system used to view or print it. **How do I create a Husqvarna Yth 2046 Manual PDF?** There are several ways to create a PDF: Use software like Adobe Acrobat, Microsoft Word, or Google Docs, which often have built-in PDF creation tools. Print to PDF: Many applications and operating systems have a "Print to PDF" option that allows you to save a document as a PDF file instead of printing it on paper. Online converters: There are various online tools that can convert different file types to PDF. **How do I edit a Husqvarna Yth 2046 Manual PDF?** Editing a PDF can be done with software like Adobe Acrobat, which allows direct editing of text, images, and other elements within the PDF. Some free tools, like PDFescape or Smallpdf, also offer basic editing capabilities. **How do I convert a Husqvarna Yth 2046 Manual PDF to another file format?** There are multiple ways to convert a PDF to another format: Use online converters like Smallpdf, Zamzar, or Adobe Acrobats export feature to convert PDFs to formats like Word, Excel, JPEG, etc. Software like Adobe Acrobat, Microsoft Word, or other PDF editors may have options to export or save PDFs in different formats. **How do I password-protect a Husqvarna Yth 2046 Manual PDF?** Most PDF editing software allows you to add password protection. In Adobe Acrobat, for instance, you can go to "File" -> "Properties" -> "Security" to set a password to restrict access or editing capabilities. Are there any free alternatives to Adobe Acrobat for working with PDFs? Yes, there are many free alternatives for working with PDFs, such as: LibreOffice: Offers PDF editing features. PDFsam: Allows splitting, merging, and editing PDFs. Foxit Reader: Provides basic PDF viewing and editing capabilities. How do I compress a PDF file? You can use online tools like Smallpdf, ILovePDF, or desktop software like Adobe Acrobat to compress PDF files without significant quality loss. Compression reduces the file size, making it easier to share and download. Can I fill out forms in a PDF file? Yes, most PDF viewers/editors like Adobe Acrobat, Preview (on Mac), or various online tools allow you to fill out forms in PDF files by selecting text fields and entering information. Are there any restrictions when working with PDFs? Some PDFs might have restrictions set by their creator, such as password protection, editing restrictions, or print restrictions. Breaking these restrictions might require specific

software or tools, which may or may not be legal depending on the circumstances and local laws.

Find Husqvarna Yth 2046 Manual :

manny marroquin plugins

lyrics good enough evanescence

mario world coloring pages

map test scores chart

mankiw's principles of economics

mandala color combinations

macmillan publishers books list

martha beck purpose

map norms nwea

maple hills clinic

marion mahony griffin buildings

map of habsburg empire

mami in spanish meaning

mario coloring pages

lyndon johnson official portrait

Husqvarna Yth 2046 Manual :