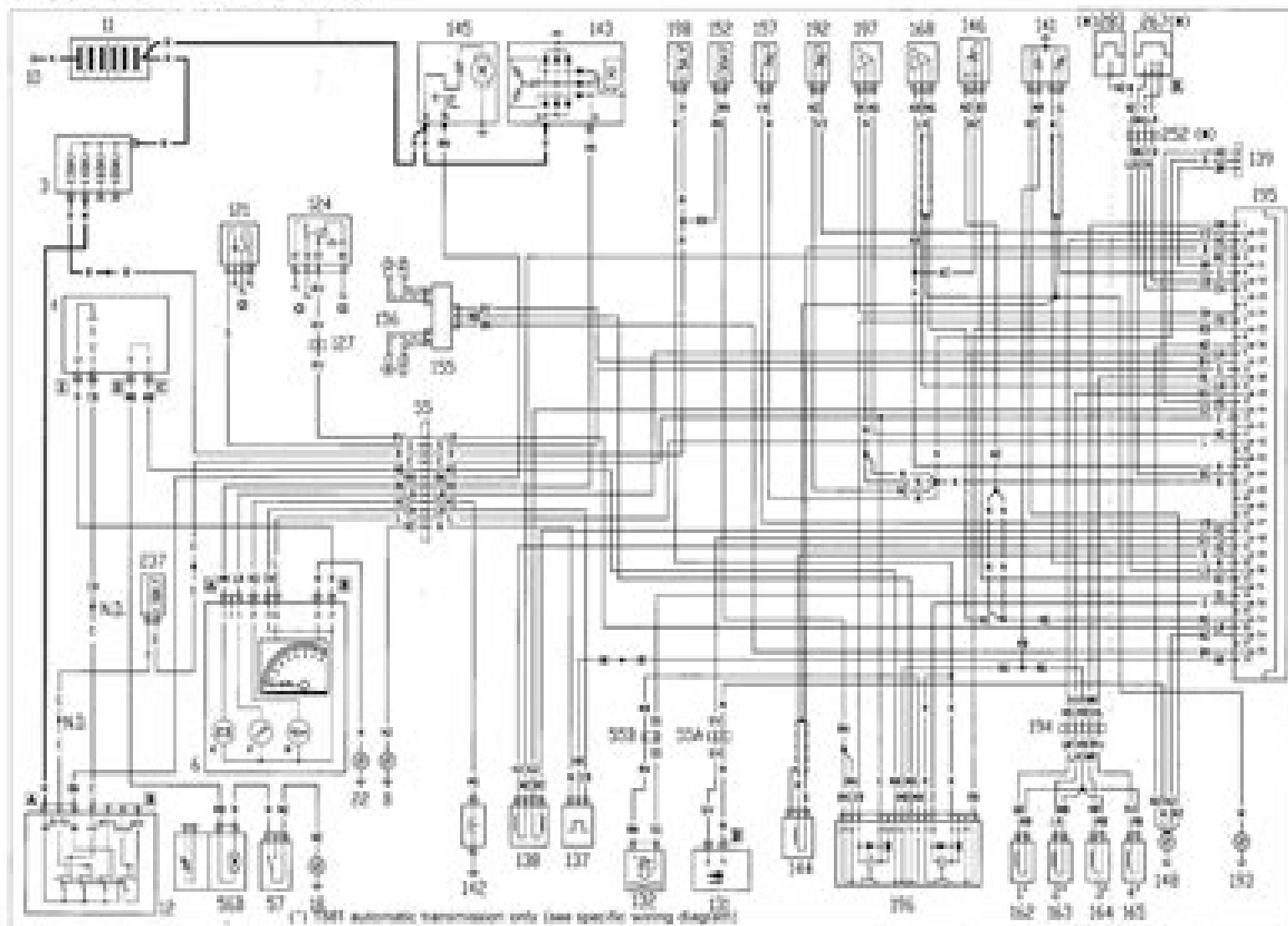


Starting system - Electronic ignition and fuel injection - Recharging system and warning light - Low engine oil pressure warning light - Fuel injection fault warning light (TSEI engine)



# **Fiat Ducato Engine Diagram**

**Charlie Low & Dale Comley**



# Fiat Ducato Engine Diagram

**New Zealand Local Government** ,1989      **Pocket Mechanic** Peter RUSSEK (Author.),1989-12-01      **The Oldham Road** ,1987 These photographs form part of a project to document the area between Manchester and Oldham England in 1984 1986      **Automotive Mechatronics: Operational and Practical Issues** B. T. Fijalkowski,2010-11-25 This book presents operational and practical issues of automotive mechatronics with special emphasis on the heterogeneous automotive vehicle systems approach and is intended as a graduate text as well as a reference for scientists and engineers involved in the design of automotive mechatronic control systems As the complexity of automotive vehicles increases so does the dearth of high competence multi disciplined automotive scientists and engineers This book provides a discussion into the type of mechatronic control systems found in modern vehicles and the skills required by automotive scientists and engineers working in this environment Divided into two volumes and five parts Automotive Mechatronics aims at improving automotive mechatronics education and emphasises the training of students experimental hands on abilities stimulating and promoting experience among high education institutes and produce more automotive mechatronics and automation engineers The main subject that are treated are VOLUME I RBW or XBW unibody or chassis motion mechatronic control hypersystems DBW AWD propulsion mechatronic control systems BBW AWB dispulsion mechatronic control systems VOLUME II SBW AWS diversion mechatronic control systems ABW AWA suspension mechatronic control systems This volume was developed for undergraduate and postgraduate students as well as for professionals involved in all disciplines related to the design or research and development of automotive vehicle dynamics powertrains brakes steering and shock absorbers dampers Basic knowledge of college mathematics college physics and knowledge of the functionality of automotive vehicle basic propulsion dispulsion conversion and suspension systems is required      *Fluid Power with Applications* Anthony Esposito,2013-08-29 For sophomore or junior level courses in Fluid Power Hydraulics and Pneumatics in two or four year Engineering Technology and Industrial Technology programs Fluid Power with Applications presents broad coverage of fluid power technology in a readable and understandable fashion An extensive array of industrial applications is provided to motivate and stimulate students interest in the field Balancing theory and applications this text is updated to reflect current technology it focuses on the design analysis operation and maintenance of fluid power systems The full text downloaded to your computer With eBooks you can search for key concepts words and phrases make highlights and notes as you study share your notes with friends eBooks are downloaded to your computer and accessible either offline through the Bookshelf available as a free download available online and also via the iPad and Android apps Upon purchase you ll gain instant access to this eBook Time limit The eBooks products do not have an expiry date You will continue to access your digital ebook products whilst you have your Bookshelf installed      **Citroen Relay Peugeot Boxer 1.9 and 2.5 Litre Diesel Workshop Manual 1994-2001**

Brooklands Books Ltd,2015-06-01 This Owners Edition workshop manual covers the Citroen Relay and the Peugeot Boxer diesel powered with two 1 9 litre engines a naturally aspirating diesel engine and a turbodiesel engine known as the XUD engines Two 2 5 Litre engines were also fitted to both makes without or with turbocharger known as DJ5 engines *Chassis Handbook* Bernhard Heiing, Metin Ersoy,2010-11-09 In spite of all the assistance offered by electronic control systems the latest generation of passenger car chassis still relies on conventional chassis elements With a view towards driving dynamics this book examines these conventional elements and their interaction with mechatronic systems First it describes the fundamentals and design of the chassis and goes on to examine driving dynamics with a particularly practical focus This is followed by a detailed description and explanation of the modern components A separate section is devoted to the axles and processes for axle development With its revised illustrations and several updates in the text and list of references this new edition already includes a number of improvements over the first edition *The Van Conversion Bible* Charlie Low & Dale Comley,2021-04-01 Want to wake up to a breathtaking new view every morning Have you been dreaming about owning a vehicle to fuel your adventures Building a campervan gives you total freedom to create your very own rolling home Escape the daily grind hit the open road and re write the way you live The Van Conversion Bible is the ultimate guide to planning designing and converting a campervan It s more than just the story of how we built our own van Ringo it will help you build a van bespoke to your needs It provides definitive answers to your questions even the ones you haven t thought of yet to ensure you save time and avoid expensive mistakes From detailed gas water and electrical system diagrams to a step by step build guide you ll find everything you need to start your journey inside Whatever your skills and budget you can learn how to build your dream campervan Your very own home on wheels awaits **The Book of Ser Marco Polo, the Venetian, Concerning the Kingdoms and Marvels of the East** Marco Polo,1903 *Honda 1800 Gold Wing 2001-2010* Penton Staff,2000-05-24 *Honda 1800 Gold Wing 2001 2010* *Citroen C3* John S. Mead,John Harold Haynes,2005 Walled Towns and the Shaping of France M. Wolfe,2009-08-31 This book focuses on the development of towns in France taking into account military technology physical geography shifting regional networks tying urban communities together and the emergence of new forms of public authority and civic life Advances on P2P, Parallel, Grid, Cloud and Internet Computing Leonard Barolli,Peter Hellinckx,Juggapong Natwichai,2019-10-19 This book presents the latest research findings innovative research results methods and development techniques related to P2P grid cloud and Internet computing from both theoretical and practical perspectives It also reveals the synergies among such large scale computing paradigms P2P grid cloud and Internet computing technologies have rapidly become established as breakthrough paradigms for solving complex problems by enabling aggregation and sharing of an increasing variety of distributed computational resources at large scale Grid computing originated as a paradigm for high performance computing as an alternative to expensive supercomputers through different forms of large scale distributed computing P2P computing emerged as a new paradigm after client server and web

based computing and has proved useful in the development of social networking B2B business to business B2C business to consumer B2G business to government and B2E business to employee Cloud computing has been defined as a computing paradigm where the boundaries of computing are determined by economic rationale rather than technical limits and it has fast become a computing paradigm with applicability and adoption in all application domains and which provides utility computing at a large scale Lastly Internet computing is the basis of any large scale distributed computing paradigms it has developed into a vast area of flourishing fields with enormous impact on today s information societies and serving as a universal platform comprising a large variety of computing forms such as grid P2P cloud and mobile computing

*Fitting a Camper Van Interior* Rob Hawkins,2014-01-31 *Fitting a Camper Van Interior* is a definitive guide to modifying or upgrading a van interior at home This book offers guidance and advice on how to maximise the interior space style and functionality of any camper van model The book breaks down each task with step by step photography and instructions from the initial design stages right through to expanding the camper van with awnings and elevating roofs With safety tips throughout the book covers considerations when purchasing your camper van classic or new model how to assess an existing interior and determine what you need from your camper van designing and planning a camper van interior ideas and suggestions to help decide what you need to include inside a camper van preparation how to strip the inside of a camper van and prepare it for a new interior including fitting insulation sound proofing rust protection flooring and panelling seats and sleeping how to make your own seats and fit them restore a rock and roll bed and fit a hammock kitchen equipment step by step instructions on making your own kitchen units and fitting equipment such as a fridge and stove camper van electrics hooking up at a campsite running a leisure battery and other ideas for operating electrical equipment expanding a camper van how to make a canopy and fit an elevating roof Illustrated throughout with 753 step by step photographs

**Fiat Uno Service and Repair Manual** P. G. Strasman,1996

**MINI Cooper Service Manual** ,2004 If you own one of these fabulous cars then you know how fun it is to drive And you probably know that your MINI is packed with some of BMW s latest automotive technology But if you want to maintain and repair your car yourself or just want to understand what s going on under the bonnet you ll be wanting the MINI Cooper Cooper S 2002 2004 Service Manual by Bentley Publishers This is the only comprehensive single source of service information and specifications available for MINI models from 2002 2004 The aim throughout this manual has been simplicity clarity and completeness achieved through practical explanations step by step procedures and accurate specifications Whether you re a professional technician or a do it yourself MINI owner this manual will help you understand care for and repair your car Bentley Publishers new MINI service and repair manual is based on factory information but is heavily supplemented by hands on experience and illustrations The service manual editorial team has disassembled and photographed several MINI models for this project in the Bentley Service Information Research Center

**FIAT Owners Workshop Manual** John Harold Haynes,Colin D. Barge,1986 Models covered All petrol engine versions of the FIAT 131

Saloon Estate 1297 cc 1301 cc 1367 cc 1585 cc and 1995 cc ohv sohc and dohc Does not cover diesel engine models **The Compound Engine** Frederick R. Low, 2011-10 Many of the earliest books particularly those dating back to the 1900s and before are now extremely scarce and increasingly expensive We are republishing these classic works in affordable high quality modern editions using the original text and artwork *Gas Engine Design* Charles Edward Lucke, 1905 **The Compound Engine** William John Tennant, 1905

2004 Ford Pickup F250 Super Duty 63: 5.4L, Charging Circuit. 2004 Ford Pickup F250 Super Duty. 2004 SYSTEM WIRING DIAGRAMS Ford - Pickup F350 Super Duty. Page 25. Fig. 64: 5.4L, Starting ... 2004 Ford Pickup F250 Super Duty 2004 Ford Pickup F250 Super Duty. 2004 SYSTEM WIRING DIAGRAMS Ford - Pickup F350 Super Duty. 2004 Ford Pickup F250 Super Duty. 2004 SYSTEM WIRING DIAGRAMS ... I need a full wiring diagram for 2004 Ford Truck F250 Super Nov 18, 2022 — I need a full wiring diagram for 2004 Ford Truck F250 Super Duty P/U 4WD 5.4L FI SOHC 8cyl I don't want to sign up only to find you do not ... 2004 F250 Wiring Diagram - Ford Truck Enthusiasts Forums Aug 19, 2005 — HELP, I need A wiring diagram for my 2004 F250 6.0. I keep blowing the #35 fuse[instrument cluster]. Truck is at the dealer and the fuses ... 04 f250 superduty wiring diagram May 16, 2023 — Do a earch for 2004 F Series trailer wiring diagram. The factory wiring diagram is \$45 delivered in the US on ebay. Kind of cheap in the realm ... Ford F-250 2004 04 Color Wiring Diagram ... - eBay FORD F-250 2004, V8 6.0L, DSL 4WD. Diagram is in the form of computer file (pdf format), 64 pages, size 4 Mb. Color Wiring Diagram. Diagram sections are ... 2004 Ford Excursion Super Duty F250-550 Wiring ... 2004 Ford Excursion Super Duty F250-550 Wiring Diagram Manual Original [Ford] on Amazon.com. \*FREE\* shipping on qualifying offers. 2004 Ford Excursion Super ... 2004 Ford F-250 Electrical Wiring Diagram ... - eBay 2004 Ford F-350 Electrical Wiring Diagram Manual XL XLT 6.0L Diesel Crew Cab This is in very good condition. Complete with no missing pages. Werring Diagram for 2004 Ford F-250 XLT 4 - the12volt.com Sep 25, 2004 — Notes: The wiring above is for vehicles without keyless entry. Vehicles with keyless entry, the door trigger wires are found at the BCM, green ... Realidades Practice Workbook 3 - 1st Edition - Solutions ... Our resource for Realidades Practice Workbook 3 includes answers to chapter exercises, as well as detailed information to walk you through the process step by ... Realidades 3 - 1st Edition - Solutions and Answers Find step-by-step solutions and answers to Realidades 3 - 9780130359681, as well as thousands of textbooks so you can move forward with confidence. Practice Workbook Answers 3B-3. Answers will vary. Here are some probable answers. 1. Sí, el tomate es ... Realidades 1. Capítulo 6B Practice Workbook Answers el garaje, la cocina, la ... ANSWER KEY - WORKBOOK 3. 2 Do you do a lot of sport, Kiko? Yes, I do. 3 Do the students in your class live near you? No, they don't. 4 Do you and Clara like Italian food? Autentico 1 Workbook Answers Sep 24, 2012 — 2017 VHL Spanish 3 Aventura Level 2 978-0-82196-296-1 Texts should be ... Phschool realidades 1 workbook answers (Read. Only). Auténtico Online ... Phschool Com Spanish Answers | GSA phschool com

spanish answers. Looking Practice Workbook Answers? Ok, we provide the right information about phschool com spanish answers in this post below. Realidades L1 Guided Practices Grammar Answers.pdf Guided Practice Activities 4A-3 127. 128 Guided Practice Activities - 4A-4. Online WEB CODE =d-0404. PHSchool.com. Pearson Education, Inc. All rights reserved ... Pearson Education, Inc. All rights reserved. Nombre. Para empezar. Fecha. En la escuela. Hora. Practice Workbook. P-3. Por favor. Your Spanish teacher has asked you to learn some basic classroom commands. Workbook answer key Answers will vary. Exercise 2. 2. A: What's your teacher's name? 3. A: Where is your teacher from ... Solved Laboratory Manual in Physical Geology (12th Edition) Apr 20, 2022 — Answer to Solved Laboratory Manual in Physical Geology (12th Edition) | Chegg.com. Laboratory Manual in Physical Geology 11th Edition ... Apr 7, 2019 — Laboratory Manual in Physical Geology 11th Edition American Solutions Manual - Download as a PDF or view online for free. Appendix 3 Answers to Exercises - Physical Geology by S Earle · 2015 — The following are suggested answers to the exercises embedded in the various chapters of Physical Geology. The answers are in italics. Click on a chapter link ... Laboratory Manual in Physical Geology | 11th Edition Access Laboratory Manual in Physical Geology 11th Edition solutions now. Our solutions are written by Chegg experts so you can be assured of the highest ... Introducing Geology Lab Manual Answer Key [PDF] Aug 12, 2016 — Laboratory Manual in Physical Geology - Richard. M. Busch 2015. For ... Geology Lab Manual Answer Key PDF. eBooks. We are passionate about ... Appendix 3: Answers to Lab Exercises The following are suggested answers to the lab exercises for Labs 1 to 10 in A Practical Guide to Introductory Geology. Answers to the practice exercises ... Laboratory Manual for Introductory Geology In any introductory textbook on physical geology, the reader will find the discussion on metamorphic rocks located after the chapters on igneous and ... Lab 8 Answer Sheet.pdf - GEO 201 Physical Geology Lab 8 View Lab 8 Answer Sheet.pdf from GEO 201 at Oregon State University, Corvallis. GEO 201 Physical Geology Lab 8- Earthquakes (25 points) Exercise 1- Locating ... Laboratory Manual in Physical Geology Vocabulary: Lab 12 Study with Quizlet and memorize flashcards containing terms like Water table, Ground water, Well and more. Physical geology laboratory manual answers 11th edition ... Physical geology laboratory manual answers 11th edition answers key pdf. Page 2. Table of contents : Content: Laboratory 1: Filling Your Geoscience Toolbox ...

## The Enigmatic Realm of **Fiat Ducato Engine Diagram**: Unleashing the Language is Inner Magic

In a fast-paced digital era where connections and knowledge intertwine, the enigmatic realm of language reveals its inherent magic. Its capacity to stir emotions, ignite contemplation, and catalyze profound transformations is nothing short of extraordinary. Within the captivating pages of **Fiat Ducato Engine Diagram** a literary masterpiece penned with a renowned author, readers set about a transformative journey, unlocking the secrets and untapped potential embedded within each word. In this evaluation, we shall explore the book's core themes, assess its distinct writing style, and delve into its lasting effect on the hearts and minds of those who partake in its reading experience.

[https://offsite.creighton.edu/files/virtual-library/Documents/history\\_alive\\_book.pdf](https://offsite.creighton.edu/files/virtual-library/Documents/history_alive_book.pdf)

[https://offsite.creighton.edu/files/virtual-library/Documents/hellen\\_keller\\_jokes.pdf](https://offsite.creighton.edu/files/virtual-library/Documents/hellen_keller_jokes.pdf)

[https://offsite.creighton.edu/files/virtual-library/Documents/high\\_performance\\_people\\_swear\\_more.pdf](https://offsite.creighton.edu/files/virtual-library/Documents/high_performance_people_swear_more.pdf)

### **Table of Contents Fiat Ducato Engine Diagram**

1. Understanding the eBook Fiat Ducato Engine Diagram
  - The Rise of Digital Reading Fiat Ducato Engine Diagram
  - Advantages of eBooks Over Traditional Books
2. Identifying Fiat Ducato Engine Diagram
  - Exploring Different Genres
  - Considering Fiction vs. Non-Fiction
  - Determining Your Reading Goals
3. Choosing the Right eBook Platform
  - Popular eBook Platforms



- Features to Look for in an Fiat Ducato Engine Diagram
- User-Friendly Interface
- 4. Exploring eBook Recommendations from Fiat Ducato Engine Diagram
  - Personalized Recommendations
  - Fiat Ducato Engine Diagram User Reviews and Ratings
  - Fiat Ducato Engine Diagram and Bestseller Lists
- 5. Accessing Fiat Ducato Engine Diagram Free and Paid eBooks
  - Fiat Ducato Engine Diagram Public Domain eBooks
  - Fiat Ducato Engine Diagram eBook Subscription Services
  - Fiat Ducato Engine Diagram Budget-Friendly Options
- 6. Navigating Fiat Ducato Engine Diagram eBook Formats
  - ePub, PDF, MOBI, and More
  - Fiat Ducato Engine Diagram Compatibility with Devices
  - Fiat Ducato Engine Diagram Enhanced eBook Features
- 7. Enhancing Your Reading Experience
  - Adjustable Fonts and Text Sizes of Fiat Ducato Engine Diagram
  - Highlighting and Note-Taking Fiat Ducato Engine Diagram
  - Interactive Elements Fiat Ducato Engine Diagram
- 8. Staying Engaged with Fiat Ducato Engine Diagram
  - Joining Online Reading Communities
  - Participating in Virtual Book Clubs
  - Following Authors and Publishers Fiat Ducato Engine Diagram
- 9. Balancing eBooks and Physical Books Fiat Ducato Engine Diagram
  - Benefits of a Digital Library
  - Creating a Diverse Reading Collection Fiat Ducato Engine Diagram
- 10. Overcoming Reading Challenges
  - Dealing with Digital Eye Strain
  - Minimizing Distractions
  - Managing Screen Time
- 11. Cultivating a Reading Routine Fiat Ducato Engine Diagram

- Setting Reading Goals Fiat Ducato Engine Diagram
- Carving Out Dedicated Reading Time
- 12. Sourcing Reliable Information of Fiat Ducato Engine Diagram
  - Fact-Checking eBook Content of Fiat Ducato Engine Diagram
  - Distinguishing Credible Sources
- 13. Promoting Lifelong Learning
  - Utilizing eBooks for Skill Development
  - Exploring Educational eBooks
- 14. Embracing eBook Trends
  - Integration of Multimedia Elements
  - Interactive and Gamified eBooks

### **Fiat Ducato Engine Diagram Introduction**

In this digital age, the convenience of accessing information at our fingertips has become a necessity. Whether its research papers, eBooks, or user manuals, PDF files have become the preferred format for sharing and reading documents. However, the cost associated with purchasing PDF files can sometimes be a barrier for many individuals and organizations. Thankfully, there are numerous websites and platforms that allow users to download free PDF files legally. In this article, we will explore some of the best platforms to download free PDFs. One of the most popular platforms to download free PDF files is Project Gutenberg. This online library offers over 60,000 free eBooks that are in the public domain. From classic literature to historical documents, Project Gutenberg provides a wide range of PDF files that can be downloaded and enjoyed on various devices. The website is user-friendly and allows users to search for specific titles or browse through different categories. Another reliable platform for downloading Fiat Ducato Engine Diagram free PDF files is Open Library. With its vast collection of over 1 million eBooks, Open Library has something for every reader. The website offers a seamless experience by providing options to borrow or download PDF files. Users simply need to create a free account to access this treasure trove of knowledge. Open Library also allows users to contribute by uploading and sharing their own PDF files, making it a collaborative platform for book enthusiasts. For those interested in academic resources, there are websites dedicated to providing free PDFs of research papers and scientific articles. One such website is Academia.edu, which allows researchers and scholars to share their work with a global audience. Users can download PDF files of research papers, theses, and dissertations covering a wide range of subjects. Academia.edu also provides a platform for discussions and networking within the academic community. When it comes to downloading Fiat Ducato Engine Diagram free PDF files of magazines,

brochures, and catalogs, Issuu is a popular choice. This digital publishing platform hosts a vast collection of publications from around the world. Users can search for specific titles or explore various categories and genres. Issuu offers a seamless reading experience with its user-friendly interface and allows users to download PDF files for offline reading. Apart from dedicated platforms, search engines also play a crucial role in finding free PDF files. Google, for instance, has an advanced search feature that allows users to filter results by file type. By specifying the file type as "PDF," users can find websites that offer free PDF downloads on a specific topic. While downloading Fiat Ducato Engine Diagram free PDF files is convenient, it's important to note that copyright laws must be respected. Always ensure that the PDF files you download are legally available for free. Many authors and publishers voluntarily provide free PDF versions of their work, but it's essential to be cautious and verify the authenticity of the source before downloading Fiat Ducato Engine Diagram. In conclusion, the internet offers numerous platforms and websites that allow users to download free PDF files legally. Whether it's classic literature, research papers, or magazines, there is something for everyone. The platforms mentioned in this article, such as Project Gutenberg, Open Library, Academia.edu, and Issuu, provide access to a vast collection of PDF files. However, users should always be cautious and verify the legality of the source before downloading Fiat Ducato Engine Diagram any PDF files. With these platforms, the world of PDF downloads is just a click away.

### **FAQs About Fiat Ducato Engine Diagram Books**

How do I know which eBook platform is the best for me? Finding the best eBook platform depends on your reading preferences and device compatibility. Research different platforms, read user reviews, and explore their features before making a choice. Are free eBooks of good quality? Yes, many reputable platforms offer high-quality free eBooks, including classics and public domain works. However, make sure to verify the source to ensure the eBook credibility. Can I read eBooks without an eReader? Absolutely! Most eBook platforms offer web-based readers or mobile apps that allow you to read eBooks on your computer, tablet, or smartphone. How do I avoid digital eye strain while reading eBooks? To prevent digital eye strain, take regular breaks, adjust the font size and background color, and ensure proper lighting while reading eBooks. What the advantage of interactive eBooks? Interactive eBooks incorporate multimedia elements, quizzes, and activities, enhancing the reader engagement and providing a more immersive learning experience. Fiat Ducato Engine Diagram is one of the best book in our library for free trial. We provide copy of Fiat Ducato Engine Diagram in digital format, so the resources that you find are reliable. There are also many Ebooks of related with Fiat Ducato Engine Diagram. Where to download Fiat Ducato Engine Diagram online for free? Are you looking for Fiat Ducato Engine Diagram PDF? This is definitely going to save you time and cash in something you should think about.

**Find Fiat Ducato Engine Diagram :**

[history alive book](#)

**[hellen keller jokes](#)**

[high performance people swear more](#)

[holy spirit jokes](#)

*heart tell it like it is*

**[head first design patterns](#)**

**[history of tangrams](#)**

[hebrew and aramaic](#)

[holy bible bishop macedo](#)

[hells angels 1950s](#)

**[having the guts](#)**

[hitting drills for stepping out](#)

*heartsaver instructor manual*

**[health and physical education for elementary classroom teachers pdf](#)**

[hcg dose for weight loss](#)

**Fiat Ducato Engine Diagram :**