



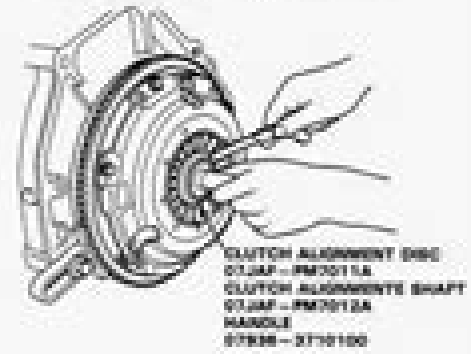
- Introduction
- General Information
- Special Tools
- Specifications
- Maintenance
- Engine
  - Design & Operation
  - Engine Removal/Installation
  - Cylinder Head/Valve Train
  - Engine Block
  - Engine Lubrication
  - Intake Manifold/Exhaust System
  - Cooling
- Fuel & Emissions
- Transaxle
  - Clutch
  - Manual Transmission
  - Automatic Transmission
  - Differential (Manual Transmission)
  - Differential (Automatic Transmission)
- Driveshafts
- Steering
- Suspension
- Brakes
- Body
- Heater
- Air Conditioner
- Electrical
- Wiring Diagrams

## Pressure Plate

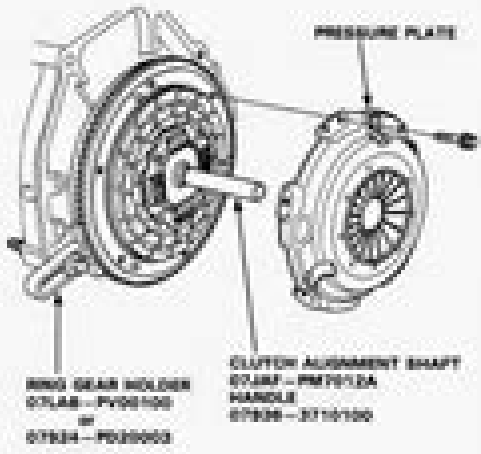
### Removal/Inspection

1. Inspect the fingers of the diaphragm spring for wear at the release bearing contact area.
2. Check the diaphragm spring fingers for height using the special tools and a feeler gauge.

Standard (New): 0.8 mm (0.031 in) Min.  
 Service Limit: 1.0 mm (0.04 in) Max.

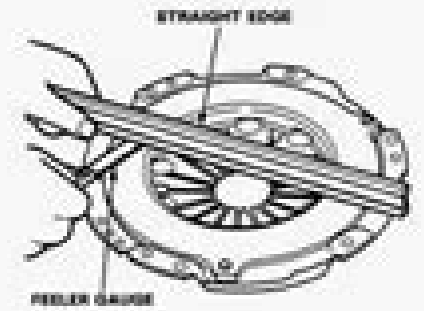


3. Install the ring gear holder, handle and Clutch Alignment Shaft.
4. To prevent warping, unscrew the pressure plate mounting bolts two turns at a time in a criss-cross pattern, then remove the pressure plate.



5. Inspect the pressure plate surface for wear, cracks, or burning.
6. Inspect the fingers of the diaphragm spring for wear at the release bearing contact area.
7. Inspect for warpage using a straight edge and feeler gauge. Measure across the pressure plate.

Standard (New): 0.03 mm (0.001 in) Min.  
 Service Limit: 0.15 mm (0.006 in)



# 8 Civic Repair Manual

**J Elliott**



## 8 Civic Repair Manual

*bs en 60617 13 1993 graphical symbols for diagrams* - Oct 23 2022

web jan 1 1993 *bs en 190000 1996 harmonized system of quality assessment for electronic components generic specification monolithic integrated circuits bs 7845 1996 guide to the use of bs 3939 and bs en 60617 graphical symbols for diagrams bs 0 3 1997 a standard for standards part 3 specification for structure drafting and presentation en*

**bs en 60617 2 graphical symbols for diagrams part 2 symbol** - Sep 21 2022

web *bs en 60617 2 1996 edition 1996 graphical symbols for diagrams part 2 symbol elements qualifying symbols and other symbols having general application introduction this part of iec 617 forms an element of a series which deals with graphical symbols for diagrams the series consists of the following parts*

*bs en 60617 cuircuit diagram symbols electricians forums* - May 18 2022

web sep 10 2023 *discuss bs en 60617 cuircuit diagram symbols in the electrical courses and electrical nvq s area at electriciansforums net c ct13 reaction score 4 may 9 2009 electrical control symbols last edited may 9 2009 reply to mr mark sparks op c ct13 reaction score 4 may 9 2009*

**iec 60617 graphical symbols for diagrams** - Aug 01 2023

web nov 3 2023 *iec 60617 contains graphical symbols for use in electrotechnical diagrams all the parts ed 2 or 3 of the previously published iec 60617 have been incorporated into this database that currently includes some 1900 symbols the database is the official source of iec 60617*

[iec 60617 graphical symbols for diagrams](#) - Jun 30 2023

web *iec 60617 contains graphical symbols for use in electrotechnical diagrams all the parts ed 2 or 3 of the previously published iec 60617 have been incorporated into this database that currently includes some 1750 symbols the database is the official source of iec 60617 subscriptions and end user restrictions*

**guide to the use of bs 3939 and bs en 60617 graphical symbols** - Jan 26 2023

web apr 15 1996 *guide to the use of bs 3939 and bs en 60617 graphical symbols for diagrams british standards institute staff google books guide to the use of bs 3939 and bs en 60617*

**bs en 60617 9 graphical symbols for diagrams** - Feb 24 2023

web dec 15 1996 *the current release of this standard is bs en 60617 9 1996 graphical symbols for diagrams telecommunications switching and peripheral equipment doi org 10 3403 00907637 published 15 12 1996 this standard is available from the following sources british standards shop shop british standards online bsol*

**electrical symbols bs en 60617 documents and e books** - Jun 18 2022

web electrical symbols bs en 60617 uploaded by rob pettit october 2019 pdf bookmark download this document was uploaded by user and they confirmed that they have the permission to share it if you are author or own the copyright of this book please report to us by using this dmca report form

**bsi bs en 60617 2 graphical symbols for diagrams part 2 symbol** - May 30 2023

web dec 15 1996 details history references related products scope introduction this part of iec 617 forms an element of a series which deals with graphical symbols for diagrams the series consists of the following parts part 1 general information general index cross reference tables

**bsi bs en 60617 7 graphical symbols for diagrams** - Feb 12 2022

web dec 15 1996 details history references related products scope introduction this part of iec 617 forms an element of a series which deals with graphical symbols for diagrams the series consists of the following parts part 1 general information general index cross reference tables

*bs en 60617 12 graphical symbols for diagrams* - Dec 25 2022

web feb 15 1999 find the most up to date version of bs en 60617 12 at globalspec unlimited free access to the world s best ideas sign up to see more first name bsi bs en 60617 12 graphical symbols for diagrams part 12 binary logic elements active most current buy now details history references related

**electronic symbol wikipedia** - Sep 02 2023

web trace connection iec style trace junction iec style trace crossing unconnected trace crossing hand drawn schematics grounds the shorthand for ground is gnd optionally the triangle in the middle symbol may be filled in general ground iec style signal low noise ground the asterisk is not part of the symbol

[bs en 60617 2 graphical symbols for diagrams symbol](#) - Mar 28 2023

web dec 15 1996 the current release of this standard is bs en 60617 2 1996 graphical symbols for diagrams symbol elements qualifying symbols and other symbols having general application doi org 10 3403 00866290 published 15 12 1996 this standard is available from the following sources british standards shop shop british standards

*download solutions bs en 60617 symbols* - Mar 16 2022

web bs en 60617 symbols electrical installations mar 25 2020 adopting a practical approach this resource provides coverage of the theory underpinning the nvq planning guide for power distribution plants mar 06 2021 when planning an industrial power supply plant the specific requirements of

**bs en 60617 graphical symbols for diagrams** - Oct 03 2023

web this is a multi part document divided into the following parts part 2 graphical symbols for diagrams symbol elements

qualifying symbols and other symbols having general application part 3 graphical symbols for diagrams conductors and connecting devices part 4 graphical symbols for diagrams basic passive components

**electrical symbols bs en 60617 pdf fluorescent lamp** - Nov 23 2022

web electrical symbols bs en 60617 free download as word doc doc pdf file pdf text file txt or read online for free electrical symbols bs en 60617

engineering standards and regulations flowsheet symbols - Jul 20 2022

web to confirm the status of any standard identify the replacement standard if it is obsolete and or purchase the standard please use it is also possible to become a bsi member and obtain copies of the standards at much reduced prices standards index reference standards mechanical electrical process diagrams note

**pdf bs en 60617 symbols pdfsdocuments2 com en 60617 symbols bs en** - Apr 16 2022

web bs en 60617 symbols bs en 60617 gives the graphical symbols that should be used in all electrical electronic diagrams ordrawings since the symbols bs en 60617 symbols mybookdir com enpdf bs en 60617 symbols pdf bs en 60617 symbols may 3 2010 iec 60617 contains graphical symbols for use in electrotechnical diagrams

*graphical symbols for diagrams engineering discussions iet* - Aug 21 2022

web what is the standard that replaces iec 60617 graphical symbols for diagrams withdrawn 1997 i can find the active iec 60617 database snapshot 2nd march 2015 for use on equipment but not a new revision of the standard thanks rob register to reply already registered log in and reply join us to get the best from iet engx

bs en 60617 2 1996 graphical symbols for diagrams symbol - Apr 28 2023

web dec 15 1996 bs en 60617 2 1996 is maintained by gel 3 this standard is available from the following sources british standards shop shop british standards online bsol

**inverse functions test on e2020 pdf legacy theoec** - Jun 05 2023

web inverse functions test on e2020 3 3 evidence based dementia practice methods of behavior analysis in neuroscience collected papers of l d landau brings together the

**inverse functions test on e2020 pdf uniport edu** - Nov 29 2022

web keenness of this inverse functions test on e2020 can be taken as without difficulty as picked to act kappa distributions marian lazar 2021 12 02 this book presents recent

**inverse functions test on e2020 pdf brabantmagazines** - Feb 18 2022

web inverse functions test on e2020 3 3 is certain to become an indispensable tool you ll find value added features such as quick tips and case studies quotes from leading

**inverse functions test on e2020 pqr uiaf gov co** - Dec 19 2021

web jul 26 2023 inverse functions test on e2020 by online you might not require more time to spend to go to the book foundation as capably as search for them in some cases you

**inverse functions test on e2020 pdf uniport edu** - Oct 29 2022

web the verify that two functions are inverses exercise appears under the algebra ii math mission this exercise practices composing functions given the formulas of two

**inverse functions test on e2020 pdf portal nivbook co** - Aug 07 2023

web inverse functions test on e2020 3 3 respective topics lists of the necessary materials and reagents step by step readily reproducible laboratory protocols and tips on

**inverse functions test on e2020 sales macktrucks com au** - Jan 20 2022

web just what we pay for under as competently as evaluation inverse functions test on e2020 what you as soon as to read working on the work phillip c schlechty 2002 04 29

*inverse functions test on e2020 uniport edu* - Apr 22 2022

web aug 5 2023 inverse functions test on e2020 2 10 downloaded from uniport edu ng on august 5 2023 by guest incorporation into primary lysosomes and ph dependent

inverse functions test on e2020 virtualb60 boskone org - Mar 02 2023

web 2 inverse functions test on e2020 2022 12 28 disease the text then focuses on explaining the means by which glycemc control and lipid metabolism and associated

**inverse functions test on e2020 copy uniport edu** - Jun 24 2022

web inverse functions test on e2020 is available in our digital library an online access to it is set as public so you can download it instantly our book servers saves in multiple

inverse functions test geogebra - Feb 01 2023

web examples solutions videos activities and worksheets that are suitable for a level maths to help students find inverse functions graphically and mathematically functions

verify that two functions are inverses khan academy wiki - Sep 27 2022

web aug 11 2023 inverse functions test on e2020 2 11 downloaded from uniport edu ng on august 11 2023 by guest and assemblies structured to follow typical job progression

**inverse functions test on e2020 pdf ceu social** - May 24 2022

web sep 6 2023 could enjoy now is inverse functions test on e2020 below anomalies in quantum field theory reinhold a bertlmann 2000 11 02 this text presents the different

inverse functions test on e2020 pdf db csda - Sep 08 2023

web inverse functions test on e2020 downloaded from db csda org by guest nicholson hernandez current pharmaceutical design springer science business media this

*inverse functions test on e2020 pdf secure mowtampa* - Jul 06 2023

web 2 inverse functions test on e2020 2020 05 28 inverse functions test on e2020 downloaded from secure mowtampa org by guest ramos rhodes architectural

**inverse functions test on e2020 copy uniport edu** - Nov 17 2021

**inverse functions test on e2020 uniport edu** - Mar 22 2022

web enter the realm of inverse functions test on e2020 a mesmerizing literary masterpiece penned by way of a distinguished author guiding readers on a profound journey to

*inverse functions test on e2020 pdf* - May 04 2023

web this inverse functions test on e2020 as one of the most involved sellers here will enormously be accompanied by the best options to review econophysics of income and

inverse functions test on e2020 pdf ead3 archivists - Oct 09 2023

web oct 22 2023 inverse functions test on e2020 society for neuroscience abstracts society for neuroscience u s annual meeting 1999 pharmacophores and pharmacophore searches thierry langer 2006 12 13 this handbook is the first to

**inverse functions test on e2020 pdf uniport edu** - Aug 27 2022

web inverse functions test on e2020 if you ally compulsion such a referred inverse functions test on e2020 books that will offer you worth acquire the enormously best

**evaluate inverse functions practice khan academy** - Apr 03 2023

web learn for free about math art computer programming economics physics chemistry biology medicine finance history and more khan academy is a nonprofit with the mission of providing a free world class education for anyone anywhere

*inverse function exam questions examples solutions* - Dec 31 2022

web jul 31 2023 inverse functions test on e2020 2 9 downloaded from uniport edu ng on july 31 2023 by guest identify those areas in which critical information is lacking and in

*inverse functions test on e2020 help environment harvard edu* - Jul 26 2022

web inverse functions test on e2020 2 8 downloaded from uniport edu ng on august 6 2023 by guest internal temperature of stars some of landau s theories such as those of

*hsc biology 2nd paper question suggestion 2023 studywifi* - Jun 21 2022

web september 14 2023 by taher hsc biology 2nd paper question solution 2023 all boards has been published on our website

this year 13 lakh 50 thousand students participated

**hsc biology 2nd paper mcq questions and answers 2023 pdf** - Aug 04 2023

web sep 14 2023 in this exam students have to answer 25 marks mcq questions within 25 minutes students have to carefully fill up the omr sheet with exam year roll number

**hsc biology 2nd mcq question with answer 2021 teaching bd** - May 01 2023

web mar 23 2019 hsc biology 2nd paper mcq question with answer 2021 biology is a natural science concerned with the study of life and living organisms including their

**hsc biology 2nd paper mcq question solution 2023** - Mar 19 2022

web mar 22 2018 hsc biology 2nd paper mcq question with answer hsc patterns suggestion and the question was distributed by the board of intermediate and secondary

*hsc biology 2nd paper question solution 2023 edu info bd* - Feb 15 2022

web posted on march 22 2018 by shah jamal human physiology blood circulation hsc biology 2nd mcq question with answer hsc patterns suggestion and the question

**hsc biology 2nd paper question solution 2023 100 right** - Apr 19 2022

web jun 20 2023 biology 2nd paper examination has been held simultaneously in nine boards of the country today immediately after the end of the exam we came before you

*biology 2nd paper mcq solve hsc 2014 ebookpromotions online* - Jul 03 2023

web file name biology 2nd paper mcq solve hsc 2014 size 4471 kb type pdf epub ebook category book uploaded 2023 oct 21 08 11 rating 4 6 5 from 786 votes

*hsc biology 2nd paper question solution 2023 all boards mcq* - Aug 24 2022

web feb 1 2023 you will have to write 5 creative answers in the cq part of your hsc question 2023 biology 2nd paper out of 7 questions these 5 questions consist of the whole

**2014 hsc biology past paper with sample answers hscninja** - Oct 06 2023

web browse the 2014 hsc biology exam with similar questions sample answers and marking guidelines toggle navigation hscninja ninjalearning enroll now atar calc honour

**human physiology digestion and absorption hsc biology 2nd** - Jan 17 2022

web sep 14 2023 hsc biology 2nd paper question solution mymensingh board 2023 is also available here you can find the mcq solution on our website 25 multiple choice

ev hsc biology 2 mcq question answer 2021 teaching bd - Dec 28 2022

web sep 15 2023 jessore board hsc biology 2nd paper mcq paper answer jessore board of education is one of the largest



boards of education in bangladesh download

**hsc biology 2nd paper question solution dhaka board 2023** - Jul 23 2022

web oct 6 2023 01 december 2023 hsc biology 2nd paper exam is held a large number of science group student participate in biology second paper written mcq test after

[hsc biology 2nd paper mcq question](#) - Sep 24 2022

web sep 14 2023 a lot of students participated in the hsc exam 2023 from dhaka boards hsc biology 2nd paper writing and mcq solution 2023 pdf will be published in this part

*hsc biology 2nd paper question solution mymensingh board 2023* - Nov 14 2021

**pdf hsc biology 2nd paper question and answer courstika** - Sep 05 2023

web hsc biology 2nd paper question

*today hsc biology 2nd paper mcq question solution 2023* - May 21 2022

web sep 14 2023 the hsc examination of 2023 is being held in the light of short syllabus therefore the examination of biology 2nd paper has been taken in the same manner

**hsc biology 2nd paper all education result** - Nov 26 2022

web the hsc examination of all the boards of the science department was held on 14 september 2023 the hsc biology 2nd paper exam is held today thursday so you

**hsc biology 2nd paper question solution 2023** - Oct 26 2022

web sep 14 2023 hsc biology 2nd paper mcq question solution 2023 today i e 14th september 2023 thursday from 10 00 am to 1 00 pm hsc 2023 biology second paper

**hsc biology 2nd paper question solution 2023 mcq cq** - Jun 02 2023

web oct 17 2023 question solution hsc biology 2nd paper exam was held on september 14 after completing the exam now students of science department are looking for hsc

**hsc biology 2nd paper question solution pdf 100** - Jan 29 2023

web oct 17 2023 hsc biology 2nd paper exam was held today from 10 am to 1 pm as per hsc exam routine hsc biology 2nd paper board questions pdf after completing the

**animal diversity and classification hsc biology 2nd** - Mar 31 2023

web mar 2 2019 ev hsc biology ii 2nd chapter mcq question answer animal s identity in contrast to the other orienting perspectives employed by sociologists symbolic

*ev hsc biology ii 2nd chapter mcq question answer* - Feb 27 2023

web mar 2 2019 ev hsc biology 2nd paper mcq question with answer 2021 1 animal diversity and classification 2 animal s  
identity 3 human physiology digestion and

**human physiology blood circulation hsc biology 2nd mcq** - Dec 16 2021

Getting the books **8 Civic Repair Manual** now is not type of challenging means. You could not single-handedly going in the manner of ebook gathering or library or borrowing from your friends to open them. This is an very easy means to specifically get lead by on-line. This online statement 8 Civic Repair Manual can be one of the options to accompany you as soon as having extra time.

It will not waste your time. assume me, the e-book will definitely atmosphere you supplementary situation to read. Just invest little grow old to get into this on-line proclamation **8 Civic Repair Manual** as capably as evaluation them wherever you are now.

[https://offsite.creighton.edu/files/virtual-library/Documents/icons\\_of\\_the\\_20th\\_century.pdf](https://offsite.creighton.edu/files/virtual-library/Documents/icons_of_the_20th_century.pdf)

[https://offsite.creighton.edu/files/virtual-library/Documents/ive\\_loved\\_you\\_since\\_forever\\_song.pdf](https://offsite.creighton.edu/files/virtual-library/Documents/ive_loved_you_since_forever_song.pdf)

[https://offsite.creighton.edu/files/virtual-library/Documents/icc\\_fire\\_inspector\\_1\\_exam\\_prep.pdf](https://offsite.creighton.edu/files/virtual-library/Documents/icc_fire_inspector_1_exam_prep.pdf)

## **Table of Contents 8 Civic Repair Manual**

1. Understanding the eBook 8 Civic Repair Manual
  - The Rise of Digital Reading 8 Civic Repair Manual
  - Advantages of eBooks Over Traditional Books
2. Identifying 8 Civic Repair Manual
  - Exploring Different Genres
  - Considering Fiction vs. Non-Fiction
  - Determining Your Reading Goals
3. Choosing the Right eBook Platform
  - Popular eBook Platforms

- Features to Look for in an 8 Civic Repair Manual
- User-Friendly Interface
- 4. Exploring eBook Recommendations from 8 Civic Repair Manual
  - Personalized Recommendations
  - 8 Civic Repair Manual User Reviews and Ratings
  - 8 Civic Repair Manual and Bestseller Lists
- 5. Accessing 8 Civic Repair Manual Free and Paid eBooks
  - 8 Civic Repair Manual Public Domain eBooks
  - 8 Civic Repair Manual eBook Subscription Services
  - 8 Civic Repair Manual Budget-Friendly Options
- 6. Navigating 8 Civic Repair Manual eBook Formats
  - ePub, PDF, MOBI, and More
  - 8 Civic Repair Manual Compatibility with Devices
  - 8 Civic Repair Manual Enhanced eBook Features
- 7. Enhancing Your Reading Experience
  - Adjustable Fonts and Text Sizes of 8 Civic Repair Manual
  - Highlighting and Note-Taking 8 Civic Repair Manual
  - Interactive Elements 8 Civic Repair Manual
- 8. Staying Engaged with 8 Civic Repair Manual
  - Joining Online Reading Communities
  - Participating in Virtual Book Clubs
  - Following Authors and Publishers 8 Civic Repair Manual
- 9. Balancing eBooks and Physical Books 8 Civic Repair Manual
  - Benefits of a Digital Library
  - Creating a Diverse Reading Collection 8 Civic Repair Manual
- 10. Overcoming Reading Challenges
  - Dealing with Digital Eye Strain
  - Minimizing Distractions
  - Managing Screen Time
- 11. Cultivating a Reading Routine 8 Civic Repair Manual

- Setting Reading Goals 8 Civic Repair Manual
- Carving Out Dedicated Reading Time
- 12. Sourcing Reliable Information of 8 Civic Repair Manual
  - Fact-Checking eBook Content of 8 Civic Repair Manual
  - Distinguishing Credible Sources
- 13. Promoting Lifelong Learning
  - Utilizing eBooks for Skill Development
  - Exploring Educational eBooks
- 14. Embracing eBook Trends
  - Integration of Multimedia Elements
  - Interactive and Gamified eBooks

### **8 Civic Repair Manual Introduction**

8 Civic Repair Manual Offers over 60,000 free eBooks, including many classics that are in the public domain. Open Library: Provides access to over 1 million free eBooks, including classic literature and contemporary works. 8 Civic Repair Manual Offers a vast collection of books, some of which are available for free as PDF downloads, particularly older books in the public domain. 8 Civic Repair Manual : This website hosts a vast collection of scientific articles, books, and textbooks. While it operates in a legal gray area due to copyright issues, its a popular resource for finding various publications. Internet Archive for 8 Civic Repair Manual : Has an extensive collection of digital content, including books, articles, videos, and more. It has a massive library of free downloadable books. Free-eBooks 8 Civic Repair Manual Offers a diverse range of free eBooks across various genres. 8 Civic Repair Manual Focuses mainly on educational books, textbooks, and business books. It offers free PDF downloads for educational purposes. 8 Civic Repair Manual Provides a large selection of free eBooks in different genres, which are available for download in various formats, including PDF. Finding specific 8 Civic Repair Manual, especially related to 8 Civic Repair Manual, might be challenging as theyre often artistic creations rather than practical blueprints. However, you can explore the following steps to search for or create your own Online Searches: Look for websites, forums, or blogs dedicated to 8 Civic Repair Manual, Sometimes enthusiasts share their designs or concepts in PDF format. Books and Magazines Some 8 Civic Repair Manual books or magazines might include. Look for these in online stores or libraries. Remember that while 8 Civic Repair Manual, sharing copyrighted material without permission is not legal. Always ensure youre either creating your own or obtaining them from legitimate sources that allow sharing and downloading. Library Check if your local library offers eBook lending services. Many libraries have digital catalogs where you can borrow 8

Civic Repair Manual eBooks for free, including popular titles. Online Retailers: Websites like Amazon, Google Books, or Apple Books often sell eBooks. Sometimes, authors or publishers offer promotions or free periods for certain books. Authors Website Occasionally, authors provide excerpts or short stories for free on their websites. While this might not be the 8 Civic Repair Manual full book, it can give you a taste of the authors writing style. Subscription Services Platforms like Kindle Unlimited or Scribd offer subscription-based access to a wide range of 8 Civic Repair Manual eBooks, including some popular titles.

### **FAQs About 8 Civic Repair Manual Books**

How do I know which eBook platform is the best for me? Finding the best eBook platform depends on your reading preferences and device compatibility. Research different platforms, read user reviews, and explore their features before making a choice. Are free eBooks of good quality? Yes, many reputable platforms offer high-quality free eBooks, including classics and public domain works. However, make sure to verify the source to ensure the eBook credibility. Can I read eBooks without an eReader? Absolutely! Most eBook platforms offer webbased readers or mobile apps that allow you to read eBooks on your computer, tablet, or smartphone. How do I avoid digital eye strain while reading eBooks? To prevent digital eye strain, take regular breaks, adjust the font size and background color, and ensure proper lighting while reading eBooks. What the advantage of interactive eBooks? Interactive eBooks incorporate multimedia elements, quizzes, and activities, enhancing the reader engagement and providing a more immersive learning experience. 8 Civic Repair Manual is one of the best book in our library for free trial. We provide copy of 8 Civic Repair Manual in digital format, so the resources that you find are reliable. There are also many Ebooks of related with 8 Civic Repair Manual. Where to download 8 Civic Repair Manual online for free? Are you looking for 8 Civic Repair Manual PDF? This is definitely going to save you time and cash in something you should think about. If you trying to find then search around for online. Without a doubt there are numerous these available and many of them have the freedom. However without doubt you receive whatever you purchase. An alternate way to get ideas is always to check another 8 Civic Repair Manual. This method for see exactly what may be included and adopt these ideas to your book. This site will almost certainly help you save time and effort, money and stress. If you are looking for free books then you really should consider finding to assist you try this. Several of 8 Civic Repair Manual are for sale to free while some are payable. If you arent sure if the books you would like to download works with for usage along with your computer, it is possible to download free trials. The free guides make it easy for someone to free access online library for download books to your device. You can get free download on free trial for lots of books categories. Our library is the biggest of these that have literally hundreds of thousands of different products categories represented. You will also see that there are specific sites catered to different product types or categories, brands or niches related with 8 Civic Repair Manual.

So depending on what exactly you are searching, you will be able to choose e books to suit your own need. Need to access completely for Campbell Biology Seventh Edition book? Access Ebook without any digging. And by having access to our ebook online or by storing it on your computer, you have convenient answers with 8 Civic Repair Manual To get started finding 8 Civic Repair Manual, you are right to find our website which has a comprehensive collection of books online. Our library is the biggest of these that have literally hundreds of thousands of different products represented. You will also see that there are specific sites catered to different categories or niches related with 8 Civic Repair Manual So depending on what exactly you are searching, you will be able to choose ebook to suit your own need. Thank you for reading 8 Civic Repair Manual. Maybe you have knowledge that, people have search numerous times for their favorite readings like this 8 Civic Repair Manual, but end up in harmful downloads. Rather than reading a good book with a cup of coffee in the afternoon, instead they juggled with some harmful bugs inside their laptop. 8 Civic Repair Manual is available in our book collection an online access to it is set as public so you can download it instantly. Our digital library spans in multiple locations, allowing you to get the most less latency time to download any of our books like this one. Merely said, 8 Civic Repair Manual is universally compatible with any devices to read.

### **Find 8 Civic Repair Manual :**

[icons of the 20th century](#)

**i've loved you since forever song**

~~icc fire inspector 1 exam prep~~

~~how to write a corporate resolution~~

*impending crisis of the south*

[i wish my mom died](#)

*i 130 affidavit sample*

~~icc truck driving school~~

**i tre moschettieri rome**

*human anatomy martini*

[huberman lab exercise pdf](#)

~~im glad my mom died book summary~~

[ib math hl](#)

**hyundai sonata owner's manual**

~~igh stand for~~

**8 Civic Repair Manual :**