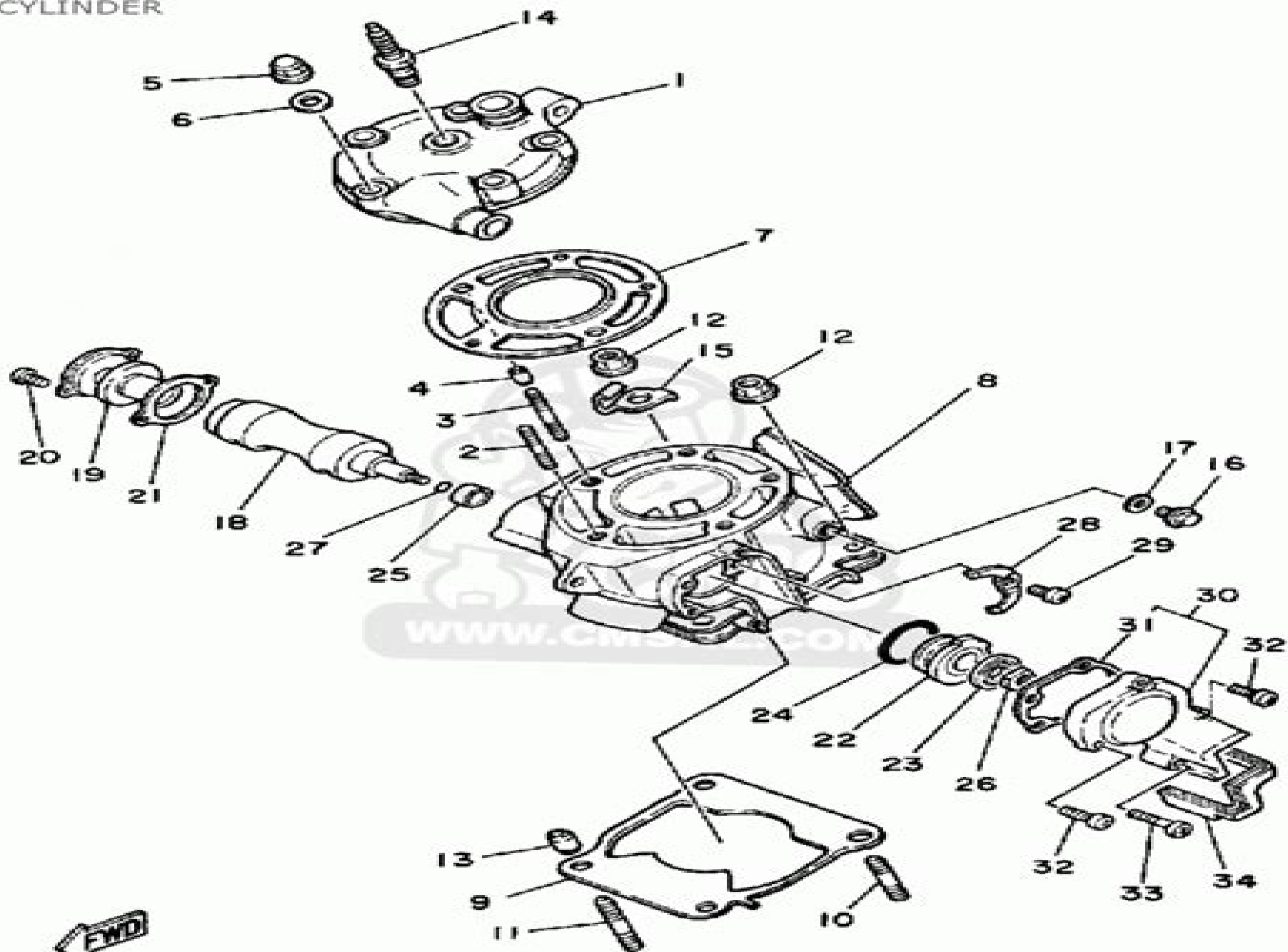


# CYLINDER



55Y100-5010

Get these parts at [www.cmsnl.com](http://www.cmsnl.com) !

# Yz125 04 Engine Diagram

**Yijin Wang**



# Yz125 04 Engine Diagram

Marine Diesel Basics 1 Dennison Berwick,2017-05-11 Seeing is Understanding The first VISUAL guide to marine diesel systems on recreational boats Step by step instructions in clear simple drawings explain how to maintain winterize and recommission all parts of the system fuel deck fill engine batteries transmission stern gland propeller Book one of a new series Canadian author is a sailor and marine mechanic cruising aboard his 36 foot steel hulled Chevrier sloop Illustrations 300 drawings Pages 222 pages Published 2017 Format softcover Category Inboards Gas Diesel **The New System of Educating Horses Including Instructions on Feeding, Watering, Stabling, Shoeing, Etc. with Practical Treatment for Diseases** Dennis Magner,1873 **MX & Off-Road Performance Handbook -3rd Edition** Eric Gorr, This book includes Four stroke engine rebuilding and tuning Suspension setup and tuning Carburettor jetting Setup tips for late model motocross and off road bikes From cover **Yamaha T50 and 80 Townmate Owners Workshop Manual** Pete Shoemark,1995 T50 Townmate 49cc 86 89 T80 Townmate 79cc 83 95 *Legendary Motocross Bikes* Terry Good,2009 In 25 richly illustrated profiles champion motocross riders describe the experience the winning bike and its special features *The Second World Ocean Assessment* United Nations Publications,2021-09-22 In its resolutions 57 141 and 58 240 the General Assembly decided to establish a regular process under the United Nations for global reporting and assessment of the state of the marine environment including socioeconomic aspects both current and foreseeable building on existing regional assessments In its resolution 71 257 the Assembly recalled that the scope of the first cycle of the Regular Process focused on establishing a baseline and decided that the scope of the second cycle would extend to evaluating trends and identifying gaps The programme of work for the period 2017 2020 of the second cycle of the Regular Process includes the preparation by the Group of Experts of the Regular Process for Global Reporting and Assessment of the State of the Marine Environment including Socioeconomic Aspects of the second World Ocean Assessment building on the baselines established by the First Global Integrated Marine Assessment first World Ocean Assessment In its resolution 72 73 the Assembly decided that the Group of Experts should proceed on the basis of a single comprehensive assessment The present document was prepared by the Group of Experts in accordance with those decisions Summary **Chassis Engineering** Herb Adams,1992-11-19 In most forms of racing cornering speed is the key to winning On the street precise and predictable handling is the key to high performance driving However the art and science of engineering a chassis can be difficult to comprehend let alone apply Chassis Engineering explains the complex principles of suspension geometry and chassis design in terms the novice can easily understand and apply to any project Hundreds of photos and illustrations illustrate what it takes to design build and tune the ultimate chassis for maximum cornering power on and off the track *Clymer Yamaha Snowmobile Shop Manual 1984-1989* Penton Staff,1990-07-01 With the help of the Clymer Yamaha Snowmobile Repair Manual 1984 1989 in your

toolbox you will be able to maintain service and repair your snowmobile to extend its life for years to come Clymer manuals are very well known for their thorough and comprehensive nature This manual is loaded with step by step procedures along with detailed photography exploded views charts and diagrams to enhance the steps associated with a service or repair task This Clymer manual is organized by subsystem with procedures grouped together for specific topics such as front suspension brake system engine and transmission It includes color wiring diagrams The language used in this Clymer repair manual is targeted toward the novice mechanic but is also very valuable for the experienced mechanic The service manual by Clymer is an authoritative piece of DIY literature and should provide you the confidence you need to get the job done and save money too

**Charter and Ordinances of the City of New Haven** New Haven (Conn.),1898 **Yamaha YFS200 Blaster ATV** Alan Ahlstrand,John Harold Haynes,1999-08-27 Haynes offers the best coverage for cars trucks vans SUVs and motorcycles on the market today Each manual contains easy to follow step by step instructions linked to hundreds of photographs and illustrations Included in every manual troubleshooting section to help identify specific problems tips that give valuable short cuts to make the job easier and eliminate the need for special tools notes cautions and warnings for the home mechanic color spark plug diagnosis and an easy to use index **Clymer Yamaha XV535-1100 Virago 1981-2003: Service, Repair,**

**Maintenance** Ed Scott,2004-05-30 Service repair and maintenance manual **Inquiries in Science Biology Series** Carolina Biological Supply Company,2014-11-01 Inquiries in Science Biology Series Synthesizing Macromolecules Teacher s Manual Second Edition *Cable 83* ,1983 **Honda XL/XR75, XL/XR80 & XL/XR100 1975-1991** Penton Staff,2000-05-24 XL75 1977 1979 XR75 1975 1978 XL80S 1980 1985 XR80 1979 1984 XR80R 1985 1988 1990 1991 XL100S 1979 1985 XR100 1981 1984 XR100R 1985 1991 **Clymer Yamaha YZ125-490, 1985-1990** Penton Staff,1994-03-01

With the help of the Clymer Yamaha YZ125 490 1985 1990 Repair Manual in your toolbox you will be able to maintain service and repair your motorcycle to extend its life for years to come Clymer manuals are very well known for their thorough and comprehensive nature This manual is loaded with step by step procedures along with detailed photography exploded views charts and diagrams to enhance the steps associated with a service or repair task This Clymer manual is organized by subsystem with procedures grouped together for specific topics such as front suspension brake system engine and transmission It includes color wiring diagrams The language used in this Clymer repair manual is targeted toward the novice mechanic but is also very valuable for the experienced mechanic The service manual by Clymer is an authoritative piece of DIY literature and should provide you the confidence you need to get the job done and save money too The specific BMW R1200 models covered by this manual are Yamaha YZ125 1985 1987 Yamaha YZ250 1985 1987 Yamaha YZ490 1985 1990

*Yamaha YZ125 1994-2001* Penton Staff,2000-05-24 YZ125 1994 2001 **Clymer Yamaha YZ125-250; WR250Z, 1988-1993** Penton Staff,1994-01-01 With the help of the Clymer Yamaha YZ125 250 WR250Z 1988 1993 Repair Manual in your toolbox you will be able to maintain service and repair your Yamaha YZ125 250 motorcycle built between 1988 and

1993 or your Yamaha WR250Z motorcycle built between 1991 and 1993 to extend its life for years to come Clymer manuals are very well known for their thorough and comprehensive nature This manual is loaded with step by step procedures along with detailed photography exploded views charts and diagrams to enhance the steps associated with a service or repair task This Clymer manual is organized by subsystem with procedures grouped together for specific topics such as front suspension brake system engine and transmission It includes color wiring diagrams The language used in this Clymer repair manual is targeted toward the novice mechanic but is also very valuable for the experienced mechanic The service manual by Clymer is an authoritative piece of DIY literature and should provide you the confidence you need to get the job done and save money too

**la grande convergenza tecnologia informatica web e nuova** - Mar 10 2023

web nov 28 2018 questa grande divergenza tra nord e sud del mondo è forse la ragione per cui la globalizzazione gode oggi di pessima stampa in realtà quei paesi non si

**la grande convergenza tecnologia informatica web download** - Feb 26 2022

web la comunicazione la grande contrazione la grande narrazione la grande convergenza tecnologia informatica web downloaded from old vulkk com by guest selah tyler

**la grande convergenza tecnologia informatica web e nuova** - Jan 08 2023

web la grande convergenza tecnologia informatica web e nuova globalizzazione è un libro di baldwin richard pubblicato da il mulino nella collana collezione di testi e di studi con

**la grande convergenza by chiara tonini prezi** - Dec 27 2021

web nov 22 2021 la grande convergenza tecnologia informatica web e nuova globalizzazione globalizzazione cenni storici termine utilizzato

*la grande convergenza tecnologia informatica web e nuova* - Apr 11 2023

web acquista online il libro la grande convergenza tecnologia informatica web e nuova globalizzazione di richard baldwin in offerta a prezzi imbattibili su mondadori store

**la nuova grande divergenza stroncature substack** - Jan 28 2022

web apr 24 2023 il libro la grande convergenza tecnologia informatica web e nuova globalizzazione baldwin si propone di esaminare il processo di globalizzazione nel

la grande convergenza tecnologia informatica web e nuova - Jun 13 2023

web la grande convergenza tecnologia informatica web e nuova globalizzazione richard baldwin pubblicazione bologna il mulino 2018 descrizione fisica 325 p ill 22 cm

**la grande convergenza tecnologia informatica web e nuova** - Aug 15 2023

web la grande convergenza tecnologia informatica web e nuova globalizzazione è un libro di richard baldwin pubblicato da il mulino nella collana collezione di testi e di studi

la grande convergenza tecnologia informatica web e - Dec 07 2022

web acquista il bestseller la grande convergenza tecnologia informatica web e nuova globalizzazione di richard baldwin con spedizione gratuita su libreria universitaria

**grande convergenza archivi pandora rivista** - Jul 02 2022

web 06 maggio 2020 6 minuti di luca picotti recensioni la grande convergenza tecnologia informatica web e nuova globalizzazione di richard baldwin richard

**convergenza tecnologica in lessico del xxi secolo treccani** - Sep 04 2022

web convergenza tecnologica locuz sost f l affermazione della tecnologia digitale ha determinato una convergenza tra le differenti forme di comunicazione sul terreno

**la grande convergenza tecnologia informatica web e nuova** - Oct 25 2021

web la grande convergenza tecnologia informatica web e nuova globalizzazione è un libro di richard baldwin pubblicato da il mulino nella collana biblioteca paperbacks acquista

la grande convergenza tecnologia informatica web e nuova - Aug 03 2022

web la grande convergenza tecnologia informatica web e nuova globalizzazione baldwin richard negro nanni amazon com au books

la convergenza digitale brano tesi tesionline - Apr 30 2022

web noi ci occuperemo della convergenza digitale che viene definita come l abilità di usare la stessa connessione ad una piattaforma per fornire più servizi multimediali voce video

**la grande convergenza tecnologia informatica web e nuova** - Feb 09 2023

web alta tecnologia e bassi salari stanno così favorendo la rapida industrializzazione di una manciata di nazioni rimaste finora ai margini dell economia mentre si assiste alla

**la grande convergenza tecnologia informatica web e nuova** - Jul 14 2023

web la grande convergenza tecnologia informatica web e nuova globalizzazione baldwin richard amazon com tr kitap

**la grande convergenza tecnologia informatica web e nuova** - Oct 05 2022

web la grande convergenza tecnologia informatica web e nuova globalizzazione è un libro scritto da richard baldwin pubblicato da il mulino nella collana collezione di testi e di

**convergencia tecnológica wikipedia la enciclopedia libre** - Jun 01 2022

web el concepto de convergencia tecnológica se creó principalmente en el ámbito de las telecomunicaciones para denominar las redes sistemas y servicios que se generan a

[la grande convergenza tecnologia informatica web e nuova](#) - Nov 06 2022

web may 17 2018 la grande convergenza tecnologia informatica web e nuova globalizzazione baldwin richard on amazon com free shipping on qualifying

**pdf download la grande convergenza tecnologia** - Mar 30 2022

web sep 25 2021 tecnologia informatica web e nuova globalizzazione by richard baldwin read pdf kindle epub here bit ly 3m0oeay la vecchia

**la grande convergenza tecnologia informatica web e nuova** - May 12 2023

web sep 30 2018 tecnologia informatica web e nuova globalizzazione di richard baldwin recensione a richard baldwin la grande convergenza tecnologia informatica

**la grande convergenza tecnologia informatica web pdf** - Nov 25 2021

web mar 21 2023 merely said the la grande convergenza tecnologia informatica web is universally compatible following any devices to read il paese diviso vittorio daniele 2019

**au delà du chemin le moins fréquenté le développement** - Feb 09 2023

web vingt ans après avoir écrit le chemin le moins fréquenté scott peck célèbre psychiatre nous apporte de nouvelles clés pour apprendre à vivre reflet de ses évolutions et de ses découvertes tant psychologiques que spirituelles au delà du chemin le moins fréquenté est le livre de la maturité scott peck

[au dela du chemin le moins fra c quenta c le da c f l](#) - Jun 13 2023

web au dela du chemin le moins fra c quenta c le da c but end taking place in harmful downloads rather than enjoying a fine pdf subsequent to a mug of coffee in the afternoon instead they juggled considering some harmful virus inside their computer au dela du chemin le moins fra c quenta c le da c is clear in our digital library an online

[au dela du chemin le moins fra c quenta c le da c henri](#) - Oct 05 2022

web feb 24 2023 quenta c le da c and numerous books collections from fictions to scientific research in any way among them is this au dela du chemin le moins fra c quenta c le da c that can be your partner grand dictionnaire français italien francesco d alberti di villanuova 1826 grand dictionnaire francais italien compose sur les dictionnaires de l

**au delà du chemin le moins fréquenté le développement** - Jul 14 2023

web jun 16 2023 au delà du chemin le moins fréquenté le développement spirituel à l ère de l anxiété by scott peck this au delà du chemin le moins fréquenté le développement spirituel à l ère de l anxiété by scott peck as one of the predominant operating sellers here will thoroughly be accompanied by by the best

**au dela du chemin le moins fra c quenta c le da c** - Aug 15 2023

web au dela du chemin le moins fra c quenta c le da c ordinations de la imperial ciudad de zaragoza concedidas por d carlos segundo y su madre etc 23 dec 1669 sep 28 2020 the british museum catalogue of printed books 1881 1900 apr 16 2022 catalogue librorum impressorum bibliothecae bodleianae in academia oxoniensi jul

*au dela du chemin le moins fra c quenta c le da c* - Nov 06 2022

web may 1 2023 au dela du chemin le moins fra c quenta c le da c 2 3 downloaded from uniport edu ng on may 1 2023 by guest dialogues on metaphysics nicolas malebranche 1980 english and french texts of entretiens sur la m taphysique sur la religion the international english and french dictionary léon smith 1882

au dela du chemin le moins fra c quenta c le da c pdf full - Jan 08 2023

web jun 29 2023 au dela du chemin le moins fra c quenta c le da c pdf recognizing the habit ways to get this books au dela du chemin le moins fra c quenta c le da c pdf is additionally useful you have remained in right site to start getting this info get the au dela du chemin le moins fra c quenta c le da c pdf join that we offer here and

**au dela du chemin le moins fra c quenta c le da c copy** - Sep 04 2022

web inside their computer au dela du chemin le moins fra c quenta c le da c is reachable in our digital library an online entry to it is set as public fittingly you can download it instantly our digital library saves in multipart countries allowing you to acquire the most less latency time to download any of our books behind this one

*lynda lemay c est comme Ça lyrics genius lyrics* - Jan 28 2022

web c est comme Ça lyrics au bout du chemin y a mes souvenirs y a un jardin à entretenir c est d autres doigts qu les miens qui feront les choses je serai pas là pour voir s ouvrir les

**au delà du chemin le moins fréquenté le développement** - Mar 10 2023

web jun 14 2023 au delà du chemin le moins fréquenté le développement spirituel à l ère de l anxiété by scott peck au delà du chemin le moins fréquenté le développement spirituel à l ère de l anxiété by scott peck dcembre 2019 la croix jrusalem le chmage en france 8 7 son plus bas niveau depuis 10 ans bekar la mort a

*deprem mi oldu afad ve kandilli son depremles listesi* 25 - Mar 30 2022

web jun 25 2022 son dakika türkiye gündem haberleri 25 haziran 2022 cumartesi günü meydana gelen son depremles kandilli rasathanesi ile afad son depremles listesi içerisin

*au dela du chemin le moins fra c quenta c le da c copy* - Jun 01 2022

web jul 26 2023 au dela du chemin le moins fra c quenta c le da c 1 4 downloaded from uniport edu ng on july 26 2023 by guest au dela du chemin le moins fra c quenta c le da c when people should go to the book stores search start by shop shelf by shelf it is truly problematic this is why we give the book compilations in this website



**bu dünyanın devranına türküsünün sözleri türkü dostları** - Apr 30 2022

web bu dünyanın devranına aldanma gönül aldanma zilli çanlı kervanına aldanma gönül aldanma yüze güldürür devranı sonra okutur fermanı bulaman derde dermanı aldanma gönül aldanma bilir misin neden nesin

**au dela du chemin le moins fra c quenta c le da c pdf henri** - May 12 2023

web merely said the au dela du chemin le moins fra c quenta c le da c pdf is universally compatible once any devices to read lexique géographique du monde entier joseph victor barbier 1898 nouveau dictionnaire françois italien composé sur les dictionnaires de l académie de france et de la crusca enrichi de tous les termes propres des

*free au dela du chemin le moins fra c quenta c le da c pdf* - Dec 07 2022

web kindly say the au dela du chemin le moins fra c quenta c le da c pdf is universally compatible with any devices to read histoire de la presse française depuis 1789 jusqu à nos jours henri avenel 1900 nouveau dictionnaire françois italien composé sur les dictionnaires de l académie de france et de la crusca enrichi de tous les termes

**deprem mi oldu afad ve kandilli son depremler listesi 28 ocak 2021** - Feb 26 2022

web jan 28 2021 son dakika türkiye gündem haberleri kandilli ve afad son depremler listesi 28 ocak 2021 perşembe günü meydana gelen depremlerin şiddetleri ile ilgili son b

**au dela du chemin le moins fra c quenta c le da c ftp** - Jul 02 2022

web au dela du chemin le moins fra c quenta c le da c bulletin de la société académique de laon british and foreign state papers key to the exercises in the new method of learning to read write and speak a language in six months histoire de gigny au département du jura de sa noble et royale abbaye et de saint taurin son patron

au delà de ce montant traduction anglaise linguee - Dec 27 2021

web de très nombreux exemples de phrases traduites contenant au delà de ce montant dictionnaire anglais français et moteur de recherche de traductions anglaises au delà de ce montant traduction anglaise linguee

**au dela du chemin le moins fra c quenta c le da c** - Apr 11 2023

web au dela du chemin le moins fra c quenta c le da c le chemin des âmes dans l éternité ou les 24 coutumes de l air nov 28 2022 découvrez le quatrième volume captivant de la série originale traduite le chemin des Âmes dans l Éternité intitulé l Âme vit après la mort du corps plongez dans les profondeurs mystiques alors que

*au dela du chemin le moins fra c quenta c le da c pdf pdf* - Aug 03 2022

web le moins fra c quenta c le da c pdf but end stirring in harmful downloads rather than enjoying a fine book in the manner of a cup of coffee in the afternoon instead they juggled subsequent to some harmful virus inside their computer au dela du chemin le moins fra c quenta c le da c pdf is simple in our

ice teknoloji bugünün teknolojisi yarının Çözümleri - Aug 23 2023

ice bilişim teknolojileri a Ş e dönüşüm İmzalama ve doğrulama teknolojileri e dönüşüm platform ve bulut servislerinin de aralarında bulunduğu konularda faaliyetlerini sürdürmektedir gelir İdaresi başkanlığı tarafından Özel entegratör lisansına sahiptir

**ice teknoloji** - Sep 24 2023

ice app 001 1 0 8660 1535 0216 589 89 02 destek iceteknoloji com tr destek sistemi için tıklayınız

*ice definition structure properties freezing point facts* - Jan 16 2023

oct 18 2023 ice solid substance produced by the freezing of water vapour or liquid water at temperatures below 0 c 32 f water vapour develops into frost at ground level and snowflakes each of which consists of a single ice crystal in clouds

**İzmir vikipedi** - May 20 2023

İzmir türkiye de ege bölgesi nde yer alan şehir ve ülkenin 81 ilinden etrafı aydın balıkesir manisa illeri ege denizi ve ege adaları ile çevrilidir İzmir uzun ve dar bir körfezin başında yer almaktadır İzmir limanı türkiye nin en büyük yedinci limanıdır İzmir in batısında denizi plajları ve termal merkezleriyle urla yarımadası uzanır

sea level rise west antarctic ice shelf melt unavoidable - Apr 19 2023

oct 23 2023 increased melting of west antarctica s ice shelves is unavoidable in the coming decades a new study has warned these floating tongues of ice extend from the main ice sheet into the ocean and

*icenet telekom hizmetleri air fiber uydu İnternet* - Jun 21 2023

icenet telekom wifi İnternet bursa gaziantep nızip Şanlıurfa ve çok yakında yeni lokasyonlarımız ile size hizmet vermeye devam ediyor icenet telekom hizmetleri a Ş olarak uydu haberleşme lisansımız ile tüm türkiye ve yurtdışında da uydu internet hizmeti vererek altyapısı olmayan yerlere hizmet götürmeye devam etmektedir

İce soğutma san tic ltd Şti İce soğutma gazları - Jul 22 2023

İce soğutma gazları soğutma grupları ve İce grup Şirket faaliyetleri r134 r404 r410 soğutucu gaz Üreticisi

*scientists discover hidden landscape frozen in time under antarctic ice* - Dec 15 2022

1 day ago the undulating ice surface is a ghost image that drapes gently over these spikier features he added when combined with radio echo sounding data an image emerged of a river carved

ice wikipedia - Feb 17 2023

ice is water that is frozen into a solid state typically forming at or below temperatures of 0 c 32 f or 273 15 k 4 as a naturally occurring crystalline inorganic solid with an ordered structure ice is considered to be a mineral

**climate change rapid melting of west antarctica ice now cnn** - Mar 18 2023

2 days ago rapid melting of west antarctica s ice shelves may now be unavoidable as human caused global warming accelerates with potentially devastating implications for sea level rise around the world

## Whispering the Secrets of Language: An Mental Journey through **Yz125 04 Engine Diagram**

In a digitally-driven world wherever monitors reign great and quick interaction drowns out the subtleties of language, the profound strategies and psychological subtleties hidden within words usually get unheard. However, situated within the pages of **Yz125 04 Engine Diagram** a interesting fictional prize pulsating with raw feelings, lies a fantastic journey waiting to be undertaken. Composed by a skilled wordsmith, that marvelous opus attracts viewers on an introspective journey, gently unraveling the veiled truths and profound influence resonating within the cloth of each and every word. Within the mental depths of this emotional review, we shall embark upon a genuine exploration of the book is core styles, dissect their captivating writing design, and yield to the strong resonance it evokes heavy within the recesses of readers hearts.

[https://offsite.creighton.edu/files/virtual-library/Documents/lesson\\_41\\_practice\\_a\\_geometry\\_answers.pdf](https://offsite.creighton.edu/files/virtual-library/Documents/lesson_41_practice_a_geometry_answers.pdf)

[https://offsite.creighton.edu/files/virtual-library/Documents/les\\_miserables\\_new\\_york\\_2022.pdf](https://offsite.creighton.edu/files/virtual-library/Documents/les_miserables_new_york_2022.pdf)

[https://offsite.creighton.edu/files/virtual-library/Documents/level\\_c\\_reading\\_books.pdf](https://offsite.creighton.edu/files/virtual-library/Documents/level_c_reading_books.pdf)

### **Table of Contents Yz125 04 Engine Diagram**

1. Understanding the eBook Yz125 04 Engine Diagram
  - The Rise of Digital Reading Yz125 04 Engine Diagram
  - Advantages of eBooks Over Traditional Books
2. Identifying Yz125 04 Engine Diagram
  - Exploring Different Genres
  - Considering Fiction vs. Non-Fiction
  - Determining Your Reading Goals
3. Choosing the Right eBook Platform

- Popular eBook Platforms
- Features to Look for in an Yz125 04 Engine Diagram
- User-Friendly Interface
- 4. Exploring eBook Recommendations from Yz125 04 Engine Diagram
  - Personalized Recommendations
  - Yz125 04 Engine Diagram User Reviews and Ratings
  - Yz125 04 Engine Diagram and Bestseller Lists
- 5. Accessing Yz125 04 Engine Diagram Free and Paid eBooks
  - Yz125 04 Engine Diagram Public Domain eBooks
  - Yz125 04 Engine Diagram eBook Subscription Services
  - Yz125 04 Engine Diagram Budget-Friendly Options
- 6. Navigating Yz125 04 Engine Diagram eBook Formats
  - ePub, PDF, MOBI, and More
  - Yz125 04 Engine Diagram Compatibility with Devices
  - Yz125 04 Engine Diagram Enhanced eBook Features
- 7. Enhancing Your Reading Experience
  - Adjustable Fonts and Text Sizes of Yz125 04 Engine Diagram
  - Highlighting and Note-Taking Yz125 04 Engine Diagram
  - Interactive Elements Yz125 04 Engine Diagram
- 8. Staying Engaged with Yz125 04 Engine Diagram
  - Joining Online Reading Communities
  - Participating in Virtual Book Clubs
  - Following Authors and Publishers Yz125 04 Engine Diagram
- 9. Balancing eBooks and Physical Books Yz125 04 Engine Diagram
  - Benefits of a Digital Library
  - Creating a Diverse Reading Collection Yz125 04 Engine Diagram
- 10. Overcoming Reading Challenges
  - Dealing with Digital Eye Strain
  - Minimizing Distractions
  - Managing Screen Time

11. Cultivating a Reading Routine Yz125 04 Engine Diagram
  - Setting Reading Goals Yz125 04 Engine Diagram
  - Carving Out Dedicated Reading Time
12. Sourcing Reliable Information of Yz125 04 Engine Diagram
  - Fact-Checking eBook Content of Yz125 04 Engine Diagram
  - Distinguishing Credible Sources
13. Promoting Lifelong Learning
  - Utilizing eBooks for Skill Development
  - Exploring Educational eBooks
14. Embracing eBook Trends
  - Integration of Multimedia Elements
  - Interactive and Gamified eBooks

### **Yz125 04 Engine Diagram Introduction**

In the digital age, access to information has become easier than ever before. The ability to download Yz125 04 Engine Diagram has revolutionized the way we consume written content. Whether you are a student looking for course material, an avid reader searching for your next favorite book, or a professional seeking research papers, the option to download Yz125 04 Engine Diagram has opened up a world of possibilities. Downloading Yz125 04 Engine Diagram provides numerous advantages over physical copies of books and documents. Firstly, it is incredibly convenient. Gone are the days of carrying around heavy textbooks or bulky folders filled with papers. With the click of a button, you can gain immediate access to valuable resources on any device. This convenience allows for efficient studying, researching, and reading on the go. Moreover, the cost-effective nature of downloading Yz125 04 Engine Diagram has democratized knowledge. Traditional books and academic journals can be expensive, making it difficult for individuals with limited financial resources to access information. By offering free PDF downloads, publishers and authors are enabling a wider audience to benefit from their work. This inclusivity promotes equal opportunities for learning and personal growth. There are numerous websites and platforms where individuals can download Yz125 04 Engine Diagram. These websites range from academic databases offering research papers and journals to online libraries with an expansive collection of books from various genres. Many authors and publishers also upload their work to specific websites, granting readers access to their content without any charge. These platforms not only provide access to existing literature but also serve as an excellent platform for undiscovered authors to share their work with the world. However, it is essential to be cautious while downloading Yz125 04

Engine Diagram. Some websites may offer pirated or illegally obtained copies of copyrighted material. Engaging in such activities not only violates copyright laws but also undermines the efforts of authors, publishers, and researchers. To ensure ethical downloading, it is advisable to utilize reputable websites that prioritize the legal distribution of content. When downloading Yz125 04 Engine Diagram, users should also consider the potential security risks associated with online platforms. Malicious actors may exploit vulnerabilities in unprotected websites to distribute malware or steal personal information. To protect themselves, individuals should ensure their devices have reliable antivirus software installed and validate the legitimacy of the websites they are downloading from. In conclusion, the ability to download Yz125 04 Engine Diagram has transformed the way we access information. With the convenience, cost-effectiveness, and accessibility it offers, free PDF downloads have become a popular choice for students, researchers, and book lovers worldwide. However, it is crucial to engage in ethical downloading practices and prioritize personal security when utilizing online platforms. By doing so, individuals can make the most of the vast array of free PDF resources available and embark on a journey of continuous learning and intellectual growth.

### **FAQs About Yz125 04 Engine Diagram Books**

How do I know which eBook platform is the best for me? Finding the best eBook platform depends on your reading preferences and device compatibility. Research different platforms, read user reviews, and explore their features before making a choice. Are free eBooks of good quality? Yes, many reputable platforms offer high-quality free eBooks, including classics and public domain works. However, make sure to verify the source to ensure the eBook credibility. Can I read eBooks without an eReader? Absolutely! Most eBook platforms offer webbased readers or mobile apps that allow you to read eBooks on your computer, tablet, or smartphone. How do I avoid digital eye strain while reading eBooks? To prevent digital eye strain, take regular breaks, adjust the font size and background color, and ensure proper lighting while reading eBooks. What the advantage of interactive eBooks? Interactive eBooks incorporate multimedia elements, quizzes, and activities, enhancing the reader engagement and providing a more immersive learning experience. Yz125 04 Engine Diagram is one of the best book in our library for free trial. We provide copy of Yz125 04 Engine Diagram in digital format, so the resources that you find are reliable. There are also many Ebooks of related with Yz125 04 Engine Diagram. Where to download Yz125 04 Engine Diagram online for free? Are you looking for Yz125 04 Engine Diagram PDF? This is definitely going to save you time and cash in something you should think about. If you trying to find then search around for online. Without a doubt there are numerous these available and many of them have the freedom. However without doubt you receive whatever you purchase. An alternate way to get ideas is always to check another Yz125 04 Engine Diagram. This method for see exactly

what may be included and adopt these ideas to your book. This site will almost certainly help you save time and effort, money and stress. If you are looking for free books then you really should consider finding to assist you try this. Several of Yz125 04 Engine Diagram are for sale to free while some are payable. If you arent sure if the books you would like to download works with for usage along with your computer, it is possible to download free trials. The free guides make it easy for someone to free access online library for download books to your device. You can get free download on free trial for lots of books categories. Our library is the biggest of these that have literally hundreds of thousands of different products categories represented. You will also see that there are specific sites catered to different product types or categories, brands or niches related with Yz125 04 Engine Diagram. So depending on what exactly you are searching, you will be able to choose e books to suit your own need. Need to access completely for Campbell Biology Seventh Edition book? Access Ebook without any digging. And by having access to our ebook online or by storing it on your computer, you have convenient answers with Yz125 04 Engine Diagram To get started finding Yz125 04 Engine Diagram, you are right to find our website which has a comprehensive collection of books online. Our library is the biggest of these that have literally hundreds of thousands of different products represented. You will also see that there are specific sites catered to different categories or niches related with Yz125 04 Engine Diagram So depending on what exactly you are searching, you will be able to choose ebook to suit your own need. Thank you for reading Yz125 04 Engine Diagram. Maybe you have knowledge that, people have search numerous times for their favorite readings like this Yz125 04 Engine Diagram, but end up in harmful downloads. Rather than reading a good book with a cup of coffee in the afternoon, instead they juggled with some harmful bugs inside their laptop. Yz125 04 Engine Diagram is available in our book collection an online access to it is set as public so you can download it instantly. Our digital library spans in multiple locations, allowing you to get the most less latency time to download any of our books like this one. Merely said, Yz125 04 Engine Diagram is universally compatible with any devices to read.

### **Find Yz125 04 Engine Diagram :**

*lesson 4.1 practice a geometry answers*

**les miserables new york 2022**

**level c reading books**

[learn italian grammar](#)

[leadership is language summary](#)

**letter notes for songs**

**letter of recommendation for national honor society from employer**

**learning through art monohybrid cross**

*lemmy kilmister house*

**lauren faber love it or list it**

**learning biblical greek for beginners**

**lanterne rouge award**

les liaisons dangereuses

lease non renewal letter florida

letter of recommendation from employer for masters degree pdf

**Yz125 04 Engine Diagram :**