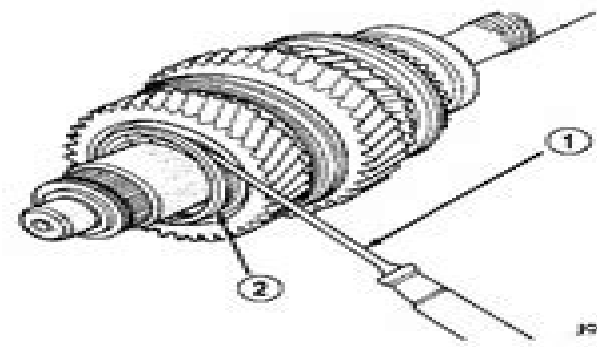


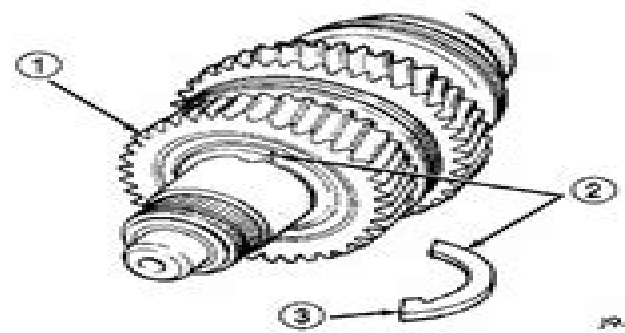
J9421-203



J9421-23



661766/7



J9421-24

Nv3550 Service Manual

Gottlieb (D.) & Company, Chicago



Nv3550 Service Manual

Service Manual ,1973 Service Manual ,1972 *American Service Manual* Champion Electric Corporation,1946
Dodge & Plymouth Vans Automotive Repair Manual Olaf Wolff,John Harold Haynes,1991 V-71 Series Service Manual
Detroit Diesel Corporation,1999 **Nissan** Nissan (Tokyo), *Technical Service Manual* Joy Manufacturing Company,
Chilton Chrysler Service Manual ,2004 **General Motors V-drive Transmission Service Manual** General Motors
Corporation. Allison Division,1970 Instruction & Service Manual Gottlieb (D.) & Company, Chicago,1964 Series 400
Service Manual Computertek,1970* *V-71 Service Manual* Detroit Diesel Corporation,1989 Service Manual [for]
R-1234-51812 Oshkosh Truck Corporation,196? Technical Service Manual, Metropolitan American Motors Corporation.
Automotive Technical Service,19?? **Nissan model B13 and N14 series service manual** ,1990 **Series 53 Service**
Manual Detroit Diesel Corporation,1990 *Nissan Service Manual* , Service Manual, Series 50 Thru 65 General Motors
Corporation. GMC Truck & Coach Division,19?? *VE Series Valiant Service Manual* Chrysler Australia. Service
Division,1967 **Service Manual [for] Model R-1644-52812** Oshkosh Truck Corporation,196?

lotto liebe fernsehserien de - Nov 24 2021

web mar 25 2016 lotto liebe d 2001 92 min jetzt ansehen komödie bild sixx der allein erziehenden mutter marie käme der
gewinn des lotto jackpots gerade recht mit mühe

let s play deponia 004 die liebe lotti youtube - Jul 01 2022

web und so geht es weiter in kuvaq ob wir die goal retten können aber dabei müssen wir erst einmal am lotti vorbei und wir
müssen toni ein paar dinge aus dem l

eliza on twitter - Feb 08 2023

web jun 6 2021 in this conversation verified account protected tweets suggested users

let s play deponia 007 deutsch hd blind die liebe lotti - Dec 06 2022

web willkommen zu let s play deponia deponia ein adventure von daedalic entertainment 2012in diesem let s play werden wir
rufus durch seine eigene manchmal a

lotti lotti liebt instagram photos and videos - Feb 25 2022

web 275 followers 295 following 41 posts see instagram photos and videos from lotti lotti liebt

liebe lust lotti liebesroman amazon com tr - May 11 2023

web arama yapmak istediğiniz kategoriye seçin

liebe lotti eine kreative zeitreise mit liebevoll gestalteten - Jul 13 2023

web jul 1 2012 *liebe lotti eine kreative zeitreise mit liebevoll gestalteten textilien accessoires gutwill carola on amazon com free shipping on qualifying offers*

eliza on twitter - Oct 24 2021

web jun 7 2021 *gedankenstich gute frage mein partner und ich beide neuerdings homeoffice ziehen in eine neue große wohnung schließlich brauchen wir ein extra*

lotto liebe filmkritik film tv spielfilm - Dec 26 2021

web lotto liebe der film im kino inhalt bilder kritik trailer kinoprogramm sowie kinostart termine und bewertung bei tv spielfilm de

liebe türkçe Çeviri bab la almanca türkçe sözlük - Jan 07 2023

web Ücretsiz almanca türkçe sözlükte liebe in karşılığı ve başka pek çok türkçe çeviri

liebe lotti luiza perlstein guttman 1880 1944 genealogy - Sep 03 2022

web genealogy for liebe lotti luiza perlstein guttman 1880 1944 family tree on geni with over 250 million profiles of ancestors and living relatives

emmanuel s email bde liebe lotti tugendhaft ☐ ☐ - Oct 04 2022

web may 8 2023 *it is with utmost sadness we announce the passing of our dear mother liebe lotti tugendhaft ☐ ☐ mother of leon tugendhaft rosie bick ashley tugendhaft the*

was ist liebe by lotti huber mozaart - May 31 2022

web listen to was ist liebe track by lotti huber for free clip lyrics and information about lotti huber playlists based on was ist liebe

liebe auf türkisch übersetzen deutsch tuerkisch net - Apr 10 2023

web deutsch tuerkisch net liebe auf türkisch übersetzen liebe deutsch türkische übersetzung liebe in türkisch

liebe lotti twitter - Apr 29 2022

web liebe lotti adlı kişiden gelen son tweet ler

liebe lotti etsy - Jun 12 2023

web check out our liebe lotti selection for the very best in unique or custom handmade pieces from our learning school shops
liebe lotte - Jan 27 2022

web trying to make the world a more beautiful place one frame at a time more beautiful place one frame at a time

liebe lotti by carola gutwill help discoveram - Mar 09 2023

web liebe lotti ist die erste veröffentlichung von carola gutwill im acufactum verlag auf den spuren ihrer großmutter findet

die autorin unerschöpflich viele inspirationen für
[wehrlose liebe by helmut lotti lyrics genius](#) - Aug 02 2022

web wehrlose liebe by helmut lotti lyrics clarinet concerto by mozart hab dich auf meinen thron gehob n dich als königin
auserkor n gab für dich mein leb n doch

[liebe lotti 2023](#) - Mar 29 2022

web liebe lotti clinical cases in scalp disorders jun 02 2020 this book identifies the broad scope of dermatological conditions
in patients with scalp disorders scalp disorders can

[wehrlose liebe by helmut lotti mozaart](#) - Sep 22 2021

web listen to wehrlose liebe track by helmut lotti for free clip lyrics and information about helmut lotti playlists based on
wehrlose liebe

liebe translate german to english cambridge dictionary - Nov 05 2022

web liebe translate love love love love love love love fondness learn more in the cambridge german english dictionary

liebe lotti briefe an meine geheimnisvolle großmutter eine - Aug 14 2023

web liebe lotti briefe an meine geheimnisvolle großmutter eine kreative zeitreise mit liebevoll gestalteten textilien
accessoires von carola gutwill carola gutwill isbn

[a bidirectional sinusoidal high frequency inverter design](#) - Dec 27 2021

web a bidirectional sinusoidal high frequency inverter design pdf a bidirectional sinusoidal high frequency inverter design
kostas kalaitzakis academia edu academia edu no longer supports internet explorer

a bidirectional sinusoidal high frequency inverter design - May 12 2023

web a bidirectional sinusoidal high frequency inverter design abstract a new method for the design of a bidirectional inverter
based on the sinusoidal pulse width modulation principle and the use of a low cost and lightweight ferrite core transformer is
presented

free a bidirectional sinusoidal high frequency inverter design - Jun 01 2022

web this book analyzes multi mhz high frequency resonant dc dc power converters with operating frequencies ranging from
several mhz to tens of mhz in detail aiming to support researchers and engineers with a focus on multi mhz high frequency
converters the inverter stage rectifier stage matching network stage are analyzed in detail

a bidirectional sinusoidal high frequency inverter design - Apr 30 2022

web a bidirectional sinusoidal high frequency inverter design 1 a bidirectional sinusoidal high frequency inverter design as
recognized adventure as skillfully as experience about lesson amusement as well as settlement can be gotten by just
checking out a book a bidirectional sinusoidal high frequency inverter design with it is not

a bidirectional sinusoidal high frequency inverter design yumpu - Oct 05 2022

web a bidirectional sinusoidal high frequency inverter read more about output voltage inverter input frequency and transformer

a bidirectional sinusoidal high frequency inverter design - Feb 26 2022

web a bidirectional sinusoidal high frequency inverter design e koutroulis j chatzakis k kalaitzakis and n c voulgaris abstract a new method for the design of a

detailed block diagram of proposed inverter researchgate - Feb 09 2023

web a new method for the design of a bidirectional inverter based on the sinusoidal pulse width modulation principle and the use of a low cost and lightweight ferrite core transformer is presented

design analysis and performance of a bidirectional solar inverter - Sep 04 2022

web jan 1 2018 however it should be noted that the use complex controllers with differentiation in the control structure on both the operational modes inverter and rectifier of the bidirectional solar inverter increases the data processing time and as a consequence undermines the quality of the dynamic response from the system

a bidirectional sinusoidal high frequency inverter design yumpu - Dec 07 2022

web a bidirectional sinusoidal high frequency inverter design en english deutsch français español portugués italiano román nederlands latina dansk svenska norsk magyar bahasa indonesia türkçe suomi latvian lithuanian česk a bidirectional sinusoidal high frequency inverter design a bidirectional sinusoidal high

800va pure sine wave inverter s reference design rev a - Apr 11 2023

web slaa602a june2013 revised august 2017 800vapuresinewaveinverter sreferencedesign sanjaydixit ambreeshtripathi vikashola andankur verma abstract this application notes describes the design principles and the circuit operation of the 800va pure sine wave inverter

a bidirectional sinusoidal high frequency inverter design - Mar 10 2023

web a bidirectional sinusoidal high frequency inverter design is available in our book collection an online access to it is set as public so you can download it instantly

a new single staged bi directional high frequency link inverter design - Nov 06 2022

web nov 12 2006 request pdf a new single staged bi directional high frequency link inverter design this paper presents a new bi directional inverter which can be used for both grid connection and stand alone

a bidirectional sinusoidal high frequency inverter design tuc - Jul 14 2023

web a new method for the design of a bidirectional inverter based on the sinusoidal pulse width modulation principle and the use of a low cost and lightweight ferrite core transformer is presented the inverter is designed for either ohmic or inductive

loads

a new single staged bi directional high frequency link inverter design - Jan 08 2023

web oct 12 2006 to increase the efficiency and reliability of renewable energy source inverter a single staged inverter topology is proposed which utilizes single power processing stage to output rectified sinusoid voltage another low frequency unfolding circuit inverts it into sinusoid voltage

inverter using powerbank as power source with pure sine wave - Aug 03 2022

web jan 1 2018 a new method for the design of a bidirectional inverter based on the sinusoidal pulse width modulation principle and the use of a low cost and lightweight ferrite core transformer is presented

voltage fed full bridge dc dc dc ac converter high freq inverter - Jul 02 2022

web high frequency inverter technology the full bridge s1 s4 generates a high frequency square wave signal with 40 50 khz which is transmitted via the hf transformer tr1 the bridge rectifiers d1 d4 convert the square wave signal back to dc voltage and store it in the intermediate circuit l1 c2

[a bidirectional sinusoidal high frequency inverter design](#) - Mar 30 2022

web a bidirectional sinusoidal high frequency inverter design author s e koutroulis j chatzakis k kalaitzakis n c voulgaris doi 10 1049 ip epa 20010351 for access to this article please select a purchase option

a bidirectional sinusoidal high frequency inverter design - Jan 28 2022

web bidirectional sinusoidal high frequency inverter design below entrepreneurship in power semiconductor devices power electronics and electric machines and drive systems krishnan ramu 2020 12 07 entrepreneurship in power semiconductor devices power electronics and electric machines and drive systems introduces the basics of

a bidirectional sinusoidal high frequency inverter design - Jun 13 2023

web a new method for the design of a bidirectional inverter based on the sinusoidal pulse width modulation principle and the use of a low cost and lightweight ferrite core transformer is presented the inverter is designed for either ohmic or inductive loads

a bidirectional sinusoidal high frequency inverter design - Aug 15 2023

web aug 1 2001 a new method for the design of a bidirectional inverter based on the sinusoidal pulse width modulation principle and the use of a low cost and lightweight ferrite core transformer is

funny goodbye poems poem searcher - Feb 09 2023

web 48 funny goodbye poems ranked in order of popularity and relevancy at poemsearcher com find thousands of poems categorized into thousands of categories

80 funny farewell quotes messages for colleagues hello - Mar 30 2022

web may 5 2022 great to hear that you re going away i can t wait to hear that you have been crowned as the gossip queen at the workplace goodbye without a fun loving co worker like you our after work drinks will turn sober quiet and slightly more sophisticated goodbye buddy we will miss you

[farewell poems for colleagues goodbye poems for co workers](#) - Oct 05 2022

web saying goodbye to these trusted colleagues is never easy though the gift of words can help so when you are forced to say adieu to a co worker choose one of these poems to send them off with and let them know that their friendship and companionship in

farewell poems for colleagues goodbye poems for co workers - Jun 13 2023

web farewell poems for colleagues say goodbye to your co workers by writing a touching poem on a greeting card or in a letter use inspirational quotes along with the sweet and funny memories of working together to stir up a storm of emotions post your poem on your co worker s facebook too

[30 goodbye poems for colleagues wonderfullist](#) - Jun 01 2022

web nov 11 2018 oh i will miss you so much oh i will miss the conversations i have will miss being with you my friend our friendship is so very true and there was not a word f pretend since you are leaving today i want to wish you happiness all along your way may best of life comes to you coz good people like you are one in few

21 messages quotes and poems to write in a leaving card for a metro - Dec 07 2022

web jul 1 2017 1 sorry you re leaving may your future be bright and your life full of good things 2 i ve learned a lot working with you these past years i know you ll be successful in your new position

60 simple caring and witty leaving messages for a coworker - Nov 06 2022

web ranging in tone from thoughtful to witty to all out hilarious we have written leaving messages for all situations take a look best leaving messages for coworkers

25 funny poems to make you laugh parade - Dec 27 2021

web jul 17 2023 given how tough life can be sometimes we could all use a reason to smile maybe work is stressful or you find recent current events frustrating family drama can certainly affect

25 best goodbye poems for family friends coworkers - Mar 10 2023

web may 30 2022 goodbye poems for a friend goodbye poems for a family member goodbye poems for a colleague funny goodbye poems goodbye poems for a funeral or after a death regardless of the reasons you may need to bid a friend or family member farewell you naturally want to do so in a way that captures your true feelings

[70 elegant funny poems about work colleagues](#) - May 12 2023

web apr 27 2020 details about leaving work funny alternative sarcastic funny farewell quotes goodbye quotesgram funny

goodbye poems a thank you poem my ode to teachers leaving for a new job poem goodbye quotes leaving a job quotesgram funny poems can be used for many every other purposes

23 funny poems that will perk up your reader s digest - Jan 28 2022

web jun 10 2020 my shadow by robert louis stevenson i have a little shadow that goes in and out with me and what can be the use of him is more than i can see he is very very like me from the heels up to the

75 funny farewell messages and quotes wishesmsg - Aug 15 2023

web feb 12 2023 now leave funny leaving messages for work colleagues make sure yall take care of my memories until i return to retrieve them anyway goodbye everyone don t miss me much i thought you were all gonna cry for me to stay i am a little sad now i hope the new worker laughs at your boring bad jokes goodbye everyone stay well

funny goodbye poems funny poems for life - Jul 02 2022

web you almost had me i wanted you the way you stuck to me like super glue i was feeling you but i knew i could never have you but the way you looked at me the way my body pleads we can never be because i m too old and your only thirteen poem details by brittany reynolds categories funny life pest control goodbye

funny farewell poems allbestmessages - Apr 11 2023

web funny farewell poems if you need funny farewell poems then your search ends here at allbestmessages co allbestmessages is all about funny farewell poems just read the full collection of funny farewell poems below keep visiting our site because we are updating funny farewell poems daily on our site funny farewell poems

50 perfect farewell messages to coworkers leaving the company - Feb 26 2022

web the sweet memories of working with a coworker like you will be hard to forget farewell mate take care of yourself in your new job i wish i could be your coworker there too the people you re going to work with are in for a

15 funny retirement poems for a new retiree - Jan 08 2023

web feb 22 2022 1 i love my job by dr seuss i love my job i love the pay i love it more and more each day i love my boss he she is the best i love his boss and all the rest i love my office and its location i hate to have to go on vacation i love my furniture drab and gray and the paper that piles up every day i love my chair in my padded cell

15 work poems heartfelt poems about work family friend poems - Apr 30 2022

web a boss is someone who says the nice things to cheer us up and the bad things to settle us down a boss is a janitor who cleans up messes and sweeps them under the rug no just kidding a boss is a coach who stands behind their staff and says we are a team and there is no i in team read complete poem stories 1

poems for a coworker s departure academy of american poets - Sep 04 2022

web mar 2 2006 poems for a coworker s departure whether by firing pink slipping or skipping off to greener pastures the

departure of a coworker can leave the rest of an office bereft and feeling abandoned

poems for farewells and goodbyes by the editors poetry foundation - Aug 03 2022

web jul 5 2012 george eastman house collection some farewells are mundane others are momentous whether we say goodbye to lovers family members friends or old habits temporarily or forever these poems capture those complicated emotions sneering sour and scornful farewells

funny farewell poems poem searcher - Jul 14 2023

web 48 funny farewell poems ranked in order of popularity and relevancy at poemsearcher com find thousands of poems categorized into thousands of categories

This is likewise one of the factors by obtaining the soft documents of this **Nv3550 Service Manual** by online. You might not require more get older to spend to go to the ebook launch as capably as search for them. In some cases, you likewise attain not discover the statement Nv3550 Service Manual that you are looking for. It will very squander the time.

However below, gone you visit this web page, it will be thus completely easy to acquire as skillfully as download lead Nv3550 Service Manual

It will not take many get older as we tell before. You can pull off it even though accomplishment something else at home and even in your workplace. thus easy! So, are you question? Just exercise just what we manage to pay for below as competently as evaluation **Nv3550 Service Manual** what you gone to read!

https://offsite.creighton.edu/files/virtual-library/Documents/jesus_heals_the_paralysed_man_bible_verse.pdf

https://offsite.creighton.edu/files/virtual-library/Documents/johnny_appleseed_pdf.pdf

https://offsite.creighton.edu/files/virtual-library/Documents/jewish_traditional_music.pdf

Table of Contents Nv3550 Service Manual

1. Understanding the eBook Nv3550 Service Manual
 - The Rise of Digital Reading Nv3550 Service Manual
 - Advantages of eBooks Over Traditional Books
2. Identifying Nv3550 Service Manual
 - Exploring Different Genres
 - Considering Fiction vs. Non-Fiction
 - Determining Your Reading Goals

3. Choosing the Right eBook Platform
 - Popular eBook Platforms
 - Features to Look for in an Nv3550 Service Manual
 - User-Friendly Interface
4. Exploring eBook Recommendations from Nv3550 Service Manual
 - Personalized Recommendations
 - Nv3550 Service Manual User Reviews and Ratings
 - Nv3550 Service Manual and Bestseller Lists
5. Accessing Nv3550 Service Manual Free and Paid eBooks
 - Nv3550 Service Manual Public Domain eBooks
 - Nv3550 Service Manual eBook Subscription Services
 - Nv3550 Service Manual Budget-Friendly Options
6. Navigating Nv3550 Service Manual eBook Formats
 - ePub, PDF, MOBI, and More
 - Nv3550 Service Manual Compatibility with Devices
 - Nv3550 Service Manual Enhanced eBook Features
7. Enhancing Your Reading Experience
 - Adjustable Fonts and Text Sizes of Nv3550 Service Manual
 - Highlighting and Note-Taking Nv3550 Service Manual
 - Interactive Elements Nv3550 Service Manual
8. Staying Engaged with Nv3550 Service Manual
 - Joining Online Reading Communities
 - Participating in Virtual Book Clubs
 - Following Authors and Publishers Nv3550 Service Manual
9. Balancing eBooks and Physical Books Nv3550 Service Manual
 - Benefits of a Digital Library
 - Creating a Diverse Reading Collection Nv3550 Service Manual
10. Overcoming Reading Challenges
 - Dealing with Digital Eye Strain
 - Minimizing Distractions

- Managing Screen Time
- 11. Cultivating a Reading Routine Nv3550 Service Manual
 - Setting Reading Goals Nv3550 Service Manual
 - Carving Out Dedicated Reading Time
- 12. Sourcing Reliable Information of Nv3550 Service Manual
 - Fact-Checking eBook Content of Nv3550 Service Manual
 - Distinguishing Credible Sources
- 13. Promoting Lifelong Learning
 - Utilizing eBooks for Skill Development
 - Exploring Educational eBooks
- 14. Embracing eBook Trends
 - Integration of Multimedia Elements
 - Interactive and Gamified eBooks

Nv3550 Service Manual Introduction

Free PDF Books and Manuals for Download: Unlocking Knowledge at Your Fingertips In today's fast-paced digital age, obtaining valuable knowledge has become easier than ever. Thanks to the internet, a vast array of books and manuals are now available for free download in PDF format. Whether you are a student, professional, or simply an avid reader, this treasure trove of downloadable resources offers a wealth of information, conveniently accessible anytime, anywhere. The advent of online libraries and platforms dedicated to sharing knowledge has revolutionized the way we consume information. No longer confined to physical libraries or bookstores, readers can now access an extensive collection of digital books and manuals with just a few clicks. These resources, available in PDF, Microsoft Word, and PowerPoint formats, cater to a wide range of interests, including literature, technology, science, history, and much more. One notable platform where you can explore and download free Nv3550 Service Manual PDF books and manuals is the internet's largest free library. Hosted online, this catalog compiles a vast assortment of documents, making it a veritable goldmine of knowledge. With its easy-to-use website interface and customizable PDF generator, this platform offers a user-friendly experience, allowing individuals to effortlessly navigate and access the information they seek. The availability of free PDF books and manuals on this platform demonstrates its commitment to democratizing education and empowering individuals with the tools needed to succeed in their chosen fields. It allows anyone, regardless of their background or financial limitations, to expand their horizons and gain insights from experts in various disciplines. One of the most significant advantages of downloading PDF books and

manuals lies in their portability. Unlike physical copies, digital books can be stored and carried on a single device, such as a tablet or smartphone, saving valuable space and weight. This convenience makes it possible for readers to have their entire library at their fingertips, whether they are commuting, traveling, or simply enjoying a lazy afternoon at home. Additionally, digital files are easily searchable, enabling readers to locate specific information within seconds. With a few keystrokes, users can search for keywords, topics, or phrases, making research and finding relevant information a breeze. This efficiency saves time and effort, streamlining the learning process and allowing individuals to focus on extracting the information they need. Furthermore, the availability of free PDF books and manuals fosters a culture of continuous learning. By removing financial barriers, more people can access educational resources and pursue lifelong learning, contributing to personal growth and professional development. This democratization of knowledge promotes intellectual curiosity and empowers individuals to become lifelong learners, promoting progress and innovation in various fields. It is worth noting that while accessing free Nv3550 Service Manual PDF books and manuals is convenient and cost-effective, it is vital to respect copyright laws and intellectual property rights. Platforms offering free downloads often operate within legal boundaries, ensuring that the materials they provide are either in the public domain or authorized for distribution. By adhering to copyright laws, users can enjoy the benefits of free access to knowledge while supporting the authors and publishers who make these resources available. In conclusion, the availability of Nv3550 Service Manual free PDF books and manuals for download has revolutionized the way we access and consume knowledge. With just a few clicks, individuals can explore a vast collection of resources across different disciplines, all free of charge. This accessibility empowers individuals to become lifelong learners, contributing to personal growth, professional development, and the advancement of society as a whole. So why not unlock a world of knowledge today? Start exploring the vast sea of free PDF books and manuals waiting to be discovered right at your fingertips.

FAQs About Nv3550 Service Manual Books

What is a Nv3550 Service Manual PDF? A PDF (Portable Document Format) is a file format developed by Adobe that preserves the layout and formatting of a document, regardless of the software, hardware, or operating system used to view or print it. **How do I create a Nv3550 Service Manual PDF?** There are several ways to create a PDF: Use software like Adobe Acrobat, Microsoft Word, or Google Docs, which often have built-in PDF creation tools. Print to PDF: Many applications and operating systems have a "Print to PDF" option that allows you to save a document as a PDF file instead of printing it on paper. Online converters: There are various online tools that can convert different file types to PDF. **How do I edit a Nv3550 Service Manual PDF?** Editing a PDF can be done with software like Adobe Acrobat, which allows direct

editing of text, images, and other elements within the PDF. Some free tools, like PDFescape or Smallpdf, also offer basic editing capabilities. **How do I convert a Nv3550 Service Manual PDF to another file format?** There are multiple ways to convert a PDF to another format: Use online converters like Smallpdf, Zamzar, or Adobe Acrobats export feature to convert PDFs to formats like Word, Excel, JPEG, etc. Software like Adobe Acrobat, Microsoft Word, or other PDF editors may have options to export or save PDFs in different formats. **How do I password-protect a Nv3550 Service Manual PDF?** Most PDF editing software allows you to add password protection. In Adobe Acrobat, for instance, you can go to "File" -> "Properties" -> "Security" to set a password to restrict access or editing capabilities. Are there any free alternatives to Adobe Acrobat for working with PDFs? Yes, there are many free alternatives for working with PDFs, such as: LibreOffice: Offers PDF editing features. PDFsam: Allows splitting, merging, and editing PDFs. Foxit Reader: Provides basic PDF viewing and editing capabilities. How do I compress a PDF file? You can use online tools like Smallpdf, ILovePDF, or desktop software like Adobe Acrobat to compress PDF files without significant quality loss. Compression reduces the file size, making it easier to share and download. Can I fill out forms in a PDF file? Yes, most PDF viewers/editors like Adobe Acrobat, Preview (on Mac), or various online tools allow you to fill out forms in PDF files by selecting text fields and entering information. Are there any restrictions when working with PDFs? Some PDFs might have restrictions set by their creator, such as password protection, editing restrictions, or print restrictions. Breaking these restrictions might require specific software or tools, which may or may not be legal depending on the circumstances and local laws.

Find Nv3550 Service Manual :

jesus heals the paralysed man bible verse

johnny appleseed pdf

jewish traditional music

josephus bible commentary

john nash books

joseph smith documentary

john grisham the partner summary

julia child cooking school provence france

kaplan ati teas

jesus calls us friend

joe witty toms river

julius caesar play pdf

juhani otso berg

journal of electronic materials

jonathan swift a modest proposal summary

Nv3550 Service Manual :