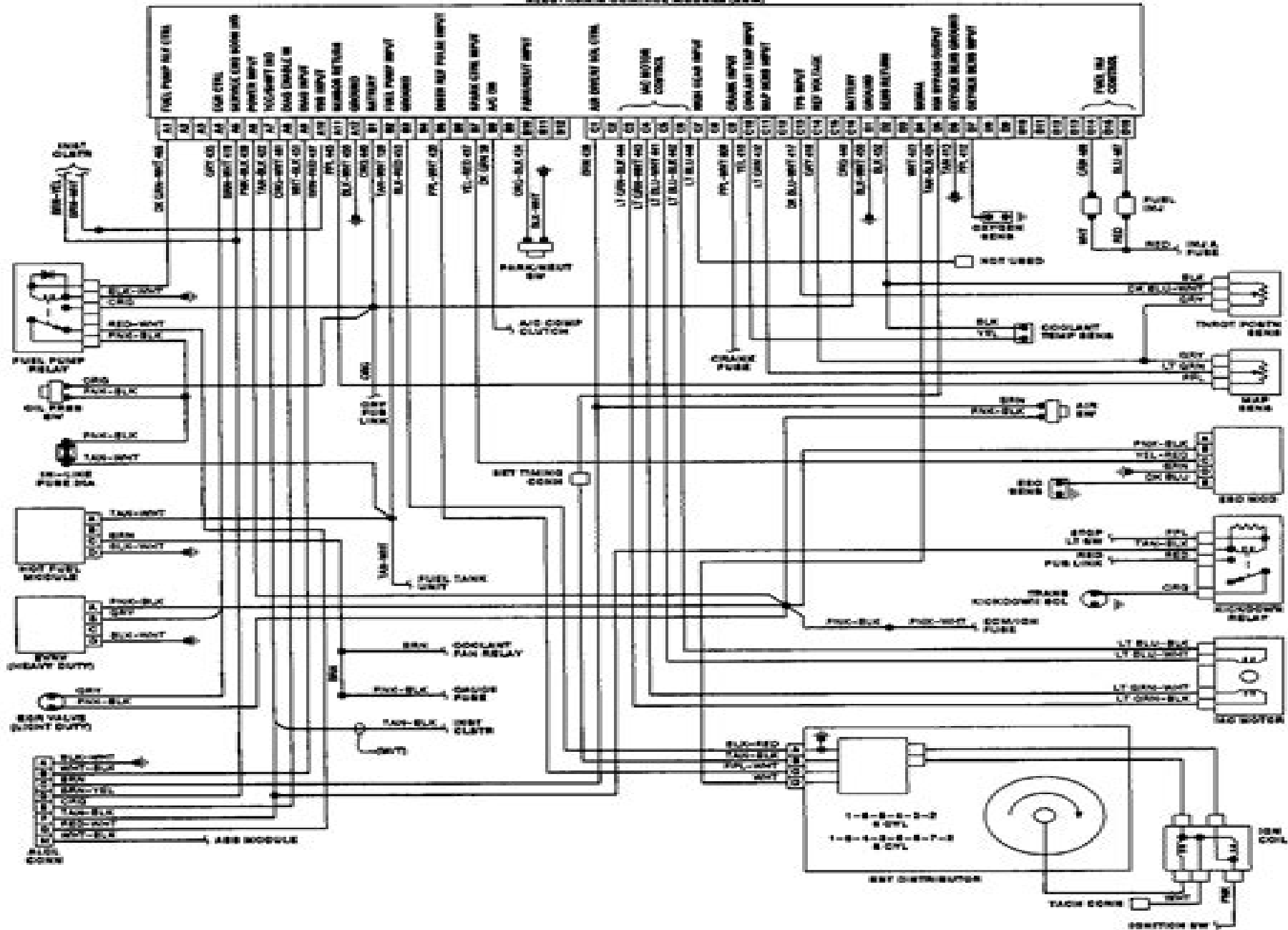


ELECTRONIC CONTROL MODULE (ECM)



1993 Chevy 1500 Engine Diagram

Cars & Parts



1993 Chevy 1500 Engine Diagram

Chilton's General Motors Full Size Trucks Thomas A. Mellon,1996 Covers all U S and Canadian models of Chevrolet GMC pick ups Sierra Blazer Tahoe Yukon and Suburban 2 and 4 wheel drive gasoline and diesel engines Cover

Chevy Big-Block Engine Parts Interchange John Baechtel,2014-04-10 The venerable Chevy big block engines have proven themselves for more than half a century as the power plant of choice for incredible performance on the street and strip They were innovators and dominators of the muscle car wars of the 1960s and featured a versatile design architecture that made them perfect for both cars and trucks alike Throughout their impressive production run the Chevy big block engines underwent many generations of updates and improvements Understanding which parts are compatible and work best for your specific project is fundamental to a successful and satisfying Chevy big block engine build In Chevy Big Block Engine Parts Interchange hundreds of factory part numbers RPOs and detailed color photos covering all generations of the Chevy big block engine are included Every component is detailed from crankshafts and rods to cylinder heads and intakes You ll learn what works what doesn t and how to swap components among different engine displacements and generations This handy and informative reference manual lets you create entirely unique Chevy big block engines with strokes bores and power outputs never seen in factory configurations Also included is real world expert guidance on aftermarket performance parts and even turnkey crate motors It s a comprehensive guide for your period correct restoration or performance build John Baechtel brings his accumulated knowledge and experience of more than 34 years of high performance engine and vehicle testing to this book He details Chevy big block engines and their various components like never before with definitive answers to tough interchange questions and clear instructions for tracking down rare parts You will constantly reference the Chevy Big Block Parts Interchange on excursions to scrap yards and swap meets and certainly while building your own Chevy big block engine

How to Rebuild Big-Block Chevy Engines Tom Wilson,1987-01-01 From workhorse to racehorse the big block Chevy provided the power demands of the mid 60s used in everything from medium duty trucks to Corvettes these engines are worth rebuilding Do it right with this book Clear concise text guides you through each engine rebuilding step Includes complete specifications and more than 500 photos drawings charts and graphs Covers troubleshooting parts reconditioning and engine assembly Tells you how to do a complete overhaul or a simple parts swap One whole chapter on parts identification tells how to interchange parts for improvised durability or performance Includes comprehensive specifications and casting numbers

Catalog of Chevy V-8 Engine Casting Numbers 1955-1993 Cars & Parts,1995-01-13 Can you tell which water pump is for pre 1969 applications Does the complete casting number always appear on all crankshafts Answers to these questions and many more fill this complete guide to all 1955 93 Chevy V 8s Coverage includes blocks heads crankshafts intake and exhaust manifolds carburetors fuel pumps water pumps generator alternators and EGR valves

1993 Chevrolet S-10 Light Duty Truck Shop Manual GM Corporation,2020-05-10 This 1993 Chevrolet S 10 Light Duty Truck Shop Manual is a high quality licensed PRINT reproduction of the service manual authored by General Motors Corporation and published by Detroit Iron This OEM factory manual is 8 5 x 11 inches paperback bound shrink wrapped and contains 2204 pages of comprehensive mechanical instructions with detailed diagrams photos and specifications for the mechanical components of your vehicle such as the engine transmission suspension brakes fuel exhaust steering electrical and drive line Service repair manuals were originally written by the automotive manufacturer to be used by their dealership mechanics The following 1993 Chevrolet models are covered S10 S10 Blazer This factory written Detroit Iron shop manual is perfect for the restorer or anyone working on one of these vehicles

How to Build Max-Performance Chevy LT1/LT4 Engines Myron Cottrell, Eric McClellan, 2012 GM's LT1 LT4 engines represented the highest level of small block V 8 development for the period between the legendary small block Chevrolet and the introduction of the LS series V 8 They powered all of the hottest production vehicles of the 1990s including the Corvette Camaro Firebird and Caprice Impala SS These enhanced small blocks were reliable and strong and can be built to impressive performance levels on a relatively small budget with the right upgrades This book guides you through the factory and aftermarket components of the LT1 LT4 engines offering sound performance advice and recommendations Additionally complete engine buildup recipes are provided along with their respective horsepower and torque levels You can follow the advice of experts and achieve targeted results for your own project

Collecting Model Car and Truck Kits Tim Boyd, New from the Nostalgic Treasures series a comprehensive guide for modelers or would be modelers Discover histories and descriptions of some of the more significant collectible groups of kits including AMT's Trophy Series double kits 1953 62 Corvette kits Mopar B body kits Classic kits and more Find out how to get started collecting model cars what to look for and the pros and cons of collecting versus building vintage kits A superb addition to your modeling library

Cars & Parts ,2001

Chevrolet S-10 & GMC Sonoma Pick-ups Max Haynes, 2008-08-01 Haynes manuals are written specifically for the do it yourself yet are complete enough to be used by professional mechanics Since 1960 Haynes has produced manuals written from hands on experience based on a vehicle teardown with hundreds of photos and illustrations making Haynes the world leader in automotive repair information Covers Chevy S 10 and GMC Sonoma pickups 1994 2004 Blazer and Jimmy 1995 2004 GMC Envoy 1998 2001 and Oldsmobile Bravada Isuzu Hombre 1996 2001

Building the Chevy LS Engine HP1559 Mike Mavrigian, 2010-12-07 This is an engine rebuilding and modification guide that includes sections on history engine specs disassembly cylinder block and bottom end reconditioning cylinder heads and valvetrain reconditioning balancing step by step engine reassembly torque values and OEM part numbers for the popular Chevy LS series of engines

How to Swap LS & LT Engines into Chevy & GMC Trucks: 1960-1998 Jefferson Bryant,2023-12-15 In the last few years of the automotive collector market light trucks have become a hot commodity especially Chevy trucks Unlike in the past heavily modified vehicles command a premium over stock restorations Owners of these trucks which were often fairly crude and not much fun to drive are demanding modern performance and technology in each system The brakes suspension steering air conditioning and electronics can be upgraded to make your old truck drive like new Of course the drivetrain is arguably the most important part of that equation and that means swapping an LS or LT engine and a modern transmission into your classic Chevy truck To perform a successful LS or LT engine swap into an older Chevy truck proper planning the right combination of parts and the correct information is required to complete the project How to Swap LS select and install the exhaust intake and fuel pumps and upgrade the cooling system for the high performance LS and LT While the swapping process is covered in detail the author also provides a helpful LS and LT engine guide This helps you find the best option for your application and understand the different considerations for these two engines Whether you are ready to get started right now or want to use this book to determine whether you want to tackle this project this book is essential to making informed decisions along the way

Ultimate American V-8 Engine Data Book, 2nd Edition Peter C. Sessler,

How to Rebuild Your Small-Block Chevy David Vizard,1991-06-18 Hundreds of photos charts and diagrams guide readers through the rebuilding process of their small block Chevy engine Each step from disassembly and inspection through final assembly and tuning is presented in an easy to read user friendly format

F&S Index United States Annual ,1996

Chevy/GMC Trucks 1973-1987 Jim Pickering,2020-05-15 Build and modify your 1973 1987 GMC or Chevrolet truck in your garage with step by step processes to boost power add curb appeal and improve stopping ability handling safety and more GM s square body trucks are a solid simple and easy to find rig and that makes them perfect for modification They re American classics and they ve become the hot rods of a new generation Veteran magazine editor Jim Pickering brings these trucks into focus taking you through the aspects that make them so popular and modifications you can perform to put a modern spin on their classic looks He takes an in depth look at all the major systems in your C10 and covers what can be done to them to turn your classic hauler into the modern hot rod that you want a truck that s fast safe full of curb appeal and reliable enough to drive whenever and wherever you want Built in massive numbers during an 18 year production run these trucks aren t hard to source but finding a good starting point and mapping out your plan are important This book covers a lot of territory how to find a good starter truck LS power builds and installs slammed air suspension and coilover systems automatic and manual transmission choices including a 6 speed manual conversion cooling system upgrades safely adding a modern alternator to factory GM wiring modifying a mechanical clutch pedal to use a hydraulic master and slave cylinder making new fuel lines and brake lines to support fuel injection and big brakes installing a 4 link rear suspension system fabricating an under bed mount to hide air suspension components building exhaust adding LED lighting interior restoration and more If you re building a square body truck that you d actually like to drive regularly you ve come to the right place There hasn t ever been a more comprehensive authoritative look at building a complete truck for street use that includes all the steps required to make it work

TPA ,2002

How to Restore Your Chevy Truck Kevin Whipps, 2018-04-18 When Chevy released its third generation C K pickup trucks the stout and sturdy performers captured the attention of Chevy and GMC truck enthusiasts As a result millions were sold during their 18 year production run The new cab design featured rounded windshield corners rounded cab roof and sloped and rounded doors so they were called the rounded line trucks by General Motors Enthusiasts however didn't agree Because of the overall squarer appearance of the trucks they were soon called the squarebody by enthusiasts and journalists alike Although the older Chevy GMC pickups are more exclusive the third generation pickups are plentiful are increasing in collector value and fortunately have parts that are readily available As an on and off road utility vehicle Chevy GMC trucks have been towing hauling and operating in a variety of conditions After all of these years of hard use and exposure to harsh conditions many of these extensively used trucks are in desperate need of restoration Whether you own a regular super or crew cab with a short or long box this restoration guide provides the pertinent information and instruction to restore your truck to original condition Seasoned truck magazine writer Kevin Whipps explains real world techniques for restoring classic Chevy and GMC pickups at home You are shown how to comprehensively inspect properly assess and accurately budget your restoration project You are also guided through each major portion of truck restoration including engine suspension chassis bodywork paint brakes steering transmission driveline electrical system interior and more Special coverage is dedicated to the replacement of body panels and the repair of box cab and other body parts When pro caliber bodywork has been performed you have an excellent foundation for the paint and in turn you're shown to prep shoot and buff the paint job The rounded line Chevy GMC trucks are extremely popular as stock restorations fast street trucks and off road duty trucks But before you can build a specialty truck you need to have a solid reliable restored truck This book provides the invaluable information and step by step instruction to return these trucks to their original glory An authoritative and comprehensive restoration guide for the 1973 1987 Chevy GMC trucks has not been available until now

GM 6.2 & 6.5 Liter Diesel Engines John F. Kershaw, 2020-08-15 Finally a rebuild and performance guide for GM 6.2 and 6.5L diesel engines In the late 1970s and early 1980s there was considerable pressure on the Detroit automakers to increase the fuel efficiency for their automotive and light truck lines While efficient electronic engine controls and computer controlled gas engine technology was still in the developmental stages the efficiency of diesel engines was already well documented during this time period As a result General Motors added diesel engine options to its car and truck lines in an attempt to combat high gas prices and increase fuel efficiency The first mass produced V 8 diesel engines of the era the 5.7L variants appeared in several General Motors passenger car models beginning in 1978 and are often referred to as the Oldsmobile Diesels because of the number of Oldsmobile cars equipped with this option This edition faded from popularity in the early 1980s as a result of falling gas prices and quality issues with diesel fuel suppliers giving the cars a bad reputation for dependability and reliability The 6.2L appeared in 1982 and the 6.5L in 1992 as the focus for diesel applications shifted from cars to light trucks These engines served faithfully and remained in production until 2001 when the new Duramax design replaced it in all but a few military applications While very durable and reliable most of these engines have a lot of miles on them and many are in need of a rebuild This book will take you through the entire rebuild process step by step from diagnosis to tear down inspection to parts sourcing machining and finally reassembly Also included is valuable troubleshooting information detailed explanations of how systems work and even a complete Stanadyne DB2 rebuild section to get the most out of your engine in the modern era If you have a 6.2 or 6.5L GM diesel engine this book is a must have item for your shop or library

Small-Block Chevy Performance 1955-1996 John Baechtel,2006 The small block Chevy is widely known as the most popular engine of all time Produced in staggering numbers and boasting huge aftermarket support small blocks are the engine of choice for a large segment of the performance community Originally published as two separate volumes Small Block Chevy Performance 1955 1996 now covers the latest information on all Gen I and Gen II Chevy small blocks this time in one volume This book continues to be the best power source book for small block Chevy The detailed text and photos deliver the best solutions for making your engine perform Extensive chapters explain proven techniques for preparing blocks crankshafts connecting rods pistons cylinder heads and much more Other chapters include popular ignition carburetor camshaft and valvetrain tips and tricks

Chevrolet Cruze Haynes Repair Manual Editors of Haynes Manuals,2020-05-26 Complete step by step repair and maintenance information 700 photos and wiring diagrams all based on a full disassembly and reassembly of the vehicle

Embark on a transformative journey with is captivating work, **1993 Chevy 1500 Engine Diagram** . This enlightening ebook, available for download in a convenient PDF format , invites you to explore a world of boundless knowledge. Unleash your intellectual curiosity and discover the power of words as you dive into this riveting creation. Download now and elevate your reading experience to new heights .

<https://offsite.creighton.edu/data/scholarship/index.jsp/nclex%20rn%20study%20guide%20pdf.pdf>

https://offsite.creighton.edu/data/scholarship/index.jsp/navy_memorandum_format.pdf

<https://offsite.creighton.edu/data/scholarship/index.jsp/new%20movie%20from%20makers%20of%20fireproof.pdf>

Table of Contents 1993 Chevy 1500 Engine Diagram

1. Understanding the eBook 1993 Chevy 1500 Engine Diagram
 - The Rise of Digital Reading 1993 Chevy 1500 Engine Diagram
 - Advantages of eBooks Over Traditional Books
2. Identifying 1993 Chevy 1500 Engine Diagram
 - Exploring Different Genres
 - Considering Fiction vs. Non-Fiction
 - Determining Your Reading Goals
3. Choosing the Right eBook Platform
 - Popular eBook Platforms
 - Features to Look for in an 1993 Chevy 1500 Engine Diagram
 - User-Friendly Interface
4. Exploring eBook Recommendations from 1993 Chevy 1500 Engine Diagram
 - Personalized Recommendations
 - 1993 Chevy 1500 Engine Diagram User Reviews and Ratings
 - 1993 Chevy 1500 Engine Diagram and Bestseller Lists
5. Accessing 1993 Chevy 1500 Engine Diagram Free and Paid eBooks
 - 1993 Chevy 1500 Engine Diagram Public Domain eBooks
 - 1993 Chevy 1500 Engine Diagram eBook Subscription Services
 - 1993 Chevy 1500 Engine Diagram Budget-Friendly Options

6. Navigating 1993 Chevy 1500 Engine Diagram eBook Formats
 - ePub, PDF, MOBI, and More
 - 1993 Chevy 1500 Engine Diagram Compatibility with Devices
 - 1993 Chevy 1500 Engine Diagram Enhanced eBook Features
7. Enhancing Your Reading Experience
 - Adjustable Fonts and Text Sizes of 1993 Chevy 1500 Engine Diagram
 - Highlighting and Note-Taking 1993 Chevy 1500 Engine Diagram
 - Interactive Elements 1993 Chevy 1500 Engine Diagram
8. Staying Engaged with 1993 Chevy 1500 Engine Diagram
 - Joining Online Reading Communities
 - Participating in Virtual Book Clubs
 - Following Authors and Publishers 1993 Chevy 1500 Engine Diagram
9. Balancing eBooks and Physical Books 1993 Chevy 1500 Engine Diagram
 - Benefits of a Digital Library
 - Creating a Diverse Reading Collection 1993 Chevy 1500 Engine Diagram
10. Overcoming Reading Challenges
 - Dealing with Digital Eye Strain
 - Minimizing Distractions
 - Managing Screen Time
11. Cultivating a Reading Routine 1993 Chevy 1500 Engine Diagram
 - Setting Reading Goals 1993 Chevy 1500 Engine Diagram
 - Carving Out Dedicated Reading Time
12. Sourcing Reliable Information of 1993 Chevy 1500 Engine Diagram
 - Fact-Checking eBook Content of 1993 Chevy 1500 Engine Diagram
 - Distinguishing Credible Sources
13. Promoting Lifelong Learning
 - Utilizing eBooks for Skill Development
 - Exploring Educational eBooks
14. Embracing eBook Trends
 - Integration of Multimedia Elements

- Interactive and Gamified eBooks

1993 Chevy 1500 Engine Diagram Introduction

Free PDF Books and Manuals for Download: Unlocking Knowledge at Your Fingertips In today's fast-paced digital age, obtaining valuable knowledge has become easier than ever. Thanks to the internet, a vast array of books and manuals are now available for free download in PDF format. Whether you are a student, professional, or simply an avid reader, this treasure trove of downloadable resources offers a wealth of information, conveniently accessible anytime, anywhere. The advent of online libraries and platforms dedicated to sharing knowledge has revolutionized the way we consume information. No longer confined to physical libraries or bookstores, readers can now access an extensive collection of digital books and manuals with just a few clicks. These resources, available in PDF, Microsoft Word, and PowerPoint formats, cater to a wide range of interests, including literature, technology, science, history, and much more. One notable platform where you can explore and download free 1993 Chevy 1500 Engine Diagram PDF books and manuals is the internet's largest free library. Hosted online, this catalog compiles a vast assortment of documents, making it a veritable goldmine of knowledge. With its easy-to-use website interface and customizable PDF generator, this platform offers a user-friendly experience, allowing individuals to effortlessly navigate and access the information they seek. The availability of free PDF books and manuals on this platform demonstrates its commitment to democratizing education and empowering individuals with the tools needed to succeed in their chosen fields. It allows anyone, regardless of their background or financial limitations, to expand their horizons and gain insights from experts in various disciplines. One of the most significant advantages of downloading PDF books and manuals lies in their portability. Unlike physical copies, digital books can be stored and carried on a single device, such as a tablet or smartphone, saving valuable space and weight. This convenience makes it possible for readers to have their entire library at their fingertips, whether they are commuting, traveling, or simply enjoying a lazy afternoon at home. Additionally, digital files are easily searchable, enabling readers to locate specific information within seconds. With a few keystrokes, users can search for keywords, topics, or phrases, making research and finding relevant information a breeze. This efficiency saves time and effort, streamlining the learning process and allowing individuals to focus on extracting the information they need. Furthermore, the availability of free PDF books and manuals fosters a culture of continuous learning. By removing financial barriers, more people can access educational resources and pursue lifelong learning, contributing to personal growth and professional development. This democratization of knowledge promotes intellectual curiosity and empowers individuals to become lifelong learners, promoting progress and innovation in various fields. It is worth noting that while accessing free 1993 Chevy 1500 Engine Diagram PDF books and manuals is convenient and cost-effective, it is vital to respect copyright laws and intellectual property rights. Platforms offering free downloads often operate within legal

boundaries, ensuring that the materials they provide are either in the public domain or authorized for distribution. By adhering to copyright laws, users can enjoy the benefits of free access to knowledge while supporting the authors and publishers who make these resources available. In conclusion, the availability of 1993 Chevy 1500 Engine Diagram free PDF books and manuals for download has revolutionized the way we access and consume knowledge. With just a few clicks, individuals can explore a vast collection of resources across different disciplines, all free of charge. This accessibility empowers individuals to become lifelong learners, contributing to personal growth, professional development, and the advancement of society as a whole. So why not unlock a world of knowledge today? Start exploring the vast sea of free PDF books and manuals waiting to be discovered right at your fingertips.

FAQs About 1993 Chevy 1500 Engine Diagram Books

How do I know which eBook platform is the best for me? Finding the best eBook platform depends on your reading preferences and device compatibility. Research different platforms, read user reviews, and explore their features before making a choice. Are free eBooks of good quality? Yes, many reputable platforms offer high-quality free eBooks, including classics and public domain works. However, make sure to verify the source to ensure the eBook credibility. Can I read eBooks without an eReader? Absolutely! Most eBook platforms offer webbased readers or mobile apps that allow you to read eBooks on your computer, tablet, or smartphone. How do I avoid digital eye strain while reading eBooks? To prevent digital eye strain, take regular breaks, adjust the font size and background color, and ensure proper lighting while reading eBooks. What the advantage of interactive eBooks? Interactive eBooks incorporate multimedia elements, quizzes, and activities, enhancing the reader engagement and providing a more immersive learning experience. 1993 Chevy 1500 Engine Diagram is one of the best book in our library for free trial. We provide copy of 1993 Chevy 1500 Engine Diagram in digital format, so the resources that you find are reliable. There are also many Ebooks of related with 1993 Chevy 1500 Engine Diagram. Where to download 1993 Chevy 1500 Engine Diagram online for free? Are you looking for 1993 Chevy 1500 Engine Diagram PDF? This is definitely going to save you time and cash in something you should think about. If you trying to find then search around for online. Without a doubt there are numerous these available and many of them have the freedom. However without doubt you receive whatever you purchase. An alternate way to get ideas is always to check another 1993 Chevy 1500 Engine Diagram. This method for see exactly what may be included and adopt these ideas to your book. This site will almost certainly help you save time and effort, money and stress. If you are looking for free books then you really should consider finding to assist you try this. Several of 1993 Chevy 1500 Engine Diagram are for sale to free while some are payable. If you arent sure if the books you would like to download works with for usage along with your computer, it is possible to download free trials.

The free guides make it easy for someone to free access online library for download books to your device. You can get free download on free trial for lots of books categories. Our library is the biggest of these that have literally hundreds of thousands of different products categories represented. You will also see that there are specific sites catered to different product types or categories, brands or niches related with 1993 Chevy 1500 Engine Diagram. So depending on what exactly you are searching, you will be able to choose e books to suit your own need. Need to access completely for Campbell Biology Seventh Edition book? Access Ebook without any digging. And by having access to our ebook online or by storing it on your computer, you have convenient answers with 1993 Chevy 1500 Engine Diagram To get started finding 1993 Chevy 1500 Engine Diagram, you are right to find our website which has a comprehensive collection of books online. Our library is the biggest of these that have literally hundreds of thousands of different products represented. You will also see that there are specific sites catered to different categories or niches related with 1993 Chevy 1500 Engine Diagram So depending on what exactly you are searching, you will be able to choose ebook to suit your own need. Thank you for reading 1993 Chevy 1500 Engine Diagram. Maybe you have knowledge that, people have search numerous times for their favorite readings like this 1993 Chevy 1500 Engine Diagram, but end up in harmful downloads. Rather than reading a good book with a cup of coffee in the afternoon, instead they juggled with some harmful bugs inside their laptop. 1993 Chevy 1500 Engine Diagram is available in our book collection an online access to it is set as public so you can download it instantly. Our digital library spans in multiple locations, allowing you to get the most less latency time to download any of our books like this one. Merely said, 1993 Chevy 1500 Engine Diagram is universally compatible with any devices to read.

Find 1993 Chevy 1500 Engine Diagram :

[nelex rn study guide pdf](#)

[navy memorandum format](#)

new movie from makers of fireproof

[national electrical code wire size](#)

narrative medicine graduate programs

[neha certified professional in food safety](#)

narcotics anonymous prayer

native american myths and legends

needle lace patterns

new frontier president

nasm vs acsm

[native american short stories for high school](#)

[nih stroke scale certification answers group a](#)

[naturally lower histamine](#)

[newborn assessment nursing](#)

1993 Chevy 1500 Engine Diagram :

X L R It is important to read your. Owner Manual and become familiar with the information ... Cadillac owner Center at My GMLink, visit www.cadillac.com. Certain ... GM Owner Manuals 2006 Cadillac XLR Owner Manual M. Page 2. GENERAL MOTORS, GM, the GM Emblem ... Roadside Service is prepared to assist owners who have hearing difficulties or ... 2006 Cadillac XLR/XLR-V Owner Manual Contains information on the proper operation and care of the vehicle. The Owner Guide may include Maintenance Schedule. Owner Guide supplements are available ... Repair Manuals & Literature for Cadillac XLR Get the best deals on Repair Manuals & Literature for Cadillac XLR when you shop the largest online selection at eBay.com. Free shipping on many items ... User manual Cadillac XLR (2006) (English - 456 pages) Manual. View the manual for the Cadillac XLR (2006) here, for free. This manual comes under the category cars and has been rated by 1 people with an average ... 2006 Cadillac XLR - Owner's Manual - 456 Pages ... Cadillac · 2006 XLR · Owner's Manual. 2006 Cadillac XLR — Owner's Manual. Posted on 10 Apr, 2020. Model: 2006 Cadillac XLR Pages: 456. File size: 4 MB. 2006 Cadillac Xlr owners manual - OwnersMan The Cadillac Xlr owner's manual is a comprehensive guide provided by Cadillac to assist owners in understanding and operating their specific model of the ... Free 2006 Cadillac XLR Owner's Manual - VinCheck.info Sep 20, 2022 — Free 2006 Cadillac XLR Owner's Manual. Find detailed technical information on your Cadillac vehicle operation & maintenance. 2006 Cadillac XLR (YX-Platform) Service Manual Set 2006 Cadillac XLR (YX-Platform) Service Manual Set. Contains Factory Authorized Service information written by General Motors. Introduction to Dive Master Course This program introduces you to the concepts, skills, and knowledge necessary to join the ranks of PADI Professionals worldwide. Start now for free! Dive Master PDF | PDF | Scuba Diving | Underwater Sports 25/4/2015 Divemaster. PADI Divemaster Manual Knowledge Reviews Knowledge Reviews Section 1 - The Role & Characteristics of the PADI Divemaster PADI Instructor Manual 2020 In early February, as a benefit of your PADI® Membership, download the 2020 edition of the PADI Instructor Manual along with the errata document from the ... PADI-Divemaster-Manual (pdf) Oct 17, 2023 — Communications document from Webster University, 36 pages, PADI Divemaster Manual PADI DIVEMASTER course Index <https://www.thomas-n-ruth.com> ... Free Scuba Manuals & More My wife and I have a large collection of free downloadable PDF documents of scuba manuals for both divers and instructors including PADI, NASE, ESA, NSI... PADI Divemaster Manual by Alex Brylske PADI Divemaster Manual. Alex Brylske, Tonya Palazzi (Editor), Mary E. Beveridge (Editor) ...more ...

Download app for Android. © 2023 Goodreads, Inc. Padi Divemaster Manual Pdf Take the PADI Divemaster course and do what you love to do as a career. Scuba divers look up to divemasters because they are leaders who mentor and motivate ... Instructor Manual - PADI IDC Koh Tao Thailand Download the most current forms from padi.com/Pros' Site. Check with your ... Knowledge Reviews in the PADI Divemaster Manual or through Divemaster Online, and ... Free Digital PADI Instructor Manual To download the PADI Instructor Manual, visit the PADI Pros' Site and select 'Training Essentials > Digital Instructor Manual'. manual. You can then choose ... Required Books - American Pro Diving Center All training materials for courses leading up to PADI Divemaster level including manuals, videos, and multimedia products for the PADI Open Water Diver course,. bacteria virus REVIEW KEY.pdf A bacterium reproduces asexually by dividing to form two new bacterial cells. What is the name of the process by which bacteria reproduce? a. meiosis. Study Guide ch 18 to 37.pdf CHAPTER 18 Bacteria and Viruses. 15. Page 4. Study Guide, Section 2: Viruses and Prions continued. In your textbook, read about retroviruses. Use each of the ... Biology Unit 9 : Bacteria and Viruses (study guide answers) Study with Quizlet and memorize flashcards containing terms like What is the purpose of Flagella?, What is the purpose of the Pili?, What is the purpose of ... Bacteria and Viruses Vocabulary Study Guide with key Bacteria and Viruses Vocabulary Study Guide with key. 20 vocabulary words defined that are applicable to bacterial and viral groups, shapes, life cycles, ... Biology, Ch. 18 Bacteria and Viruses: Study Guide Study with Quizlet and memorize flashcards containing terms like What are the types of cell bacteria?, What is domain bacteria (eubacteria)?, What is domain ... Characteristics of Organisms, Bacteria, Viruses Study Guide Complete as much as you can without using your book or notes, then you know what to study! What's the difference between bacteria and viruses? Apr 20, 2020 — Both bacteria and viruses are invisible to the naked eye and cause your sniff, fever or cough, so how can we tell the difference? Lesson 1 What are bacteria? Lesson 1 What are bacteria? Scan Lesson 1. Then write three questions that you have about bacteria in your Science. Journal. Try to answer your questions as ... virsues and bacteria study guide.pdf - Bacteria Viruses Bacteria, Viruses, and Immunity Study Guide Viruses 1. Form and defend an argument for whether viruses are living or non-living. Viruses are not living.