

# **OLYMPUS**

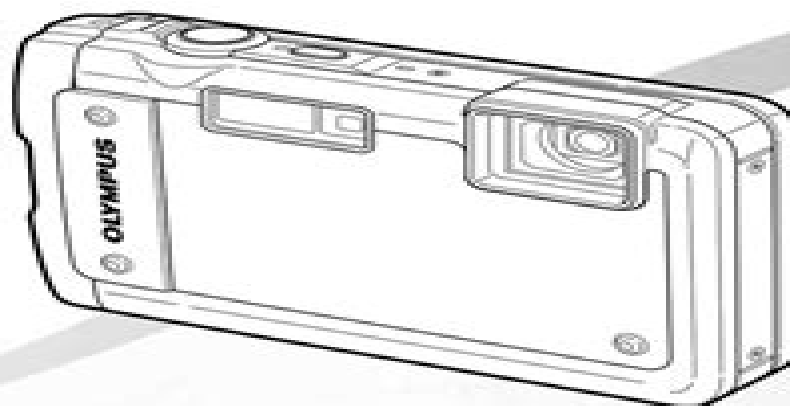
DIGITAL CAMERA

***STYLUS TOUGH-8010 | μ | TOUGH-8010***

***STYLUS TOUGH-6020 | μ | TOUGH-6020***

***STYLUS TOUGH-3000 | μ | TOUGH-3000***

**Instruction Manual**



- Thank you for purchasing an Olympus digital camera. Before you start to use your new camera, please read these instructions carefully to enjoy optimum performance and a longer service life. Keep this manual in a safe place for future reference.
- The application software and instruction manual PDF file are stored on the internal memory of the camera.
- We recommend that you take test shots to get accustomed to your camera before taking important photographs.
- In the interest of continually improving products, Olympus reserves the right to update or modify information contained in this manual.
- The screen and camera illustrations shown in this manual were produced during the development stages and may differ from the actual product. Unless otherwise specified, the explanation about these illustrations is provided for STYLUS TOUGH-8010/μ TOUGH-8010.

# Olympus Stylus Tough 8010 Instruction Manual

**Yan Bai**



# Olympus Stylus Tough 8010 Instruction Manual

**Filmmaking for fieldwork** Andy Lawrence,2020-08-04 Designed for researchers seeking new ways to explore their field and media professionals aiming to extend their practice this filmmaking handbook shows you how to plug in to issues at the intersection of documentary cinema and ethnography Exploring the unique potential for filmmaking to describe lifeworlds and the role of video editing in generating new ideas about human experience it offers practical and theoretical advice for those making their first films Based on over twenty years of teaching and industry experience Filmmaking for fieldwork aims to inspire the development of core skills in camera use sound recording and editing that can be applied to sensory observational participatory reflexive and immersive modes of storytelling Written for a multi disciplinary audience this book covers all stages necessary to produce a documentary film from conception through to preparation production editing and distribution

**Instruction Manual for Camera, Still Picture KA-60 F415G** ,19?? *Instruction Manual for Users of the "Eagle Aircraft Camera"* ,

**ECO-COMPASS** Xiaosu Yi,Konstantinos Tserpes,2019-04-25 Today mainly man made materials such as carbon and glass fibers are used to produce composite parts in aviation Renewable materials such as natural fibers or bio sourced resin systems have not yet found their way into aviation The project ECO COMPASS aims to evaluate the potential applications of ecologically improved composite materials in the aviation sector in an international collaboration of Chinese and European partners Natural fibers such as flax and ramie will be used for different types of reinforcements and sandwich cores Furthermore bio based epoxy resins to substitute bisphenol A based epoxy resins in secondary structures are under investigation Adapted material protection technologies to reduce environmental influence and to improve fire resistance are needed to fulfil the demanding safety requirements in aviation Modelling and simulation of chosen eco composites aims for an optimized use of materials while a Life Cycle Assessment aims to prove the ecological advantages compared to synthetic state of the art materials This Special Issue provides selected papers from the project consortium partners

*The Educators' Handbook to Interactive Videodisc* Ed Schwartz,1985 This overview of interactive videodisc technology is designed to assist educators in finding the appropriate equipment and software for any specific application The handbook may also serve as a starting point for many educators who know nothing of the technology and assist them in deciding whether this technology is worth pursuing as an educational tool in specific situations Although not comprehensive the listings reflect a good portion of the videodisc related products available today and the prices provide a good indication of the general price range of specific items The handbook contains 10 chapters 1 Introduction to Videodiscs 2 Overview of Laser Disc Systems 3 Selecting a Laser Videodisc Player 4 Video Playback Units 5 Videodisc Interface Units 6 Disc Player Peripherals 7 Videodisc System Packages 8 Educational Videodisc Software 9 Interactive Videodisc Authoring Languages and 10 Videodisc Care and Maintenance Appendices include directories of laser disc players television monitors

and projects laser disc interfaces laser disc peripherals laser disc system packages videodisc software listed by subject area videodisc mastering options interactive authoring languages service information and videodisc resources which includes a manufacturer s index DJR

Instruction Manual for Users of the "Eagle Aircraft Camera , **Introduction to Microscopy by Means of Light, Electrons, X Rays, or Acoustics** Theodore G. Rochow,Paul A. Tucker,2013-06-29 Following three printings of the First Edition 1978 the publisher has asked for a Second Edition to bring the contents up to date In doing so the authors aim to show how the newer microscopies are related to the older types with respect to theoretical resolving power what you pay for and resolution what you get The book is an introduction to students technicians technologists and scientists in biology medicine science and engineering It should be useful in academic and industrial research consulting and forensics how ever the book is not intended to be encyclopedic The authors are greatly indebted to the College of Textiles of North Carolina State University at Raleigh for support from the administration there for typing word processing stationery mailing drafting diagrams and general assistance We personally thank Joann Fish for word process ing Teresa M Langley and Grace Parnell for typing services Mark Bowen for drawing graphs and diagrams Chuck Gardner for photographic ser vices Deepak Bhattavahalli for his work with the proofs and all the other people who have given us their assistance The authors wish to acknowledge the many valuable suggestions given by Eugene G Rochow and the significant editorial contributions made by Elizabeth Cook Rochow

**Sound and Music Computing** Tapio Lokki,Stefania Serafin,Meinard Müller,Vesa Välimäki,2018-06-26 This book is a printed edition of the Special Issue Sound and Music Computing that was published in Applied Sciences

Posterior Fossa Tumors Anthony J. Raimondi,Maurice Choux,Concezio DiRocco,2012-12-06 It is estimated that the functionally significant body of knowledge for a given medical specialty changes radically every 8 years New specialties and sub specialization are occurring at approximately an equal rate Historically established journals have not been able either to absorb this increase in publishable material or to extend their readership to the new specialists International and national meetings symposia and seminars workshops and newsletters suc cessfully bring to the attention of physicians within developing spe cialties what is occurring but generally only in demonstration form without providing historical perspective pathoanatomical corre lates or extensive discussion Page and time limitations oblige the authors to present only the essence of their material Pediatric neurosurgery is an example of a specialty that has de veloped during the past 15 years Over this period neurosurgeons have obtained special training in pediatric neurosurgery and then dedicated themselves primarily to its practice Centers Chairs and educational programs have been established as groups of neuro in different countries throughout the world organized surgeons themselves respectively into national and international societies for pediatric neurosurgery These events were both preceded and fol lowed by specialized courses national and international journals and ever increasing clinical and investgative studies into all aspects of surgically treatable diseases of the child s nervous system

*The Packraft Handbook* Luc Mehl,2022-01-12 A staple for paddlers The Packraft Handbook has now

become the bible for outdoor recreators taking their inflatable rafts into the backcountry Anchorage Daily News 2021 National Outdoor Book Award Winner in Outdoor Adventure Guides 2022 Banff Mountain Book Competition Guidebook Winner Alaska based author is a leading expert on wilderness travel Emphasis on skill progression and safety applies to wide range of outdoor water recreation Vibrant illustrations and photos inform and inspire The Packraft Handbook is a comprehensive guide to packrafting with a strong emphasis on skill progression and safety Readers will learn to maneuver through river features and open water mitigate risk with trip planning and boat control and how to react when things go wrong Beginners will find everything they need to know to get started from packraft care to proper paddling position as well as what to wear and how to communicate Illustrated for visual learners and featuring stunning photography The Packraft Handbook has something to offer all packrafters and other whitewater sports enthusiasts *The Greek Magical Papyri in Translation, Including the Demotic Spells* Hans Dieter Betz, 1986 Challenges in Cybersecurity and Privacy - the European Research Landscape Jorge Bernal Bernabe, Antonio Skarmeta, 2019 Cybersecurity and Privacy issues are becoming an important barrier for a trusted and dependable global digital society development In this context new holistic approaches methodologies techniques and tools are needed to cope with those issues and mitigate cyberattacks **The Man on Mao's Right** Ji Chaozhu, 2008-07-15 No other narrative from within the corridors of power has offered as frank and intimate an account of the making of the modern Chinese nation as Ji Chaozhu's *The Man on Mao's Right* Having served Chairman Mao Zedong and the Communist leadership for two decades and having become a key figure in China's foreign policy Ji now provides an honest detailed account of the personalities and events that shaped today's People's Republic The youngest son of a prosperous government official nine year old Ji and his family fled Japanese invaders in the late 1930s escaping to America Warmly received by his new country Ji returned its embrace as he came of age in New York's East Village and then attended Harvard University But in 1950 after years of enjoying a life of relative ease while his countrymen suffered through war and civil strife Ji felt driven by patriotism to volunteer to serve China in its conflict with his adoptive country in the Korean War Ji's mastery of the English language and American culture launched his improbable career eventually winning him the role of English interpreter for China's two top leaders Premier Zhou Enlai and Party Chairman Mao Zedong With a unique blend of Chinese insight and American candor Ji paints insightful portraits of the architects of modern China the urbane practical and avuncular Zhou the conscience of the People's Republic and the messianic charismatic Mao student of China's ancient past his country's stern father figure In Ji's memoir he is an eyewitness to modern Chinese history including the Great Leap Forward the Cultural Revolution the Nixon summit and numerous momentous events in Tiananmen Square As he becomes caught up in political squabbles among radical factions Ji's past and charges against him of incorrect thinking subject him to scrutiny and suspicion He is repeatedly sent to a collective farm to be reeducated by the peasants After the Mao years Ji moves on to hold top diplomatic posts in the United States and the United Kingdom and then serves as under

secretary general of the United Nations Today he says The Chinese know America better than the Americans know China The risk is that we misperceive each other This highly accessible insider s chronicle of a struggling people within a developing powerhouse nation is also Ji Chaozhu s dramatic personal story certain to fascinate and enlighten Western readers A riveting biography and unique historical record The Man on Mao s Right recounts the heartfelt struggle of a man who loved two powerful nations that were at odds with each other Ji Chaozhu played an important role in paving the way for what is destined to be known as the Chinese Century Praise for The Man on Mao s Right Brave beautifully written testimony A true fly on the wall account of the momentous changes in Chinese society and international relations over the last century Kirkus Reviews It is a relief to read an account by an urbane and often witty insider who neither idolizes nor demonizes China s top leaders Highly recommended Library Journal starred review **Goethe's Faust** Johann Wolfgang von Goethe,1912

Books in Print Supplement ,1994 Phylogeography of Southern European Refugia Steven Weiss,Nuno Ferrand,2007-06-04 This book provides the first synthesis of the remarkable diversity evolutionary complexity and conservation importance of the flora and fauna in the Mediterranean region with emphasis on the three major peninsular refugia The book highlights biodiversity importance in Southern Europe for European biota conservation and includes chapters from authorities in phylogeography John Avise Remy Petit Ettore Randi Laparoscopic Surgery of the Abdomen Bruce V. MacFadyen, Jr.,Maurice Arregui,Steve Eubanks,Douglas O. Olsen,Jeffrey H. Peters,Nathaniel J. Soper, Lee L. Swanstrom,Steven D. Wexner,2006-06-02 An in depth analysis of the technical aspects of the most commonly performed laparoscopic procedures their indications contraindications and complications Heavily illustrated Laparoscopic Surgery of the Abdomen breaks new ground in visualising operative procedures and problems Seven sections comprising the core curriculum of accepted procedures present gallbladder disease common bile duct exploration hernia colon diseases anti reflux procedures acute abdomen and the role of diagnostic laparoscopy and emerging procedures on the spleen and adrenals Recognised leaders in the field tackle each section emphasising what to do when and how to solve acute situations

**National Geographic Destinations, the American Southwest** Bruce Dale,National Geographic Society,Jake Page,1999 National Geographic launches a new series Destinations that takes readers to some of the world s most fascinating locales for an intimate you are there portrait featuring informative text up to date maps and lush photography BEYOND THE HORIZON takes readers to the edge of enchantment from Iceland to the highlands of Venezuela to the Chinese kingdom of Muli Over 200 color photos and maps Fractals in Biology and Medicine Gabriele A. Losa,Theo F. Nonnenmacher,Danilo Merlini,Ewald R. Weibel,1994 In March 2000 leading scientists gathered at the Centro Seminariale Monte Verit Ascona Switzerland for the Third International Symposium on Fractals 2000 in Biology and Medicine This interdisciplinary conference provided stimulating contributions from the very topical field Fractals in Biology and Medicine This volume highlights the growing power and efficacy of the fractal geometry in understanding how to analyze living

phenomena and complex shapes *Uses of Immobilized Biological Compounds* George G. Guilbault, Marco Mascini, 2012-12-06 In *Uses of Immobilized Biological Compounds* the reader will find a comprehensive survey of the field written by acknowledged experts who met in Brixen Italy between May 9 and 14 1993 for a NATO Advanced Research Workshop devoted to the topic The resulting volume presents a critical review of the latest results in the area and sets guidelines for future research The 53 reports presented here cover A General Aspects of Immobilizing Biological Compounds B Medical Clinical and Pharmaceutical Applications C Electrochemical Biosensors E Defense Applications F Immunosensors and Receptors G Food Environmental Clinical and Analytical Applications and H Biotechnology and Marketing In short all aspects of the area are presented in a compact format which will appeal to undergraduates technicians and professional scientists in the food clinical environmental pharmaceutical and industrial fields

*peter und der wolf bilderbuch minimax von prokof* - Aug 11 2022

web peter und der wolf bilderbuch minimax von prokof buch zustand sehr gut so macht sparen spaß bis zu 70 ggü neupreis

**peter und der wolf bilderbuch minimax amazon de** - Aug 23 2023

web peter und der wolf bilderbuch minimax prokofjew sergej haacken frans remané lieselotte isbn 9783407760487

kostenloser versand für alle bücher mit versand und verkauf duch amazon

*peter und der wolf sergej prokofjew beltz* - Jul 22 2023

web aug 6 2003 peter warnt den kleinen vogel der rettet sich auf den baum großvater kommt aus dem haus und schimpft weil peter die gartenpforte offen gelassen hat das ist gefährlich wenn nun der wolf aus dem wald kommt was dann er nimmt peter mit zurück in den garten und macht die gartenpforte fest zu da kommt der wolf

**peter und der wolf bilderbuch minimax 9 märz 2015** - Feb 17 2023

web peter und der wolf bilderbuch minimax 9 märz 2015 isbn kostenloser versand für alle bücher mit versand und verkauf duch amazon

**peter und der wolf bilderbuch minimax von prokofjew** - Nov 14 2022

web entdecken sie peter und der wolf bilderbuch minimax von prokofjew buch zustand gut in der großen auswahl bei ebay kostenlose lieferung für viele artikel

**download peter und der wolf bilderbuch minimax pdf** - Jun 09 2022

web easy you simply klick peter und der wolf bilderbuch minimax directory obtain connect on this post and you shall moved to the free enlistment source after the free registration you will be able to download the book in 4 format pdf formatted 8 5 x all pages epub reformatted especially for book readers mobi for kindle which was converted from the

*herunterladen pdf peter und der wolf bilderbuch minimax* - Sep 12 2022

web feb 21 2023 peter warnt den kleinen vogel großvater kommt aus dem haus und schimpft weil peter die gartenpforte offen gelassen hat das ist gefährlich wenn nun der wolf aus dem wald kommt was dann als der wolf tatsächlich kommt hat peter keine angst mit einem starken seil klettert er auf den baum und fängt mit hilfe des kleinen

prokofjew sergej peter und der wolf dein buchladen de 6 50 - Apr 19 2023

web bilderbuch rechnungskauf möglich ausgesuchte exemplare an büchern buchserien jetzt stöbern prokofjew sergej peter und der wolf dein buchladen de 6 50 shoppauskunft

**amazon de kundenrezensionen peter und der wolf bilderbuch minimax** - Jan 16 2023

web finde hilfreiche kundenrezensionen und rezensionsbewertungen für peter und der wolf bilderbuch minimax auf amazon de lese ehrliche und unvoreingenommene rezensionen von unseren nutzern

**peter und der wolf bilderbuch minimax von prokofjew sergej** - Jun 21 2023

web peter und der wolf bilderbuch minimax von prokofjew sergej 2013 taschenbuch isbn kostenloser versand für alle bücher mit versand und verkauf durch amazon sergej 2013 taschenbuch amazon de bücher

**peter und der wolf pdf susi fux** - Apr 07 2022

web peter und der wolf pdf author susi created date 9 28 2014 7 35 00 pm keywords

**peter und der wolf bilderbuch minimax pdf** - Feb 05 2022

web 4 peter und der wolf bilderbuch minimax 2019 09 18 inimitable musical score and a reading of the complete story by actress claire bloom hans fallada andersen press usa a lamb for my supper will taste mighty fine thought a wily old wolf by the name of lou pine poor lou in this fractured

peter und der wolf zum ausmalen schule familie - Jan 04 2022

web mit welcher schlinge kann peter aus dem märchen peter und der wolf den wolf am schwanz fangen drucken sie für ihr kind die kostenlose märchen malvorlage aus die schönsten märchen zahlenbilder finden sie in unserem download paket newsletter empfangen haben zugriff auf unsere vielen kostenlosen download pakete

**peter und der wolf von marko simsa hörbuch thalia** - Jul 10 2022

web beschreibung peter und der wolf erzählt die geschichte von peter der die gartentür offen lässt von der ente die sich darüber freut und auf die große wiese watschelt vom wolf der die ente frisst vom kleinen geschickten vogel mit

**peter und der wolf bilderbuch minimax** - Mar 06 2022

web eines tages lief der kleine carlo direkt einem hungrigen wolf vor die schnauze natürlich wollte der wolf den kleinen carlo fressen doch weil der wolf nicht der intelligenteste seiner art war schaffte carlo es mit einer kleinen notlüge ihn auszutricksen und glücklicherweise hatte er etwas dabei das dem wolf viel viel besser

**peter und der wolf bilderbuch minimax bücher gebraucht** - Mar 18 2023



web der anfang der geschichte um sieben schwestern und deren einzigartiger vergangenheit atlantis ist der name des herrschaftlichen anwesens am genfer see in dem maia d aplièse und ihre schwestern aufgewachsen sind sie alle wurden von ihrem geliebten vater adoptiert als sie noch sehr klein waren und kennen ihre wahren wurzeln nicht

**peter und der wolf bilderbuch minimax 9783407760487** - Oct 13 2022

web 2007 taschenbuch 64 seiten beltz 2007 sergej prokofjew tb 0j cjnb wjn9 prokofjew sergej

[peter und der wolf von sergej o prokofieff buch 978 3 407](#) - May 20 2023

web als der wolf tatsächlich kommt hat peter keine angst mit einem starken seil klettert er auf den baum und fängt mit hilfe des kleinen vogels den wolf weitere bände von minimax zur artikeldetailseite von der wechstabenverbuchslers des autors mathias jeschke

**peter und der wolf bilderbuch minimax download only** - May 08 2022

web peter und der wolf bilderbuch minimax 3 3 on the flock but it wasn t the sheep that were in for a shock with a stunningly cunning plan lou pine finds a disguise

**peter und der wolf bilderbuch minimax medimops** - Dec 15 2022

web peter und der wolf bilderbuch minimax von sergej prokofjew taschenbuch bei medimops de bestellen gebraucht günstig kaufen sparen gratis versand bei medimops

**kunststoffe eigenschaften und anwendungen** - Jun 13 2023

web 7 konstruktionsmöglichkeiten mit einem vernachlässigten material ob als transluzente platten weit gespannte membranen luftgefülltes folienkissen oder in organisch

[domininghaus kunststoffe eigenschaften und anwend](#) - Jan 28 2022

**domininghaus kunststoffe eigenschaften und anwend pdf** - Jun 01 2022

web von den physikalischen und chemischen eigenschaften der kunststoffe der beschreibung ihrer synthese und compoundierung ihrem jeweiligen verhalten bei der

[domininghaus kunststoffe eigenschaften und anwend](#) - Oct 05 2022

web sep 6 2023 merely said the domininghaus kunststoffe eigenschaften und anwend is universally compatible with any devices to read kunststoffe hans domininghaus 2007

**domininghaus kunststoffe eigenschaften und** - Sep 16 2023

web oct 25 2004 kunststoffe eigenschaften und anwendungen hans domininghaus springer berlin heidelberg oct 25 2004 technology engineering 1633 pages von

[kunststoffe eigenschaften und anwendungen google books](#) - Jul 14 2023

web feb 26 2008 ein umfassenderes und vollständigeres nachschlagewerk zum thema kunststoffe ist kaum vorstellbar die synthese und compoundierung der kunststoffe

[domininghaus kunststoffe eigenschaften und](#) - Aug 15 2023

web jan 29 2013 in dem umfassenden nachschlagewerk behandeln die autoren neben synthese und compoundierung physikalischen und chemischen eigenschaften von

[domininghaus kunststoffe eigenschaften und anwend](#) - Mar 10 2023

web werkstoffanalytische betrachtung der eigenschaften von mittels neuartiger rtm fertigungsprozesse hergestellten glasfaserverstaerkten polymerverbunden

**domininghaus kunststoffe eigenschaften und anwend** - Apr 30 2022

web domininghaus gmbh die domininghaus gmbh wurde im jahre 1862 gegrundet und steht heute für professionelle elektrostatische kunststoffbeschichtung aufgrund unseres

[domininghaus kunststoffe eigenschaften und anwend](#) - Feb 09 2023

web 2 domininghaus kunststoffe eigenschaften und anwend 2019 10 31 domininghaus kunststoffe eigenschaften und anwend downloaded from portal dlc ui edu ng

*domininghaus kunststoffe eigenschaften und anwend pdf* - Feb 26 2022

[domininghaus gmbh professionelle elektrostatische](#) - Dec 27 2021

[domininghaus kunststoffe eigenschaften und anwend](#) - Jan 08 2023

web ein umfassenderes und vollständigeres nachschlagewerk zum thema kunststoffe ist kaum vorstellbar synthese compoundierung eigenschaften verarbeitung und

*domininghaus kunststoffe pdf ebook kaufen ebooks* - Sep 04 2022

web aufbau und eigenschaften kunststoffsorten anwendungen werkzeug und prozessentwicklung des roll to roll hochdurchsatzverfahrens zur kontinuierlichen

[domininghaus kunststoffe eigenschaften und](#) - Apr 11 2023

web von den physikalischen und chemischen eigenschaften der kunststoffe ihren jeweiligen verarbeitungsbedingungen für das ur und umformen bis hin zu einer vielzahl konkreter

**domininghauskunststoffeeigenschaftenundanwend 2022** - Dec 07 2022

web domininghaus kunststoffe eigenschaften und anwend downloaded from tpc redmatters com by guest ashley matias aufbau und eigenschaften

*domininghaus kunststoffe eigenschaften und anwend* - Jul 02 2022

web sep 3 2023 domininghaus kunststoffe eigenschaften und anwend fittingly simple chemie der werkstoffe horst briebl  
2014 07 22 in diesem lehrbuch werden sowohl

**produkte domininghaus gmbh** - Mar 30 2022

web download this domininghaus kunststoffe eigenschaften und anwend after getting deal so behind you require the ebook  
swiftly you can straight get it its fittingly no question

**domininghaus kunststoffe eigenschaften und anwend** - Aug 03 2022

web wir sind spezialisiert auf klein und großserien in allen standard und sonderfarben die vorteile einer  
kunststoffbeschichtung liegen in einer kratz und abriebfesten

domininghaus kunststoffe eigenschaften und anwend - Nov 25 2021

*kunststoffe eigenschaften und von domininghaus zvab* - Nov 06 2022

web kunststoffe eigenschaften und anwend downloaded from eagldemo2 eagltechnology com by guest patricia walker  
werkstoffkunde für die

*domininghaus kunststoffe eigenschaften und anwendungen* - May 12 2023

web domininghaus kunststoffe eigenschaften und anwend polymer based composites werkzeug und prozessentwicklung des  
roll to roll hochdurchsatzverfahrens zur

procesos de separación semantic scholar - Jun 03 2022

web procesos de separación inproceedings king1980procesosds title procesos de separaci o n author c judson king and jos e  
costa l o pez year 1980 c j king josé costa lópez published 1980 chemistry

procesos de separación sin coleccion king c judson - Jul 04 2022

web procesos de separación sin coleccion king c judson costa lópez josé amazon es libros

*procesos de separacion c judson king google books* - Sep 18 2023

web procesos de separacion author c judson king publisher repla 1988 isbn 9686165061

**amazon com procesos de separación spanish edition ebook king** - Oct 07 2022

web procesos de separación spanish edition imprimir réplica edición kindle edición en español de c judson king author josé  
costa lópez traductor formato edición kindle 5 0

**separation processes second edition escholarship** - Jun 15 2023

web author s king c judson open access publications from the university of california

**procesos de separacion c judson king amazon com mx libros** - Jan 30 2022

web procesos de separacion pasta blanda por c judson king autor 5 0 2 calificaciones ver todos los formatos y ediciones  
kindle 1 053 14 leer con nuestra aplicación gratuita pasta blanda desde 2 483 16 2 usado de 2 483 16 3 nuevo de 2 591 00  
rare book idioma español editorial

[pdf procesos de separación de c judson king perlego](#) - Apr 01 2022

web información del libro este libro debe entenderse como un texto de nivel universitario para cursos de ingeniería química sería aconsejable su uso en cualquiera de los distintos planes de estudio en cursos tales como procesos de separación operaciones de transferencia de materia operaciones unitarias destilación etc un objetivo

**separation processes second edition c judson king google** - May 14 2023

web dec 18 2013 courier corporation dec 18 2013 technology engineering 880 pages suitable for undergraduate and graduate level chemical engineering courses this classic text is intended for classes focusing on separation processes mass transfer operations unit operations and distillations

**pdf procesos de separación by c judson king perlego** - Feb 28 2022

web about this book este libro debe entenderse como un texto de nivel universitario para cursos de ingeniería química sería aconsejable su uso en cualquiera de los distintos planes de estudio en cursos tales como procesos de separación operaciones de transferencia de materia operaciones unitarias destilación etc un objetivo importante

[procesos de separación spanish edition ebook king c judson](#) - Nov 08 2022

web procesos de separación spanish edition ebook king c judson costa lópez José amazon com au kindle store

**procesos de separación king c j king c judson** - Dec 29 2021

web procesos de separación 978 84 291 7301 7 9788429173017 este libro debe entenderse como un texto de nivel universitario para cursos de ingeniería química sería aconsejable su uso en cualquiera de los distintos planes de estudio en cursos tales como procesos de separación operaciones de transferencia de materia operaciones

**procesos de separación ebook king c judson costa lópez** - Nov 27 2021

web seleccionar el departamento en el que deseas buscar

**procesos de separación ebook king c judson costa lópez** - Dec 09 2022

web procesos de separación imprimir réplica edición kindle procesos de separación imprimir réplica edición kindle por c judson king autor José costa lópez traductor formato edición kindle 5 0 5 0 de 5 estrellas 2 calificaciones ver

[procesos de separación by c judson king books on google play](#) - Apr 13 2023

web procesos de separación ebook written by c judson king read this book using google play books app on your pc android ios devices download for offline reading highlight bookmark or

**separation processes judson king pdf university of scribd** - Jul 16 2023

web separation processes judson king free ebook download as pdf file pdf text file txt or read book online for free 17 capitulo 10 proyectos de inversion nassir sapag 2edic 17 capitulo 10 proyectos de inversion nassir sapag 2edic gaston quisqueya marcha trombon

**procesos de separación king c judson costa lópez José** - Sep 06 2022

web jan 1 1979 procesos de separación king c judson costa lópez José on amazon com free shipping on qualifying offers procesos de separación

**procesos de separación c judson king google books** - Oct 19 2023

web procesos de separación c judson king reverté 1980 science 914 pages este libro debe

*procesos de separación king judson pdf scribd* - Aug 17 2023

web clásica mente los diferentes procesos de separación tales como destilación absorción extracción intercambio iónico etc se han tratado individual y secuencialmente

**amazon com procesos de separación spanish edition ebook king** - Jan 10 2023

web feb 5 2021 buy procesos de separación spanish edition read kindle store reviews amazon com

**procesos de separación by king c judson costa lópez José** - Aug 05 2022

web buy procesos de separación by king c judson costa lópez José online on amazon ae at best prices fast and free shipping free returns cash on delivery available on eligible purchase

**procesos de separación spanish edition by c judson king** - May 02 2022

web este libro debe entenderse como un texto de nivel universitario para cursos de ingeniería química procesos de separación spanish edition by c judson king goodreads home

amazon com procesos de separación 9788429173017 king c judson - Feb 11 2023

web amazon com procesos de separación 9788429173017 king c judson costa lópez José libros libros ingeniería y transportes ingeniería nuevo us 93 59 elige tu dirección políticas de devolución de amazon com aplican a este artículo solo queda n 1 en stock hay más unidades en camino

procesos de separación king c judson costa lópez José - Mar 12 2023

web procesos de separación king c judson costa lópez José amazon com au books

Olympus Stylus Tough 8010 Instruction Manual: Bestsellers in 2023 The year 2023 has witnessed a remarkable surge in literary brilliance, with numerous captivating novels captivating the hearts of readers worldwide. Lets delve into the realm of popular books, exploring the fascinating narratives that have captivated audiences this year. Olympus Stylus Tough 8010 Instruction Manual : Colleen Hoover's "It Ends with Us" This poignant tale of love, loss, and resilience has captivated readers with its raw and emotional exploration of domestic abuse. Hoover skillfully weaves a story of hope and healing, reminding us that even in the darkest of times, the human spirit can prevail. Olympus Stylus Tough 8010 Instruction Manual : Taylor Jenkins Reid's "The Seven Husbands of Evelyn Hugo" This intriguing historical fiction novel unravels the life of Evelyn Hugo, a Hollywood icon who defies expectations and societal norms to pursue her dreams. Reid's absorbing storytelling and compelling characters transport readers to a bygone era, immersing them in a world of glamour, ambition, and self-discovery. Discover the Magic : Delia Owens' "Where the Crawdads Sing" This captivating coming-of-age story follows Kya Clark, a young woman who grows up alone in the marshes of North Carolina. Owens spins a tale of resilience, survival, and the transformative power of nature, captivating readers with its evocative prose and mesmerizing setting. These popular novels represent just a fraction of the literary treasures that have emerged in 2023. Whether you seek tales of romance, adventure, or personal growth, the world of literature offers an abundance of captivating stories waiting to be discovered. The novel begins with Richard Papen, a bright but troubled young man, arriving at Hampden College. Richard is immediately drawn to the group of students who call themselves the Classics Club. The club is led by Henry Winter, a brilliant and charismatic young man. Henry is obsessed with Greek mythology and philosophy, and he quickly draws Richard into his world. The other members of the Classics Club are equally as fascinating. Bunny Corcoran is a wealthy and spoiled young man who is always looking for a good time. Charles Tavis is a quiet and reserved young man who is deeply in love with Henry. Camilla Macaulay is a beautiful and intelligent young woman who is drawn to the power and danger of the Classics Club. The students are all deeply in love with Morrow, and they are willing to do anything to please him. Morrow is a complex and mysterious figure, and he seems to be manipulating the students for his own purposes. As the students become more involved with Morrow, they begin to commit increasingly dangerous acts. The Secret History is a masterful and suspenseful novel that will keep you guessing until the very end. The novel is a cautionary tale about the dangers of obsession and the power of evil.

[https://offsite.creighton.edu/files/virtual-library/Documents/graham\\_hancock\\_son.pdf](https://offsite.creighton.edu/files/virtual-library/Documents/graham_hancock_son.pdf)

[https://offsite.creighton.edu/files/virtual-library/Documents/great\\_god\\_great\\_vision\\_great\\_accomplishments\\_lyrics.pdf](https://offsite.creighton.edu/files/virtual-library/Documents/great_god_great_vision_great_accomplishments_lyrics.pdf)

[https://offsite.creighton.edu/files/virtual-library/Documents/gross\\_anatomy\\_of\\_the\\_brain\\_and\\_cranial\\_nerves.pdf](https://offsite.creighton.edu/files/virtual-library/Documents/gross_anatomy_of_the_brain_and_cranial_nerves.pdf)

## **Table of Contents Olympus Stylus Tough 8010 Instruction Manual**

1. Understanding the eBook Olympus Stylus Tough 8010 Instruction Manual
  - The Rise of Digital Reading Olympus Stylus Tough 8010 Instruction Manual
  - Advantages of eBooks Over Traditional Books
2. Identifying Olympus Stylus Tough 8010 Instruction Manual
  - Exploring Different Genres
  - Considering Fiction vs. Non-Fiction
  - Determining Your Reading Goals
3. Choosing the Right eBook Platform
  - Popular eBook Platforms
  - Features to Look for in an Olympus Stylus Tough 8010 Instruction Manual
  - User-Friendly Interface
4. Exploring eBook Recommendations from Olympus Stylus Tough 8010 Instruction Manual
  - Personalized Recommendations
  - Olympus Stylus Tough 8010 Instruction Manual User Reviews and Ratings
  - Olympus Stylus Tough 8010 Instruction Manual and Bestseller Lists
5. Accessing Olympus Stylus Tough 8010 Instruction Manual Free and Paid eBooks
  - Olympus Stylus Tough 8010 Instruction Manual Public Domain eBooks
  - Olympus Stylus Tough 8010 Instruction Manual eBook Subscription Services
  - Olympus Stylus Tough 8010 Instruction Manual Budget-Friendly Options
6. Navigating Olympus Stylus Tough 8010 Instruction Manual eBook Formats
  - ePub, PDF, MOBI, and More
  - Olympus Stylus Tough 8010 Instruction Manual Compatibility with Devices
  - Olympus Stylus Tough 8010 Instruction Manual Enhanced eBook Features
7. Enhancing Your Reading Experience

- Adjustable Fonts and Text Sizes of Olympus Stylus Tough 8010 Instruction Manual
- Highlighting and Note-Taking Olympus Stylus Tough 8010 Instruction Manual
- Interactive Elements Olympus Stylus Tough 8010 Instruction Manual
- 8. Staying Engaged with Olympus Stylus Tough 8010 Instruction Manual
  - Joining Online Reading Communities
  - Participating in Virtual Book Clubs
  - Following Authors and Publishers Olympus Stylus Tough 8010 Instruction Manual
- 9. Balancing eBooks and Physical Books Olympus Stylus Tough 8010 Instruction Manual
  - Benefits of a Digital Library
  - Creating a Diverse Reading Collection Olympus Stylus Tough 8010 Instruction Manual
- 10. Overcoming Reading Challenges
  - Dealing with Digital Eye Strain
  - Minimizing Distractions
  - Managing Screen Time
- 11. Cultivating a Reading Routine Olympus Stylus Tough 8010 Instruction Manual
  - Setting Reading Goals Olympus Stylus Tough 8010 Instruction Manual
  - Carving Out Dedicated Reading Time
- 12. Sourcing Reliable Information of Olympus Stylus Tough 8010 Instruction Manual
  - Fact-Checking eBook Content of Olympus Stylus Tough 8010 Instruction Manual
  - Distinguishing Credible Sources
- 13. Promoting Lifelong Learning
  - Utilizing eBooks for Skill Development
  - Exploring Educational eBooks
- 14. Embracing eBook Trends
  - Integration of Multimedia Elements
  - Interactive and Gamified eBooks

### **Olympus Stylus Tough 8010 Instruction Manual Introduction**

In this digital age, the convenience of accessing information at our fingertips has become a necessity. Whether its research papers, eBooks, or user manuals, PDF files have become the preferred format for sharing and reading documents. However,



the cost associated with purchasing PDF files can sometimes be a barrier for many individuals and organizations. Thankfully, there are numerous websites and platforms that allow users to download free PDF files legally. In this article, we will explore some of the best platforms to download free PDFs. One of the most popular platforms to download free PDF files is Project Gutenberg. This online library offers over 60,000 free eBooks that are in the public domain. From classic literature to historical documents, Project Gutenberg provides a wide range of PDF files that can be downloaded and enjoyed on various devices. The website is user-friendly and allows users to search for specific titles or browse through different categories. Another reliable platform for downloading Olympus Stylus Tough 8010 Instruction Manual free PDF files is Open Library. With its vast collection of over 1 million eBooks, Open Library has something for every reader. The website offers a seamless experience by providing options to borrow or download PDF files. Users simply need to create a free account to access this treasure trove of knowledge. Open Library also allows users to contribute by uploading and sharing their own PDF files, making it a collaborative platform for book enthusiasts. For those interested in academic resources, there are websites dedicated to providing free PDFs of research papers and scientific articles. One such website is Academia.edu, which allows researchers and scholars to share their work with a global audience. Users can download PDF files of research papers, theses, and dissertations covering a wide range of subjects. Academia.edu also provides a platform for discussions and networking within the academic community. When it comes to downloading Olympus Stylus Tough 8010 Instruction Manual free PDF files of magazines, brochures, and catalogs, Issuu is a popular choice. This digital publishing platform hosts a vast collection of publications from around the world. Users can search for specific titles or explore various categories and genres. Issuu offers a seamless reading experience with its user-friendly interface and allows users to download PDF files for offline reading. Apart from dedicated platforms, search engines also play a crucial role in finding free PDF files. Google, for instance, has an advanced search feature that allows users to filter results by file type. By specifying the file type as "PDF," users can find websites that offer free PDF downloads on a specific topic. While downloading Olympus Stylus Tough 8010 Instruction Manual free PDF files is convenient, it's important to note that copyright laws must be respected. Always ensure that the PDF files you download are legally available for free. Many authors and publishers voluntarily provide free PDF versions of their work, but it's essential to be cautious and verify the authenticity of the source before downloading Olympus Stylus Tough 8010 Instruction Manual. In conclusion, the internet offers numerous platforms and websites that allow users to download free PDF files legally. Whether it's classic literature, research papers, or magazines, there is something for everyone. The platforms mentioned in this article, such as Project Gutenberg, Open Library, Academia.edu, and Issuu, provide access to a vast collection of PDF files. However, users should always be cautious and verify the legality of the source before downloading Olympus Stylus Tough 8010 Instruction Manual any PDF files. With these platforms, the world of PDF downloads is just a click away.

## FAQs About Olympus Stylus Tough 8010 Instruction Manual Books

How do I know which eBook platform is the best for me? Finding the best eBook platform depends on your reading preferences and device compatibility. Research different platforms, read user reviews, and explore their features before making a choice. Are free eBooks of good quality? Yes, many reputable platforms offer high-quality free eBooks, including classics and public domain works. However, make sure to verify the source to ensure the eBook credibility. Can I read eBooks without an eReader? Absolutely! Most eBook platforms offer web-based readers or mobile apps that allow you to read eBooks on your computer, tablet, or smartphone. How do I avoid digital eye strain while reading eBooks? To prevent digital eye strain, take regular breaks, adjust the font size and background color, and ensure proper lighting while reading eBooks. What the advantage of interactive eBooks? Interactive eBooks incorporate multimedia elements, quizzes, and activities, enhancing the reader engagement and providing a more immersive learning experience. Olympus Stylus Tough 8010 Instruction Manual is one of the best book in our library for free trial. We provide copy of Olympus Stylus Tough 8010 Instruction Manual in digital format, so the resources that you find are reliable. There are also many Ebooks of related with Olympus Stylus Tough 8010 Instruction Manual. Where to download Olympus Stylus Tough 8010 Instruction Manual online for free? Are you looking for Olympus Stylus Tough 8010 Instruction Manual PDF? This is definitely going to save you time and cash in something you should think about.

## Find Olympus Stylus Tough 8010 Instruction Manual :

### **graham hancock son**

[great god great vision great accomplishments lyrics](#)

*gross anatomy of the brain and cranial nerves*

### **graduation photo book**

### **guitar tab times like these**

*greek army uniforms*

[hammered dulcimer how to train your dragon](#)

[goodnight sun daniel tiger](#)

*guts seven little words*

### **guitar scales and modes**

*gua meaning in shoes*

### **haitian malanga in english**

~~grand niece or great niece~~

**gramma got run over by a reindeer chords**

goodwill furniture pickup denver

**Olympus Stylus Tough 8010 Instruction Manual :**