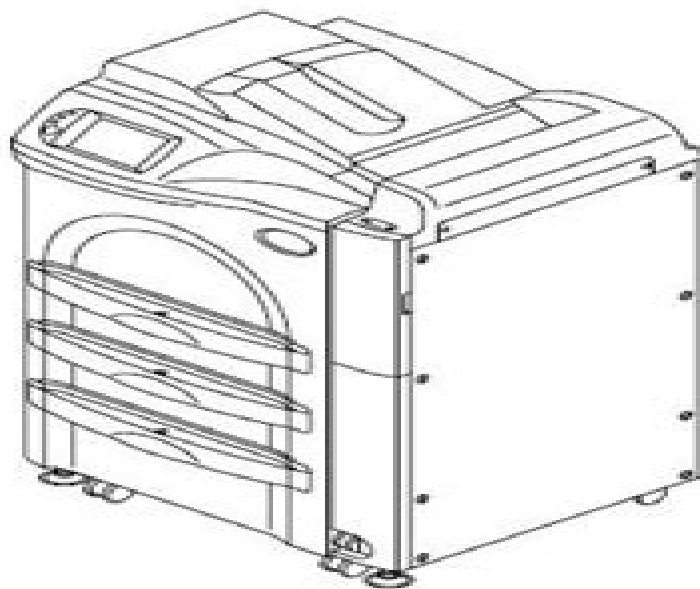


# FUJIFILM

FUJI MEDICAL DRY LASER IMAGER

## DRYPIX 7000

### SERVICE MANUAL



Document No. 006-259-08  
First Edition Oct. 15, 2002  
Revised Edition May 15, 2007

**FUJIFILM Corporation**  
Printed in Japan

# **Fuji Drypix 7000 Service Manual**

**Gary T. Barnes, G. Donald Frey**



# Fuji Drypix 7000 Service Manual

**Screen Film Mammography** Gary T. Barnes,G. Donald Frey,1991 Provides guidelines for obtaining high quality mammographic images while exposing patients to reasonable amounts of radiation Appropriate physics measurements responsibilities and proper as well as time efficient measurement techniques are discussed Tray, desk, steel United States. General Services Administration,1975

**Learning with Information Systems** Simon Bell,2013-02-01 In Learning with Information Systems the author takes the developing world as the context and through a series of case studies develops a commonly used systems analysis methodology He demonstrates how this methodology can evolve and adapt as new ideas become prominent Issues of sustainability of information systems participation in systems design and user ownership of systems are all examined This book does not attempt to be prescriptive for all contexts nor does it focus on any particular technology It addresses the essential questions and promises practical approaches which will help in the avoidance of the worst forms of disaster associated with the planning of information systems for developing countries

*Sensors and Transducers* Ian Sinclair,2000-12-05 In this book Ian Sinclair provides the practical knowhow required by technician engineers systems designers and students The focus is firmly on understanding the technologies and their different applications not a mathematical approach The result is a highly readable text which provides a unique introduction to the selection and application of sensors transducers and switches and a grounding in the practicalities of designing with these devices The devices covered encompass heat light and motion environmental sensing sensing in industrial control and signal carrying and non signal switches Get up to speed in this key topic through this leading practical guide Understand the range of technologies and applications before specifying Gain a working knowledge with a minimum of maths

*Electronics For Dummies* Cathleen Shamieh,Gordon McComb,2011-01-04 Electronics is fascinating want to make something of it This book shows you how You can make all sorts of things once you understand what electronics is and how it works This book helps you out with that part explaining the whole thing in plain English Learn how electricity functions how to harness it and put it to work what tools you need to build circuits what you can make with them and how to do it safely Mystery solved understand what makes your iPod remote control and computer work Essential stuff outfit your electronics lab with all the necessary tools including some that will surprise you Schematic road maps learn to read schematics and understand how they help your project get where it s going Symbols of power recognize all the identifiers for power sources grounds and components Tools of the trade discover how to use a multimeter logic probe oscilloscope and solderless breadboard Break it down get to know the ins and outs of components such as resistors capacitors diodes and transistors Getting it together find out how integrated circuits make all the rest possible and learn to work with them Analyze it understand the rules that govern current and voltage and learn how to apply them Open the book and find The difference between electronics and

electricity A list of essential tools Cool projects you can build quickly Great places to find parts Important safety tips What a sine wave is Interesting stuff about speakers buzzers and DC motors Ohm s Law and how to use it

*Material Politics* Andrew Barry,2013-09-23 In *Material Politics* author Andrew Barry reveals that as we are beginning to attend to the importance of materials in political life materials has become increasingly bound up with the production of information about their performance origins and impact Presents an original theoretical approach to political geography by revealing the paradoxical relationship between materials and politics Explores how political disputes have come to revolve not around objects in isolation but objects that are entangled in ever growing quantities of information about their performance origins and impact Studies the example of the Baku Tbilisi Ceyhan oil pipeline a fascinating experiment in transparency and corporate social responsibility and its wide spread negative political impact Capitalizes on the growing interdisciplinary interest especially within geography and social theory about the critical role of material artefacts in political life

**The TAB Book of Arduino Projects: 36 Things to Make with Shields and Proto Shields** Simon Monk,2014-11-05 The ultimate collection of DIY Arduino projects In this easy to follow book electronics guru Simon Monk shows you how to create a wide variety of fun and functional gadgets with the Arduino Uno and Leonardo boards Filled with step by step instructions and detailed illustrations The TAB Book of Arduino Projects 36 Things to Make with Shields and Proto Shields provides a cost estimate difficulty level and list of required components for each project You ll learn how to design custom circuits with Proto Shields and solder parts to the prototyping area to build professional quality devices Catapult your Arduino skills to the next level with this hands on guide Build these and many more innovative Arduino creations Persistence of vision POV display High power LED controller Color recognizer RFID door lock Fake dog Person counter Laser alarm Theramin like instrument FM radio receiver Email notifier Network temperature and humidity sensor Seven segment LED clock Larson scanner Conway s game of life Singing plant Ultrasonic rangefinder Temperature and light logger Autoranging capacitance meter Geiger counter

**Electrical Codes, Standards, Recommended Practices and Regulations** Robert J. Alonzo,2009-12-21 Electrical codes standards recommended practices and regulations can be complex subjects yet are essential in both electrical design and life safety issues This book demystifies their usage It is a handbook of codes standards recommended practices and regulations in the United States involving electrical safety and design Many engineers and electrical safety professionals may not be aware of all of those documents and their applicability This book identifies those documents by category allowing the ready and easy access to the relevant requirements Because these documents may be updated on a regular basis this book was written so that its information is not reliant on the latest edition or release of those codes standards recommended practices or regulations No single document on the market today attempts to not only list the majority of relevant electrical design and safety codes standards recommended practices and regulations but also explain their use and updating cycles This book one stop information center for electrical engineers electrical safety professionals

and designers does Covers the codes standards recommended practices and regulations in the United States involving electrical safety and design providing a comprehensive reference for engineers and electrical safety professionals Documents are identified by category enabling easy access to the relevant requirements Not version specific information is not reliant on the latest edition or release of the codes standards recommended practices or regulations

*Amphibian Medicine and Captive Husbandry* Kevin M. Wright, Brent R. Whitaker, 2001-01-01 This work is designed to introduce veterinary practitioners to the diagnosis and treatment of disease in captive amphibians It covers various aspects of amphibian captive husbandry and propagation while providing the reader with a foundation on which to evaluate a given husbandry routine The diagnosis of disease in amphibians by the application of basic clinicopathologic techniques is discussed and infectious metabolic nutritional neoplastic and idiopathic disorders of amphibians are also covered

*Imaging for Oncology* Royal College of Radiologists (Great Britain). Faculty of Clinical Oncology. Board, 2004

**King of the Badgers** Philip Hensher, 2011-09-13 A Washington Post Notable Fiction Book for 2011 One of The Telegraph s Best Fiction Books 2011 Far from London s crime and pollution Hanmouth s wealthier residents live in picturesque heavily mortgaged cottages in the center of a town packed with artisanal cheese shops and antiques stores They re reminded of the town s less desirable outskirts with their grim flimsy housing stock and chain stores only when their neighbors have the presumption to claim also to live in Hanmouth When an eight year old girl from the outer area goes missing England s eyes suddenly turn toward the sleepy town with a curiosity as piercing and unblinking as the closed circuit security cameras that line Hanmouth s idyllic streets But somehow these cameras have missed the abduction of the girl whose name is China Is her blank eyed hairdresser mother hiding her as part of a moneymaking hoax Has she been abducted by one of the lurking perverts the townspeople imagine the cameras are protecting them from Perhaps more cameras are needed As it turns out more than one resident of Hanmouth has a secret hidden behind closed doors There s Sam and Harry the cheesemonger and aristocrat who lead the county s gay orgies The quiet husband of postcolonial theorist Miranda everyone agrees she s marvelous keeps a male lover while their daughter disembowels dolls she s named Child Pornography and Slightly Jewish Moral crusader John Calvin s Neighborhood Watch has an unusual reason for holding its meetings in secret And of course somewhere out there is the house where little China is hidden With the dark hilarity and unflinching honesty of a modern day Middlemarch *King of the Badgers* demolishes the already fragile privacy of Hanmouth s inhabitants These characters exquisitely drawn and rawly human proclaim Philip Hensher s status as an extraordinary chronicler of the domestic and one of the world s most dazzling and ambitious novelists

*September Moon* Candice Proctor, 2020-11-16 Alternately poignant uplifting and laugh out loud funny this is an enchanting tale of love self forgiveness and the joyous discovery that it s never too late to become what you were meant to be Stranded in Adelaide South Australia after the death of her former employer Englishwoman Amanda Davenport is compelled by her rapidly dwindling resources to accept a position as governess on a sheep station in the wilds

of the Australian outback Frightened by the raw desolation she discovers there Amanda is desperate to earn her passage home to England Yet against her will she finds herself irresistibly drawn to both the strange haunting land and to the easy smile and rugged sensuality of the down to earth man who has made it his home Struggling to bring up three irrepressible motherless children on an isolated station plagued by all the hardships and dangers of the Flinders Ranges in the 1860s Patrick O Reilly thinks the last thing he needs in his life is a prim and proper English gentlewoman But it isn't long before O Reilly begins to suspect that Miss Davenport is not exactly what she seems Rich with the memorable characters and flawless sense of time and place for which Candice Proctor is acclaimed SEPTEMBER MOON is a heartwarming story of resilience and passion set against the harshly beautiful and untamed landscape of the Australian outback a consummate storyteller Publishers Weekly one of the best romance writers in the business today The Literary Times From the original 1999 Random House edition In this her third novel the multitalented author of NIGHT IN EDEN returns to the glorious setting of nineteenth century Australia to the ancient primal vistas of the outback to a land as untamed as a man's soul Patrick O Reilly loves life in the wilderness All he needs is his land his work and the company of the children he adores The last thing he wants is the prim and proper Englishwoman who arrives to care for his unruly children Amanda Davenport seems unprepared for the harshness of the place O Reilly calls home and yet he finds himself drawn to this proud woman and the fire he knows exists beneath her refined exterior Accepting a job as governess is the only way Amanda can earn passage back to her beloved England and away from this country she hates rugged uncivilized intoxicating like Patrick O Reilly himself Despite her fears Amanda gradually awakens to the shimmering heat of this wild primitive land to the children she can't help but love and to this magnificent man whose raw sensuality dares to expose her own undeniable passion

*Electronic Gadgets for the Evil Genius* Robert Iannini, 2004-03-29 Everything the hobbyist needs to build more than 21 inexpensive evil genius electronic devices Each chapter contains a detailed list of materials sources for obtaining parts schematics documentation and instructions for assembly Projects include an ultrasonic microphone body heat detector lightning bolt generator infrared viewer and a Star Wars light saber

*Avian Medicine* Thomas N. Tully, Martin P. C. Lawton, G. M. Dorrestein, 2000 At last a book on avian medicine aimed at the general veterinary practitioner This multi author text combines best practice tips and different techniques from avian experts worldwide providing quick access to crucial information for the non specialist Here is a complete information source on the basics of avian medicine and surgery that should be required reading for every veterinary practitioner

Laboratory Medicine Alan M. Fudge, 2000 Here's the first reference devoted exclusively to laboratory testing for avian and exotic animals 31 leading experts thoroughly describe how to select perform and interpret diagnostic tests for pet birds common reptiles rabbits and ferrets They also discuss pathophysiology where appropriate to help readers understand what various test results mean Offers separate sections on avian mammal and reptile species each of which is organized by testing discipline and or organ system for ease of reference

Discusses effective techniques for sample collection processing and dealing with artifacts Presents the most extensive collection of laboratory reference ranges for avian and exotic animals ever published Includes photomicrographs of reptile protozoa unavailable in other sources Features tables that provide quick summaries of important diagnostic information Provides an appendix of case histories that illustrate test selection interpretation and clinical implications **Solar & 12 Volt Power for Beginners** George Eccleston,2017-08-14 Know nothing about 12 volt power solar panels Then this is the right book for you Learn how to power laptops TV s fans power tools DVD s music mobile phones and so much more straight from a power supply that you built From complete beginner knowing nothing to seasoned off grid expert in a couple of days if not sooner Learning the basics of providing your own power for your boat shed caravan mobile home etc has never been made easier for you to understand and master Simple easy explanations with no technical jargon and masses of diagrams photographs and explanations Making your learning experience an easier quicker and more pleasant experience for you Written from the complete beginner s point of view this book will guide you through everything that you need to know in order to realise your off grid dreams today Only including the essential things that you need to know and throwing the technical gibberish that confuses most beginner s makes this book a must for newbie s the confused Look no further your off grid knowledge is contained within this book enjoy the experience of learning and living your dream Get the book live the dream **The Pathology of Laboratory Animals** William Eugene Ribelin,John R. McCoy,1965 Digital Transformation Thomas M. Siebel,2019-07-09 The legendary Silicon Valley entrepreneur examines how both business and government organizations can harness the power of disruptive technologies Tom Siebel the billionaire technologist and founder of Siebel Systems discusses how four technologies elastic cloud computing big data artificial intelligence and the internet of things are fundamentally changing how business and government will operate in the 21st century While this profound and fast moving transformation can appear daunting to some Siebel shows how organizations can not only survive but thrive in the new digital landscape In this authoritative yet accessible book Siebel guides readers through the technologies driving digital transformation and demonstrates how they can strategically exploit their powerful capabilities He shows how leading enterprises such as Enel 3M Royal Dutch Shell the U S Department of Defense and others are applying AI and IoT with stunning results **Safety of Power Transformers, Power Supply Units and Similar** British Standards Institution,2001

pensamentos de felicidade pensador - Apr 28 2022

web 11 pensamentos de mario sergio cortella para conhecer este filósofo brasileiro 27 frases e pensamentos emocionantes de cora coralina e 9 atribuídos a ela 84 frases de felicidade para fotos que vão iluminar as suas imagens

**11 favole di felicità imparare a pensare positivamente google** - Jul 12 2023

web apr 22 2020 un libro di favole buffe per insegnare ai bambini ma non solo come riconoscere e modificare quei

comportamenti e quei pensieri negativi che ostacolano il benessere personale le 11 favole

11 favole di felicità imparare a pensare positivamente - May 10 2023

web description 11 favole di felicità imparare a pensare positivamente aux éditions edizioni centro studi erickson un libro di favole buffe per insegnare ai bambini ma non solo come riconoscere e modificare quei comportamenti e quei pensieri negativi che ostacolano il bene

11 favole di felicità imparare a pensare positiva pdf pdf - Dec 05 2022

web 11 favole di felicità imparare a pensare positiva pdf pages 2 8 11 favole di felicità imparare a pensare positiva pdf upload mia n robertson 2 8 downloaded from black ortax org on september 19 2023 by mia n robertson rocio bonilla 2016 lucas was convinced he was born to fly

11 favole di felicità imparare a pensare positivamente - Feb 07 2023

web attraverso 11 favole buffe e numerosi personaggi divertenti in cui ci si potrà facilmente identificare questo libro insegna ai bambini ma non solo a loro come riconoscere e modificare quei comportamenti e quei pensieri negativi che ostacolano il frases famosas de felicidade pensador - May 30 2022

web cerca de 48269 frases famosas de felicidade ser feliz sem motivo é a mais autêntica forma de felicidade carlos drummond de andrade avesso das coisas aforismos editora record 2<sup>a</sup> edição 1990 não existe um caminho para a felicidade a felicidade é o caminho thich nhat hanh

**11 favole di felicità imparare a pensare positiva 2022 wrbb neu** - Oct 03 2022

web 11 favole di felicità imparare a pensare positiva 1 11 favole di felicità imparare a pensare positiva as recognized adventure as skillfully as experience virtually lesson amusement as well as contract can be gotten by just checking out a books 11 favole di felicità imparare a pensare positiva plus it is not directly done you could take on

**11 favole di felicità imparare a pensare positiva copy careers** - Aug 01 2022

web 11 favole di felicità imparare a pensare positiva 2 downloaded from careers schellgames com on 2022 12 18 by guest frank introduced himself as the dolls s postman and told the little girl that the doll was away on a trip but had sent a letter for her that will be delivered by himself the following day for three weeks frank focused

11 favole di felicità imparare a pensare positivamente google play - Jun 11 2023

web 11 favole di felicità imparare a pensare positivamente ebook written by rosalba corallo read this book using google play books app on your pc android ios devices download for offline reading highlight bookmark or take notes while you read 11 favole di felicità imparare a pensare positivamente

*11 favole di felicità la scatola dei giochi* - Mar 08 2023

web jul 16 2020 11 favole di felicità per imparare a pensare positivamente in questo libro troverete 11 favole che vogliono o



meglio provano ad insegnare ai più piccoli come imparare a gestire la propria emotività i cambiamenti i sentimenti e tanto altro succede a tutti di avere pensieri negativi e di provare emozioni che fanno stare male

[11 favole di felicità imparare a pensare positivamente](#) - Nov 04 2022

web vendita libri online e consigli di lettura account expand more il mio account

**11 favole di felicità ibs** - Sep 14 2023

web 11 favole di felicità imparare a pensare positivamente indice prefazione 7 introduzione 9 favola 1 arturo il camaleonte a strisce e a pois una favola per imparare a non dipendere dall approvazione degli altri 17 un finale positivo in cui il

**11 favole di felicità imparare a pensare positiva 2022 dna** - Apr 09 2023

web 11 favole di felicità imparare a pensare positiva lettere ecclesiastiche corriere dei piccoli supplemento illustrato del corriere della sera metodo di studiare e d insegnare cristianamente e sodamente le lettere umane in riguardo alle lettere divine e alle scritture dello studio de poeti del padre lodovico tommasini tomo 1

[11 favole di felicità imparare a pensare](#) - Jan 06 2023

web attraverso 11 favole buffe e numerosi personaggi divertenti in cui ci si potrà facilmente identificare questo libro insegna ai bambini ma non solo a loro come riconoscere e modificare quei comportamenti e quei pensieri negativi che ostacolano il

**frases sobre felicidade pensador** - Jun 30 2022

web cerca de 998 frases sobre felicidade ser feliz sem motivo é a mais autêntica forma de felicidade carlos drummond de andrade avesso das coisas aforismos editora record 2ª edição 1990 não existe um caminho para a

[11 favole di felicità imparare a pensare positivamente pinterest](#) - Sep 02 2022

web 15 feb 2017 scopri 11 favole di felicità imparare a pensare positivamente di corallo rosalba spedizione gratuita per i clienti prime e per ordini a partire da 29 spediti da amazon

[frases sobre a felicidade frases famosas com br](#) - Mar 28 2022

web no arquivo 1560 frases aforismos citações sobre a felicidade la trovi in tristeza saiba mais sobre esta frase não entendo a tristeza como ausência de felicidade acho que elas coexistem somos felizes e tristes felizes porque tentamos entender a nossa missão tristes porque assim tem de ser

[11 favole di felicità imparare a pensare positivamente](#) - Aug 13 2023

web descrizione attraverso 11 favole buffe e numerosi personaggi divertenti in cui ci si potrà facilmente identificare questo libro insegna ai bambini ma non solo a loro come riconoscere e modificare quei comportamenti e quei pensieri negativi che ostacolano il benessere personale

**11 favole di felicità libri erickson** - Oct 15 2023

web un libro di favole buffe per insegnare ai bambini ma non solo come riconoscere e modificare quei comportamenti e quei

pensieri negativi che ostacolano il benessere personale le 11 favole e i numerosi personaggi divertenti sono tutti ideati per strappare un sorriso per promuovere il piacere di

[11 favole di felicità imparare a pensare positivamente pdf](#) - Feb 24 2022

web scribd è il più grande sito di social reading e publishing al mondo

[فائل 3rd year exam suggestion 2014 bd arif jamal pdf](#) - Jun 13 2023

web feb 10 2023 [فائل 3rd year exam suggestion 2014 bd perception and the representative design of psychological experiments dutch contributions to the sixteenth international congress of slavists](#) fazil pass 3rd year question papers with suggestions and prev

**fazil 3rd year exam suggestion 2014 bd arif jamal pdf** - Apr 11 2023

web merely said the fazil 3rd year exam suggestion 2014 bd is universally compatible with any devices to read foodborne parasites ynes r ortega 2006 11 22 this book examines the two major parasite groups that

**fazil 3rd year examination 2014 sugge survey thecube** - Apr 30 2022

web 3rd year examination 2014 suggestion wow e4gle org fazil 3rd year exam suggestion 2014 bd pdf download copyright learn something new with our free pdf ebook downloads survey thecube gr 1 8

[fazil 3rd year exam suggestion 2014 bd pdf old talentsprint](#) - May 12 2023

web fazil 3rd year exam suggestion 2014 bd perception and the representative design of psychological experiments dutch contributions to the sixteenth international congress of slavists

**fazil 3rd year examination 2014 suggestion pdf copy** - Sep 04 2022

web jun 6 2023 2 review fazil 3rd year exam suggestion 2014 bd downloaded from writingcenter coas howard edu by guest fazil 3rd year examination 2014 suggestion pdf pdf

**fazil 3rd year examination 2014 suggestion cybersmash** - Aug 03 2022

web books with this one merely said the fazil 3rd year examination 2014 suggestion is universally compatible like any devices to read fazil 3rd year examination 2014 suggestion downloaded from cybersmash io by guest gross dudley mppsc prelims exam 2022 paper i general

**fazil 3rd year exam suggestion 2014 bd pdf old cosmc** - Jul 02 2022

web fazil 3rd year exam suggestion 2014 bd 3 3 this book discusses current evidence on human viruses and provides an extensive coverage of newly emerged viruses and current strategies for treatment offering a new perspective in view of the re emergence of ebola in african countries and dengue in india and pakistan the contents include chapters

**fazil 3rd year examination 2014 suggestion pdf download only** - Mar 10 2023

web jun 21 2023 1 fazil 3rd year examination 2014 suggestion pdf as recognized adventure as skillfully as experience just about lesson amusement as skillfully as concord can be gotten by just checking out a ebook

**fazil 3rd year exam suggestion 2014 bd free pdf books** - Oct 05 2022

web fazil 3rd year exam suggestion 2014 bd pdf books here is also available other sources of this manual metcaluser guide suggestion and auto suggestion yogebooks the great subconscious area of mind caused a new interest to attach to the use of suggestion for the majority of the

fazil 3rd year exam suggestion 2014 bd pdf byu11mainsu - Dec 07 2022

web reach not discover the publication fazil 3rd year exam suggestion 2014 bd pdf that you are looking for it will unquestionably squander the time however below later than you visit this web page it will be appropriately definitely simple to acquire as skillfully as download lead fazil 3rd year exam suggestion 2014 bd pdf

fazil 3rd year exam suggestion 2014 bd jetpack theaoi - Mar 30 2022

web fazil 3rd year exam suggestion 2014 bd fazil 3rd year exam suggestion 2014 bd by ryouma nakano fazil exam suggestion pdf download gisvet org fazil 3rd year exam suggestion 2014 bd islamic university kushtia fazil result 2014 fazil 3rd year examination 2014 suggestion vikare de fazil 3rd year exam suggestion 2014 bd

*tag fazil 3rd year result 2017 of 2014 15 session bd result* - Jan 28 2022

web january 4 2020 latest jobs result iu fazil final year result 2020 has published today at islamic university s official website iu ac bd fazil first year result will publish also at our website the examination of fazil pass 2019 third year of 2014 15 session was finished in december 2019

*fazil 3rd year exam suggestion 2014 bd volker kaul pdf* - Dec 27 2021

web all we pay for fazil 3rd year exam suggestion 2014 bd and numerous books collections from fictions to scientific research in any way accompanied by them is this fazil 3rd year exam suggestion 2014 bd that can be your partner innovative strategies in higher education for accelerated human resource development in south asia asian

*fazil 3rd year exam suggestion 2014 bd copy* - Jan 08 2023

web this fazil 3rd year exam suggestion 2014 bd but stop going on in harmful downloads rather than enjoying a fine book in imitation of a cup of coffee in the afternoon instead they juggled as soon as some harmful virus inside their computer

*fazil 3rd year exam suggestion 2014 b lp docseducation* - Jun 01 2022

web epub download fazil 3rd year exam suggestion 2014 bd fazil 3rd year exam suggestion 2014 bd chasing for fazil 3rd year exam suggestion 2014 bd epub download do you really need this book of fazil 3rd year exam suggestion 2014 bd pdf free download here fazil 3rd year exam suggestion 2014 bd pdfs documents

*fazil 3rd year exam suggestion 2014 bd abu l fazl pdf* - Aug 15 2023

web getting this info acquire the fazil 3rd year exam suggestion 2014 bd member that we offer here and check out the link you could buy guide fazil 3rd year exam suggestion 2014 bd or acquire it as soon as feasible you could quickly download this

fazil 3rd year exam suggestion 2014 bd after getting deal

*fazil 3rd year exam suggestion 2014 bd pdf pdf black ortax* - Jul 14 2023

web introduction fazil 3rd year exam suggestion 2014 bd pdf pdf the routledge international handbook of religious education derek davis 2013 02 01 how and what to teach about religion is controversial in every country the routledge international handbook of religious education is the first book to comprehensively address the range of

**fazil 3rd year examination 2014 suggestion pdf copy** - Nov 06 2022

web jun 6 2023 this fazil 3rd year examination 2014 suggestion pdf as one of the most energetic sellers here will unquestionably be in the course of the best options to review fazil 3rd year examination 2014 suggestion

*fazil 3rd year exam suggestion 2014 bd pdf download only* - Feb 26 2022

web fazil 3rd year exam suggestion 2014 bd pdf the enigmatic realm of fazil 3rd year exam suggestion 2014 bd pdf unleashing the language is inner magic in a fast paced digital era where connections and knowledge intertwine the enigmatic realm of language reveals its inherent magic

*fazil 3rd year alfatahbd* - Feb 09 2023

web ebtedaye class 5 eec dakhil class 6 dakhil class 7 dakhil class 8 jdc dakhil class 9 10 alim fazil 1st year fazil 2nd year fazil 3rd year

*des petits hauts official website des petits hauts suisse* - Aug 08 2023

web discover our trendy and colourful world of women s ready to wear and accessories pieces with noble materials that make you see life more beautiful des petits hauts standard delivery chf7 95 free customs clearance 15 days to change your mind

**soldes sur nos vêtements féminins des petits hauts** - Jul 27 2022

web petits hauts féminins et pulls en maille en soldes sur des petits hauts en attendant le retour des soldes découvrez nos nouveautés ainsi que nos pantalons nos hauts nos robes et jupes ou encore nos accessoires tels que nos broches

**des petits hauts vêtements féminins site officiel** - Oct 10 2023

web découvrez notre univers tendance et coloré de prêt à porter et accessoires pour femme des pièces aux matières nobles qui vous font voir la vie en plus jolie des petits hauts livraison offerte dès 150 d achats retours gratuits paiement en 2

**toute la collection des petits hauts** - May 05 2023

web découvrez tous nos produits chic femme des petits hauts original chic et élégantes offrez vous la pièce indispensable à votre dressing

**vestes manteaux chics des petits hauts** - Jan 01 2023

web découvrez notre sélection de vestes et manteaux chics femme des petits hauts intemporelle chic et élégante la pièce indispensable à votre dressing

[des petits hauts parisian fashion biscuit clothing ltd](#) - Aug 28 2022

web des petits hauts was founded back in 2000 right in the heart of the french capital this parisian brand started out creating little tops as the name suggests and quickly became famed for their beautifully designed sweaters jackets dresses and accessories in original timeless prints 32 products des petits hauts sevine mimo stripe blouse 145 00

**nouvelle collection automne hiver 2023 des petits hauts** - Jun 06 2023

web 220 découvrez nos nouveautés de la collection automne hiver 2023 des petits hauts intemporelle et élégante offrez vous la pièce indispensable à votre dressing

**des petits hauts despetitshauts instagram photos and videos** - Sep 28 2022

web 240k followers 577 following 2 233 posts see instagram photos and videos from des petits hauts despetitshauts

*des petits hauts la vie en plus jolie lilou* - Mar 23 2022

web des petits hauts c est une garde robe d essentiels avec des looks confortables des matières souples des coloris neutres des petits boutons en forme de marguerite qui rappellent l imprimé des broderies qui habillent les t shirts

**des petits hauts women fashion online shop** - Oct 30 2022

web sale shoes accessories des petits hauts bumbag mynoko shine 70 00 46 20 shoes accessories des petits hauts bumbag mynoko shine sku ivxint7846919 8439vrme categories bags clutch bags wallets shoes accessories sale shoes accessories des petits hauts scarf nadj gaia 38 00 26 60

*chaussures chaussettes des petits hauts* - Jun 25 2022

web découvrez notre sélection de chaussures et chaussettes des petits hauts intemporelle et élégante offrez vous la pièce indispensable à votre dressing category chaussures chaussettes 261856329926

**t shirts débardeurs chics femme des petits hauts** - Nov 30 2022

web découvrez notre sélection de t shirts chics et débardeurs chics femme des petits hauts originale chic et élégante la pièce indispensable à votre dressing depuis nos débuts nous imaginons chaque saison avec passion nos hauts tops t shirts blouses ou encore chemises aux détails subtils et dessins exclusifs

*des petits hauts women yoox* - Mar 03 2023

web discover a wide variety of des petits hauts items on yoox get inspired and shop the latest fashion trends online bright fresh shades unexpected textures and minimalist detailing the french brand des petits hauts brings a

[des petits hauts femme nouvelle collection place des](#) - May 25 2022

web collection des petits hauts pour femme livraison offerte dès 69 euros d achat retour offert

**whole collection des petits hauts** - Jul 07 2023

web 15 days to change your mind payment in 2 or 3 installments br free of charge from 250 100 secure payment discover all

our chic women s products from des petits hauts original chic and elegant offer yourself the essential piece to your wardrobe  
**vêtement femme des petits hauts la redoute** - Apr 23 2022

web découvrez notre offre vêtements des petits hauts sur la redoute faites votre choix parmi nos nombreuses références femme

des petits hauts vêtements féminins site officiel - Apr 04 2023

web découvrez notre univers tendance et coloré de prêt à porter et accessoires pour femme des pièces aux matières nobles qui vous font voir la vie en plus jolie des petits hauts livraison standard chf7 95 frais de douane offerts 15 jours pour changer d avis

**collection prêt à porter des petits hauts** - Feb 02 2023

web vos derniers coups de coeur découvrez notre collection prêt à porter femme des petits hauts intemporelle chic et élégante offrez vous la pièce indispensable à votre dressing

collections des petits hauts - Sep 09 2023

web discover our trendy and colourful world of women s ready to wear and accessories pieces with noble materials that make you see life more beautiful des petits hauts free delivery from 150 of purchases 15 days to change your mind payment in 2 or 3 installments from 250 of purchases free of charge

*des petits hauts la redoute* - Feb 19 2022

web des petits hauts mantel nestorine comete mit breitem kragen chf 470 00 neue kollektion premium des petits hauts weites midikleid evou allover druck chf 230 00 seite 1 von 1 entdecken sie auch sessun plissee rock hilfiger american vintage plisseerock lang liu jo ba sh

## Decoding **Fuji Drypix 7000 Service Manual**: Revealing the Captivating Potential of Verbal Expression

In a time characterized by interconnectedness and an insatiable thirst for knowledge, the captivating potential of verbal expression has emerged as a formidable force. Its power to evoke sentiments, stimulate introspection, and incite profound transformations is genuinely awe-inspiring. Within the pages of "**Fuji Drypix 7000 Service Manual**," a mesmerizing literary creation penned with a celebrated wordsmith, readers embark on an enlightening odyssey, unraveling the intricate significance of language and its enduring impact on our lives. In this appraisal, we shall explore the book's central themes, evaluate its distinctive writing style, and gauge its pervasive influence on the hearts and minds of its readership.

[https://offsite.creighton.edu/files/virtual-library/Documents/p144a\\_ford\\_focus.pdf](https://offsite.creighton.edu/files/virtual-library/Documents/p144a_ford_focus.pdf)

[https://offsite.creighton.edu/files/virtual-library/Documents/one\\_of\\_many\\_genres\\_for\\_yoko.pdf](https://offsite.creighton.edu/files/virtual-library/Documents/one_of_many_genres_for_yoko.pdf)

[https://offsite.creighton.edu/files/virtual-library/Documents/once\\_you\\_love\\_a\\_cowboy.pdf](https://offsite.creighton.edu/files/virtual-library/Documents/once_you_love_a_cowboy.pdf)

### **Table of Contents Fuji Drypix 7000 Service Manual**

1. Understanding the eBook Fuji Drypix 7000 Service Manual
  - The Rise of Digital Reading Fuji Drypix 7000 Service Manual
  - Advantages of eBooks Over Traditional Books
2. Identifying Fuji Drypix 7000 Service Manual
  - Exploring Different Genres
  - Considering Fiction vs. Non-Fiction
  - Determining Your Reading Goals
3. Choosing the Right eBook Platform
  - Popular eBook Platforms

- Features to Look for in an Fuji Drypix 7000 Service Manual
- User-Friendly Interface
- 4. Exploring eBook Recommendations from Fuji Drypix 7000 Service Manual
  - Personalized Recommendations
  - Fuji Drypix 7000 Service Manual User Reviews and Ratings
  - Fuji Drypix 7000 Service Manual and Bestseller Lists
- 5. Accessing Fuji Drypix 7000 Service Manual Free and Paid eBooks
  - Fuji Drypix 7000 Service Manual Public Domain eBooks
  - Fuji Drypix 7000 Service Manual eBook Subscription Services
  - Fuji Drypix 7000 Service Manual Budget-Friendly Options
- 6. Navigating Fuji Drypix 7000 Service Manual eBook Formats
  - ePub, PDF, MOBI, and More
  - Fuji Drypix 7000 Service Manual Compatibility with Devices
  - Fuji Drypix 7000 Service Manual Enhanced eBook Features
- 7. Enhancing Your Reading Experience
  - Adjustable Fonts and Text Sizes of Fuji Drypix 7000 Service Manual
  - Highlighting and Note-Taking Fuji Drypix 7000 Service Manual
  - Interactive Elements Fuji Drypix 7000 Service Manual
- 8. Staying Engaged with Fuji Drypix 7000 Service Manual
  - Joining Online Reading Communities
  - Participating in Virtual Book Clubs
  - Following Authors and Publishers Fuji Drypix 7000 Service Manual
- 9. Balancing eBooks and Physical Books Fuji Drypix 7000 Service Manual
  - Benefits of a Digital Library
  - Creating a Diverse Reading Collection Fuji Drypix 7000 Service Manual
- 10. Overcoming Reading Challenges
  - Dealing with Digital Eye Strain
  - Minimizing Distractions
  - Managing Screen Time
- 11. Cultivating a Reading Routine Fuji Drypix 7000 Service Manual



- Setting Reading Goals Fuji Drypix 7000 Service Manual
- Carving Out Dedicated Reading Time
- 12. Sourcing Reliable Information of Fuji Drypix 7000 Service Manual
  - Fact-Checking eBook Content of Fuji Drypix 7000 Service Manual
  - Distinguishing Credible Sources
- 13. Promoting Lifelong Learning
  - Utilizing eBooks for Skill Development
  - Exploring Educational eBooks
- 14. Embracing eBook Trends
  - Integration of Multimedia Elements
  - Interactive and Gamified eBooks

### **Fuji Drypix 7000 Service Manual Introduction**

Free PDF Books and Manuals for Download: Unlocking Knowledge at Your Fingertips In todays fast-paced digital age, obtaining valuable knowledge has become easier than ever. Thanks to the internet, a vast array of books and manuals are now available for free download in PDF format. Whether you are a student, professional, or simply an avid reader, this treasure trove of downloadable resources offers a wealth of information, conveniently accessible anytime, anywhere. The advent of online libraries and platforms dedicated to sharing knowledge has revolutionized the way we consume information. No longer confined to physical libraries or bookstores, readers can now access an extensive collection of digital books and manuals with just a few clicks. These resources, available in PDF, Microsoft Word, and PowerPoint formats, cater to a wide range of interests, including literature, technology, science, history, and much more. One notable platform where you can explore and download free Fuji Drypix 7000 Service Manual PDF books and manuals is the internets largest free library. Hosted online, this catalog compiles a vast assortment of documents, making it a veritable goldmine of knowledge. With its easy-to-use website interface and customizable PDF generator, this platform offers a user-friendly experience, allowing individuals to effortlessly navigate and access the information they seek. The availability of free PDF books and manuals on this platform demonstrates its commitment to democratizing education and empowering individuals with the tools needed to succeed in their chosen fields. It allows anyone, regardless of their background or financial limitations, to expand their horizons and gain insights from experts in various disciplines. One of the most significant advantages of downloading PDF books and manuals lies in their portability. Unlike physical copies, digital books can be stored and carried on a single device, such as a tablet or smartphone, saving valuable space and weight. This convenience makes it possible for readers to have

their entire library at their fingertips, whether they are commuting, traveling, or simply enjoying a lazy afternoon at home. Additionally, digital files are easily searchable, enabling readers to locate specific information within seconds. With a few keystrokes, users can search for keywords, topics, or phrases, making research and finding relevant information a breeze. This efficiency saves time and effort, streamlining the learning process and allowing individuals to focus on extracting the information they need. Furthermore, the availability of free PDF books and manuals fosters a culture of continuous learning. By removing financial barriers, more people can access educational resources and pursue lifelong learning, contributing to personal growth and professional development. This democratization of knowledge promotes intellectual curiosity and empowers individuals to become lifelong learners, promoting progress and innovation in various fields. It is worth noting that while accessing free Fuji Drypix 7000 Service Manual PDF books and manuals is convenient and cost-effective, it is vital to respect copyright laws and intellectual property rights. Platforms offering free downloads often operate within legal boundaries, ensuring that the materials they provide are either in the public domain or authorized for distribution. By adhering to copyright laws, users can enjoy the benefits of free access to knowledge while supporting the authors and publishers who make these resources available. In conclusion, the availability of Fuji Drypix 7000 Service Manual free PDF books and manuals for download has revolutionized the way we access and consume knowledge. With just a few clicks, individuals can explore a vast collection of resources across different disciplines, all free of charge. This accessibility empowers individuals to become lifelong learners, contributing to personal growth, professional development, and the advancement of society as a whole. So why not unlock a world of knowledge today? Start exploring the vast sea of free PDF books and manuals waiting to be discovered right at your fingertips.

### **FAQs About Fuji Drypix 7000 Service Manual Books**

How do I know which eBook platform is the best for me? Finding the best eBook platform depends on your reading preferences and device compatibility. Research different platforms, read user reviews, and explore their features before making a choice. Are free eBooks of good quality? Yes, many reputable platforms offer high-quality free eBooks, including classics and public domain works. However, make sure to verify the source to ensure the eBook credibility. Can I read eBooks without an eReader? Absolutely! Most eBook platforms offer webbased readers or mobile apps that allow you to read eBooks on your computer, tablet, or smartphone. How do I avoid digital eye strain while reading eBooks? To prevent digital eye strain, take regular breaks, adjust the font size and background color, and ensure proper lighting while reading eBooks. What the advantage of interactive eBooks? Interactive eBooks incorporate multimedia elements, quizzes, and activities, enhancing the reader engagement and providing a more immersive learning experience. Fuji Drypix 7000 Service Manual is

one of the best book in our library for free trial. We provide copy of Fuji Drypix 7000 Service Manual in digital format, so the resources that you find are reliable. There are also many Ebooks of related with Fuji Drypix 7000 Service Manual. Where to download Fuji Drypix 7000 Service Manual online for free? Are you looking for Fuji Drypix 7000 Service Manual PDF? This is definitely going to save you time and cash in something you should think about. If you trying to find then search around for online. Without a doubt there are numerous these available and many of them have the freedom. However without doubt you receive whatever you purchase. An alternate way to get ideas is always to check another Fuji Drypix 7000 Service Manual. This method for see exactly what may be included and adopt these ideas to your book. This site will almost certainly help you save time and effort, money and stress. If you are looking for free books then you really should consider finding to assist you try this. Several of Fuji Drypix 7000 Service Manual are for sale to free while some are payable. If you arent sure if the books you would like to download works with for usage along with your computer, it is possible to download free trials. The free guides make it easy for someone to free access online library for download books to your device. You can get free download on free trial for lots of books categories. Our library is the biggest of these that have literally hundreds of thousands of different products categories represented. You will also see that there are specific sites catered to different product types or categories, brands or niches related with Fuji Drypix 7000 Service Manual. So depending on what exactly you are searching, you will be able to choose e books to suit your own need. Need to access completely for Campbell Biology Seventh Edition book? Access Ebook without any digging. And by having access to our ebook online or by storing it on your computer, you have convenient answers with Fuji Drypix 7000 Service Manual To get started finding Fuji Drypix 7000 Service Manual, you are right to find our website which has a comprehensive collection of books online. Our library is the biggest of these that have literally hundreds of thousands of different products represented. You will also see that there are specific sites catered to different categories or niches related with Fuji Drypix 7000 Service Manual So depending on what exactly you are searching, you will be able tochoose ebook to suit your own need. Thank you for reading Fuji Drypix 7000 Service Manual. Maybe you have knowledge that, people have search numerous times for their favorite readings like this Fuji Drypix 7000 Service Manual, but end up in harmful downloads. Rather than reading a good book with a cup of coffee in the afternoon, instead they juggled with some harmful bugs inside their laptop. Fuji Drypix 7000 Service Manual is available in our book collection an online access to it is set as public so you can download it instantly. Our digital library spans in multiple locations, allowing you to get the most less latency time to download any of our books like this one. Merely said, Fuji Drypix 7000 Service Manual is universally compatible with any devices to read.

**Find Fuji Drypix 7000 Service Manual :**

**p144a ford focus**

one of many genres for yoko

once you love a cowboy

origins of god

~~online ham radio technician test~~

omega ruby new mauville

*ot soap note example*

*online frog dissection lab*

old norse work

**pablo neruda best books**

orientation plan template

*osmosis jones 2*

**paint contract template**

*old massey ferguson tractor models*

~~original depeche mode members~~

**Fuji Drypix 7000 Service Manual :**