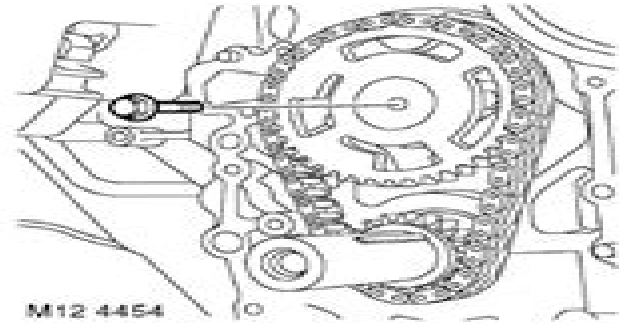
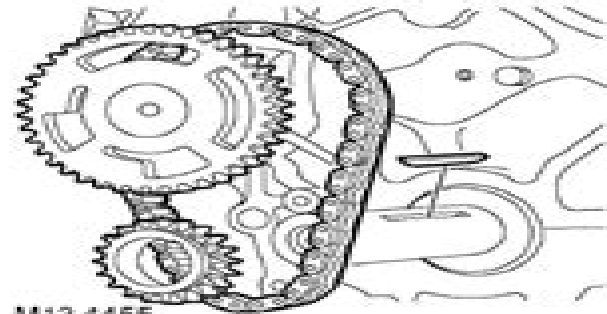


M12 4453A



M12 4454



M12 4455

---

# **Down Load V8 Landrover Manual On Timing System**

**SA Dillow**



# Down Load V8 Landrover Manual On Timing System

Land-Rover V8 ,1979 Tuning and Modifying the Rover V8 Engine Daniel R Lloyd,Nathan J Lloyd,2019-09-27 This is the ultimate book for any enthusiast or professional who is tuning or modifying the Rover V8 engine This essential read covers all aspects of tuning this versatile and much loved engine with an emphasis on selecting the correct combination of parts for your vehicle and its intended use Topics cover the short engine cylinder head modifications and aftermarket cylinder heads camshaft and valve train intake and exhaust systems cooling system carburettors and fuel injection distributor and distributor less ignition systems engine management LPG conversions and finally supercharging and turbo charging

3.5, 3.9 & 4.2 Litre V8 Engine ,1997 Land Rover Discovery Series II Workshop Manual 1999-2003 MY ,2010-03-31 Detailed engine data work instructions for both petrol diesel fuel systems Covering 4 0 V8 petrol engines and Td5 diesel engines A detailed guide to maintenance repair covering of all parts of the car and engine including torque wrench settings emission control engine management fuel delivery cooling manifolds exhaust clutch automstic manual gear box propeller alxes steering suspension brakes restraints doos exterior fittings interior trim components screens seats sunroof panel repairs heating ventilation air conditioning wipers and washers instruments and so much more Land Rover 35, 39, 40, 42 and 46 V8 Petrol Engine Overhaul Manual British Leyland Motors,Rover Group Ltd.,2000 Land Rover 3.5, 3.9, 4.0, 4.2, 4.6 V8 Petrol Engines Brooklands Books Ltd,2005-08-20 An essential reference for any V8 engine rebuild Covers engine but not bolt on equipment Land Rover V8 Brooklands Books Ltd,1995-09 Covers the Series 3 V 8 model and should be used in conjunction with the Series 3 workshop manual **Land Rover Defender Petrol and Diesel 1993/1995 My Workshop Manual: Covering 90 110 130 Models** Brooklands Books Ltd,2015-12-01 Engines covered include the 2 25 2 5 3 5 V8 Petrol and the 2 25 2 5 2 5 Turbo and 200 Tdi Diesel versions Plus covering the Lt77 Lt77S Lt95 Lt85 Lt85 lightweight gearboxes and both Lt230R Lt230T transfer boxes It also serves as a reference book for service supervision and covers items of procedure for the guidance of both the fully qualified and the less experienced mechanic It covers in great detail the general specification data engine tuning data torque wrench settings general fitting instructions recommended lubricants fluids and capacities engine fuel system cooling system manifold and exhaust clutch manual gearbox transfer gearbox propeller shafts front and rear axle differentials front axle and final drive steering suspension brakes chassis and body heating and ventilation air conditioning and electrical equipment Publication No Ldawnen93 **Land Rover Discovery Series II Official Workshop Manual: 1999, 2000, 2001, 2002, 2003: Covering 4.0 V8 Petrol Engines and Td5 Diesel Engines** Rover Group Ltd,2010-06-01 The Land Rover Discovery Series II Workshop Manual 1999 2003 features detailed engine data work instructions for both petrol diesel fuel systems The book includes coverage of the 4 0 liter V8 petrol engines and Td5 diesel engines Written and published by the Rover Group Ltd for the dedicated Land Rover service

technician or owner it s a detailed guide to maintenance repair covering many parts of the car and engine **The Rover V8 Engine** David Hardcastle,1995 A thorough technical assessment of the Rover V8 engine and all methods of tuning for increased power output Filled with the V8s transatlantic origins and production its competition career in rallies and in saloon car road racing plus details of all Rover V8 speed equipment suppliers and professional engine builders This volume brings the Rover V8 story up to date with developments ranging from the factory 3 9 litre to the Range Rover of 1994 *The Car Hacker's Handbook* Craig Smith,2016-03-01 Modern cars are more computerized than ever Infotainment and navigation systems Wi Fi automatic software updates and other innovations aim to make driving more convenient But vehicle technologies haven t kept pace with today s more hostile security environment leaving millions vulnerable to attack The Car Hacker s Handbook will give you a deeper understanding of the computer systems and embedded software in modern vehicles It begins by examining vulnerabilities and providing detailed explanations of communications over the CAN bus and between devices and systems Then once you have an understanding of a vehicle s communication network you ll learn how to intercept data and perform specific hacks to track vehicles unlock doors glitch engines flood communication and more With a focus on low cost open source hacking tools such as Metasploit Wireshark Kayak can utils and ChipWhisperer The Car Hacker s Handbook will show you how to Build an accurate threat model for your vehicle Reverse engineer the CAN bus to fake engine signals Exploit vulnerabilities in diagnostic and data logging systems Hack the ECU and other firmware and embedded systems Feed exploits through infotainment and vehicle to vehicle communication systems Override factory settings with performance tuning techniques Build physical and virtual test benches to try out exploits safely If you re curious about automotive security and have the urge to hack a two ton computer make The Car Hacker s Handbook your first stop

Range Rover V8 Petrol Owners Workshop Manual Haynes,2012-10 An owners workshop manual for the Range Rover V8

**Land-Rover, Salesman's Manual** ,1980 *Chassis Handbook* Bernhard Heißing,Metin Ersoy,2010-11-09 In spite of all the assistance offered by electronic control systems the latest generation of passenger car chassis still relies on conventional chassis elements With a view towards driving dynamics this book examines these conventional elements and their interaction with mechatronic systems First it describes the fundamentals and design of the chassis and goes on to examine driving dynamics with a particularly practical focus This is followed by a detailed description and explanation of the modern components A separate section is devoted to the axles and processes for axle development With its revised illustrations and several updates in the text and list of references this new edition already includes a number of improvements over the first edition *88 Instruments* Chris Barton,2016-08-16 The rhythmic onomatopoeic text dances across exuberant watercolors with lots of movement This celebration of a child s agency in choosing a means of artistic expression strikes just the right note Kirkus A delightful offering for reading aloud especially during music themed storytimes School Library Journal From New York Times bestselling author Chris Barton and new illustrator Louis Thomas comes a fun rhythmic picture book about

finding the music that is perfect for you A boy who loves to make noise gets to pick only one instrument at his parents urging in a music store but there is too much to choose from There s triangles and sousaphones There s guitars and harpsichords Bagpipes and cellos and trombones How can he find the one that is just right for him out of all those options **Best Practices for DB2 on AIX 6.1 for POWER Systems** Rakesh Dash, Bernard Goelen, Vasfi Gucer, Rajesh K Jeyapaul, Sunil Kamath, Naveen Kumar Bharatha, Michael Kwok, Anupama Padmanabhan, Punit Shah, Basker Shanmugam, Sweta Singh, Amar Thakkar, Adriana Zubiri, IBM Redbooks, 2015-08-27 This IBM Redbooks publication presents a best practices guide for DB2 and InfoSphere™ Warehouse performance on a AIX 6L with Power Systems™ virtualization environment It covers Power hardware features such as PowerVMTM multi page support Reliability Availability and Serviceability RAS and how to best exploit them with DB2 LUW workloads for both transactional and data warehousing systems The popularity and reach of DB2 and InfoSphere Warehouse has grown in recent years Enterprises are relying more on these products for their mission critical transactional and data warehousing workloads It is critical that these products be supported by an adequately planned infrastructure This publication offers a reference architecture to build a DB2 solution for transactional and data warehousing workloads using the rich features offered by Power systems IBM Power Systems have been leading players in the server industry for decades Power Systems provide great performance while delivering reliability and flexibility to the infrastructure This book presents a reference architecture to build a DB2 solution for transactional and data warehousing workloads using the rich features offered by Power systems It aims to demonstrate the benefits DB2 and InfoSphere Warehouse can derive from a Power Systems infrastructure and how Power Systems support these products The book is intended as a guide for a Power Systems specialist to understand the DB2 and InfoSphere Warehouse environment and for a DB2 and InfoSphere Warehouse specialist to understand the facilities available for Power Systems supporting these products

**A Practical Approach to Motor Vehicle Engineering and Maintenance** Allan Bonnick, Derek Newbold, 2011-05-26 Fully updated and in line with latest specifications this textbook integrates vehicle maintenance procedures making it the indispensable first classroom and workshop text for all students of motor vehicle engineering apprentices and keen amateurs Its clear logical approach excellent illustrations and step by step development of theory and practice make this an accessible text for students of all abilities With this book students have information that they can trust because it is written by an experienced practitioner and lecturer in this area This book will provide not only the information required to understand automotive engines but also background information that allows readers to put this information into context The book contains flowcharts diagnostic case studies detailed diagrams of how systems operate and overview descriptions of how systems work All this on top of step by step instructions and quick reference tables Readers won t get bored when working through this book with questions and answers that aid learning and revision included **Cam Design Handbook** Harold A. Rothbart, 2004 Packed with hundreds of detailed illustrations THE DEFINITIVE GUIDE TO CAM TECHNOLOGY The

transformation of a simple motion such as rotation into linear or other motion is accomplished by means of a cam two moving elements mounted on a fixed frame Cam devices are versatile almost any specified motion can be obtained If you work with industrial applications where precision is essential the Cam Design Handbook is a key resource you ll need handy at all times You ll find thorough detailed coverage of cams in industrial machinery automotive optimization and gadgets and inventions Written with tremendous practical insight by engineering experts the Cam Design Handbook gathers the information you need to understand cam manufacture and design Comprehensive in scope and authoritative in nature the book delivers a firm grasp of The advantages of cams compared to other motion devices Computer aided design and manufacturing techniques Numerical controls for manufacturing Cam size and profile determination Dynamics of high speed systems Get comprehensive coverage of Basic curves Profile geometry Stresses and accuracy Camwear life predictions Cam system dynamics And more

*Range Rover First Generation* James Taylor,2018-04-23 The Range Rover s designers intended it to be a more comfortable and road friendly passenger carrying Land Rover but customers quickly saw something much more in it During the 1970s while its immense practicality and capability were appreciated and acknowledged a Range Rover became a sought after and prestigious possession It went on to change the face of Land Rover for ever *Range Rover First Generation The Complete Story* delves into the real story of the Range Rover examining what lay behind the multiple changes in its twenty six years of production The book covers the full development story custom and utility conversions Range Rovers for the US market full technical specifications and Range Rovers assembled overseas If ever a car deserved the over used epithet iconic the first generation Range Rover is it The book provides an insight into the little known difficulties and problems that were so well concealed by the Range Rover s makers and is a must read for all Range Rover and Land Rover enthusiasts Superbly illustrated with 223 colour and 97 black white photographs

**Automobile Electrical and Electronic Systems**  
Tom Denton,2017-09-12 This textbook will help you learn all the skills you need to pass all Vehicle Electrical and Electronic Systems courses and qualifications As electrical and electronic systems become increasingly more complex and fundamental to the workings of modern vehicles understanding these systems is essential for automotive technicians For students new to the subject this book will help to develop this knowledge but will also assist experienced technicians in keeping up with recent technological advances This new edition includes information on developments in pass through technology multiplexing and engine control systems In full colour and covering the latest course specifications this is the guide that no student enrolled on an automotive maintenance and repair course should be without Designed to make learning easier this book contains Photographs flow charts quick reference tables overview descriptions and step by step instructions Case studies to help you put the principles covered into a real life context Useful margin features throughout including definitions key facts and safety first considerations

[dream and hope and future 03 japanese edition by yamasan](#) - Oct 29 2022

web just a dreamor future reality science dream and hope and future 03 japanese edition by yamasan is at hand in our novel assemblage an online access to it is set as public so you can get it instantaneously we pay for dream and hope and future 03 japanese edition by yamasan and numerous books archives from fictions to scientific

[dream and hope and future 03 japanese edition pdf](#) - Aug 07 2023

web aug 27 2023 dream and hope and future 03 japanese edition is available in our digital library an online access to it is set as public so you can get it instantly our digital library spans in multiple countries allowing you to get the most

**dream and hope and future 03 japanese edition kindle edition** - Sep 08 2023

web feb 25 2017 amazon com dream and hope and future 03 japanese edition ebook yamasan kindle store

**dream and hope and future 08 japanese edition pdf** - Jun 05 2023

web from dream to destiny toward a future theatre dreaming of hope street becoming your dream the collected fiction of william hope hodgson the dream of x other fantastic visions the hope quotient dream let us dream whisper s dream the alphabet of leadership dare to dream dream and hope and future 08 japanese edition

*dream and hope and future 03 japanese edition* - Oct 09 2023

web oct 9 2023 dream and hope and future 03 japanese edition the new cambridge history of japan volume 3 the modern japanese nation and empire c 1868 to the twenty first century laura hein 2023 05 31 this major new volume presents innovative recent scholarship on japan s modern history including its imperial past and

**dream and hope and future 03 japanese edition uniport edu** - Aug 27 2022

web dream and hope and future 03 japanese edition 1 9 downloaded from uniport edu ng on may 18 2023 by guest dream and hope and future 03 japanese edition this is likewise one of the factors by obtaining the soft documents of this dream and hope and future 03 japanese edition by online you might not require

**dream and hope and future 03 japanese edition pdf** - May 04 2023

web dream and hope and future 03 japanese edition 2 10 downloaded from uniport edu ng on april 23 2023 by guest dream reader anthony shafton 1995 01 01 a comprehensive survey of contemporary approaches to understanding dreams if you can have only one book on dreams this is the one to have

**danganronpa 3 future arc episode 03** - Apr 22 2022

web cruel violence and hollow words is the fifth episode of danganronpa 3 the end of hope s peak high school and the third episode of future arc which serves as the final chapter of the hope s peak series the episode was originally broadcasted in japan on july 25th 2016 and was simulcast with english subtitles by funimation the same day

[hope and future rehabilitation embu facebook](#) - May 24 2022

web hope and future rehabilitation embu kenya 841 likes 15 talking about this 76 were here recover and rehabilitation centre for alcohol and drug addicts located in embu kenya

*dream and hope and future 03 japanese edition pdf* - Jul 06 2023

web mar 12 2023 dream and hope and future 03 japanese edition 1 11 downloaded from uniport edu ng on march 12 2023 by guest dream and hope and future 03 japanese edition recognizing the habit ways to acquire this book dream and hope and future 03 japanese edition is additionally useful

dreams and plans for the future aula de inglês curso de inglês - Feb 18 2022

web i tell you eu te digo don t give up your dreams nao desista dos seus sonhos try hard tente duro dedicate your time to your plans and to your dreams dedique seu tempo a seus planos e sonhos put your mind into it coloque sua mente nisso focus foque talk about your dreams and focus fale sobre seus sonhos e foque

**dream and hope and future 03 japanese edition pdf** - Nov 29 2022

web dream and hope and future 03 japanese edition 1 dream and hope and future 03 japanese edition the collected fiction of william hope hodgson the dream of x other fantastic visions becoming your dream whisper s dream martin luther king jr visions and dreams create a desired future by working on your own dream planning

**dream and hope and future 03 japanese edition** - Jul 26 2022

web statement dream and hope and future 03 japanese edition can be one of the options to accompany you afterward having extra time it will not waste your time say yes me the e book will agreed express you further matter to read just invest tiny times to approach this on line broadcast dream and hope and future 03 japanese edition as well as

dream and hope and future 03 japanese edition by yamasan - Apr 03 2023

web this dream and hope and future 03 japanese edition by yamasan but end up in detrimental downloads simply stated the dream and hope and future 03 japanese edition by yamasan

**nintendo dream august 2022 issue cover fire emblem three hopes** - Mar 22 2022

web tokumashoten nintendo dream book listed at cdjapan get it delivered safely by sal ems fedex and save with cdjapan rewards

**dream and hope and future 03 japanese edition pdf** - Mar 02 2023

web jun 26 2023 dream and hope and future 03 japanese edition 1 9 downloaded from uniport edu ng on june 26 2023 by guest dream and hope and future 03 japanese edition as recognized adventure as without difficulty as experience nearly lesson amusement as competently as deal can be gotten by just checking out a books

e9 future arc 5 dreams of distant days crunchyroll - Jun 24 2022

web mar 29 2022 watch danganronpa 3 the end of hope s peak high school english dub future arc 5 dreams of distant days



on crunchyroll the battle for survival continues for the trapped members of the future

*dream and hope and future 03 japanese edition copy* - Sep 27 2022

web dream and hope and future 03 japanese edition a history of hope create a desired future by working on your own dream

dream the impossible dream hope wish the collected fiction of william hope hodgson the dream of x other fantastic visions

the alphabet of leadership dare to dream from dream to destiny prophecy now the

dream and hope and future 03 japanese edition uniport edu - Feb 01 2023

web apr 18 2023 dream and hope and future 03 japanese edition fittingly simple sino japanese transculturation richard king

2012 this is a multi author work which examines the cultural dimensions of the relations between east asia s two great

powers china and japan in a period of change

**dream and hope and future 04 japanese edition db csda** - Dec 31 2022

web 2 dream and hope and future 04 japanese edition 2023 02 21 this book chronicles american history through the stories

of the individuals and movements that dreamed of a better future and then took action to make that dream a reality arguing

that the much

fahrrad selber reparieren das muss du wissen bikes de - Jul 20 2023

web apr 24 2021 fahrrad selber reparieren das muss du wissen bikes de einige reparaturen und wartungsarbeiten kannst

du auch ohne schrauberausbildung an deinem rad vornehmen lies hier welche das sind und wie du sie durchführst click

collect hole dein bike direkt beim händler ab

**fahrrad reparatur und wartung tips tricks bike x de** - Oct 11 2022

web fahrrad reparatur du willst dein rad selber reparieren wir haben tips und tricks aus der werkstatt jetzt auf bikex lesen

**tips zur wartung und reparatur von fahrrädern bikewelt24 com** - Feb 03 2022

web may 7 2023 erfahren sie in unserem artikel warum fahrradwartung so wichtig ist und welche schritte sie unternehmen

können um ihr fahrrad in einwandfreiem zustand zu halten entdecken sie tips und tricks zur fahrradpflege und wartung um

das beste aus ihrem fahrrad herauszuholen

fahrradreparatur fahrradwartung mit diamantrad - Sep 10 2022

web fahrradrahmen fahrradgabel warten und reparieren das fahrradrahmenset bestehend aus rahmen und gabel erfordert

eine regelmäßige wartung sollte einmal eine reparatur anfallen kommst du um eine auseinandersetzung mit

fahrrad checkliste so gelingt die wartung magazin der - Jul 08 2022

web mar 14 2023 bevor sie ihr fahrrad selbst reparieren sollten sie beachten dass es für einige komponenten am fahrrad

exakte wartungsvorgaben der hersteller gibt wenn diese nicht eingehalten werden kann unter umständen der

garantieanspruch verfallen oder betroffene fahrradteile vorzeitig ausfallen

**wo finde ich einen fachmann der mein fahrrad repariert** - Apr 05 2022

web markus müller 30 juli 2023 häufige fragen du hast ein problem mit deinem fahrrad keine sorge es gibt einige möglichkeiten es schnell und einfach zu reparieren in diesem artikel erfährst du wo du hilfe bekommst und wie

**fahrrad selber reparieren tipps ratgeber obi** - Feb 15 2023

web wohnen fahrrad selber reparieren zuletzt aktualisiert 08 04 2022 4 minuten von obi redaktion um sicherzustellen dass dein fahrrad lange gut läuft und um teure reparaturen zu vermeiden solltest du es regelmäßig warten dafür musst du nicht immer eine werkstatt aufsuchen

**tipps tricks zum fahrrad reparieren xxl reparatur ratgeber** - Mar 16 2023

web ratgeber fahrrad reparatur praktische tipps tricks zur pflege reparatur und wartung von fahrrädern und fahrradkomponenten jetzt informieren

tipps zur wartung und reparatur fahrräder - Aug 21 2023

web um schäden oder vorzeitigen verschleiß zu vermeiden ist es wichtig dass du dein fahrrad regelmäßig pflegst wir begleiten dich bei jedem schritt und bieten dir unsere tipps und tricks zur pflege aber auch zur reparatur deines fahrrads damit du dein produkt dauerhaft nutzen kannst

fahrrad inspektion selber machen und rad richtig pflegen - Jun 07 2022

web mar 23 2022 einen basis check bieten zwar auch fahrradwerkstätten zu preisen um 50 euro an die wartezeiten sind aber im frühjahr und sommer häufig lang viele kleinere reparaturen können laien mit dem

*tuvturk com tr* - Mar 04 2022

web TÜVtÜrk araç muayene hizmeti veren bir kuruluştur web sitesinde muayene öncesi gerekli belgeler randevu alma gezici istasyon ziyaret programı gibi bilgileri bulabilirsiniz araç muayenenizi kolay ve güvenli bir şekilde yaptırmak için TÜVtÜrk ü tercih edin

**inspektion fahrrad xxl kundenservice** - Dec 13 2022

web eine regelmäßige wartung ist nötig so kannst du dein fahrrad dauerhaft mit freude fahren wir empfehlen einen ersten service nach etwa 300 km oder spätestens nach drei monaten danach ist es wichtig eine regelmäßige inspektion mindestens einmal jährlich in einer fachwerkstatt durchzuführen

*kosten beim fahrrad service werkstatt wartung pflege* - Jun 19 2023

web jul 23 2021 wer sein fahrrad wirklich mag der spendiert ihm einen regelmäßigen service doch was muss getan werden und welche kosten kommen auf einen zu

*fahrrad wartung decathlon* - Jan 14 2023

web wartung reparatur after sales support pflege und wartung fahrrad wartung jetzt sparen pflege pakete 2 reinigung 70

entfetter 7 schmiermittel 115 wartungsprodukte 56 suche deine filiale und sieh dir die verfügbarkeiten der artikel an 249  
produkte filter bestseller am 14 15 oktober jetzt sparen 139 99 elite

**online servis randevusu** - Jan 02 2022

web toyota online servis randevusu planlama sayfasına hoşgeldiniz yetkili toyota servisleri nde dilediğiniz servis hizmetini  
size uygun gün ve saate planlayabilmemiz için kişisel ve iletişim bilgilerinizi doldurmanızı rica ederiz paylaşmış olduğum  
bilgilerin toyota güvencesinde incelediğim ve kabul ettiğim toyota nın

*fahrrad wartung und pflege reinigung produkte inspektion* - May 18 2023

web feb 4 2019 pflege und wartung des fahrrads reinigung produkte inspektion händler so pflegen sie ihr fahrrad richtig  
die neue fahrradsaison steht in den startlöchern und das lieblingsrad sieht aus wie ein alter gaul wir zeigen in wenigen  
schritten wie das rad mit etwas zuneigung und der richtigen pflege wieder aussieht wie

**fahrrad inspektion checkliste tips bike24** - Apr 17 2023

web fahrrad inspektion selber machen schritt für schritt anleitung passende ausrüstung fahrräder sind als ganzjährige  
transportmittel beliebter denn je doch auch sie benötigen regelmäßig wartung und pflege die fahrrad inspektion empfiehlt  
sich besonders nach einer gewissen laufleistung

*wo kann ich mein e bike reparieren lassen fahrrad xxl* - Nov 12 2022

web egal ob reparatur wartung oder hilfe bei einem software update unsere servicemitarbeiter sind bestens geschult und  
helfen dir gerne weiter komme einfach in einer unserer filialen vorbei oder wende dich an unsere hotline gerne helfen wir dir  
auch dabei die wartung und pflege deines fahrrades selbst zu übernehmen

**tÜvtÜrk araç muayene İstasyonları anasayfa** - Dec 01 2021

web tÜvtÜrk İstasyonları liste yol tarifi filtre size en yakın tÜvturk İstasyonlarını bulabilir yol tarifi alabilir çalışma saatlerini  
öğrenip tek tıkla arayabilirsiniz

ford servis randevusu ford türkiye - Oct 31 2021

web satılan araçlardaki mevcut donanım hakkında en güncel bilgi ford bayilerinden alınabilir web sitesi kullanım şartları ile  
ilgili detaylı bilgiye buradan erişebilirsiniz ford bayilerimiz size en iyi servis ve bakım standartlarını sunar ford bayilerinden  
servis randevusu almak için

fahrradinspektion fahrrad checkliste und wartung 30 punkte - Aug 09 2022

web bike reparatur wartung funktion einstellung pflege instandsetzung 12 90 stand 14 oktober 2023 10 22 uhr jetzt auf  
amazon kaufen anzeige das passende werkzeug zur reparatur das pdf ist kostenlos und darf gerne verlinkt werden bitte  
sehen sie davon ab das dokument auf ihren eigenen webserver zu laden

*wartung mit checkliste tests fahrrad blog* - May 06 2022

web lichtenanlage federung zubehör sonstiges probefahrt wann ist eine inspektion fällig eine fahrradinspektion wird beim kauf eines neuen bikes entweder nach ca 300 km oder nach 3 bis 6 monaten zum ersten mal fällig anschließend sollte die inspektion im eigenen interesse mindestens einmal jährlich gemacht werden

*fahrradwerkstatt inspektion reparatur co fahrrad xxl fahrrad* - Sep 22 2023

web werkstatt service von fahrrad xxl alle infos zum serviceheft inspektionen reparaturen jetzt informieren und filiale in der nähe finden

*c è tessuto e tessuto elena gandelli libro libreria ibs* - May 13 2023

web descrizione c è tessuto e tessuto è un manuale che si propone di far conoscere i numerosi materiali tessili attraverso la descrizione delle fibre che li compongono dei processi di realizzazione degli stessi e delle loro molteplici applicazioni nel campo dell'abbigliamento e non presenta un capitolo dove vengono descritti i tessuti una

**c è tessuto e tessuto ediz illustrata** - Jul 15 2023

web c è tessuto e tessuto è un manuale che si propone di far conoscere i numerosi materiali tessili attraverso la descrizione delle fibre che li compongono dei processi di realiz

**seta fibre tessuti e moda ediz illustrata miller l e cur** - Jun 02 2022

web seta fibre tessuti e moda ediz illustrata è un libro di miller l e cur e cabrera lafuenta a cur e allen johnstone c cur pubblicato da einaudi nella collana grandi opere con argomento seta sconto 5 isbn 9788806249939

Istanbul Üniversitesi edebiyat fakültesi Çağdaş türk lehçeleri - Jul 03 2022

web Çağdaş türk lehçeleri ve edebiyatları bölümü bölüm tarihçe misyon ve vizyon galeri

*c e tessuto e tessuto ediz illustrata pdf faq workoutmeals com* - Dec 28 2021

web tessuti il tessuto e la moda conoscere per scegliere il tessuto in europa c è tessuto e tessuto trattato di istologia la grammatica dei tessuti la canapa bollettino del consorzio industriali canapieri dei consorzi per la canapa c e tessuto e tessuto ediz illustrata downloaded from faq workoutmeals com au by guest jaeden holt il policlinico

**libri tessuti catalogo libri tessuti unilibro** - Dec 08 2022

web c è tessuto e tessuto ediz illustrata libro gandelli elena

*c è tessuto e tessuto ediz illustrata paperback amazon com au* - Jan 09 2023

web c è tessuto e tessuto ediz illustrata gandelli elena on amazon com au free shipping on eligible orders c è tessuto e tessuto ediz illustrata

**c è tessuto e tessuto ediz illustrata gandelli elena** - Apr 12 2023

web c è tessuto e tessuto è un manuale che si propone di far conoscere i numerosi materiali tessili attraverso la descrizione delle fibre che li compongono dei processi di realizzazione degli stessi e delle loro molteplici applicazioni nel campo dell

abbigliamento e non

**scarica pdf c è tessuto e tessuto ediz illustrata gratis** - Sep 05 2022

web aug 29 2023 c è tessuto e tessuto è un manuale che si propone di far conoscere i numerosi materiali tessili attraverso la descrizione delle fibre che li compongono dei processi di realizzazione degli stessi e delle loro molteplici applicazioni nel campo dell'abbigliamento e non

[c è tessuto e tessuto ediz illustrata amazon fr](#) - Mar 11 2023

web noté 5 achetez c è tessuto e tessuto ediz illustrata de gandelli elena isbn 9788848808378 sur amazon fr des millions de livres livrés chez vous en 1 jour

**seta fibre tessuti e moda ediz illustrata mondadori store** - Aug 04 2022

web i colori i motivi e le trame di seta rivelano una varietà davvero notevole di tecniche decorative e il ricco scambio di idee e abilità tra culture diverse con oltre 600 illustrazioni tutto sulla seta tra storia e geografia la produzione della regina dei tessuti in un prezioso volume rilegato in stoffa e illustrato con una selezione di

[free c e tessuto e tessuto ediz illustrata cyberlab sutd edu sg](#) - Mar 31 2022

web c è tessuto e tessuto sep 20 2022 un manuale che si propone di far conoscere i numerosi materiali tessili attraverso la descrizione delle fibre che li compongono dei processi di realizzazione degli stessi e delle loro molteplici applicazioni nel

**c è tessuto e tessuto ediz illustrata soluzionelibro it** - Oct 06 2022

web vendita libri online e consigli di lettura account expand more il mio account

*c è tessuto e tessuto ediz illustrata amazon com br* - Feb 10 2023

web compre online c è tessuto e tessuto ediz illustrata de gandelli elena na amazon frete grátis em milhares de produtos com o amazon prime encontre diversos livros em inglês e outras línguas com ótimos preços

**c è tessuto e tessuto ediz illustrata by elena gandelli** - Feb 27 2022

web ediz illustrata carlo calloni libro design della maglieria ediz illustrata vol 1 a be c è dario ediz illustrata libro pompeii mauro it c è tessuto e tessuto ediz illustrata la tecnica del moulage corso pratico di progettazione tessuti fibre e tessili migliori prodotti amp opinioni progetti per l'architettura della città ediz illustrata

**c e tessuto e tessuto ediz illustrata qa lajollamapmuseum** - Jan 29 2022

web c e tessuto e tessuto ediz illustrata this is likewise one of the factors by obtaining the soft documents of this c e tessuto e tessuto ediz illustrata by online

[c è tessuto e tessuto ediz illustrata amazon it](#) - Aug 16 2023

web c è tessuto e tessuto è un manuale che si propone di far conoscere i numerosi materiali tessili attraverso la descrizione delle fibre che li compongono dei processi di realizzazione degli stessi e delle loro molteplici applicazioni nel campo dell'

abbigliamento e non

**c è tessuto e tessuto ediz illustrata elena gandelli lampi di** - Jun 14 2023

web ediz illustrata c è tessuto e tessuto è un manuale che si propone di far conoscere i numerosi materiali tessili attraverso la descrizione delle fibre che li compongono dei processi di realizzazione degli stessi e delle loro molteplici applicazioni nel campo dell abbigliamento e non

**c è tessuto e tessuto ediz illustrata altri libri amazon es** - Nov 07 2022

web c è tessuto e tessuto ediz illustrata altri libri gandelli elena amazon es libros

**c e tessuto e tessuto ediz illustrata sip indagkop kaltimprov go id** - May 01 2022

web ediz illustrata carlo pedretti 1999 c è tessuto e tessuto elena gandelli 2009 10 01 un manuale che si propone di far conoscere i numerosi materiali tessili attraverso la descrizione delle fibre che li compongono dei processi di realizzazione degli stessi e delle loro molteplici applicazioni nel campo dell abbigliamento e non È

Fuel your quest for knowledge with is thought-provoking masterpiece, Explore **Down Load V8 Landrover Manual On Timing System** . This educational ebook, conveniently sized in PDF ( Download in PDF: \*), is a gateway to personal growth and intellectual stimulation. Immerse yourself in the enriching content curated to cater to every eager mind. Download now and embark on a learning journey that promises to expand your horizons. .

[https://offsite.creighton.edu/files/virtual-library/Documents/marsh\\_the\\_sandman.pdf](https://offsite.creighton.edu/files/virtual-library/Documents/marsh_the_sandman.pdf)

[https://offsite.creighton.edu/files/virtual-library/Documents/lyrics\\_justified\\_theme\\_song.pdf](https://offsite.creighton.edu/files/virtual-library/Documents/lyrics_justified_theme_song.pdf)

[https://offsite.creighton.edu/files/virtual-library/Documents/mark\\_twain\\_ii.pdf](https://offsite.creighton.edu/files/virtual-library/Documents/mark_twain_ii.pdf)

## **Table of Contents Down Load V8 Landrover Manual On Timing System**

1. Understanding the eBook Down Load V8 Landrover Manual On Timing System
  - The Rise of Digital Reading Down Load V8 Landrover Manual On Timing System
  - Advantages of eBooks Over Traditional Books
2. Identifying Down Load V8 Landrover Manual On Timing System
  - Exploring Different Genres
  - Considering Fiction vs. Non-Fiction
  - Determining Your Reading Goals
3. Choosing the Right eBook Platform
  - Popular eBook Platforms
  - Features to Look for in an Down Load V8 Landrover Manual On Timing System
  - User-Friendly Interface
4. Exploring eBook Recommendations from Down Load V8 Landrover Manual On Timing System
  - Personalized Recommendations

- Down Load V8 Landrover Manual On Timing System User Reviews and Ratings
- Down Load V8 Landrover Manual On Timing System and Bestseller Lists
- 5. Accessing Down Load V8 Landrover Manual On Timing System Free and Paid eBooks
  - Down Load V8 Landrover Manual On Timing System Public Domain eBooks
  - Down Load V8 Landrover Manual On Timing System eBook Subscription Services
  - Down Load V8 Landrover Manual On Timing System Budget-Friendly Options
- 6. Navigating Down Load V8 Landrover Manual On Timing System eBook Formats
  - ePub, PDF, MOBI, and More
  - Down Load V8 Landrover Manual On Timing System Compatibility with Devices
  - Down Load V8 Landrover Manual On Timing System Enhanced eBook Features
- 7. Enhancing Your Reading Experience
  - Adjustable Fonts and Text Sizes of Down Load V8 Landrover Manual On Timing System
  - Highlighting and Note-Taking Down Load V8 Landrover Manual On Timing System
  - Interactive Elements Down Load V8 Landrover Manual On Timing System
- 8. Staying Engaged with Down Load V8 Landrover Manual On Timing System
  - Joining Online Reading Communities
  - Participating in Virtual Book Clubs
  - Following Authors and Publishers Down Load V8 Landrover Manual On Timing System
- 9. Balancing eBooks and Physical Books Down Load V8 Landrover Manual On Timing System
  - Benefits of a Digital Library
  - Creating a Diverse Reading Collection Down Load V8 Landrover Manual On Timing System
- 10. Overcoming Reading Challenges
  - Dealing with Digital Eye Strain
  - Minimizing Distractions
  - Managing Screen Time
- 11. Cultivating a Reading Routine Down Load V8 Landrover Manual On Timing System
  - Setting Reading Goals Down Load V8 Landrover Manual On Timing System
  - Carving Out Dedicated Reading Time
- 12. Sourcing Reliable Information of Down Load V8 Landrover Manual On Timing System
  - Fact-Checking eBook Content of Down Load V8 Landrover Manual On Timing System



- Distinguishing Credible Sources
13. Promoting Lifelong Learning
- Utilizing eBooks for Skill Development
  - Exploring Educational eBooks
14. Embracing eBook Trends
- Integration of Multimedia Elements
  - Interactive and Gamified eBooks

### **Down Load V8 Landrover Manual On Timing System Introduction**

Down Load V8 Landrover Manual On Timing System Offers over 60,000 free eBooks, including many classics that are in the public domain. Open Library: Provides access to over 1 million free eBooks, including classic literature and contemporary works. Down Load V8 Landrover Manual On Timing System Offers a vast collection of books, some of which are available for free as PDF downloads, particularly older books in the public domain. Down Load V8 Landrover Manual On Timing System : This website hosts a vast collection of scientific articles, books, and textbooks. While it operates in a legal gray area due to copyright issues, its a popular resource for finding various publications. Internet Archive for Down Load V8 Landrover Manual On Timing System : Has an extensive collection of digital content, including books, articles, videos, and more. It has a massive library of free downloadable books. Free-eBooks Down Load V8 Landrover Manual On Timing System Offers a diverse range of free eBooks across various genres. Down Load V8 Landrover Manual On Timing System Focuses mainly on educational books, textbooks, and business books. It offers free PDF downloads for educational purposes. Down Load V8 Landrover Manual On Timing System Provides a large selection of free eBooks in different genres, which are available for download in various formats, including PDF. Finding specific Down Load V8 Landrover Manual On Timing System, especially related to Down Load V8 Landrover Manual On Timing System, might be challenging as theyre often artistic creations rather than practical blueprints. However, you can explore the following steps to search for or create your own Online Searches: Look for websites, forums, or blogs dedicated to Down Load V8 Landrover Manual On Timing System, Sometimes enthusiasts share their designs or concepts in PDF format. Books and Magazines Some Down Load V8 Landrover Manual On Timing System books or magazines might include. Look for these in online stores or libraries. Remember that while Down Load V8 Landrover Manual On Timing System, sharing copyrighted material without permission is not legal. Always ensure youre either creating your own or obtaining them from legitimate sources that allow sharing and downloading. Library Check if your local library offers eBook lending services. Many libraries have digital catalogs where you can borrow Down Load V8 Landrover Manual On Timing System eBooks for free, including popular titles. Online Retailers: Websites like Amazon, Google

Books, or Apple Books often sell eBooks. Sometimes, authors or publishers offer promotions or free periods for certain books. Authors Website Occasionally, authors provide excerpts or short stories for free on their websites. While this might not be the Down Load V8 Landrover Manual On Timing System full book , it can give you a taste of the authors writing style. Subscription Services Platforms like Kindle Unlimited or Scribd offer subscription-based access to a wide range of Down Load V8 Landrover Manual On Timing System eBooks, including some popular titles.

### FAQs About Down Load V8 Landrover Manual On Timing System Books

How do I know which eBook platform is the best for me? Finding the best eBook platform depends on your reading preferences and device compatibility. Research different platforms, read user reviews, and explore their features before making a choice. Are free eBooks of good quality? Yes, many reputable platforms offer high-quality free eBooks, including classics and public domain works. However, make sure to verify the source to ensure the eBook credibility. Can I read eBooks without an eReader? Absolutely! Most eBook platforms offer web-based readers or mobile apps that allow you to read eBooks on your computer, tablet, or smartphone. How do I avoid digital eye strain while reading eBooks? To prevent digital eye strain, take regular breaks, adjust the font size and background color, and ensure proper lighting while reading eBooks. What the advantage of interactive eBooks? Interactive eBooks incorporate multimedia elements, quizzes, and activities, enhancing the reader engagement and providing a more immersive learning experience. Down Load V8 Landrover Manual On Timing System is one of the best book in our library for free trial. We provide copy of Down Load V8 Landrover Manual On Timing System in digital format, so the resources that you find are reliable. There are also many Ebooks of related with Down Load V8 Landrover Manual On Timing System. Where to download Down Load V8 Landrover Manual On Timing System online for free? Are you looking for Down Load V8 Landrover Manual On Timing System PDF? This is definitely going to save you time and cash in something you should think about.

### Find Down Load V8 Landrover Manual On Timing System :

*marsh the sandman*

*lyrics justified theme song*

mark twain ii

**map skills word search**

**lynda dale chef**

[marigolds eugenia collier summary](#)

[lynching urban dictionary](#)

[maitland jones organic chemistry pdf](#)

[lyrics to alleluia sing to jesus](#)

**map r scores**

**mark twain middle school reviews**

[making money with algorithmic trading](#)

[lupus and histamine intolerance](#)

[magruder's american government 2016](#)

**making your own picture frames**

**Down Load V8 Landrover Manual On Timing System :**