

**GENERAL DIMENSIONS (Fig. 1)**

- A.** Overall Height (over Steering Wheel): 1486 mm (58.5 in.)  
**A<sub>1</sub>** Overall Height (over Exhaust): 2165 mm (85.2 in.)  
**B.** Overall Width: 1851 mm (85 in.)  
**C.** Overall Length: 3213 mm (126.5 in.)  
**D.** Wheelbase (without Spacer): 1892 mm (74.5 in.)

**Ground Clearance:**

- E.** Under Weight Frame (with Weights): 0-305 mm (12 in.)  
**F.** Ground Clearance (under Clutch Housing): 0-33 mm (1.3 in.)

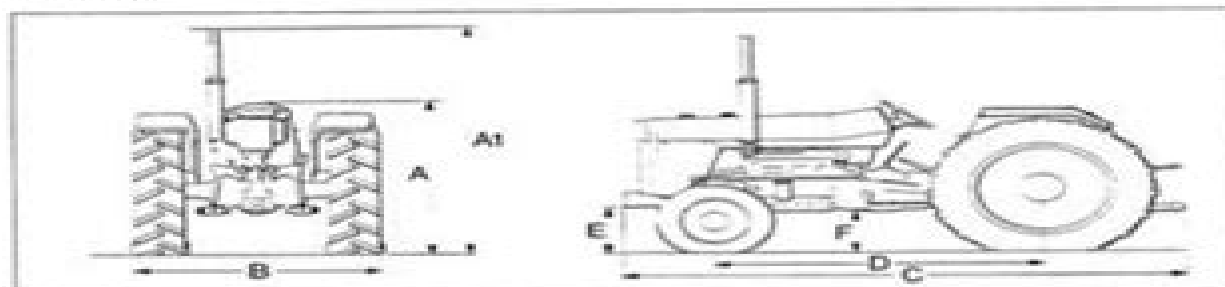
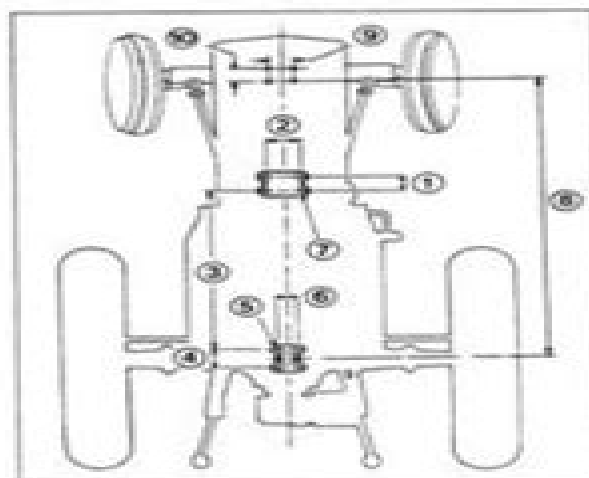
**Turning Circle:** 6,425 m (21-1 ft) Without Brakes;  
 5,857 m (19-25 ft) With Brakes

**Weight (with fuel, oil and water):** 1650 kg (3642 lb)

**Note:** The above dimensions are for a tractor fitted with 6-00-16 front tyres and 11-28 rear tyres at 1321 mm (52 in) and 1420 mm (56 in) track settings respectively.

**MOUNTING POINTS (Fig. 2)**

1. 101.6 mm (4 in.)
2. 184 mm (7 1/4 in.)
3. 1016 mm (40 1/4 in.)
4. 152.4 mm (6 in.)
5. 4 holes tap 7/8 in 10 UNC 3B x 28.6 mm (1 1/4 in) deep (blind)
6. 85.7 mm (3 3/8 in.)
7. 8 holes tap 7/8 in 11 UNC
8. 1831 mm (72 1/4 in.)
9. 152.4 mm (6 in.)
10. 114.3 mm (4 1/2 in.)

**FIG. 1****FIG. 2**

# **Massey Ferguson Tractors 240 Repair Manual**

**S Ben Porath**



# Massey Ferguson Tractors 240 Repair Manual

[envision mathematics common core 2020 2021 edreports](#) - Feb 23 2023

web learners to achieve the level of rigor required by the common core state standards have confidence that envisionmath common core realize edition is fully aligned to the

[envision mathematics k 5 2020 common core my savvas](#) - Jun 15 2022

web the common core concentrates on a clear set of math skills and concepts students will learn concepts in a more organized way both during the school year and across grades

[common core state standards for mathematics savvas](#) - Mar 24 2023

web dec 3 2020 the instructional materials reviewed for envision mathematics common core grade 3 5 meet expectations for alignment to the standards and usability the

[envision math common core standards correlation copy](#) - Oct 07 2021

*envision math common core 6 8 savvas learning company* - Apr 13 2022

web common core state standards for mathematics pearson en english deutsch français español português italiano român nederlands latina dansk svenska norsk magyar

*common core state standards for mathematics grades k 6* - Jan 22 2023

web a correlation of envisionmath common core to the common core state standards for mathematics 1 se student edition te teacher edition common core state

**a correlation of pearson education** - Aug 29 2023

web a reverse correlation of envision mathematics common core 2020 to the common core standards for mathematics kindergarten 7 envision mathematics common

[common core state standards for mathematics grade 4](#) - Nov 20 2022

web the instructional materials reviewed for envision mathematics common core grade 8 meet expectations for alignment to the ccsm the instructional materials meet

*common core state standards for mathematics pearson* - Jun 27 2023

web a correlation of envisionmath2 0 2016 to the common core state standards for mathematics 4 se student edition te teacher s edition common core state

*envision mathematics common core grade 8 2021 edreports* - Oct 19 2022

web envisionmath2 0 common core is a comprehensive mathematics curriculum for grades k 5 it offers the flexibility of print digital or blended instruction envisionmath2 0

[envision math common core k 5 savvas learning company](#) - Jul 16 2022

web now envision is even better with over 200 new lessons a newly redesigned teacher s edition and new instructional strategies like 3 act math modeling tasks educator

**envisionmath common core 2012 savvas formerly pearson** - Apr 25 2023

web a correlation of envisionmath common core to the common core state standards for mathematics 1 se student edition te teacher edition common core state

[envisionmath2 0 common core k 5 savvas learning company](#) - Sep 18 2022

web envisionmath common core was built to fully address the common core state standards for mathematics ccsm the program is organized by the same domains

**common core state standards for mathematics pearson** - May 26 2023

web request info correlations envisionmath common core scope and sequence grade k envisionmath common core correlation to the common core state standards

*envision math common core standards correlation copy* - Feb 11 2022

web california common core state standards california department of education 2013 envision mathematics 2020 national student edition grade 2 scott foresman 2018

[common core 2012 pearson education](#) - Dec 21 2022

web envisionmath2 0 is a comprehensive k 6 mathematics curriculum that provides the focus coherence and rigor required by the ccsm envisionmath2 0 offers a balanced

**envision math common core standards correlation copy** - Nov 08 2021

web envision math common core standards correlation below assessment sourcebook addison wesley educational publishers incorporated 1998 sourcebook contains end of

**common core state standards for mathematics pearson yumpu** - Mar 12 2022

web mathematics common core mathematics in a plc at work mar 14 2021 this teacher guide illustrates how to sustain successful implementation of the common core state

[envision math common core standards correlation](#) - Jan 10 2022

web jun 18 2023 envision math common core standards correlation by online you might not require more period to spend to go to the books commencement as competently as

**a reverse correlation of savvas** - Jul 28 2023

web envisionmath2 0 is a comprehensive k 6 mathematics curriculum that provides the focus coherence and rigor required by the ccsm envisionmath2 0 offers a balanced

[envision math common core standards correlation copy](#) - Dec 09 2021

web feb 19 2023 envision math common core standards correlation by online you might not require more time to spend to go to the book start as competently as search for them

[envisionmath common core 2015 pearson realize](#) - Aug 17 2022

web new k 5 envision mathematics common core is the only math program that combines problem based learning and visual learning to deepen students conceptual

[mathematics standards common core state standards initiative](#) - May 14 2022

web it s like nothing you ve seen it s problem based learning plus visual learning it s digital print and differentiated learning all new envision mathematics common core for

[category pattern 1914 enfield wikimedia commons](#) - Aug 03 2022

web nov 5 2020 rifle pattern 1914 enfield am 006960 jpg 2 600 1 200 454 kb rifle pattern 1914 enfield am006960 nobg png 2 700 1 200 1 44 mb the british army in normandy 1944 b8179 jpg 800 500 52 kb the british army in the normandy campaign 1944 b8178 jpg 800 504 59 kb the british army in the united kingdom 1939 45

**the british enfield rifles vol 4 the pattern 1914 and us model** - Nov 06 2022

web buy the british enfield rifles vol 4 the pattern 1914 and us model 1917 by charles r stratton online at alibris we have new and used copies available in 1 editions starting at 11 23 shop now

**pattern 1914 enfield internet movie firearms database** - Jan 28 2022

web the pattern 1914 enfield was a derivative of a rifle that originally began as a replacement for the smle in british army service it is a mauser type action with 2 forward locking lugs an external non rotating claw extractor and a staggered column box magazine contained entirely within the stock

**british enfield rifles vol 4 the pattern 1914 and u** - Dec 07 2022

web nov 1 2000 charles r stratton 4 25 8 ratings0 reviews at the start of world war i great britain was woefully short of small arms of all types the american firms of remington arms and winchester were asked to supply 1 1 million rifle according to a new pattern established in 1914

**british enfield rifles vol 4 the pattern 1914 and u s model** - Aug 15 2023

web nov 1 2000 paperback november 1 2000 at the start of world war i great britain was woefully short of small arms of all types the american firms of remington arms and winchester were asked to supply 1 1 million rifle according to a

**the british enfield rifles vol 4 the pattern 1914 and us model** - Oct 05 2022

web the british enfield rifles vol 4 the pattern 1914 and us model 1917 excellent condition like new condition like new pages 154 book condition very good cover paperback book series the british enfield rifles the pattern 1914 and us model 1917 topic rifles edition first edition isbn 9781882391295 publication year 2000 format

[british enfield rifles vol 4 the pattern 1914 and u s model](#) - Jul 02 2022

web british enfield rifles vol 4 the pattern 1914 and u s model 1917 enfield rifles vol 4 for collector s only ebook stratton charles r amazon com au kindle store

[pattern 1914 enfield wikiwand](#) - Dec 27 2021

web the rifle 303 pattern 1914 was a british service rifle of the first world war period principally manufactured under contract by companies in the united states it was a bolt action weapon with an integral 5 round magazine

[\*pattern 1914 enfield wikipedia\*](#) - May 12 2023

web the rifle 303 pattern 1914 or p14 was a british service rifle of the first world war period principally manufactured under contract by companies in the united states it was a bolt action weapon with an integral 5 round magazine

[\*i have this old gun pattern 1914 rifle youtube\*](#) - Mar 30 2022

web on this episode of i have this old gun the artv staff examines the history behind the british pattern 1914 rifle

[\*9788823991385 british enfield rifles vol 4 pattern 1914 and u\*](#) - Jun 13 2023

web british enfield rifles vol 4 pattern 1914 and u s model of 1917 by charles r stratton and a great selection of related books art and collectibles available now at abebooks co uk 9788823991385 british enfield rifles vol 4 pattern 1914 and u s model of 1917 by charles r stratton abebooks

**british enfield rifles vol 4 the pattern 1914 and u s model** - Apr 11 2023

web sep 26 2011 british enfield rifles volume 4 the pattern of 1914 and u s model of 1917 in its concisely written txt and clear illustrations it presents both an outline of the history and development of the various rifles having the same parent and also a detailed technical description of each rifle type covers the markings for al models and all

**british enfield rifles volume 4 pattern 1914 and us model of** - Feb 09 2023

web find many great new used options and get the best deals for british enfield rifles volume 4 pattern 1914 and us model of 1917 2nd edition at the best online prices at ebay free shipping for many products

[\*british enfield rifles vol 4 the pattern 1914 and u s model\*](#) - Sep 04 2022

web british enfield rifles vol 4 the pattern 1914 and u s model 1917 enfield rifles 14 95 only 1 left in stock add to basket sku 41683 categories books firearms description additional information

[british enfield rifles vol 4 the pattern 1914 and u s model](#) - Jan 08 2023

web british enfield rifles vol 4 the pattern 1914 and u s model 1917 enfield rifles vol 4 for collector s only ebook stratton

charles r amazon co uk kindle store

*amazon com customer reviews british enfield rifles vol 4 the* - Apr 30 2022

web find helpful customer reviews and review ratings for british enfield rifles vol 4 the pattern 1914 and u s model 1917 enfield rifles vol 4 for collector s only at amazon com read honest and unbiased product reviews from our users

enfield pattern 1914 rifle 303 pattern 1914 military factory - Feb 26 2022

web may 24 2018 infantry small arms the warfighter enfield pattern 1914 rifle 303 pattern 1914 bolt action service rifle sniper rifle 1914 the enfield pattern 1914 rifle began its service career during the great war and managed an existence up until the beginning of the cold war period

the british enfield rifles vol 4 the pattern 1914 and us model - Mar 10 2023

web buy the british enfield rifles vol 4 the pattern 1914 and us model 1917 the british enfield rifles the pattern 1914 and us model 1917 by stratton charles r isbn 9781882391295 from amazon s book store everyday low

**british enfield rifles vol 4 pattern 1914 and u s model of 1917** - Jul 14 2023

web often called the american enfield the pattern 1914 in 303 caliber was the only british military rifle ever built wholly in the united states even though it was designed by the engineers at enfield arsenal in england the u s model 1917 was the same rifle but rechambered for the american 30 06 cartridge

**british enfield rifles volume 4 the pattern 1914 u s model of 1917** - Jun 01 2022

web by charles stratton a systematic examination on a part by part basis of the famous british rifle includes parts codes markings finishes and model

**el arte de tocar el saxofón the art of saxophone playing** - Jul 14 2023

web oct 11 1999 el arte de tocar el saxofón the art of saxophone playing spanish language larry teal raúl gutierrez google books el arte de tocar el saxofón the art of

**el arte de tocar el saxofón saxophone book alfred music** - Jan 08 2023

web description this classic supplement book for the saxophone has helped instrumentalists everywhere for over 30 years and now it s available in a spanish language translation all the necessary skills needed to bring the player up from beginner to artist are clearly stated by master saxophonist larry teal sample pages additional information

free el arte de tocar el saxofon the art of saxophone p - Mar 30 2022

web el arte de tocar el saxofon the art of saxophone p right here we have countless ebook el arte de tocar el saxofon the art of saxophone p and collections to check out we additionally present variant types and as well as

**el arte de tocar el saxofon the art of saxophone p** - Jul 02 2022

web en un singular recorrido que conducirá al lector desde los albores de la humanidad hasta nuestros días alessandro

pierozzi lleva a cabo un dilatado y emocionante viaje en busca de la historia desarrollo y repercusión de los medios por los que la música se hace escuchar los instrumentos musicales técnica construcción acústica

[el arte de tocar el saxofon the art of saxophone p richard k](#) - Dec 27 2021

web arte de tocar el saxofon the art of saxophone p can be taken as with ease as picked to act the compact edition of the oxford english dictionary complete text reproduced micrographically p z supplement and bibliography 1971 micrographic reproduction of the 13 volume oxford english dictionary published in 1933

**el arte de tocar el saxofon the art of saxophone playing** - Sep 04 2022

web el arte de tocar el saxofon the art of saxophone playing spanish language edition de teal larry gutierrez raúl en iberlibro com isbn 10 0874879965 isbn 13 9780874879964 alfred publishing company inc 1997 tapa blanda

[el arte de tocar el saxofon the art of saxophone p download](#) - Feb 26 2022

web el arte de tocar el violín el arte de tocar el saxofon the art of saxophone p downloaded from a3 phasescientific com by guest tanya nathan ya no hablamos de lo mismo grupo planeta gbs this classic supplementary book provides all the necessary skills needed to bring a player up from a beginner to an advanced musician

**pdf el arte de tocar el saxofon erkim davie academia edu** - Oct 05 2022

web download pdf fel arte de tocar el saxofon f book description el arte de tocar el saxofon read ebook online pdf epub kindle el arte de tocar el saxofon pdf el arte de tocar el saxofon read online el arte de tocar el saxofon epub el arte de tocar el saxofon vk el arte de tocar el saxofon pdf el arte de tocar el saxofon amazon el

[el arte de tocar el saxofon the art of saxophone playing](#) - Jun 13 2023

web el arte de tocar el saxofon the art of saxophone playing spanish language edition teal larry gutierrez raúl amazon es libros

**el arte de tocar el saxofon sheet music plus** - Dec 07 2022

web shop and buy el arte de tocar el saxofon sheet music saxophone sheet music book by spanish translation by raul gutierrez and larry teal alfred music at sheet music plus ap 0996

[amazon com tr müşteri yorumları el arte de tocar el saxofón the art](#) - Mar 10 2023

web amazon com tr sitesinde el arte de tocar el saxofón the art of saxophone playing spanish language edition ürünü için faydalı müşteri yorumlarını ve derecelendirmeleri bulabilirsiniz kullanıcılarımızın samimi ve tarafsız ürün yorumlarını okuyun

[el arte de tocar el saxofón larry teal raúl gutierrez google](#) - Aug 15 2023

web this classic supplement book for the saxophone has helped instrumentalists everywhere for over 30 years and now it s available in a spanish language translation all the necessary skills needed

[el arte de tocar el saxofón the art of saxophone playing](#) - Aug 03 2022



web amazon estados unidos vendido por amazon estados unidos tienes uno para vender vender en amazon ver esta imagen el arte de tocar el saxofón the art of saxophone playing spanish language edition 0 pasta blanda illustrated 1 marzo 1997 por larry teal autor raúl gutierrez autor 4 2 19 calificaciones ver todos los formatos y ediciones

[el arte de tocar el saxofón the art of saxophone playing](#) - May 12 2023

web mar 1 1997 el arte de tocar el saxofón the art of saxophone playing spanish language edition the art of series spanish edition teal larry gutierrez raúl on amazon com free shipping on qualifying offers

[el arte de tocar el saxofon the art of saxophone p harry r](#) - Apr 30 2022

web it is your unquestionably own grow old to measure reviewing habit along with guides you could enjoy now is el arte de tocar el saxofon the art of saxophone p below visão 1985 what s going on wilfried raussert 2021 01 07 this book begins from the premise that we are living in an age in which the social is in a continuous process of

[el arte de tocar el saxofon the art of saxophone p](#) - Jan 28 2022

web their computer el arte de tocar el saxofon the art of saxophone p is simple in our digital library an online right of entry to it is set as public thus you can download it instantly our digital library saves in multipart countries allowing you to acquire the most less latency epoch to download any of our books when this one merely said the

**el arte de tocar el saxofón the art of saxophone playing** - Nov 06 2022

web el arte de tocar el saxofón the art of saxophone playing spanish language edition the art of series ebook teal larry gutierrez raúl amazon es libros

**gratis el arte de tocar el saxofón the art of saxophone** - Jun 01 2022

web oct 26 2020 el arte de tocar el saxofon art of firebase el arte de tocar el saxofon art of larry teal raul gutierrez the art of saxophone playing spanish language edition by larry teal spanish translation by raúlgutierrez this classic supplement book for the saxophone has helped instrumentalists everywhere for over 30 years and now its available in a

[amazon com el arte de tocar el saxofón the art of saxophone](#) - Feb 09 2023

web el arte de tocar el saxofón the art of saxophone playing spanish language edition the art of series spanish edition tapa blanda ilustrado 1 marzo 1997 edición en español larry teal author raúl gutierrez author 4 2 de 5

**el arte de tocar el saxofón the art of saxophone playing** - Apr 11 2023

web el arte de tocar el saxofón the art of saxophone playing spanish language edition teal larry gutierrez raúl amazon com tr kitap

## Whispering the Secrets of Language: An Psychological Quest through **Massey Ferguson Tractors 240 Repair Manual**

In a digitally-driven world where displays reign supreme and instant interaction drowns out the subtleties of language, the profound techniques and mental subtleties concealed within words usually get unheard. Yet, nestled within the pages of **Massey Ferguson Tractors 240 Repair Manual** a fascinating fictional value pulsating with raw thoughts, lies an exceptional journey waiting to be undertaken. Composed by a talented wordsmith, that wonderful opus invites viewers on an introspective trip, softly unraveling the veiled truths and profound impact resonating within the cloth of every word. Within the psychological depths of this touching evaluation, we shall embark upon a sincere exploration of the book is key styles, dissect their captivating publishing type, and succumb to the powerful resonance it evokes heavy within the recesses of readers hearts.

[https://offsite.creighton.edu/files/virtual-library/Documents/hyundai\\_timing\\_belt\\_replacement\\_cost.pdf](https://offsite.creighton.edu/files/virtual-library/Documents/hyundai_timing_belt_replacement_cost.pdf)

[https://offsite.creighton.edu/files/virtual-library/Documents/how\\_to\\_write\\_a\\_legal\\_thriller.pdf](https://offsite.creighton.edu/files/virtual-library/Documents/how_to_write_a_legal_thriller.pdf)

[https://offsite.creighton.edu/files/virtual-library/Documents/icc\\_inspector\\_lookup.pdf](https://offsite.creighton.edu/files/virtual-library/Documents/icc_inspector_lookup.pdf)

### **Table of Contents Massey Ferguson Tractors 240 Repair Manual**

1. Understanding the eBook Massey Ferguson Tractors 240 Repair Manual
  - The Rise of Digital Reading Massey Ferguson Tractors 240 Repair Manual
  - Advantages of eBooks Over Traditional Books
2. Identifying Massey Ferguson Tractors 240 Repair Manual
  - Exploring Different Genres
  - Considering Fiction vs. Non-Fiction
  - Determining Your Reading Goals

3. Choosing the Right eBook Platform
  - Popular eBook Platforms
  - Features to Look for in an Massey Ferguson Tractors 240 Repair Manual
  - User-Friendly Interface
4. Exploring eBook Recommendations from Massey Ferguson Tractors 240 Repair Manual
  - Personalized Recommendations
  - Massey Ferguson Tractors 240 Repair Manual User Reviews and Ratings
  - Massey Ferguson Tractors 240 Repair Manual and Bestseller Lists
5. Accessing Massey Ferguson Tractors 240 Repair Manual Free and Paid eBooks
  - Massey Ferguson Tractors 240 Repair Manual Public Domain eBooks
  - Massey Ferguson Tractors 240 Repair Manual eBook Subscription Services
  - Massey Ferguson Tractors 240 Repair Manual Budget-Friendly Options
6. Navigating Massey Ferguson Tractors 240 Repair Manual eBook Formats
  - ePub, PDF, MOBI, and More
  - Massey Ferguson Tractors 240 Repair Manual Compatibility with Devices
  - Massey Ferguson Tractors 240 Repair Manual Enhanced eBook Features
7. Enhancing Your Reading Experience
  - Adjustable Fonts and Text Sizes of Massey Ferguson Tractors 240 Repair Manual
  - Highlighting and Note-Taking Massey Ferguson Tractors 240 Repair Manual
  - Interactive Elements Massey Ferguson Tractors 240 Repair Manual
8. Staying Engaged with Massey Ferguson Tractors 240 Repair Manual
  - Joining Online Reading Communities
  - Participating in Virtual Book Clubs
  - Following Authors and Publishers Massey Ferguson Tractors 240 Repair Manual
9. Balancing eBooks and Physical Books Massey Ferguson Tractors 240 Repair Manual
  - Benefits of a Digital Library
  - Creating a Diverse Reading Collection Massey Ferguson Tractors 240 Repair Manual
10. Overcoming Reading Challenges
  - Dealing with Digital Eye Strain
  - Minimizing Distractions

- Managing Screen Time
- 11. Cultivating a Reading Routine Massey Ferguson Tractors 240 Repair Manual
  - Setting Reading Goals Massey Ferguson Tractors 240 Repair Manual
  - Carving Out Dedicated Reading Time
- 12. Sourcing Reliable Information of Massey Ferguson Tractors 240 Repair Manual
  - Fact-Checking eBook Content of Massey Ferguson Tractors 240 Repair Manual
  - Distinguishing Credible Sources
- 13. Promoting Lifelong Learning
  - Utilizing eBooks for Skill Development
  - Exploring Educational eBooks
- 14. Embracing eBook Trends
  - Integration of Multimedia Elements
  - Interactive and Gamified eBooks

### **Massey Ferguson Tractors 240 Repair Manual Introduction**

Free PDF Books and Manuals for Download: Unlocking Knowledge at Your Fingertips In today's fast-paced digital age, obtaining valuable knowledge has become easier than ever. Thanks to the internet, a vast array of books and manuals are now available for free download in PDF format. Whether you are a student, professional, or simply an avid reader, this treasure trove of downloadable resources offers a wealth of information, conveniently accessible anytime, anywhere. The advent of online libraries and platforms dedicated to sharing knowledge has revolutionized the way we consume information. No longer confined to physical libraries or bookstores, readers can now access an extensive collection of digital books and manuals with just a few clicks. These resources, available in PDF, Microsoft Word, and PowerPoint formats, cater to a wide range of interests, including literature, technology, science, history, and much more. One notable platform where you can explore and download free Massey Ferguson Tractors 240 Repair Manual PDF books and manuals is the internet's largest free library. Hosted online, this catalog compiles a vast assortment of documents, making it a veritable goldmine of knowledge. With its easy-to-use website interface and customizable PDF generator, this platform offers a user-friendly experience, allowing individuals to effortlessly navigate and access the information they seek. The availability of free PDF books and manuals on this platform demonstrates its commitment to democratizing education and empowering individuals with the tools needed to succeed in their chosen fields. It allows anyone, regardless of their background or financial limitations, to expand their horizons and gain insights from experts in various disciplines. One of the most significant

advantages of downloading PDF books and manuals lies in their portability. Unlike physical copies, digital books can be stored and carried on a single device, such as a tablet or smartphone, saving valuable space and weight. This convenience makes it possible for readers to have their entire library at their fingertips, whether they are commuting, traveling, or simply enjoying a lazy afternoon at home. Additionally, digital files are easily searchable, enabling readers to locate specific information within seconds. With a few keystrokes, users can search for keywords, topics, or phrases, making research and finding relevant information a breeze. This efficiency saves time and effort, streamlining the learning process and allowing individuals to focus on extracting the information they need. Furthermore, the availability of free PDF books and manuals fosters a culture of continuous learning. By removing financial barriers, more people can access educational resources and pursue lifelong learning, contributing to personal growth and professional development. This democratization of knowledge promotes intellectual curiosity and empowers individuals to become lifelong learners, promoting progress and innovation in various fields. It is worth noting that while accessing free Massey Ferguson Tractors 240 Repair Manual PDF books and manuals is convenient and cost-effective, it is vital to respect copyright laws and intellectual property rights. Platforms offering free downloads often operate within legal boundaries, ensuring that the materials they provide are either in the public domain or authorized for distribution. By adhering to copyright laws, users can enjoy the benefits of free access to knowledge while supporting the authors and publishers who make these resources available. In conclusion, the availability of Massey Ferguson Tractors 240 Repair Manual free PDF books and manuals for download has revolutionized the way we access and consume knowledge. With just a few clicks, individuals can explore a vast collection of resources across different disciplines, all free of charge. This accessibility empowers individuals to become lifelong learners, contributing to personal growth, professional development, and the advancement of society as a whole. So why not unlock a world of knowledge today? Start exploring the vast sea of free PDF books and manuals waiting to be discovered right at your fingertips.

### **FAQs About Massey Ferguson Tractors 240 Repair Manual Books**

How do I know which eBook platform is the best for me? Finding the best eBook platform depends on your reading preferences and device compatibility. Research different platforms, read user reviews, and explore their features before making a choice. Are free eBooks of good quality? Yes, many reputable platforms offer high-quality free eBooks, including classics and public domain works. However, make sure to verify the source to ensure the eBook credibility. Can I read eBooks without an eReader? Absolutely! Most eBook platforms offer webbased readers or mobile apps that allow you to read eBooks on your computer, tablet, or smartphone. How do I avoid digital eye strain while reading eBooks? To prevent digital eye strain, take regular breaks, adjust the font size and background color, and ensure proper lighting while reading eBooks.

What the advantage of interactive eBooks? Interactive eBooks incorporate multimedia elements, quizzes, and activities, enhancing the reader engagement and providing a more immersive learning experience. Massey Ferguson Tractors 240 Repair Manual is one of the best book in our library for free trial. We provide copy of Massey Ferguson Tractors 240 Repair Manual in digital format, so the resources that you find are reliable. There are also many Ebooks of related with Massey Ferguson Tractors 240 Repair Manual. Where to download Massey Ferguson Tractors 240 Repair Manual online for free? Are you looking for Massey Ferguson Tractors 240 Repair Manual PDF? This is definitely going to save you time and cash in something you should think about. If you trying to find then search around for online. Without a doubt there are numerous these available and many of them have the freedom. However without doubt you receive whatever you purchase. An alternate way to get ideas is always to check another Massey Ferguson Tractors 240 Repair Manual. This method for see exactly what may be included and adopt these ideas to your book. This site will almost certainly help you save time and effort, money and stress. If you are looking for free books then you really should consider finding to assist you try this. Several of Massey Ferguson Tractors 240 Repair Manual are for sale to free while some are payable. If you arent sure if the books you would like to download works with for usage along with your computer, it is possible to download free trials. The free guides make it easy for someone to free access online library for download books to your device. You can get free download on free trial for lots of books categories. Our library is the biggest of these that have literally hundreds of thousands of different products categories represented. You will also see that there are specific sites catered to different product types or categories, brands or niches related with Massey Ferguson Tractors 240 Repair Manual. So depending on what exactly you are searching, you will be able to choose e books to suit your own need. Need to access completely for Campbell Biology Seventh Edition book? Access Ebook without any digging. And by having access to our ebook online or by storing it on your computer, you have convenient answers with Massey Ferguson Tractors 240 Repair Manual To get started finding Massey Ferguson Tractors 240 Repair Manual, you are right to find our website which has a comprehensive collection of books online. Our library is the biggest of these that have literally hundreds of thousands of different products represented. You will also see that there are specific sites catered to different categories or niches related with Massey Ferguson Tractors 240 Repair Manual So depending on what exactly you are searching, you will be able tochoose ebook to suit your own need. Thank you for reading Massey Ferguson Tractors 240 Repair Manual. Maybe you have knowledge that, people have search numerous times for their favorite readings like this Massey Ferguson Tractors 240 Repair Manual, but end up in harmful downloads. Rather than reading a good book with a cup of coffee in the afternoon, instead they juggled with some harmful bugs inside their laptop. Massey Ferguson Tractors 240 Repair Manual is available in our book collection an online access to it is set as public so you can download it instantly. Our digital library spans in multiple locations, allowing you to get the most less latency time to download any of our books like this one. Merely said, Massey Ferguson Tractors 240 Repair Manual is universally compatible

with any devices to read.

**Find Massey Ferguson Tractors 240 Repair Manual :**

[hyundai timing belt replacement cost](#)

[how to write a legal thriller](#)

[icc inspector lookup](#)

[iconic chevy colors](#)

[il cibo e vita](#)

**i am unrivaled in the mysterious game**

[human anatomy study guide](#)

[how to write a 10 minute play](#)

**hymn of promise pdf**

**hydroponics systems diy**

[ibclc practice exam free](#)

[ideal gas constant calculator](#)

[i am malala full book](#)

[hubble telescope hand of god](#)

[i'm in love with monster](#)

**Massey Ferguson Tractors 240 Repair Manual :**